



US00D989268S

(12) **United States Design Patent**
He et al.

(10) **Patent No.:** **US D989,268 S**
(45) **Date of Patent:** **** Jun. 13, 2023**

(54) **FAN HEATER**

(71) Applicant: **JIANGMEN KEYE ELECTRIC APPLIANCES MANUFACTURING CO., LTD**, Jiangmen (CN)

(72) Inventors: **Xiangming He**, Jiangmen (CN);
Guanglian Lin, Jiangmen (CN)

(73) Assignee: **JIANGMEN KEYE ELECTRIC APPLIANCES MANUFACTURING CO., LTD**, Jiangmen (CN)

(**) Term: **15 Years**

(21) Appl. No.: **29/771,858**

(22) Filed: **Feb. 25, 2021**

(30) **Foreign Application Priority Data**

Jan. 29, 2021 (CN) 202130066550.4

(51) **LOC (14) Cl.** **23-03**

(52) **U.S. Cl.**
USPC **D23/335; D23/336; D23/337; D23/382**

(58) **Field of Classification Search**
USPC **D23/328, 332-337, 355-356, 370, 378, D23/380-383**
CPC **F04D 25/0673; F04D 25/08; F04D 25/084; F04D 25/086**
See application file for complete search history.

(56) **References Cited**

U.S. PATENT DOCUMENTS

1,743,566 A * 1/1930 Packeritz F24C 7/065
219/460.1
D84,389 S * 6/1931 Ajax D23/337

D175,239 S * 7/1955 Theisen D23/336
D358,873 S * 5/1995 Pelonis D23/332
D503,220 S * 3/2005 Kim D23/332
D562,442 S * 2/2008 Blateri D23/382
D594,545 S * 6/2009 Blateri D23/382
D779,647 S * 2/2017 Burton D23/370
D958,959 S * 7/2022 Kim D23/370
D973,187 S * 12/2022 Zheng D23/336

* cited by examiner

Primary Examiner — Sharon S Oum

(74) *Attorney, Agent, or Firm* — Innovation Capital Law Group, LLP; Vic Lin

(57) **CLAIM**

The ornamental design for a fan heater, as shown and described.

DESCRIPTION

FIG. 1 is a front elevation view of a fan heater, showing our new design, with rear grille features removed for clarity of disclosure;

FIG. 2 is a rear elevation view of the fan heater, with front grille features and the diamond mesh feature removed for clarity of disclosure;

FIG. 3 is a right elevation view of the fan heater;

FIG. 4 is a left elevation view of the fan heater;

FIG. 5 is a top plan view of the fan heater;

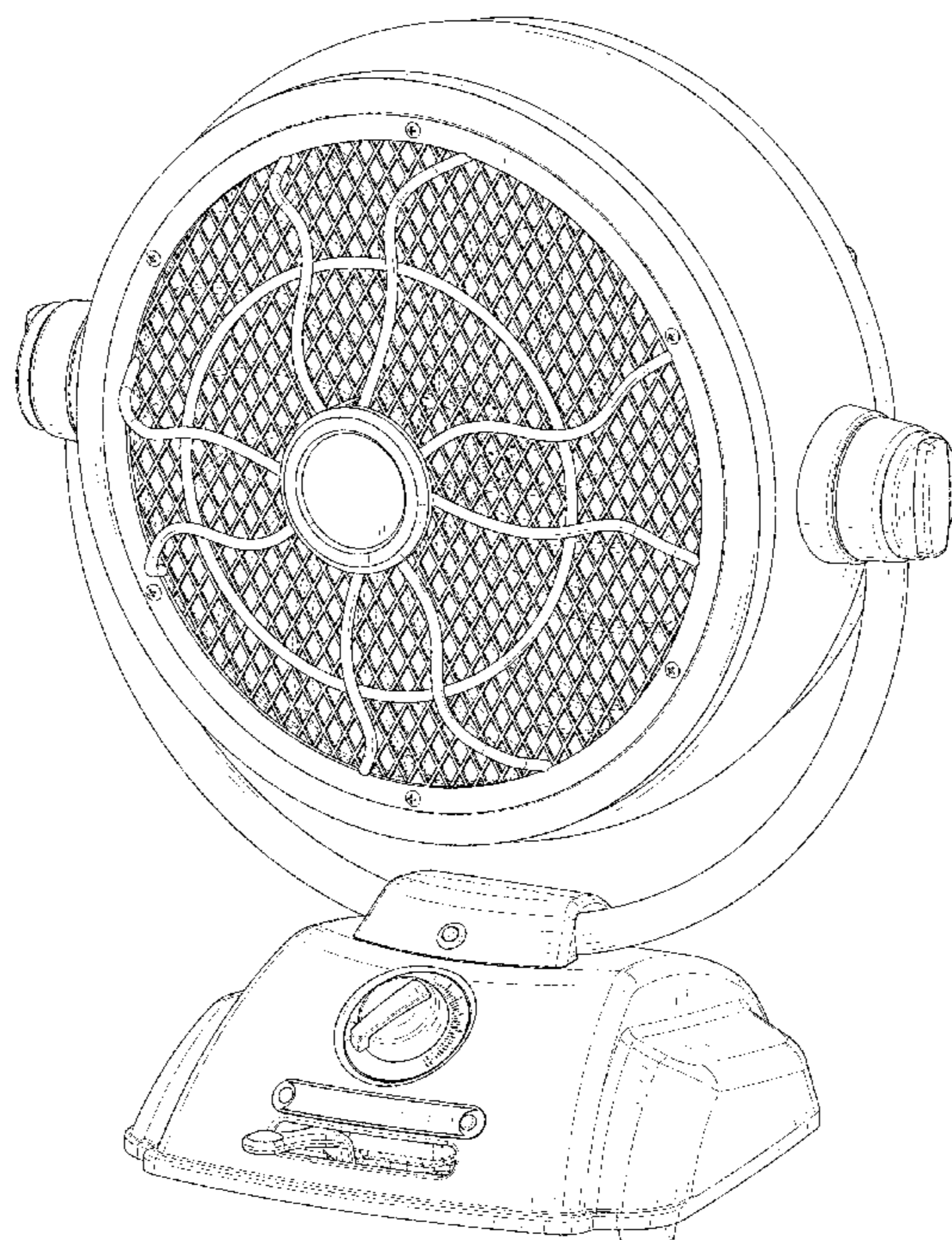
FIG. 6 is a bottom plan view of the fan heater;

FIG. 7 is a front perspective view of FIG. 1; and,

FIG. 8 is a rear perspective view of FIG. 2.

The broken lines in the FIGURES show portions of the fan heater, which form no part of the claimed design.

1 Claim, 8 Drawing Sheets



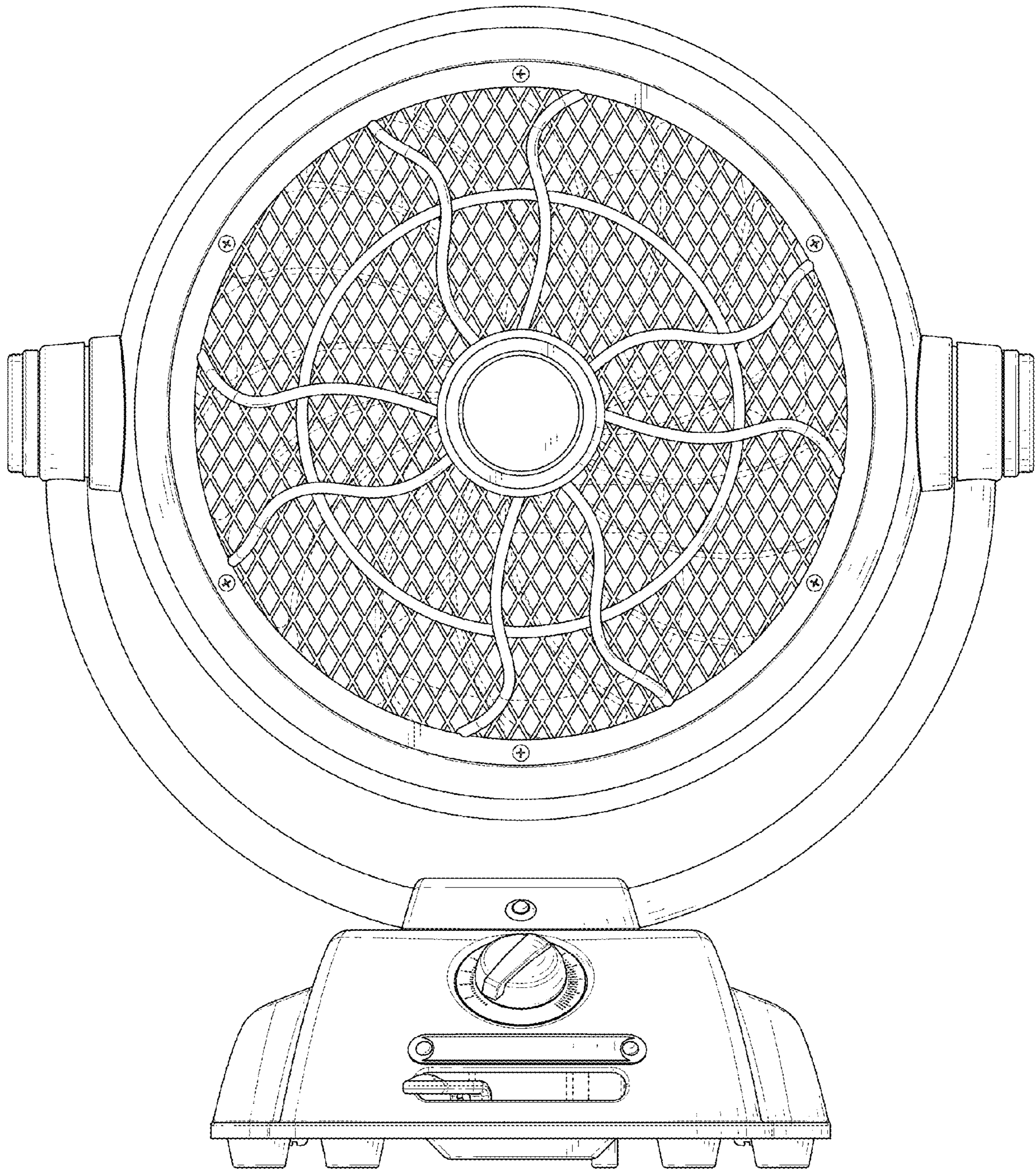


FIG. 1

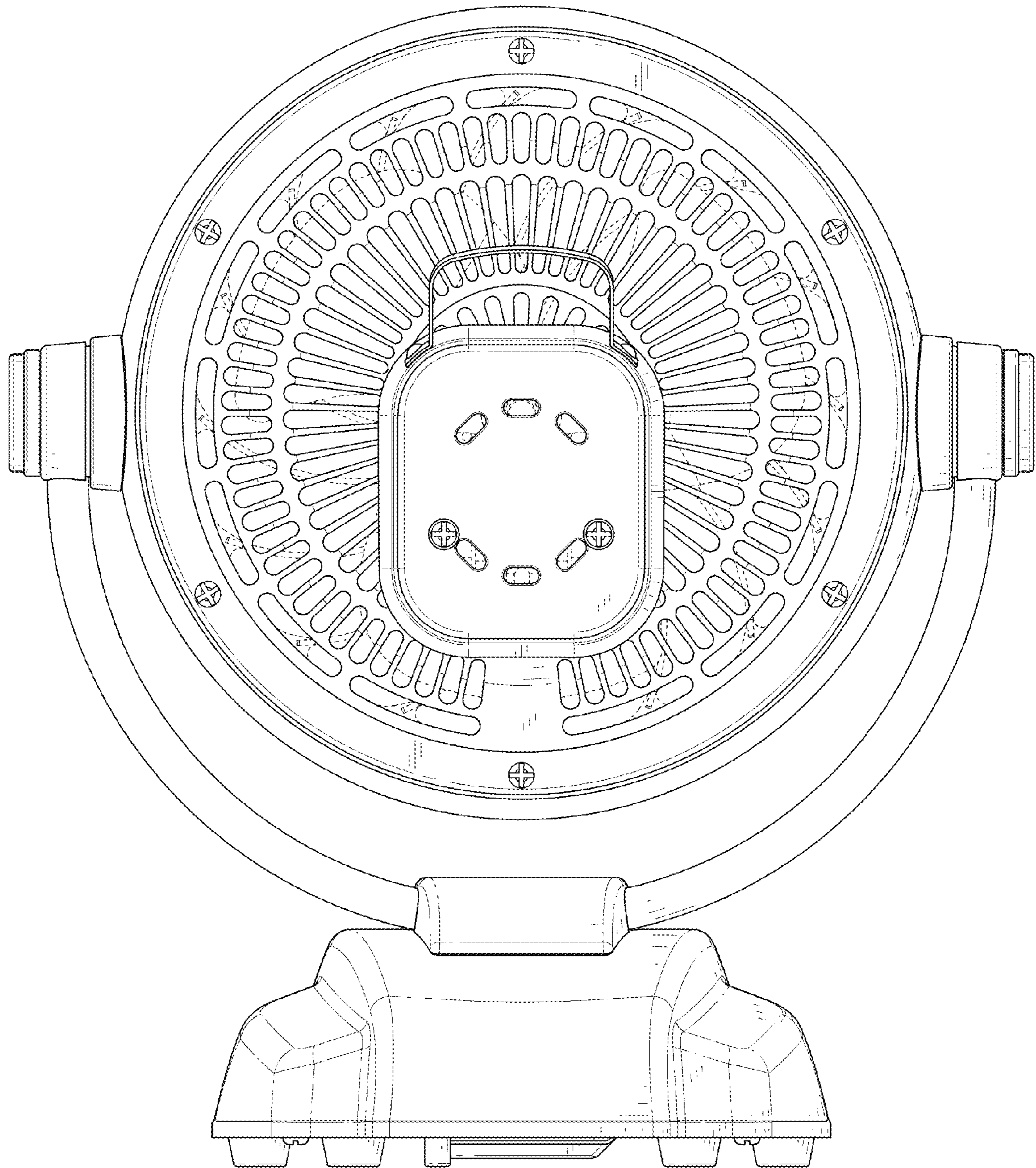


FIG. 2

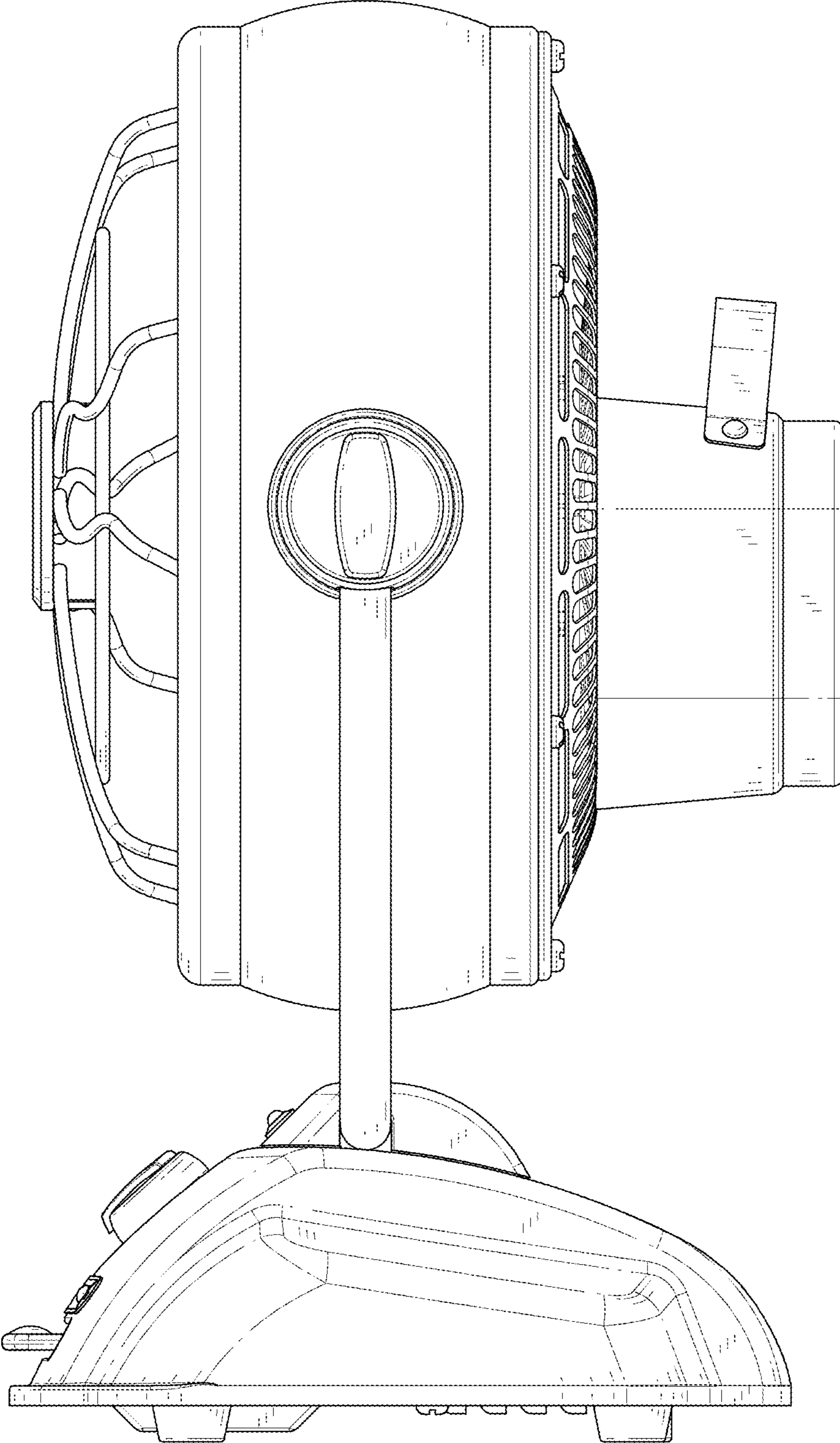


FIG. 3

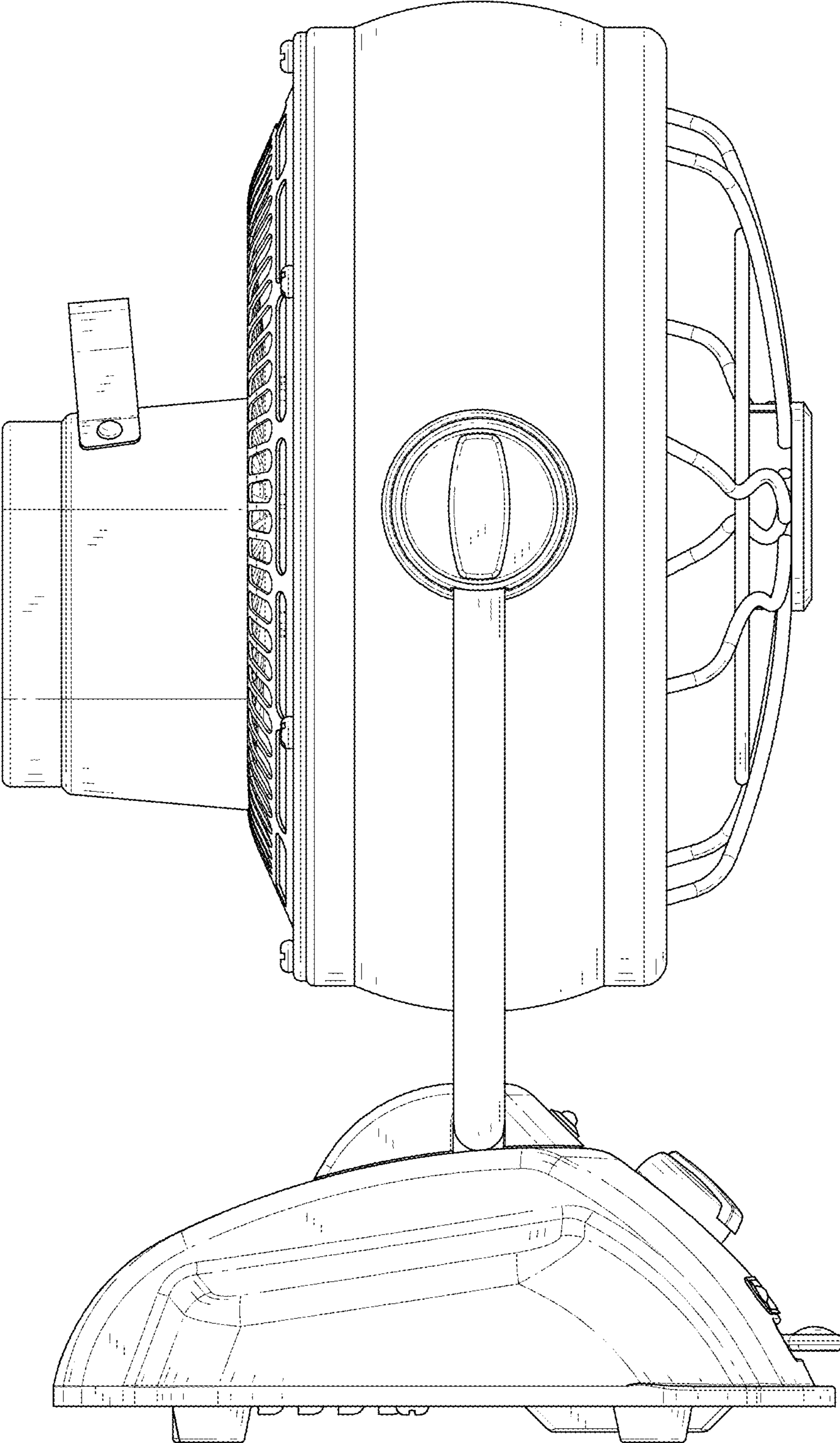


FIG. 4

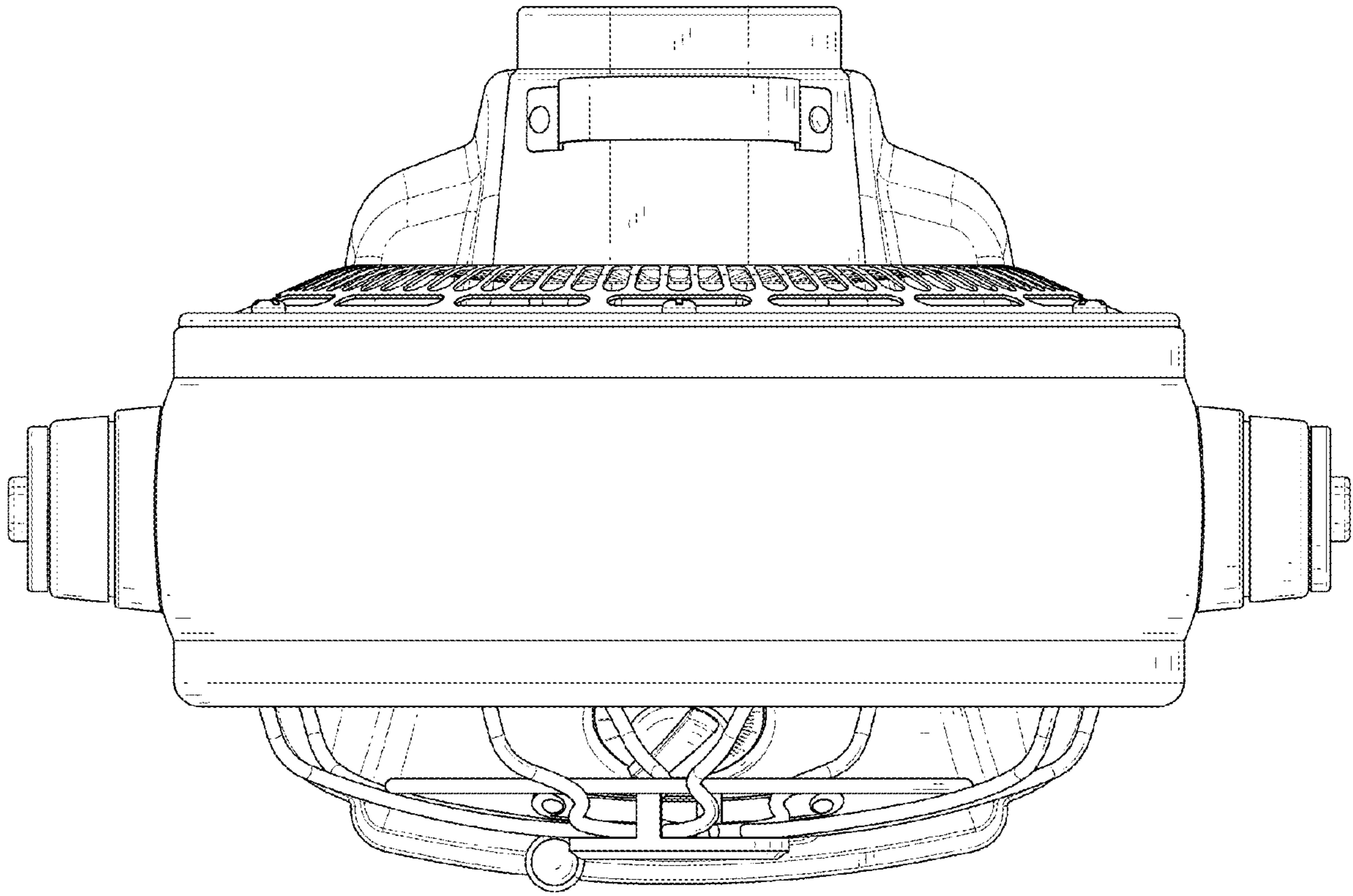


FIG. 5

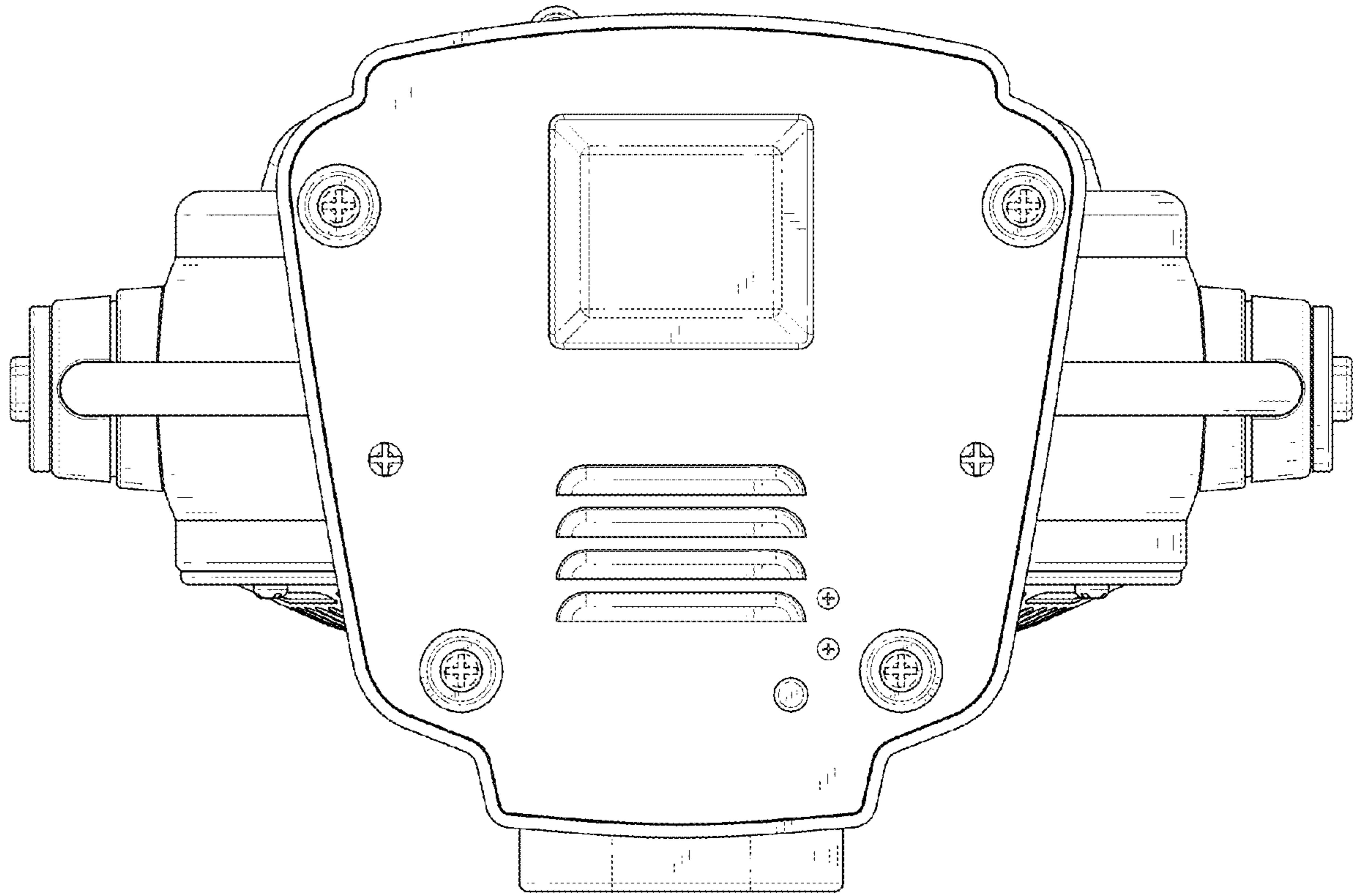


FIG. 6

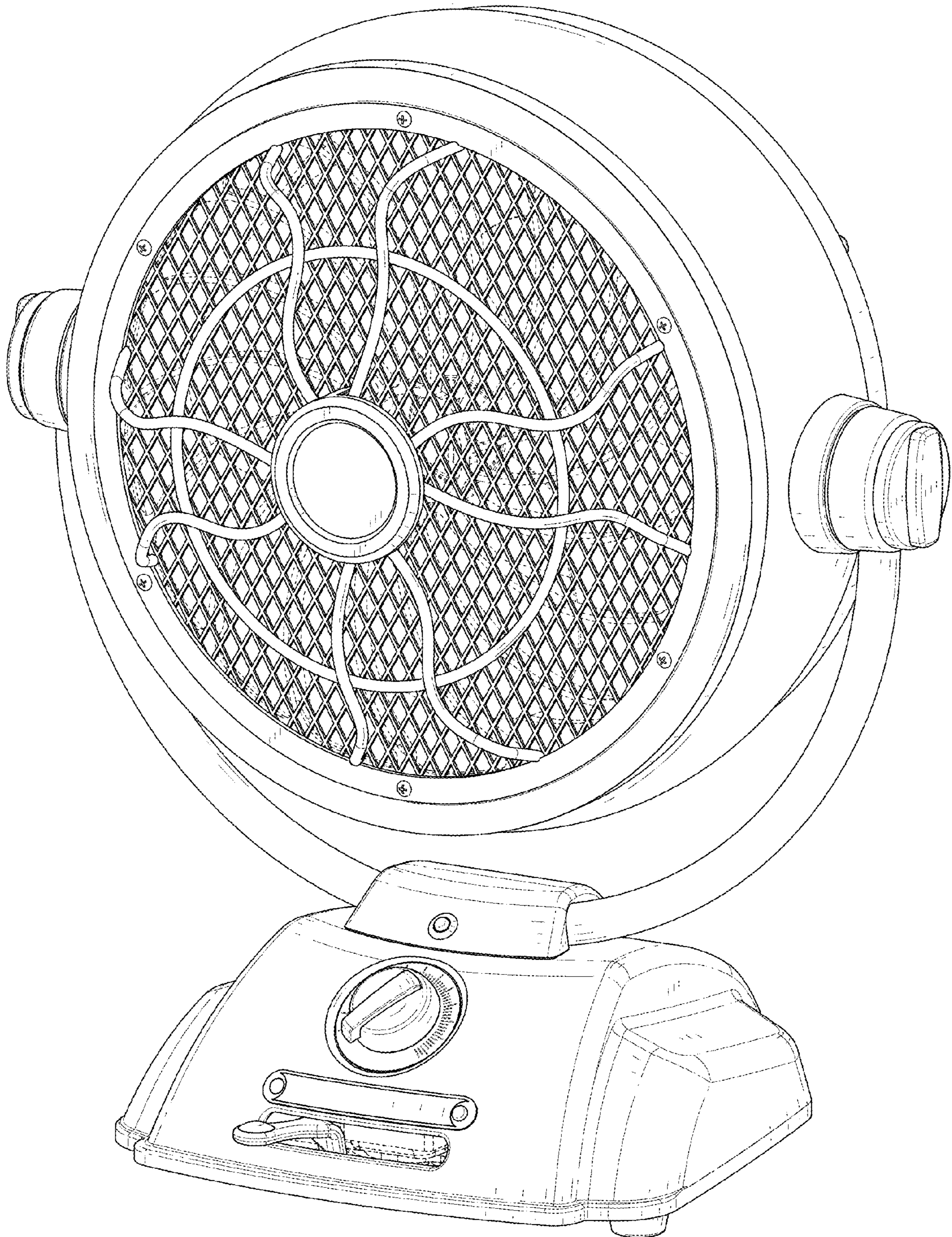


FIG. 7

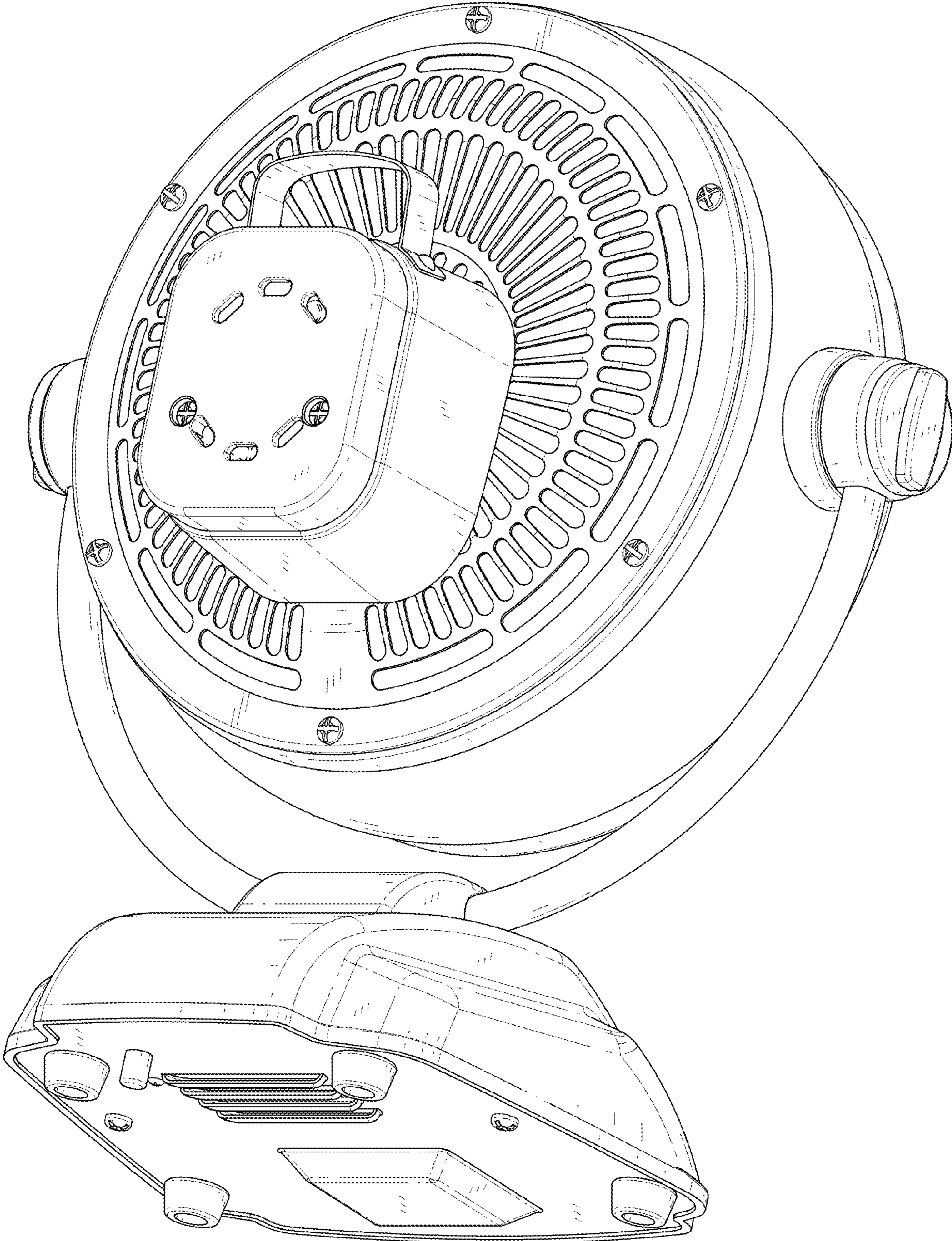


FIG. 8