



US00D989266S

(12) **United States Design Patent** (10) **Patent No.:** **US D989,266 S**
Garcia Neila et al. (45) **Date of Patent:** **** Jun. 13, 2023**

(54) **AIR FRESHENER**

(56) **References Cited**

(71) Applicant: **ZOBELE HOLDING SPA**, Trento (IT)

U.S. PATENT DOCUMENTS

(72) Inventors: **Carla Garcia Neila**, Barcelona (ES);
Joaquim Llorente Alonso, Barcelona (ES)

D826,390	S	*	8/2018	Brandenburg	D23/366
D849,221	S	*	5/2019	Brandenburg	D23/366
D850,599	S	*	6/2019	Gobber	D23/368
D850,600	S	*	6/2019	Gobber	D23/368
D900,990	S	*	11/2020	Kim	D23/366
D913,470	S	*	3/2021	Kim	D23/366
D935,592	S	*	11/2021	Gobber	D23/366
2015/0217017	A1	*	8/2015	Venisti	A61L 9/12 239/55
2017/0170858	A1	*	6/2017	Tiller	H04B 1/3877

(73) Assignee: **ZOBELE HOLDING SPA**, Trento (IT)

(**) Term: **15 Years**

* cited by examiner

(21) Appl. No.: **29/786,723**

(22) Filed: **Jun. 2, 2021**

Primary Examiner — Gino Colan

Assistant Examiner — David OBrien

(30) **Foreign Application Priority Data**

Dec. 2, 2020 (ES) D0532343

(74) *Attorney, Agent, or Firm* — Amster, Rothstein & Ebenstein LLP

(51) **LOC (14) Cl.** **23-04**

(57) **CLAIM**

The ornamental design for an air freshener, as shown and described.

(52) **U.S. Cl.**

USPC **D23/368**

DESCRIPTION

(58) **Field of Classification Search**

USPC D23/213, 332, 333, 336, 355–369, 370,
D23/386, 388; D26/26, 40, 46, 49, 97,
D26/123, 124; D14/125, 195, 204, 221,
D14/228, 253, 348, 358, 496; D12/415;
D3/211; D15/5

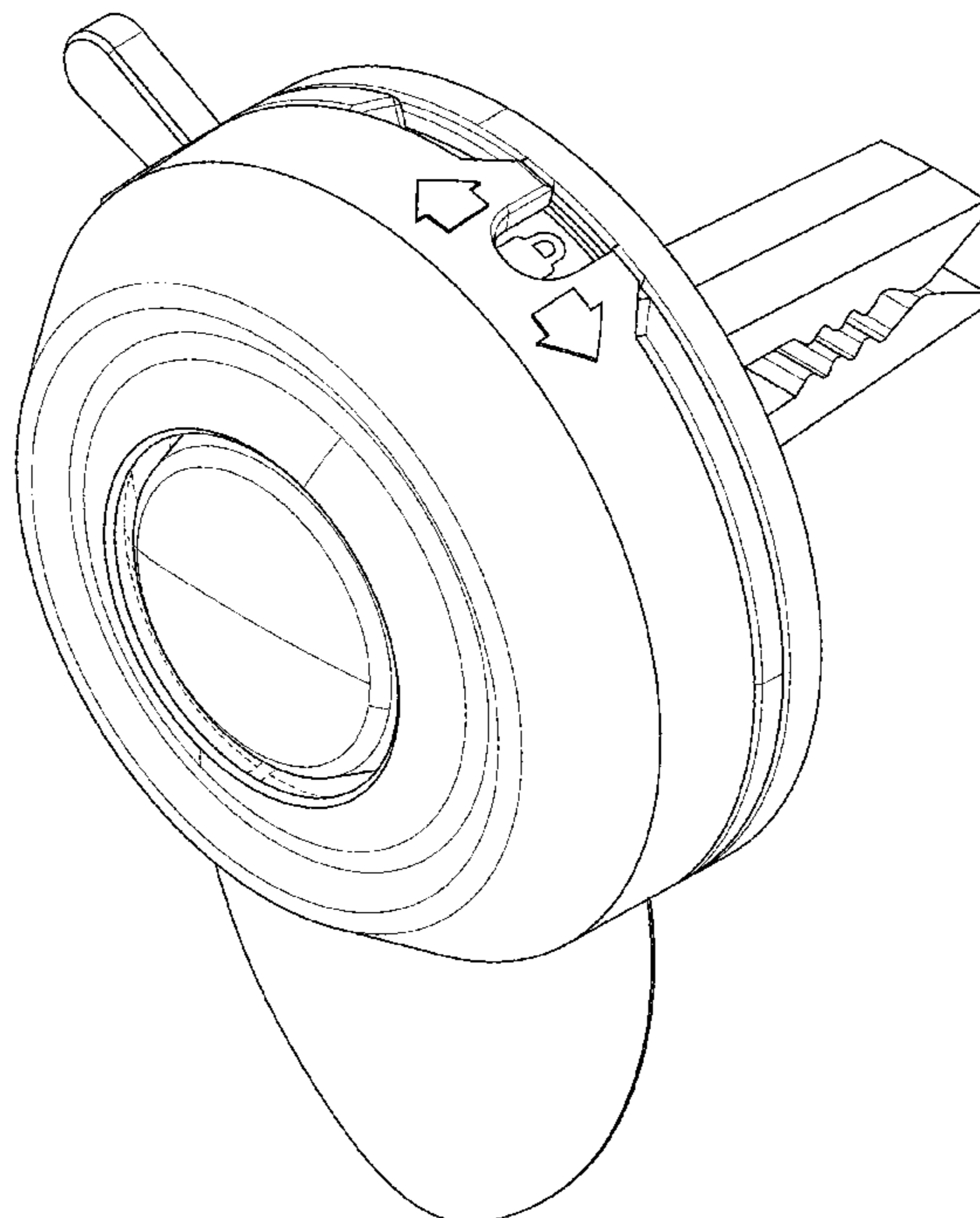
FIG. 1 is a perspective view of an air freshener showing our new design;
FIG. 2 is a bottom view thereof;
FIG. 3 is a top view thereof;
FIG. 4 is a side view thereof;
FIG. 5 is an opposite side view thereof;
FIG. 6 is a front view thereof; and,
FIG. 7 is a rear view thereof.

CPC A61L 9/03; A61L 9/04; A61L 9/05; A61L
9/12; A61L 9/14; A61L 9/012; A61L
9/015; A61L 9/048; A61L 9/122; A61L
9/127; A61L 2209/11; A61L 2209/14;
A61L 2209/133; Y10S 261/17; Y10S
261/88; Y10S 261/89; H04B 1/3877

The broken lines shown in the figures are for the purpose of illustrating portions of the air freshener and form no part of the claimed design.

See application file for complete search history.

1 Claim, 7 Drawing Sheets



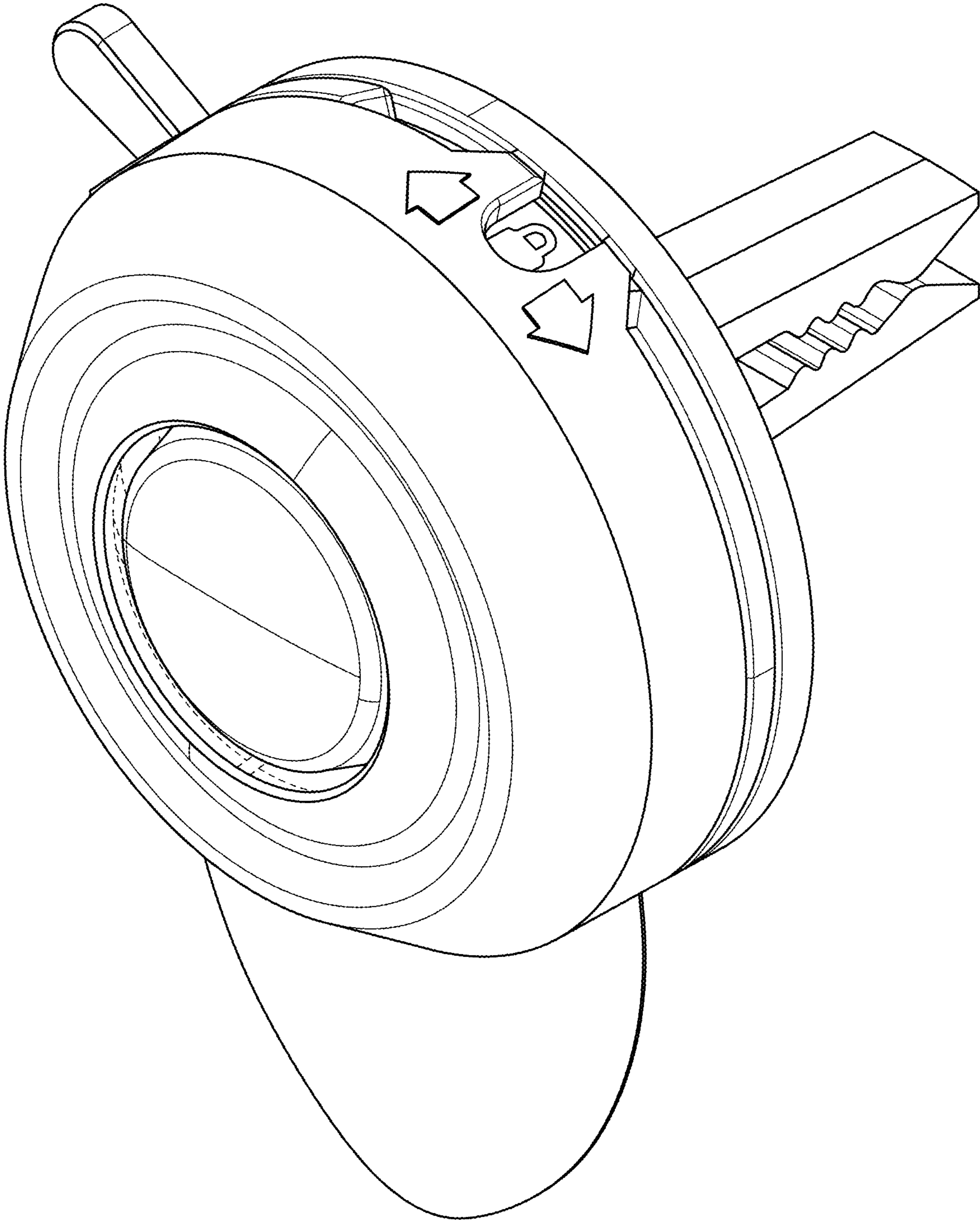


FIG. 1

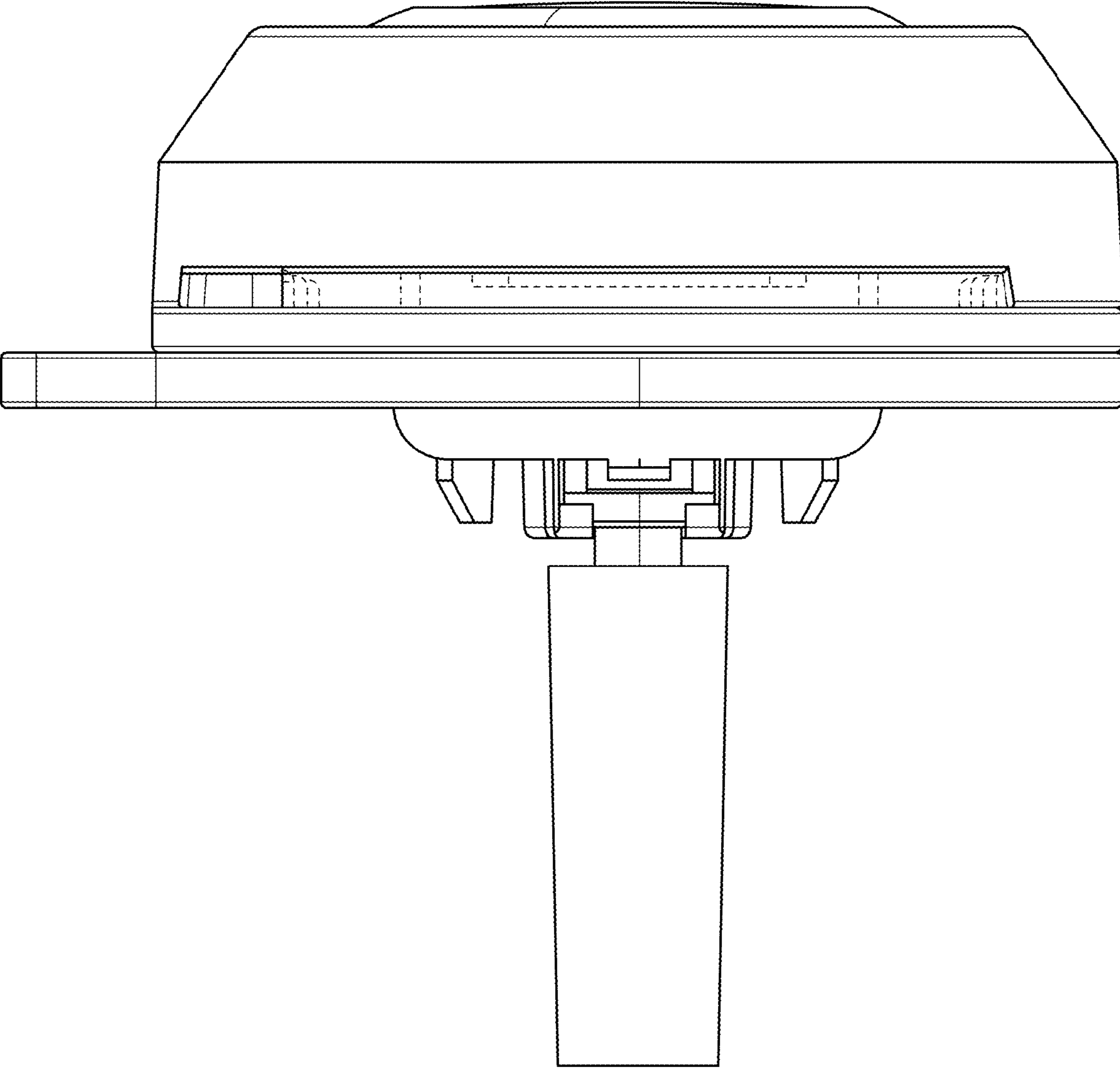


FIG. 2

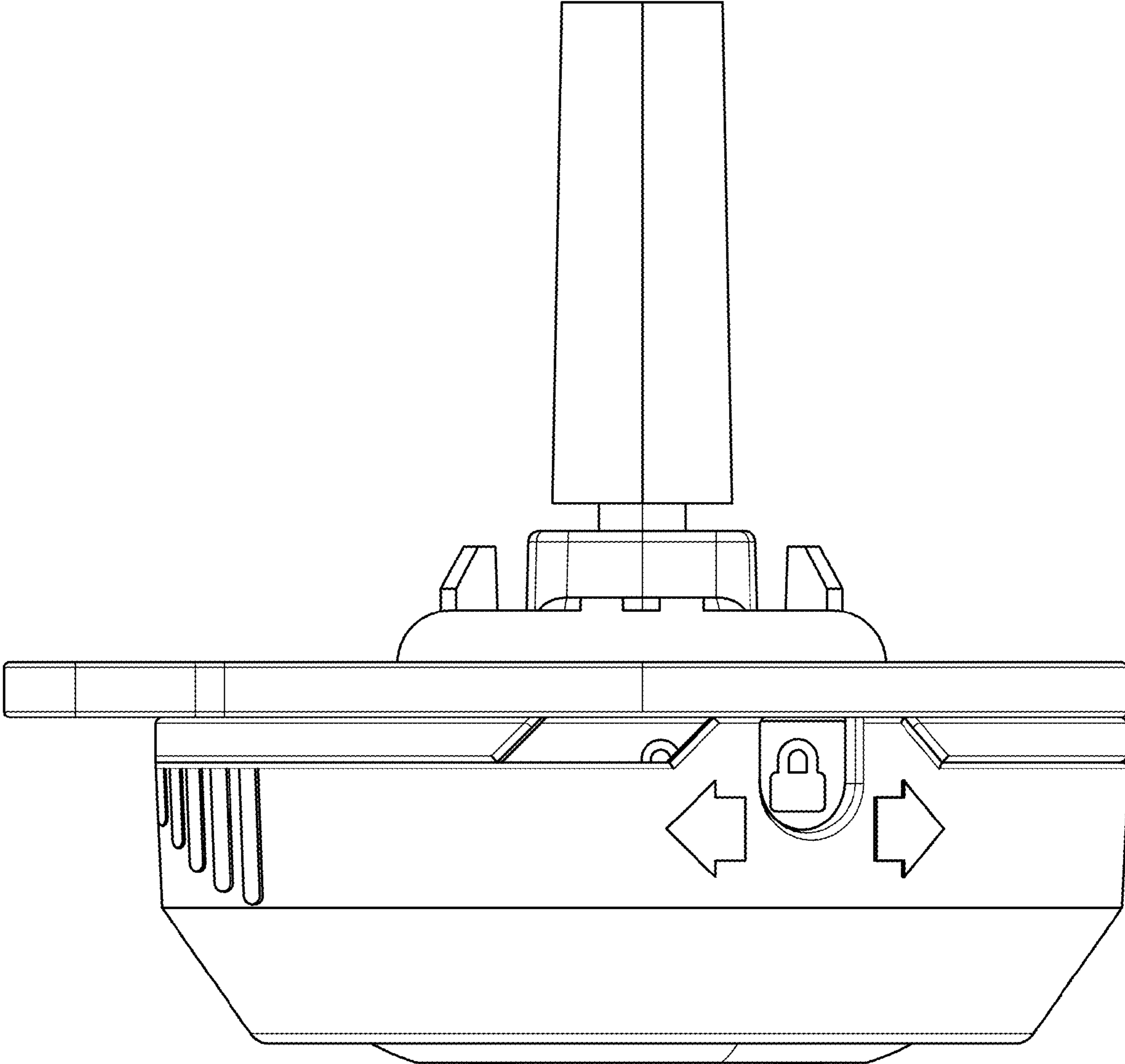


FIG. 3

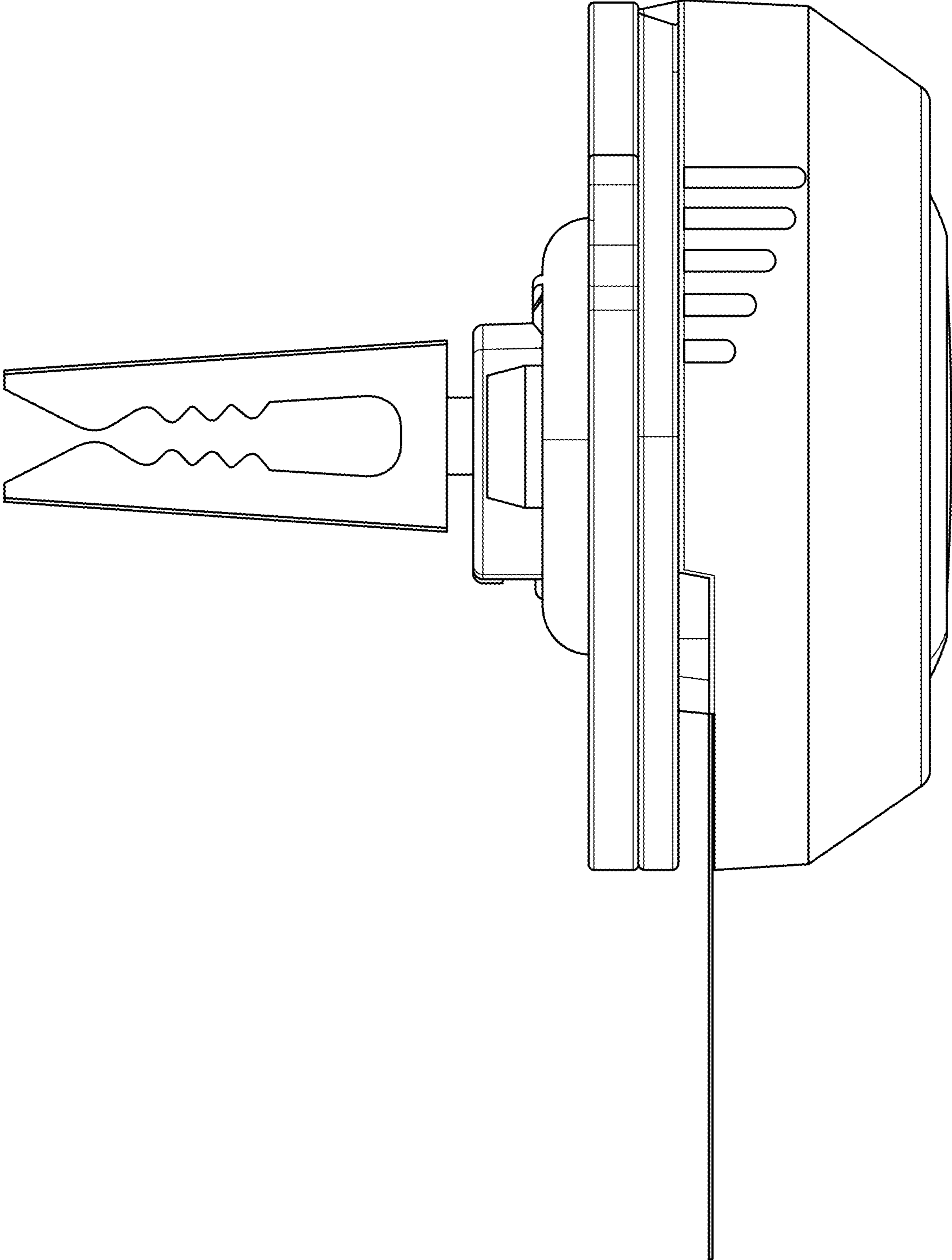


FIG. 4

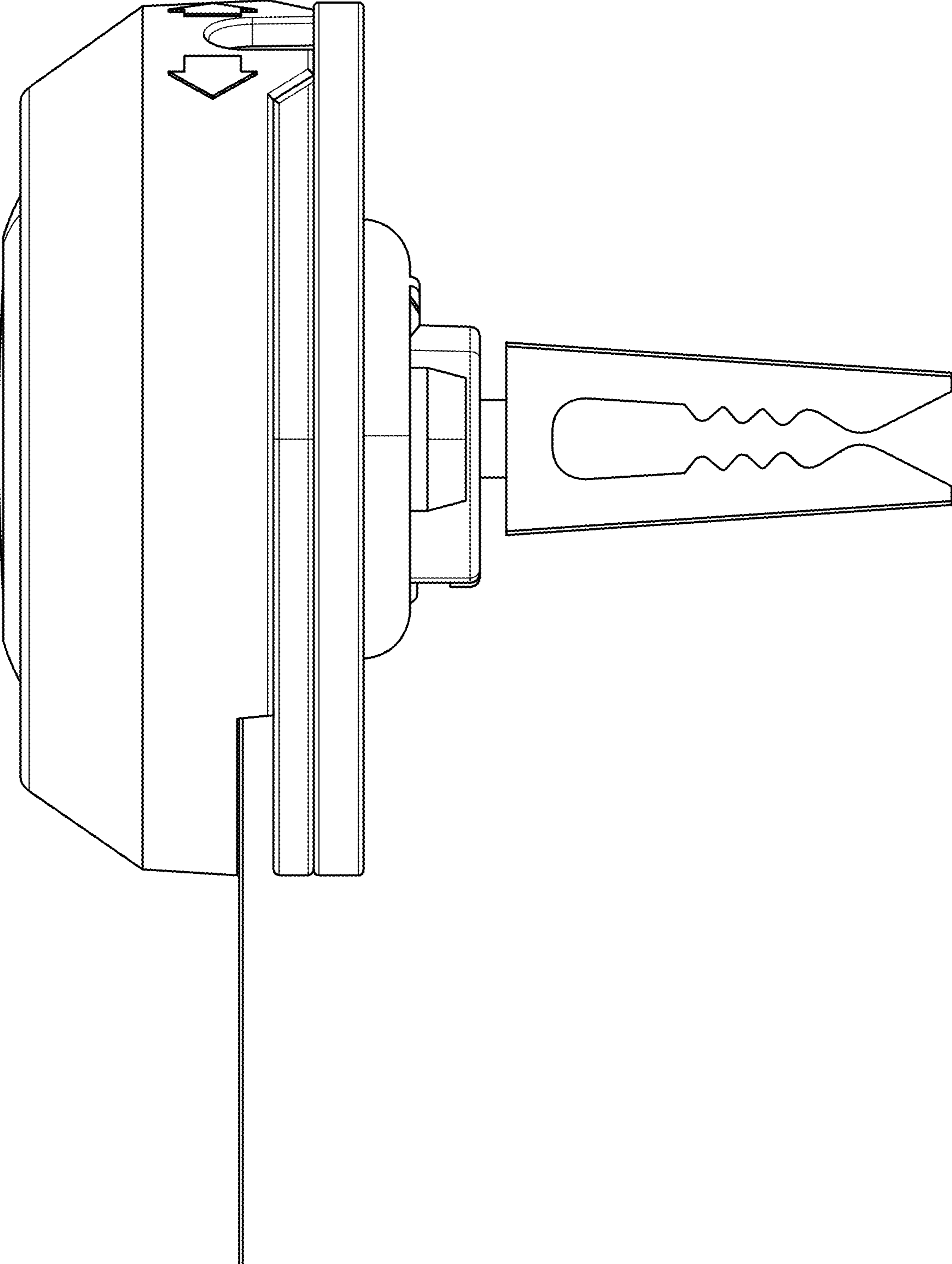


FIG. 5

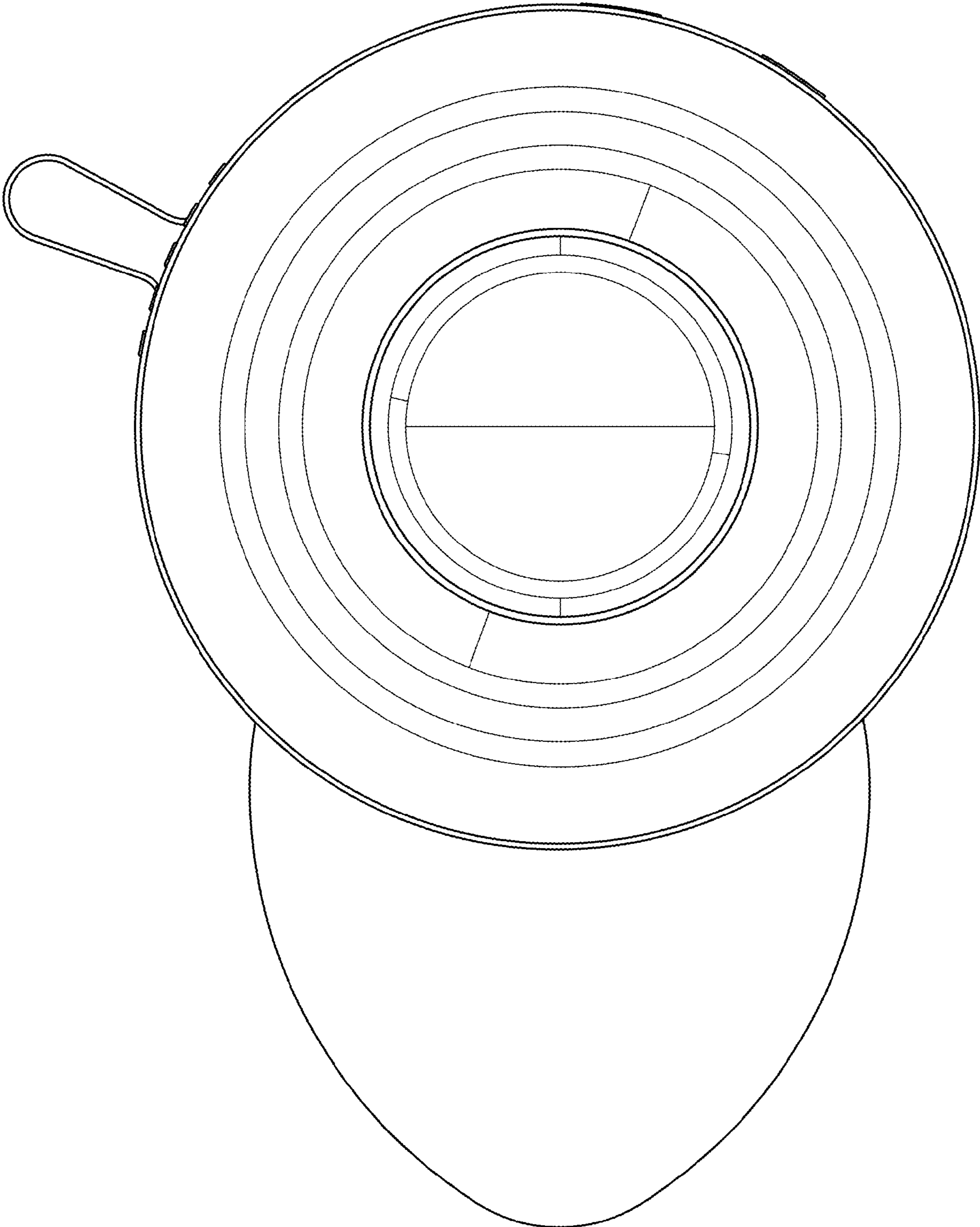


FIG. 6

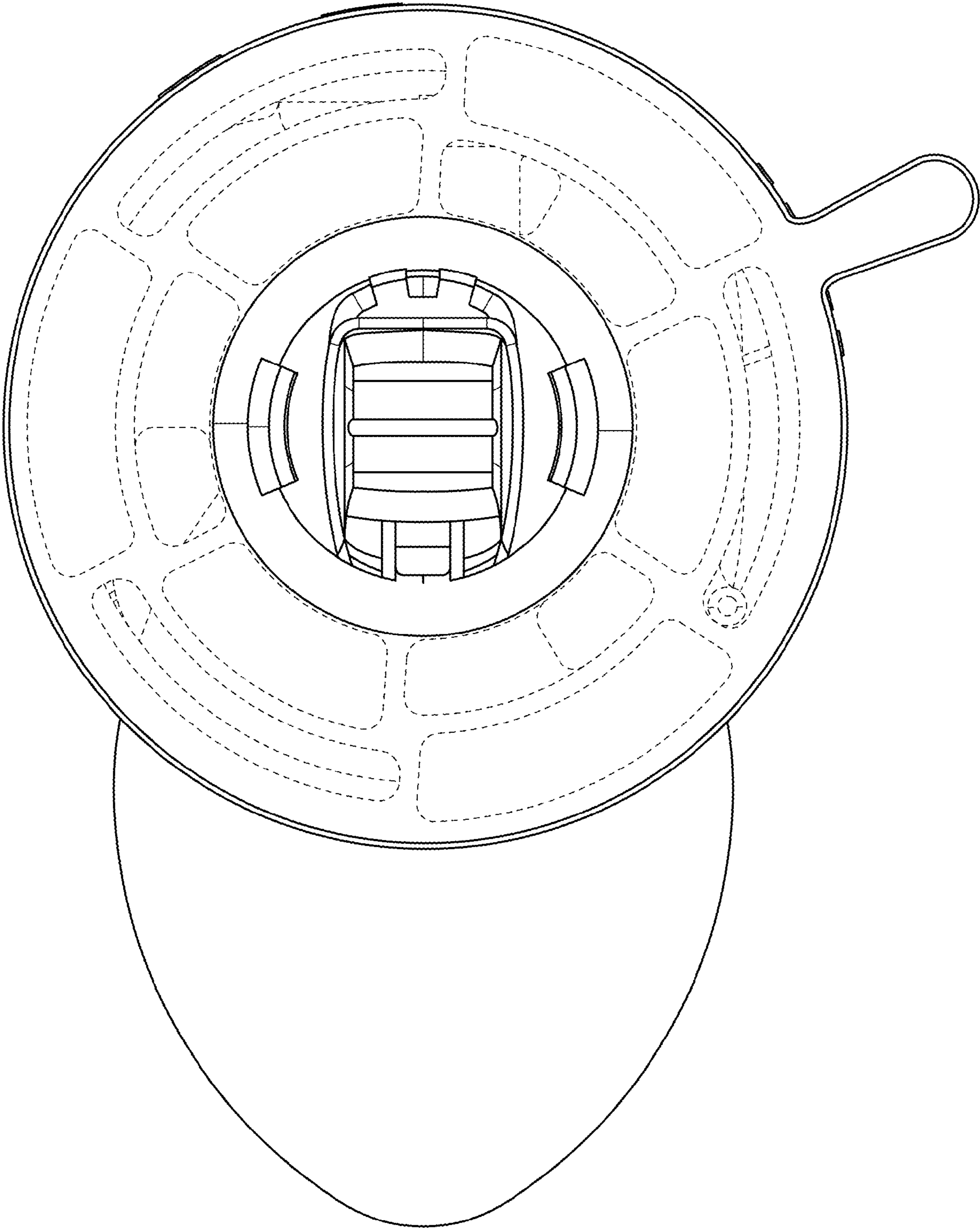


FIG. 7