



US00D989265S

(12) **United States Design Patent**  
**Winsberg**

(10) **Patent No.:** **US D989,265 S**  
(45) **Date of Patent:** **\*\* Jun. 13, 2023**

(54) **FLOATING POOL FILTER CUP**

FOREIGN PATENT DOCUMENTS

(71) Applicant: **Debra Winsberg**, Westlake Village, CA  
(US)

CA 105509 \* 7/2005  
CA 159919 \* 7/2015  
IE 20363-0001 \* 10/2003

(72) Inventor: **Debra Winsberg**, Westlake Village, CA  
(US)

OTHER PUBLICATIONS

(\*\*) Term: **15 Years**

Pentair R38013B Floating Weir, Circular, for Admiral Skimmer, available in Amazon.com, customer review oldest date Jul. 3, 2013 [online], [site visited Aug. 15, 2022], Available from the internet URL: <https://www.amazon.com/Pentair-R38013B-American-Assembly-Replacement/dp/B003UNVBNY> (Year: 2013).\*

(21) Appl. No.: **29/779,835**

(22) Filed: **Apr. 21, 2021**

(Continued)

(51) **LOC (14) Cl.** ..... **23-01**

(52) **U.S. Cl.**  
USPC ..... **D23/208**

(58) **Field of Classification Search**  
USPC ..... D15/5; D23/365, 364, 355, 366, 368,  
D23/356, 209, 208, 3; D24/162  
CPC ..... B01D 47/00; B01D 46/04; B01D 46/00;  
B01D 29/07; B01D 29/31; B01D 27/06;  
B01D 11/00; E04H 4/1281

*Primary Examiner* — Amy C Wierenga  
*Assistant Examiner* — Kathryn Elizabeth Zieno  
(74) *Attorney, Agent, or Firm* — Michael A DiNardo; Iain Hill; YK Law, LLP

See application file for complete search history.

(57) **CLAIM**

The ornamental design for a floating pool filter cup, as shown and described.

(56) **References Cited**

U.S. PATENT DOCUMENTS

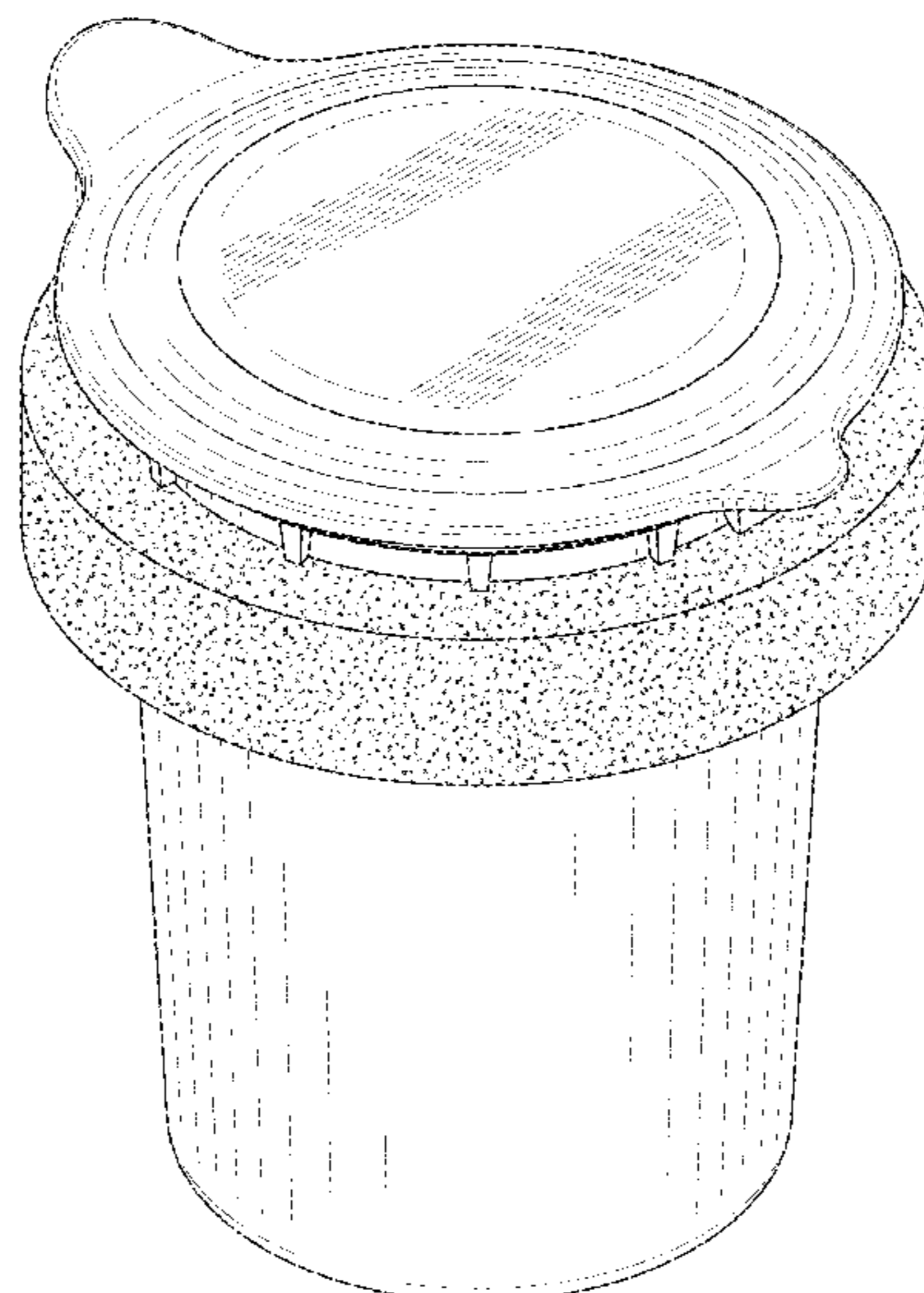
**DESCRIPTION**

- D219,776 S \* 1/1971 Jacobs ..... D23/208
- 3,949,900 A \* 4/1976 Chapel ..... E03D 9/038  
222/54
- D309,493 S \* 7/1990 Casberg ..... D23/208
- 5,053,205 A \* 10/1991 Taylor ..... C02F 1/688  
210/205
- D328,332 S \* 7/1992 Fink ..... D23/208
- D371,824 S \* 7/1996 Price ..... D23/207
- 5,795,551 A \* 8/1998 Powell ..... B01F 21/22  
137/268
- D451,979 S \* 12/2001 VanErdewyk ..... D23/208
- D486,881 S \* 2/2004 Pecci ..... D23/207
- D526,043 S \* 8/2006 Thompson ..... D23/208
- D526,382 S \* 8/2006 Thompson ..... D23/208
- D629,486 S \* 12/2010 Rossano ..... D23/208
- D630,705 S \* 1/2011 Rossano ..... D23/208

FIG. 1 is top front perspective of the floating pool filter cup; FIG. 2 is a bottom rear perspective of the floating pool filter cup from the reverse angle of FIG. 1; FIG. 3 is a front elevation of the floating pool filter cup; FIG. 4 is a rear elevation of the floating pool filter cup; FIG. 5 is a left elevation side of the floating pool filter cup (the right side view is a mirror image); FIG. 6 is a top plan of the floating pool filter cup; and, FIG. 7 is a bottom plan of the floating pool filter cup. The dashed broken lines depict portions of the floating pool filter cup that form no part of the claim. The stippled shading represents a contrast in appearance.

(Continued)

**1 Claim, 7 Drawing Sheets**



(56)

**References Cited**

## U.S. PATENT DOCUMENTS

7,922,982 B1 \* 4/2011 Brennan ..... B01F 21/22  
 210/242.1  
 D717,420 S \* 11/2014 Von Seggern ..... D23/365  
 D736,344 S \* 8/2015 Chalifoux ..... D23/208  
 D788,878 S \* 6/2017 Smith, Jr. .... D23/207  
 D794,160 S \* 8/2017 Hui ..... D23/207  
 D860,388 S \* 9/2019 Slocum ..... D23/207  
 2014/0110352 A1 \* 4/2014 King ..... C02F 1/688  
 222/173  
 2014/0331398 A1 \* 11/2014 Walsh ..... F16K 15/147  
 4/492  
 2015/0322683 A1 \* 11/2015 Edwards ..... E04H 4/1281  
 210/86  
 2019/0022603 A1 \* 1/2019 Huang ..... B01F 21/22  
 2019/0284826 A1 \* 9/2019 Gu ..... E04H 4/1209  
 2021/0340786 A1 \* 11/2021 Zhang ..... C02F 1/688

## OTHER PUBLICATIONS

Swimline HydroTools Large Capacity Pool & Spa Chemical Dispenser, available in Amazon.com, customer review oldest date Aug. 24, 2014 [online], [site visited Aug. 15, 2022], Available from the internet URL: <https://www.amazon.com/HydroTools-Swimline-Adjustable-Floating-Dispenser/dp/B000P5A4R4> (Year: 2014).\*

CM Neoprene Floating Drink Holder Floating Coaster Pool Drink Holder for Pool Party Water Fun, available in Amazon.com, customer review oldest date Jul. 29, 2020 [online], [site visited Aug. 15, 2022], Available from the internet URL: <https://www.amazon.com/CM-Neoprene-Floating-Holder-Coaster/dp/B08DNSS9MC> (Year: 2020).\*

\* cited by examiner

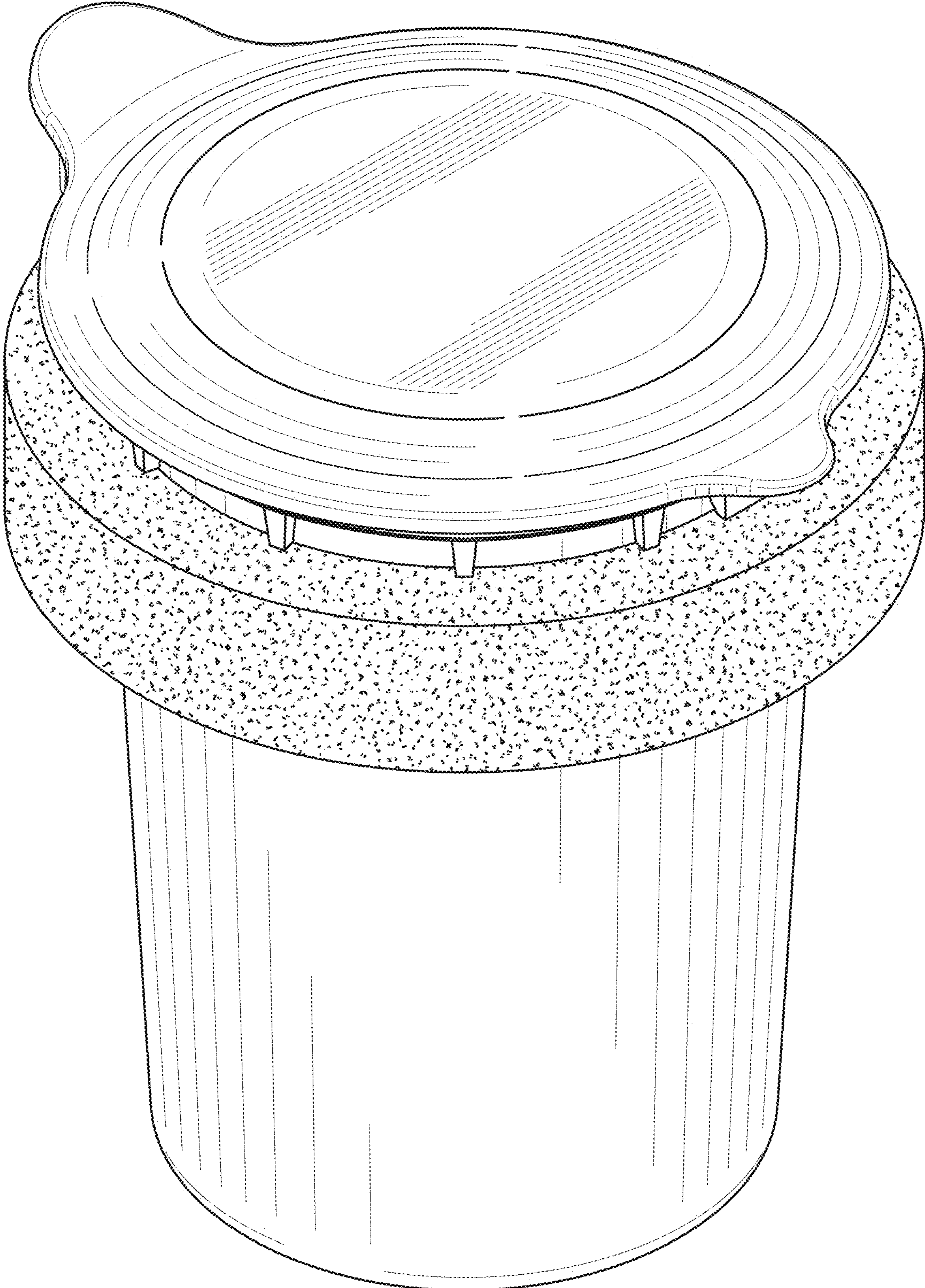


FIG. 1



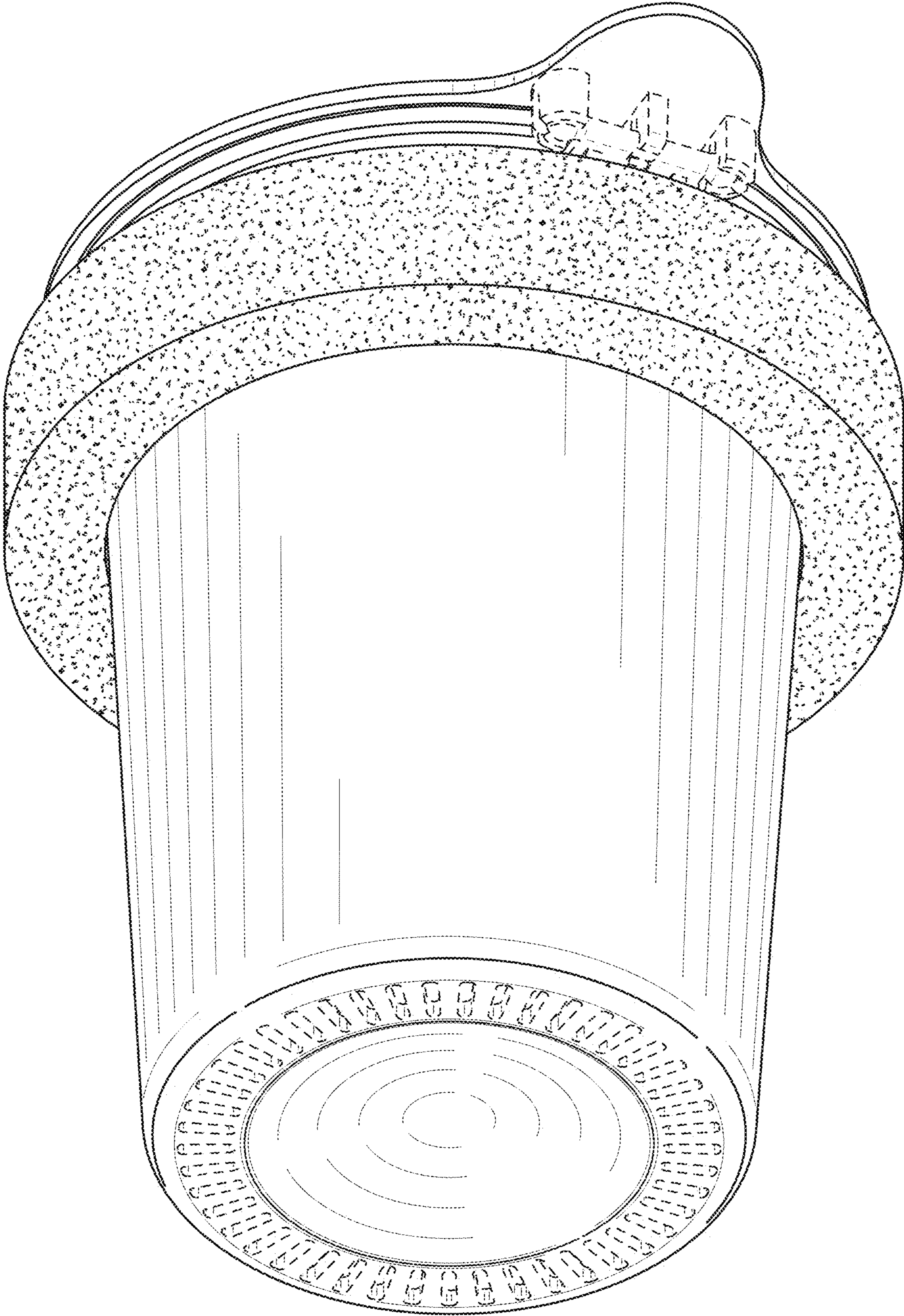


FIG. 2

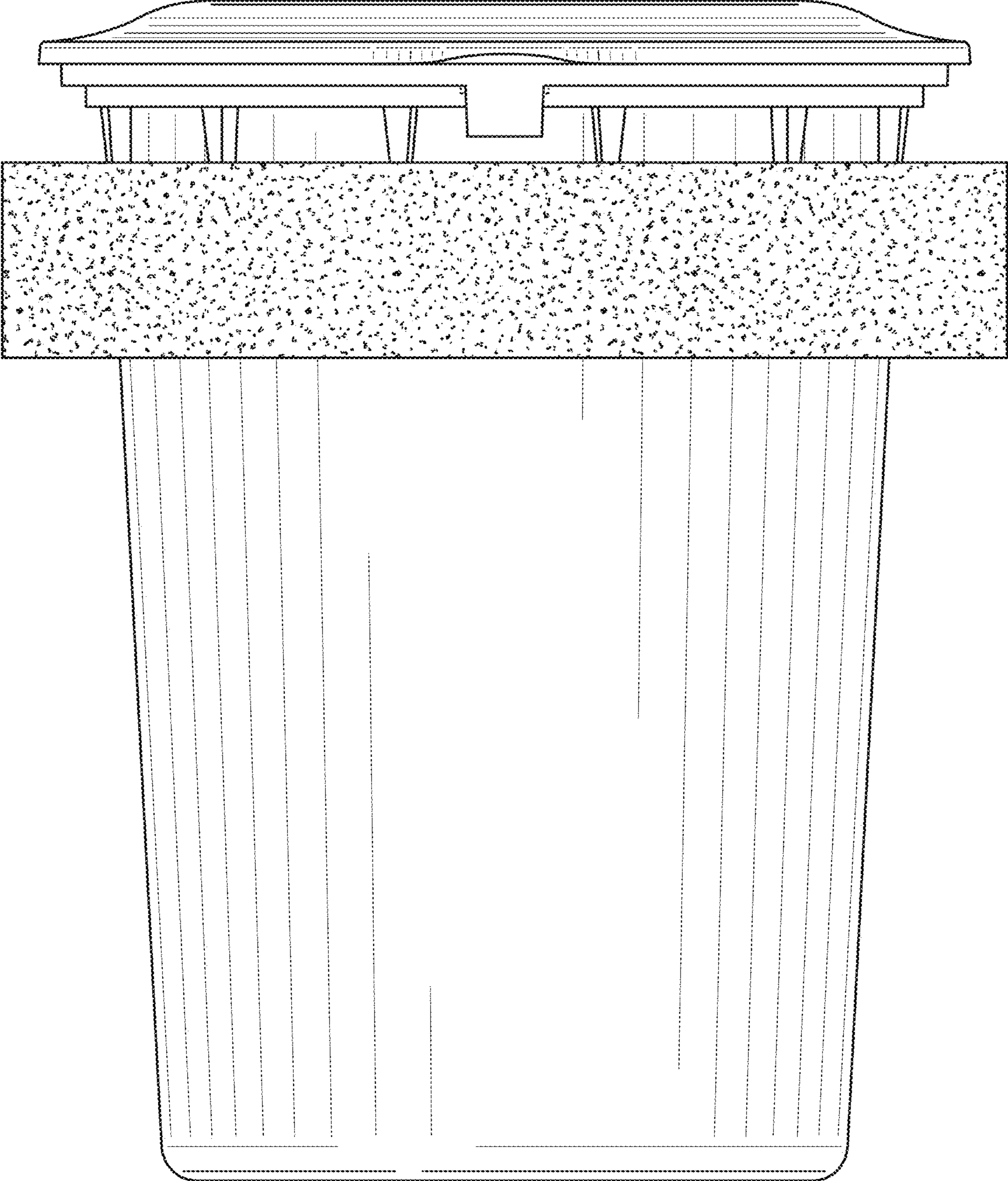


FIG. 3

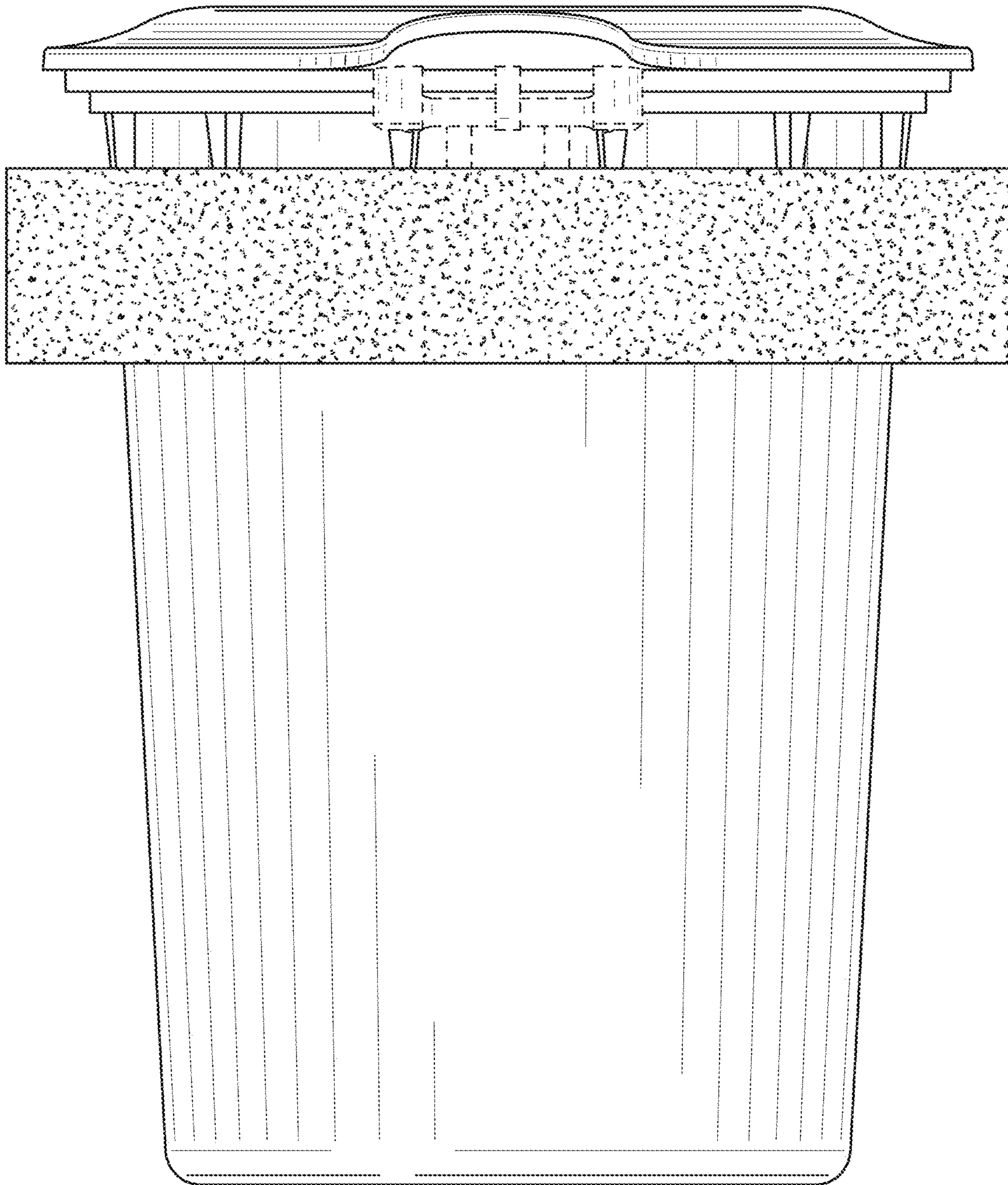


FIG. 4



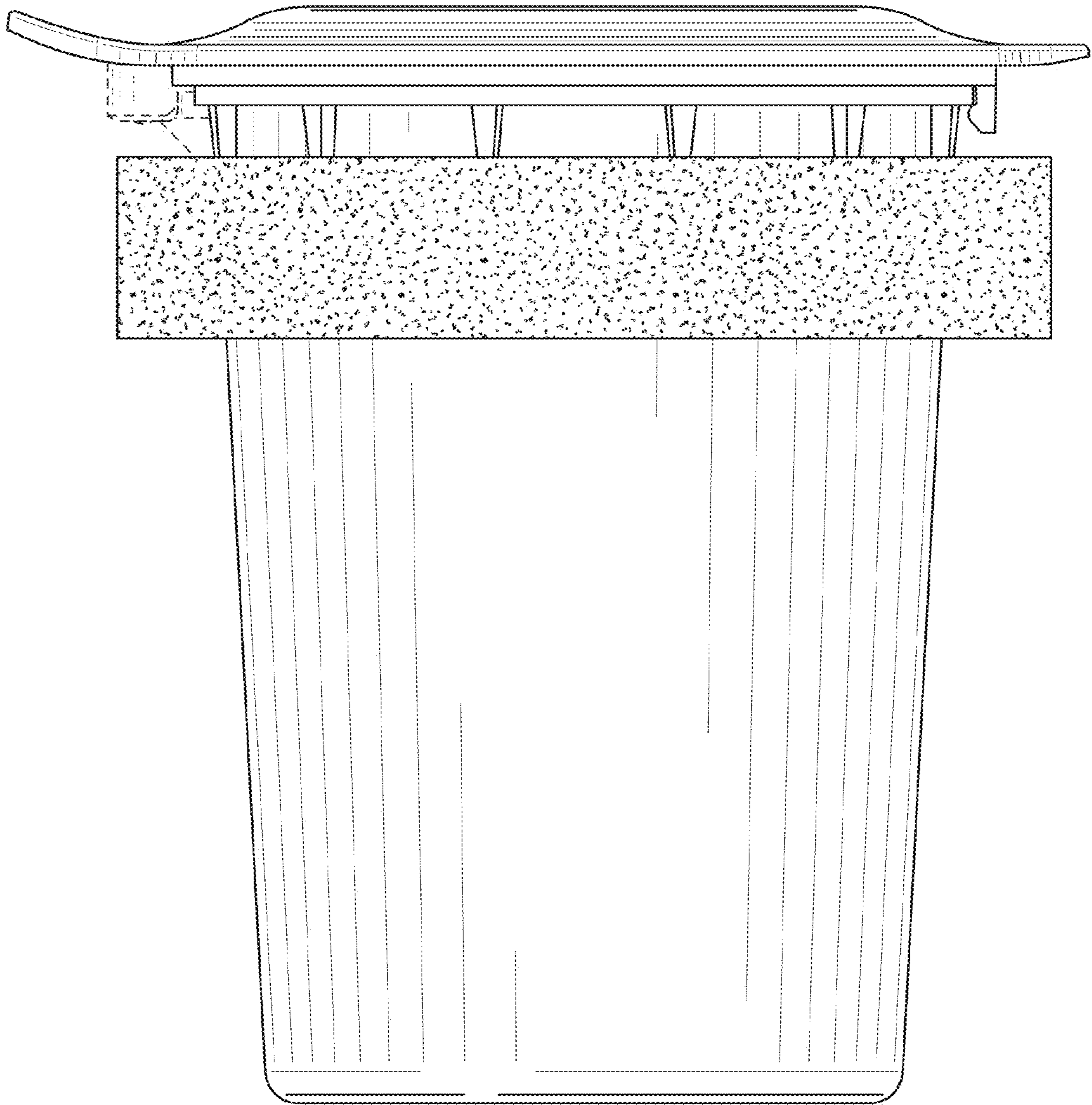


FIG. 5

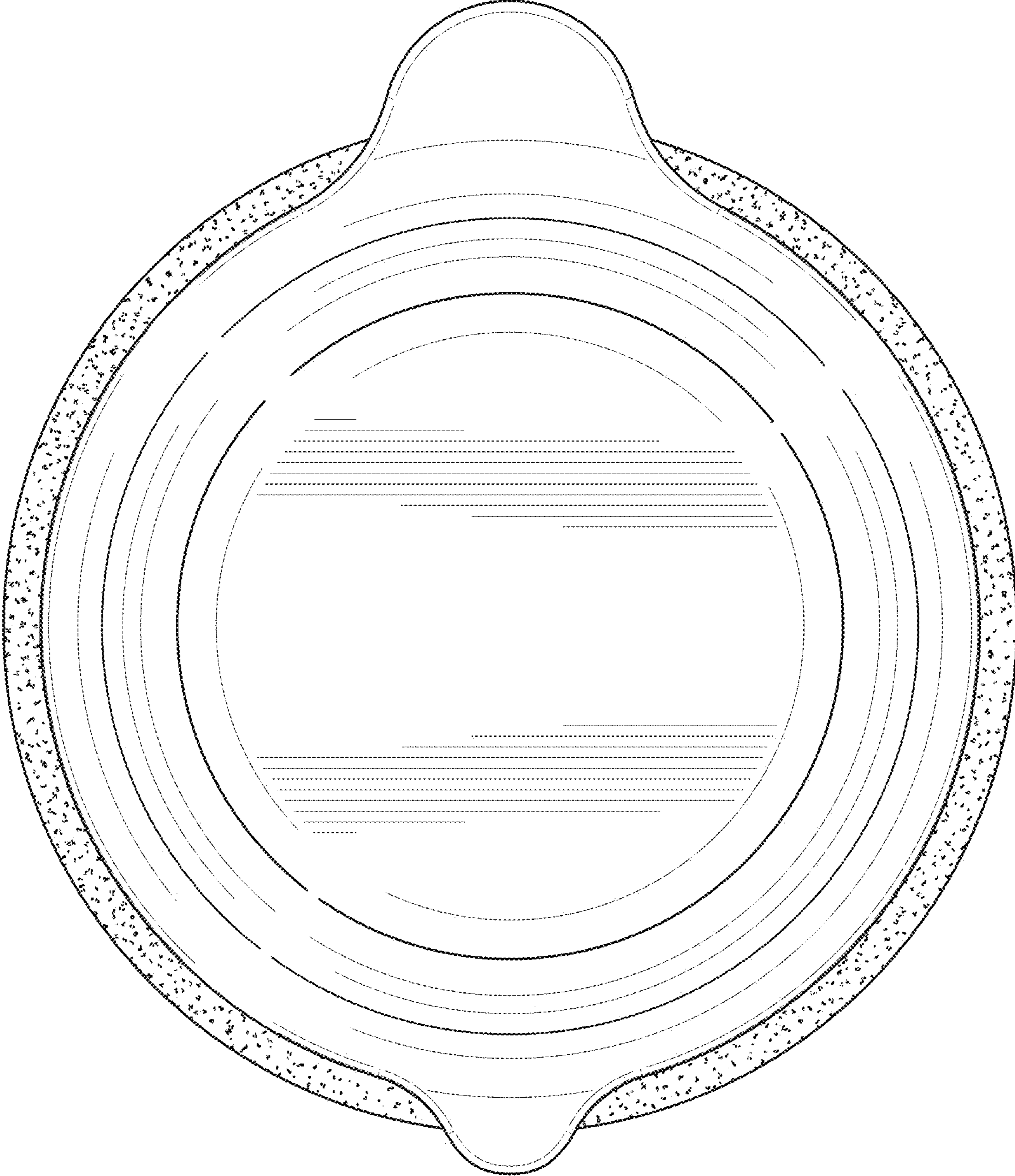


FIG. 6



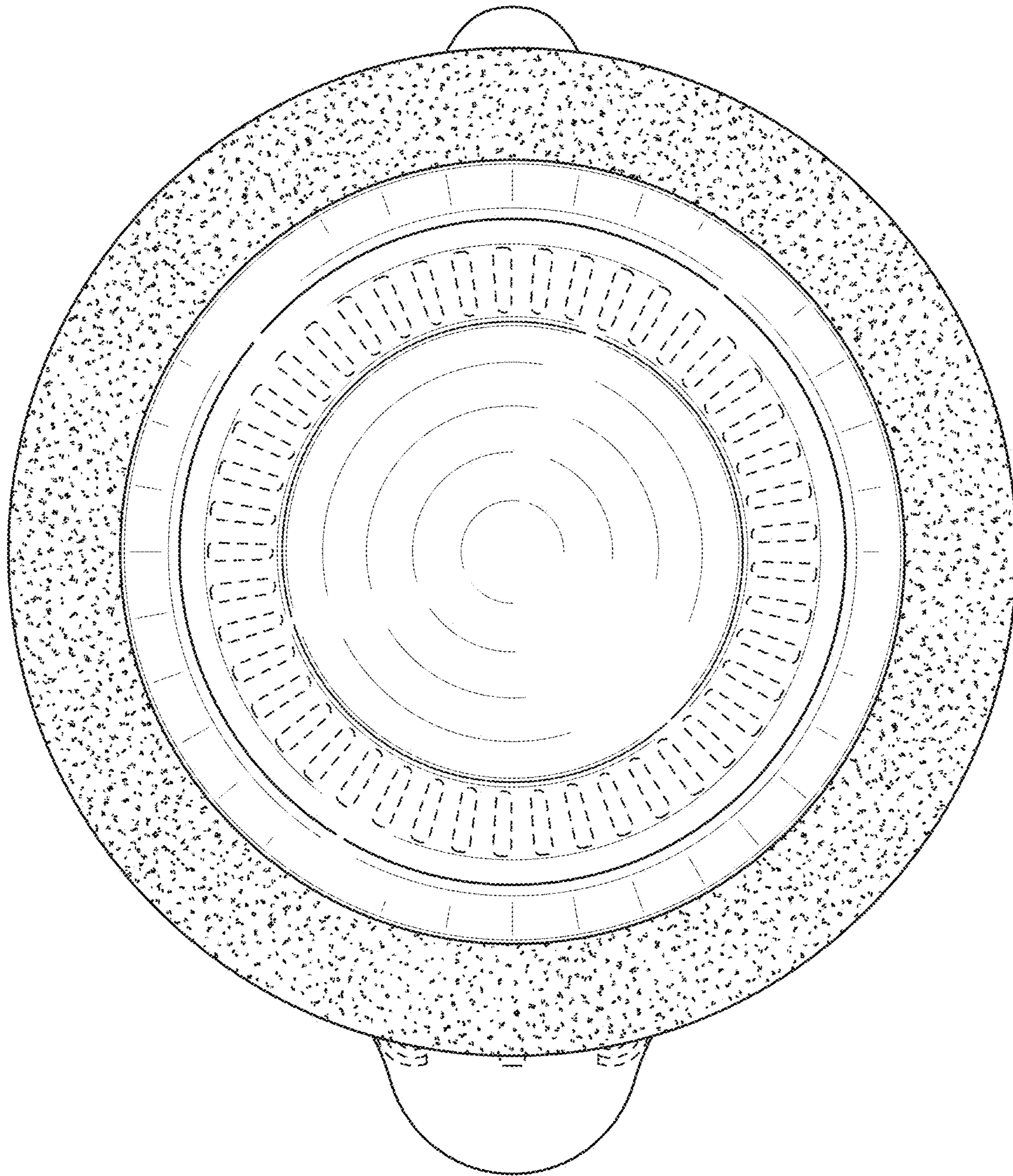


FIG. 7