



US00D989262S

(12) **United States Design Patent**
Niedermann

(10) **Patent No.:** **US D989,262 S**
(45) **Date of Patent:** **** Jun. 13, 2023**

(54) **PORTABLE ROOM HUMIDIFIER**

FOREIGN PATENT DOCUMENTS

(71) Applicant: **Dirk Niedermann**, Bloomington, IL
(US)

CN 302300976 * 1/2013
CN 302314449 * 2/2013

(Continued)

(72) Inventor: **Dirk Niedermann**, Bloomington, IL
(US)

OTHER PUBLICATIONS

(**) Term: **15 Years**

Crane Drop Ultrasonic Cool Mist Humidifier, first available Nov. 15, 2005[online], [site visited Nov. 10, 2021]. Available from internet, URL:<<https://www.amazon.com/Crane-Humidifier-Ultrasonic-Humidifiers-Filter-Free/dp/B001ADL1SG?th=1>> (Year: 2005).*

(21) Appl. No.: **29/733,876**

(Continued)

(22) Filed: **May 7, 2020**

(51) **LOC (14) Cl.** **23-04**

(52) **U.S. Cl.**

USPC **D23/359**

(58) **Field of Classification Search**

USPC D23/356, 359, 364-365, 378, 499

CPC F24F 3/16; F24F 3/1405; F24F 3/1603;

F24F 13/20; F24F 13/222

See application file for complete search history.

Primary Examiner — Barbara Fox

Assistant Examiner — Jamaal Rasheed

(74) *Attorney, Agent, or Firm* — Wood, Phillips, Katz,
Clark & Mortimer

(56) **References Cited**

U.S. PATENT DOCUMENTS

2,321,640 A * 6/1943 Adkins H02G 3/20

220/242

3,779,851 A * 12/1973 Hertz B29C 70/04

156/182

3,939,024 A * 2/1976 Hoggatt B29C 70/00

156/308.2

D299,443 S * 1/1989 Durand D7/529

D305,262 S * 12/1989 Nichols D24/115

D406,718 S * 3/1999 Jacobs D6/601

D436,533 S * 1/2001 Correll D9/414

D462,295 S * 9/2002 Bates D11/146

D614,530 S * 4/2010 Garcia D11/143

D614,531 S * 4/2010 Garcia D11/154

D619,922 S * 7/2010 Garcia D11/143

D621,740 S * 8/2010 Garcia D11/154

D647,189 S * 10/2011 Mochizuki D23/366

D691,222 S * 10/2013 Sterios D21/686

D717,173 S * 11/2014 Wechsler D9/519

D717,515 S * 11/2014 Khan D99/5

(Continued)

(57) **CLAIM**

The ornamental design for a portable room humidifier, as shown and described.

DESCRIPTION

FIG. 1 is a rear, top, and side perspective view of a portable room humidifier showing my new design;

FIG. 2 is a front elevation view thereof;

FIG. 3 is a rear elevation view thereof;

FIG. 4 is an elevation view thereof from the side opposite that in FIG. 1;

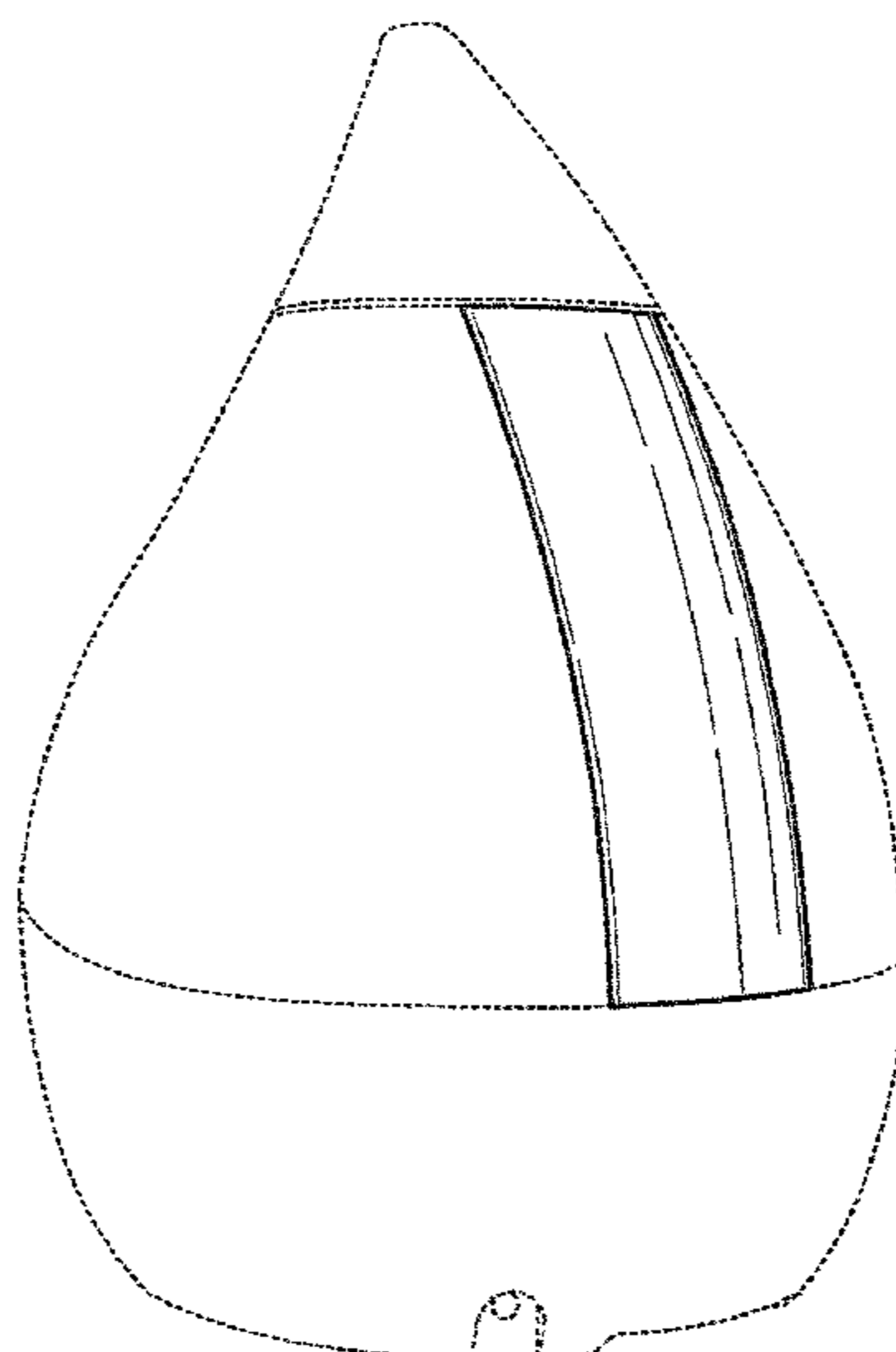
FIG. 5 is an elevation view thereof from the same side as that in FIG. 1;

FIG. 6 is a top plan view thereof; and,

FIG. 7 is a bottom view.

The portions of the portable room humidifier shown in dotted lines do not constitute a part of the claimed design.

1 Claim, 4 Drawing Sheets



(56)

References Cited

U.S. PATENT DOCUMENTS

D729,917	S	*	5/2015	Seo	D23/356
D729,918	S	*	5/2015	Seo	D23/356
D748,475	S	*	2/2016	Hunter	D9/444
D758,867	S	*	6/2016	Tsai	D9/519
D779,055	S	*	2/2017	Mehta	D24/115
D812,210	S	*	3/2018	Tang	D23/366
D813,687	S	*	3/2018	Ferreira	D9/521
D836,188	S	*	12/2018	Li	D23/356
D841,794	S	*	2/2019	Xu	D23/356
D844,127	S	*	3/2019	Wang	D23/366
D848,594	S	*	5/2019	Chen	D23/356
D851,227	S	*	6/2019	Chen	D23/356
D897,512	S	*	9/2020	Wu	D23/356
D897,515	S	*	9/2020	Liu	D23/356
D905,838	S	*	12/2020	Carra	D23/356
D913,480	S	*	3/2021	Zheng	D23/366
2020/0378636	A1	*	12/2020	Yang	F24F 13/06

FOREIGN PATENT DOCUMENTS

CN	302536583	*	8/2013
CN	302607339	*	10/2013
CN	303170431	*	4/2015

OTHER PUBLICATIONS

Crane Droplet Ultrasonic Cool Mist Humidifier, first available Oct. 12, 2014[online], [site visited Nov. 12, 2021]. Available from internet, URL:<<https://www.amazon.com/Crane-USA-Filter-Free-Droplet-Humidifier/dp/B00NWE4GSS>> (Year: 2014).*

* cited by examiner

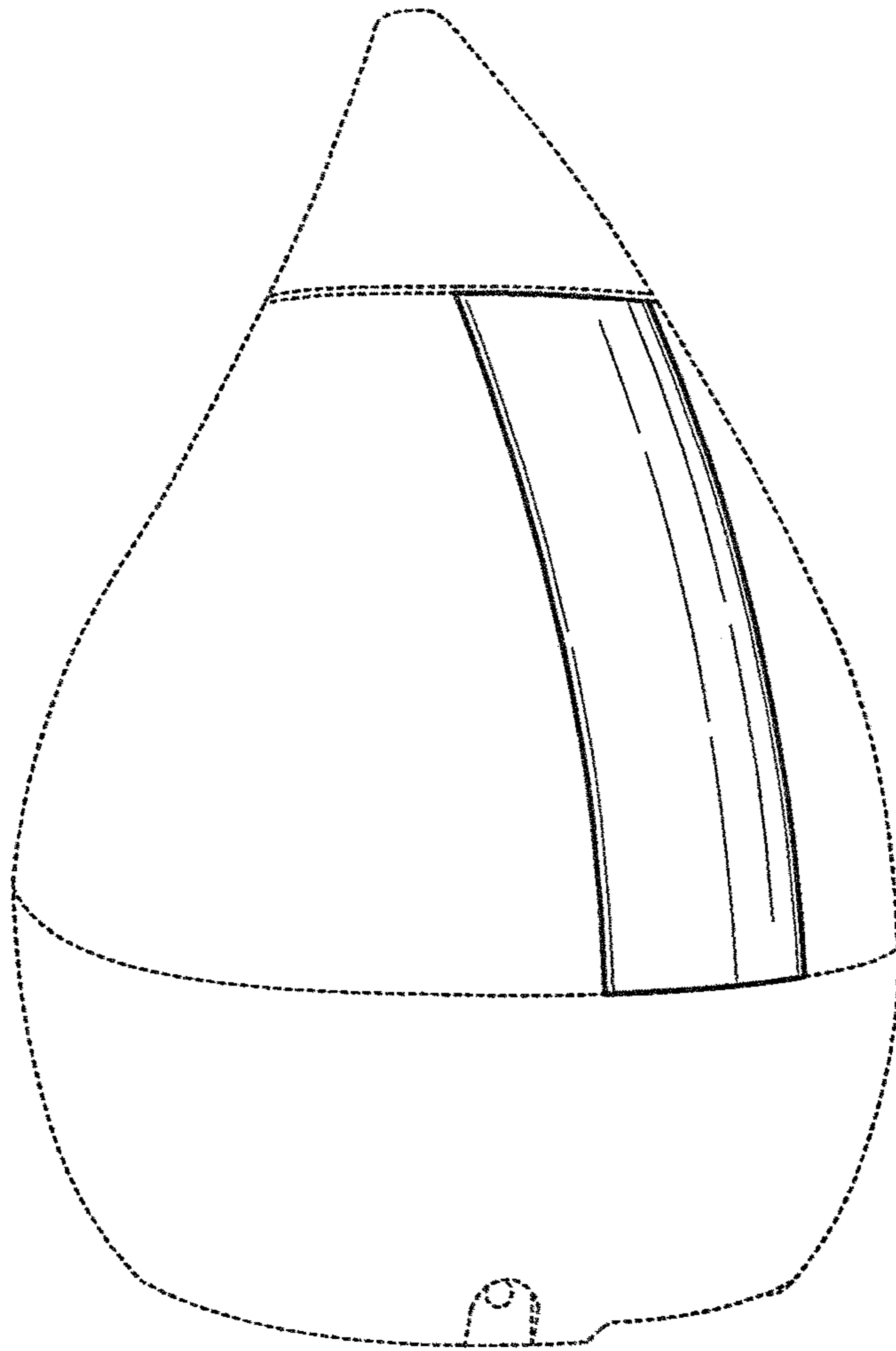


Fig. 1

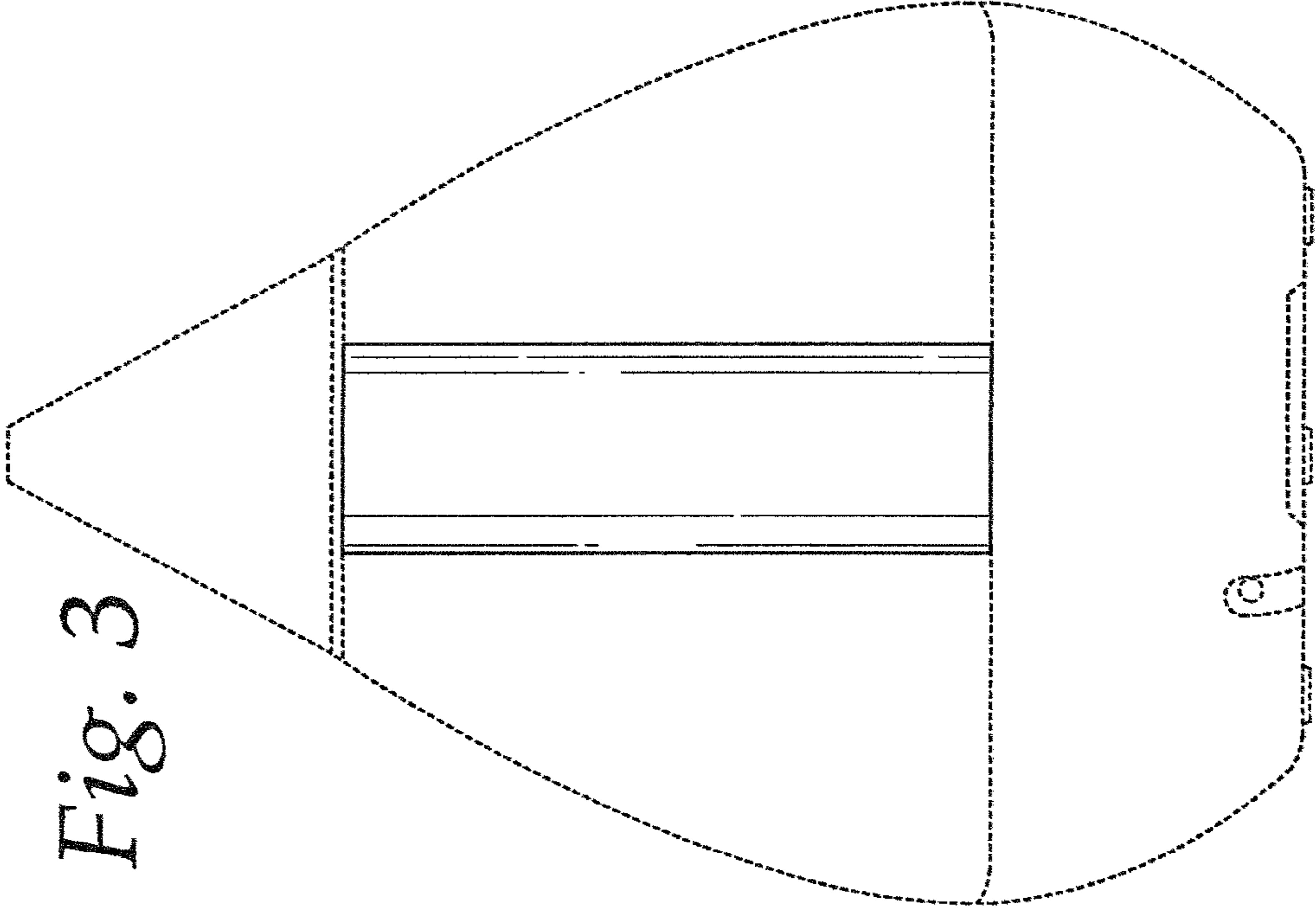


Fig. 3

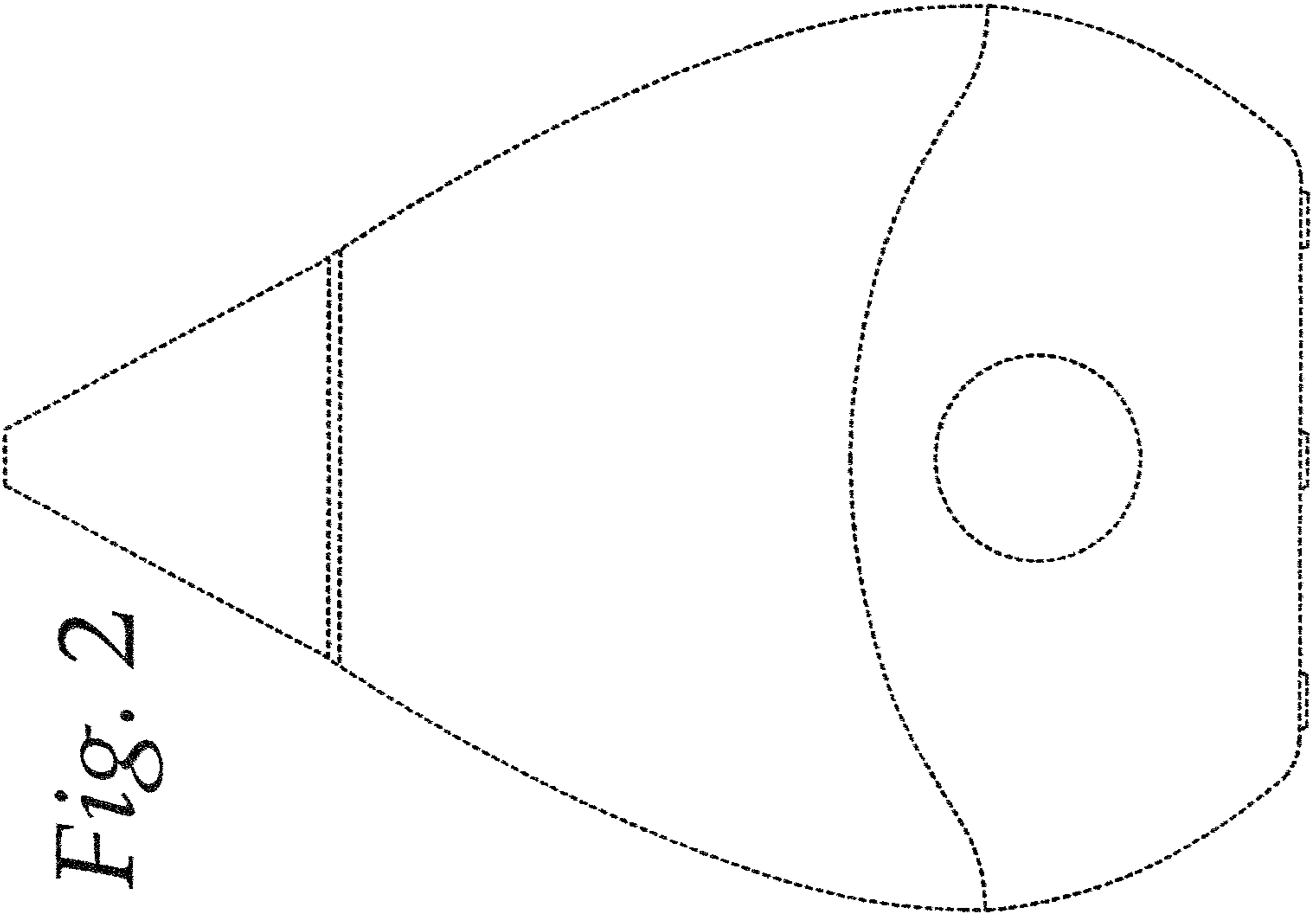


Fig. 2

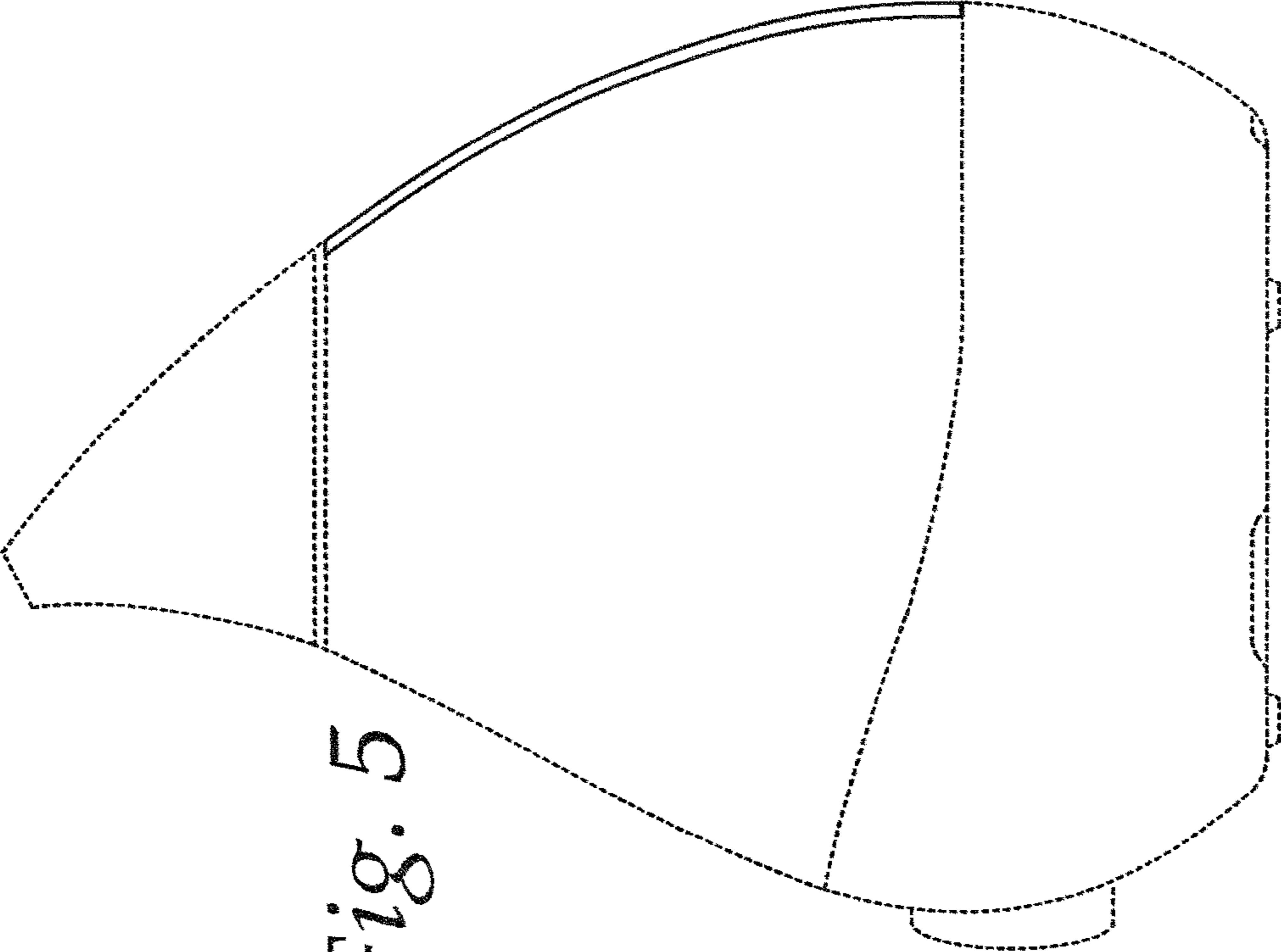


Fig. 5

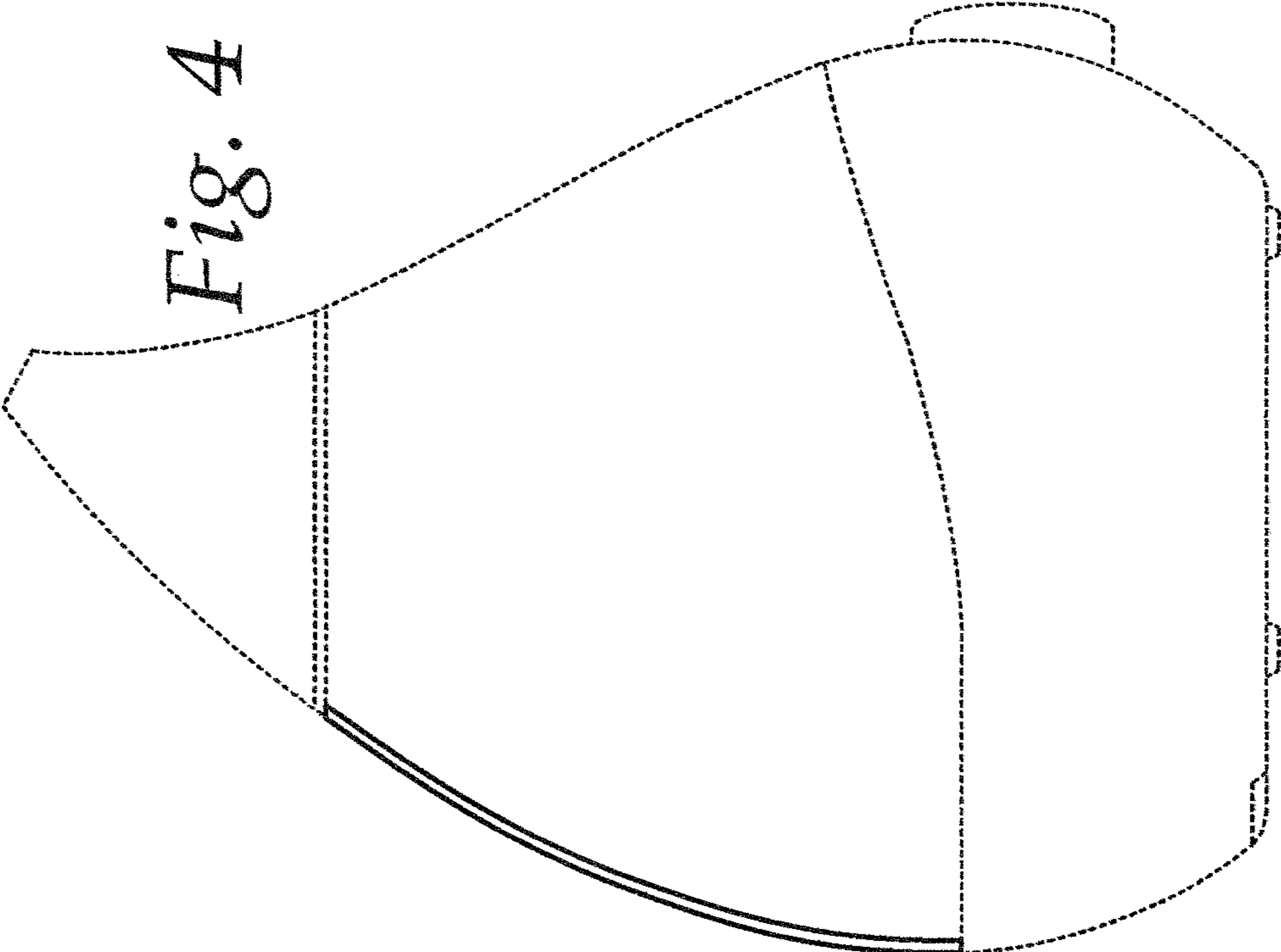


Fig. 4

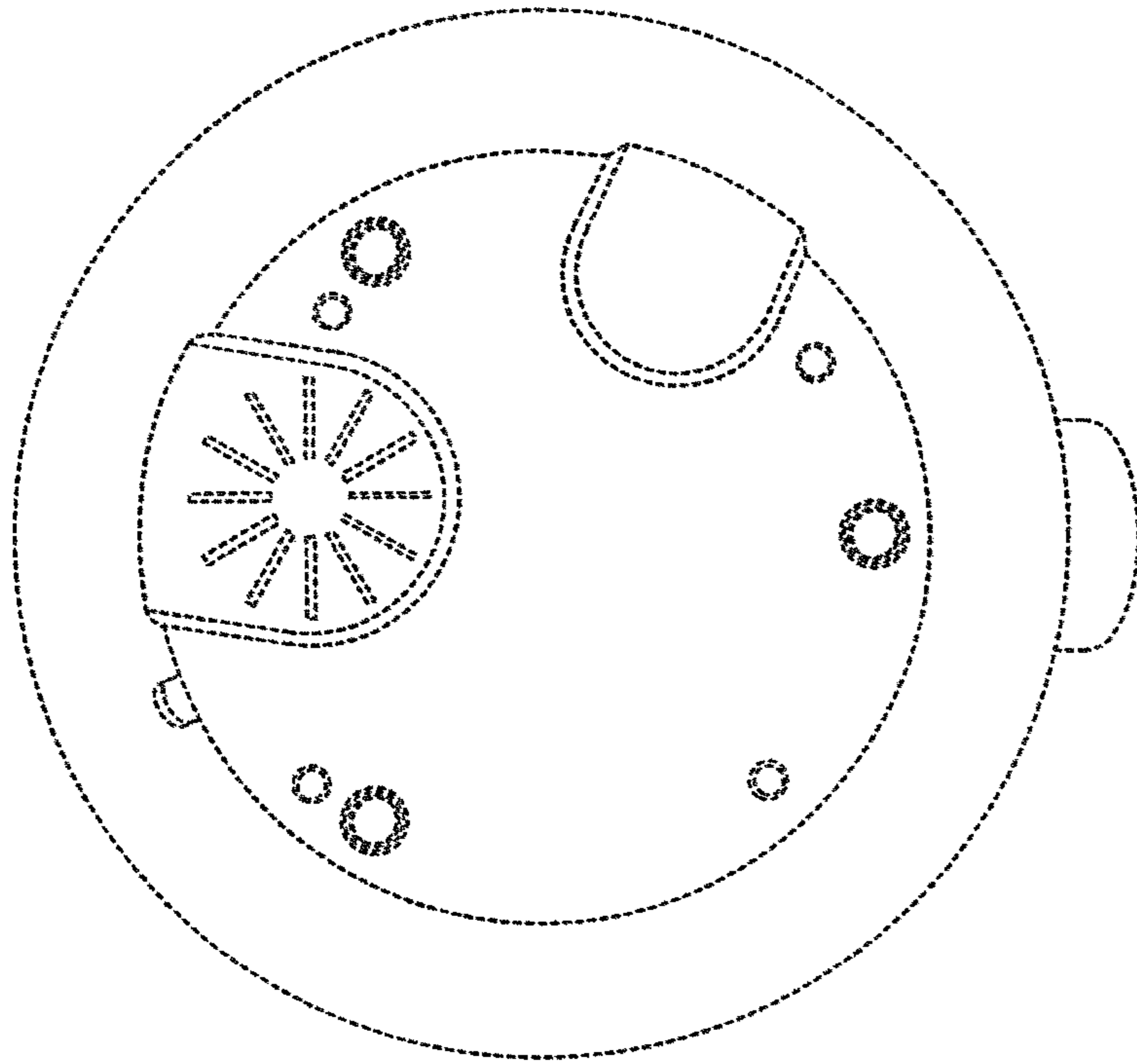


Fig. 6

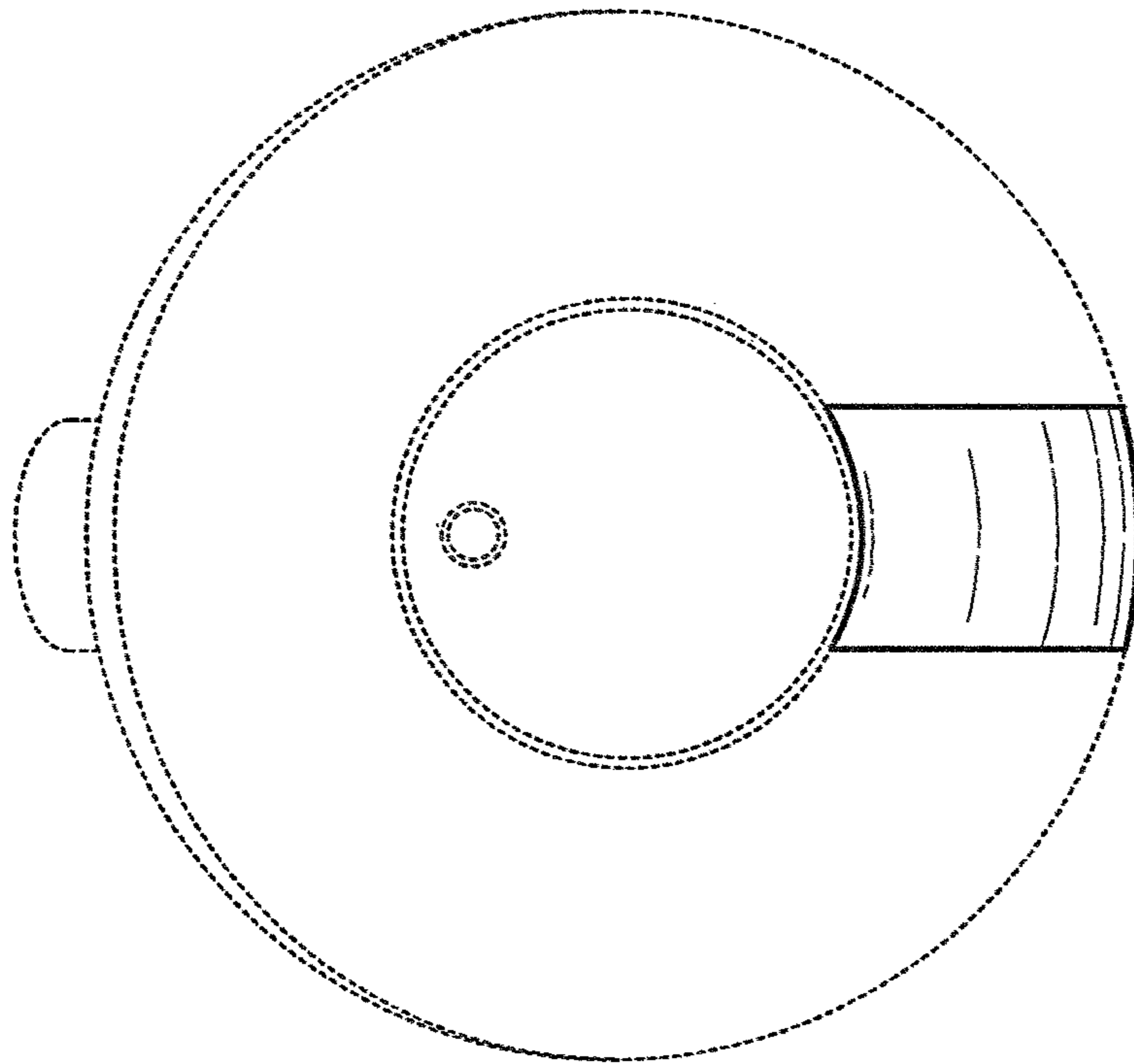


Fig. 7