



US00D989260S

(12) **United States Design Patent** (10) **Patent No.:** **US D989,260 S**  
**Saigol et al.** (45) **Date of Patent:** **\*\* Jun. 13, 2023**

(54) **AIR CONDITIONER**

(56) **References Cited**

(71) Applicant: **DON'T BE HOT CORP.**, New York, NY (US)

U.S. PATENT DOCUMENTS

(72) Inventors: **Muhammad Saigol**, New York, NY (US); **Erik Rauterkus**, New York, NY (US); **Bret Recor**, San Francisco, CA (US); **Christoph Andrejic**, San Francisco, CA (US); **Benjamin Gross**, San Francisco, CA (US); **Kenneth Young**, San Francisco, CA (US)

D504,889 S \* 5/2005 Andre ..... D14/341  
D558,865 S \* 1/2008 Yoo ..... D23/351  
D654,074 S \* 2/2012 Wood ..... D14/341  
D657,032 S \* 4/2012 Chouji ..... D23/351  
D657,033 S \* 4/2012 Chouji ..... D23/351  
D684,872 S \* 6/2013 Bias ..... D10/49  
D687,388 S \* 8/2013 Baumgartner ..... D13/162  
D691,251 S \* 10/2013 Couture ..... D23/343  
D723,675 S \* 3/2015 Paskow ..... D23/354  
D726,295 S \* 4/2015 Kim ..... D23/351  
D734,179 S \* 7/2015 Golden ..... D10/50

(Continued)

(73) Assignee: **DON'T BE HOT CORP.**, New York, NY (US)

*Primary Examiner* — Natasha Vujcic

(\*\*) Term: **15 Years**

(74) *Attorney, Agent, or Firm* — Buckley, Maschoff & Talwalkar LLC

(21) Appl. No.: **29/748,384**

(57) **CLAIM**

The ornamental design for an air conditioner, as shown and described.

(22) Filed: **Aug. 28, 2020**

**DESCRIPTION**

**Related U.S. Application Data**

(63) Continuation of application No. 16/931,702, filed on Jul. 17, 2020.

(51) **LOC (14) Cl.** ..... **23-04**

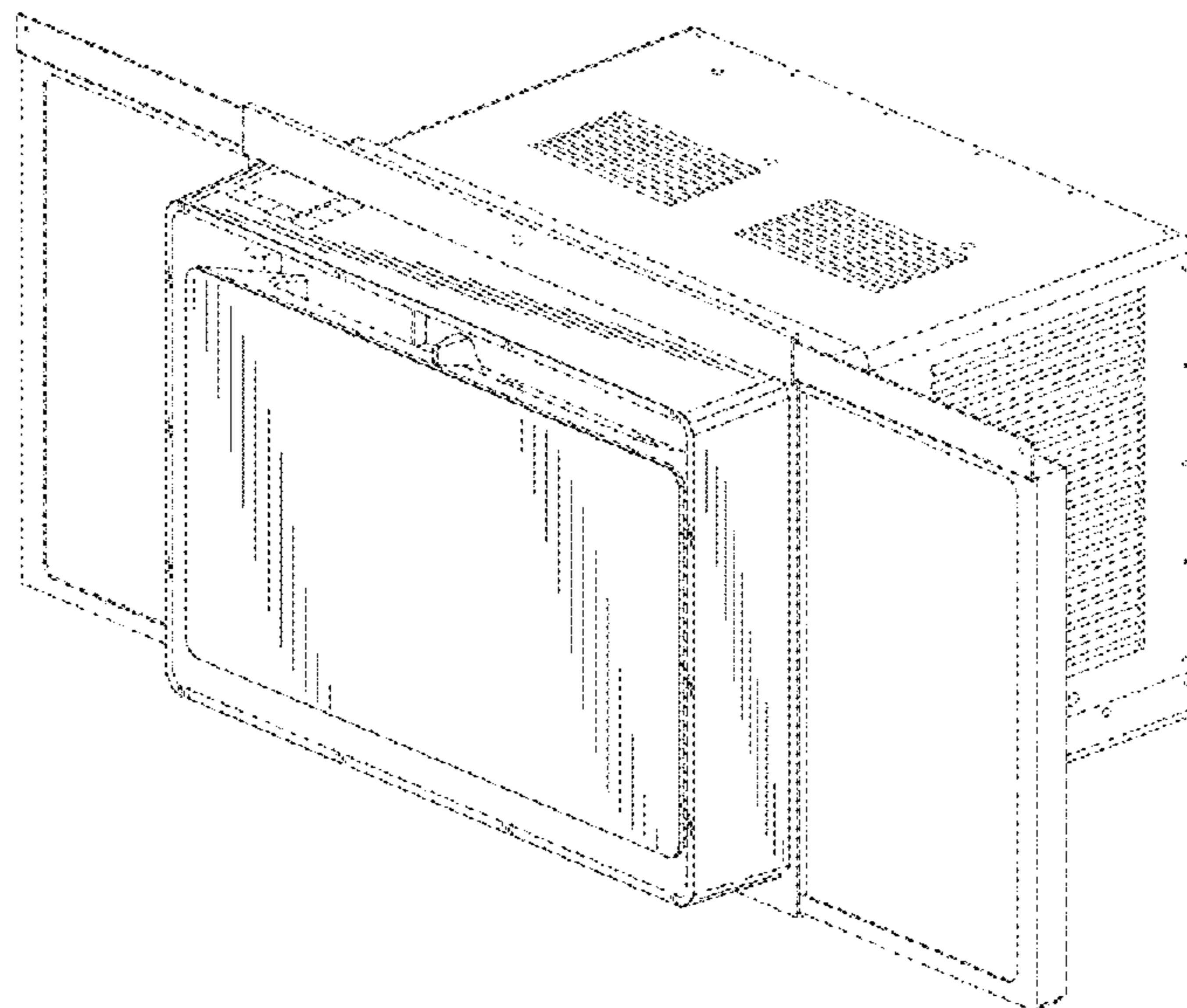
(52) **U.S. Cl.**  
USPC ..... **D23/351**

(58) **Field of Classification Search**  
USPC ..... D23/333, 351–354, 388, 393  
CPC .... F24F 1/00; F24F 1/0007; F24F 1/02; F24F 1/08; F24F 1/42; F24F 1/56; F24F 1/60; F24F 3/044; F24F 3/048; F24F 3/16; G05D 23/1905; G05D 23/1932; G05D 23/1902; G05D 23/1931; G05B 19/0426; G05B 19/409; G05B 15/02

See application file for complete search history.

FIG. 1 is a front perspective view of an air conditioner in accordance with a first embodiment of the present design; FIG. 2 is a front view thereof; FIG. 3 is a rear view thereof; FIG. 4 is a first side view thereof; FIG. 5 is a second side view thereof; FIG. 6 is a top view thereof; FIG. 7 is a bottom view thereof; FIG. 8 is a front perspective view of an air conditioner in accordance with a second embodiment of the present design; FIG. 9 is a front view thereof; FIG. 10 is a rear view thereof; FIG. 11 is a first side view thereof; FIG. 12 is a second side view thereof; FIG. 13 is a top view thereof; and, FIG. 14 is a bottom view thereof. The broken lines in the drawings illustrate portions of air conditioner which form no part of the claimed design.

**1 Claim, 12 Drawing Sheets**



(56)

**References Cited**

U.S. PATENT DOCUMENTS

D738,756 S \* 9/2015 Jiang ..... D10/50  
D744,433 S \* 12/2015 Baumgartner ..... D10/49  
D758,217 S \* 6/2016 Kumfer ..... D10/50  
D763,203 S \* 8/2016 Ikegaya ..... D13/168  
D824,501 S \* 7/2018 Long ..... D23/351  
D868,043 S \* 11/2019 Doe ..... D14/230  
D908,099 S \* 1/2021 Kornacki ..... D10/50  
D938,390 S \* 12/2021 Park ..... D14/217  
D938,391 S \* 12/2021 Park ..... D14/217  
D940,289 S \* 1/2022 Hederstierna ..... D23/351  
D941,265 S \* 1/2022 Kim ..... D14/217

\* cited by examiner

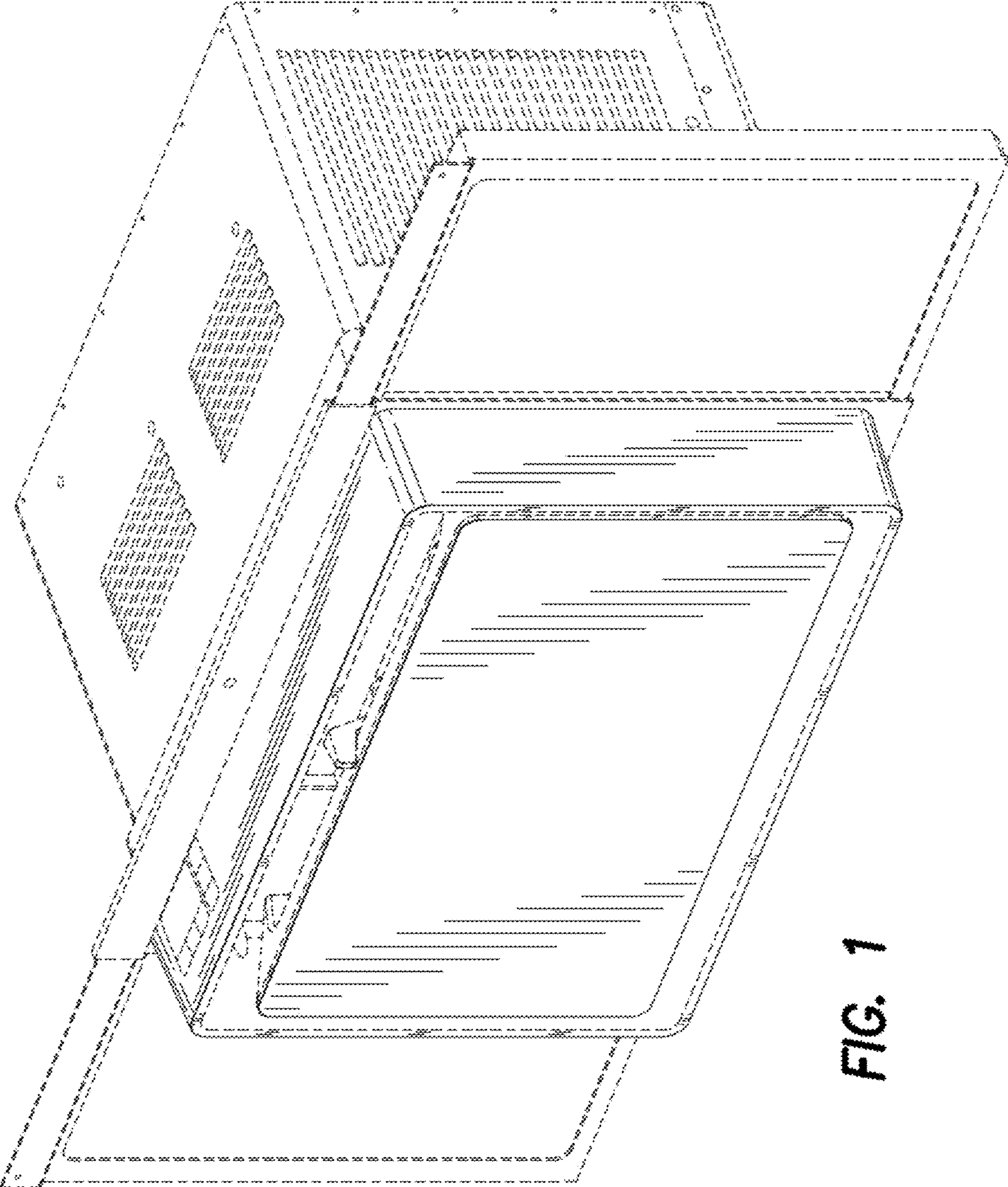


FIG. 1

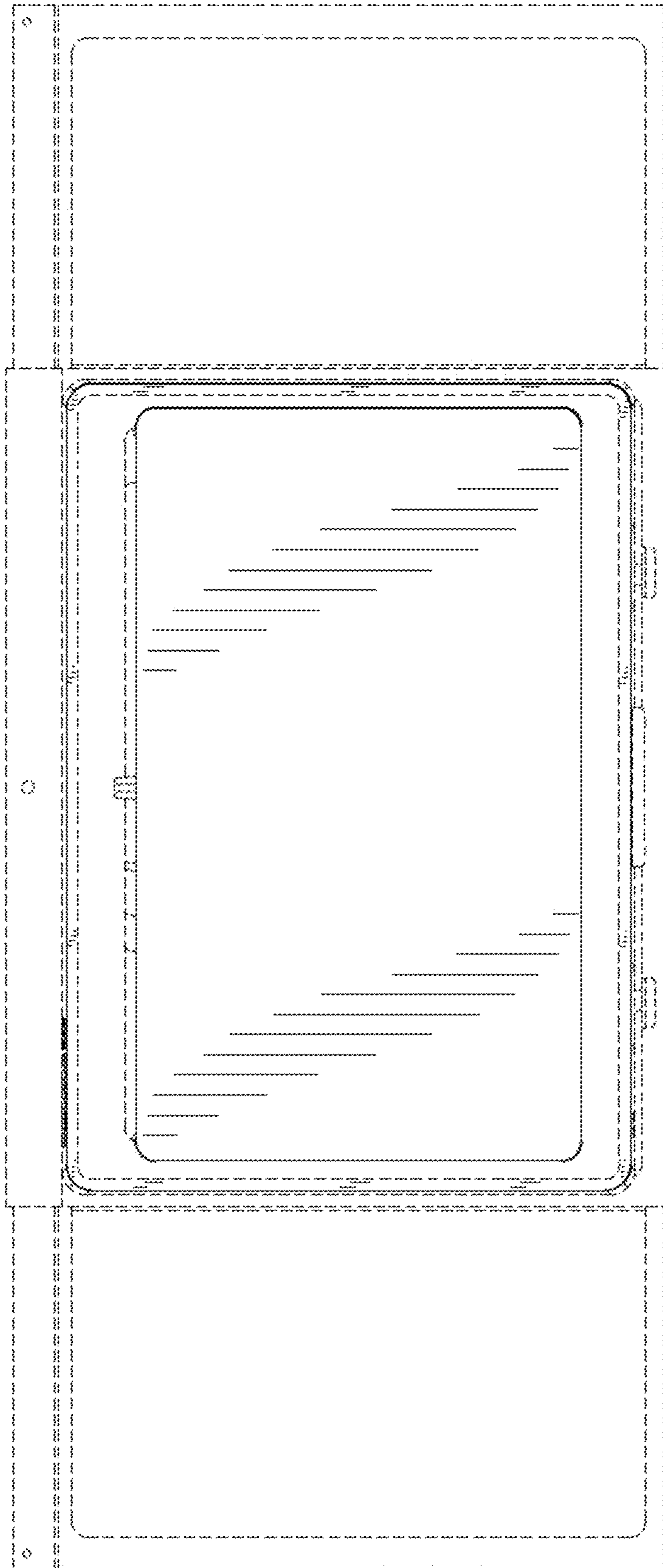


FIG. 2

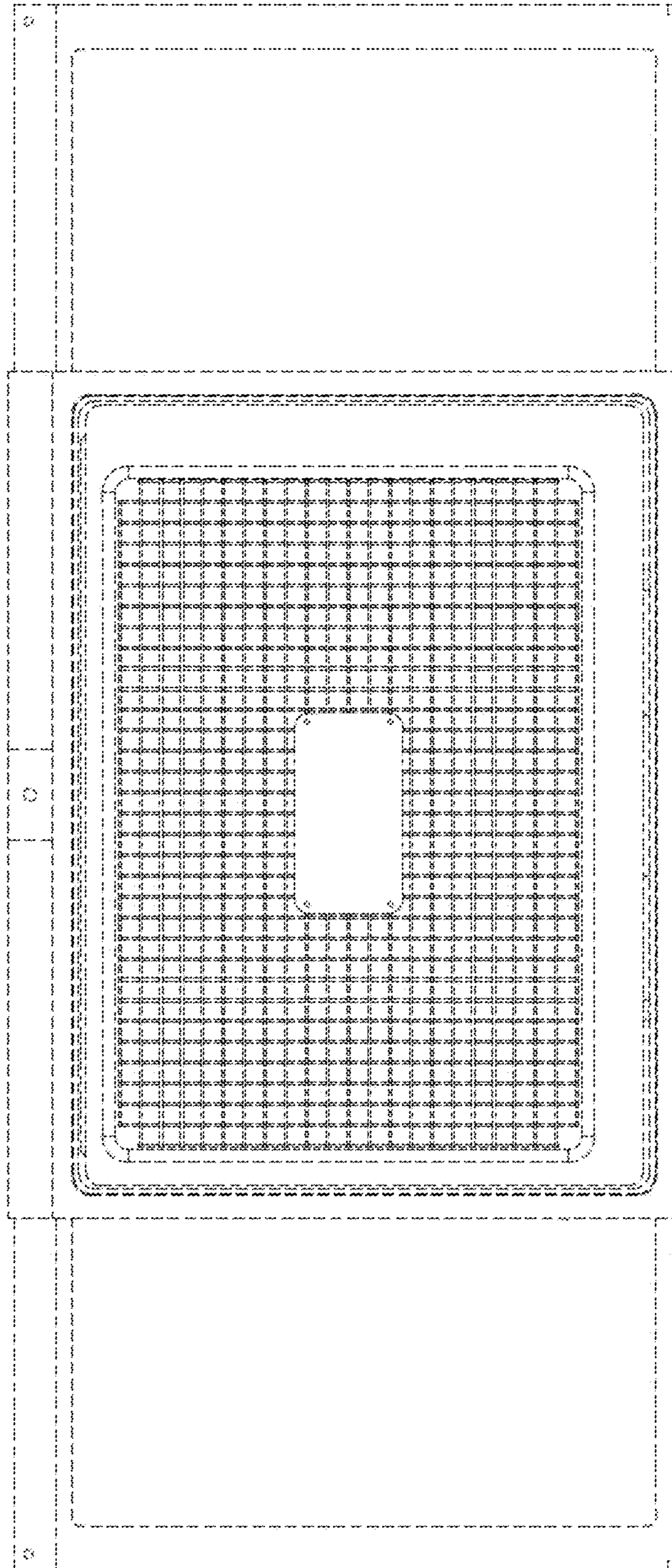


FIG. 3

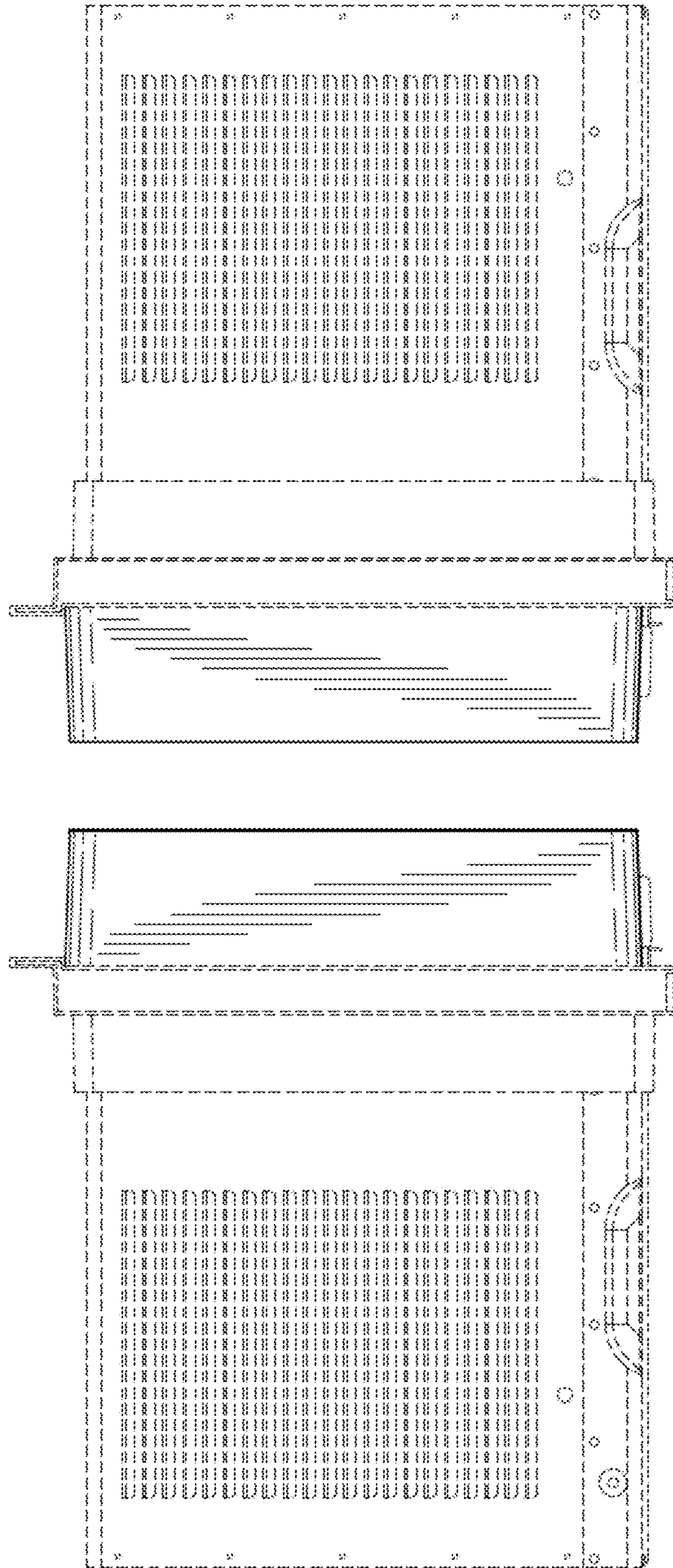


FIG. 5

FIG. 4

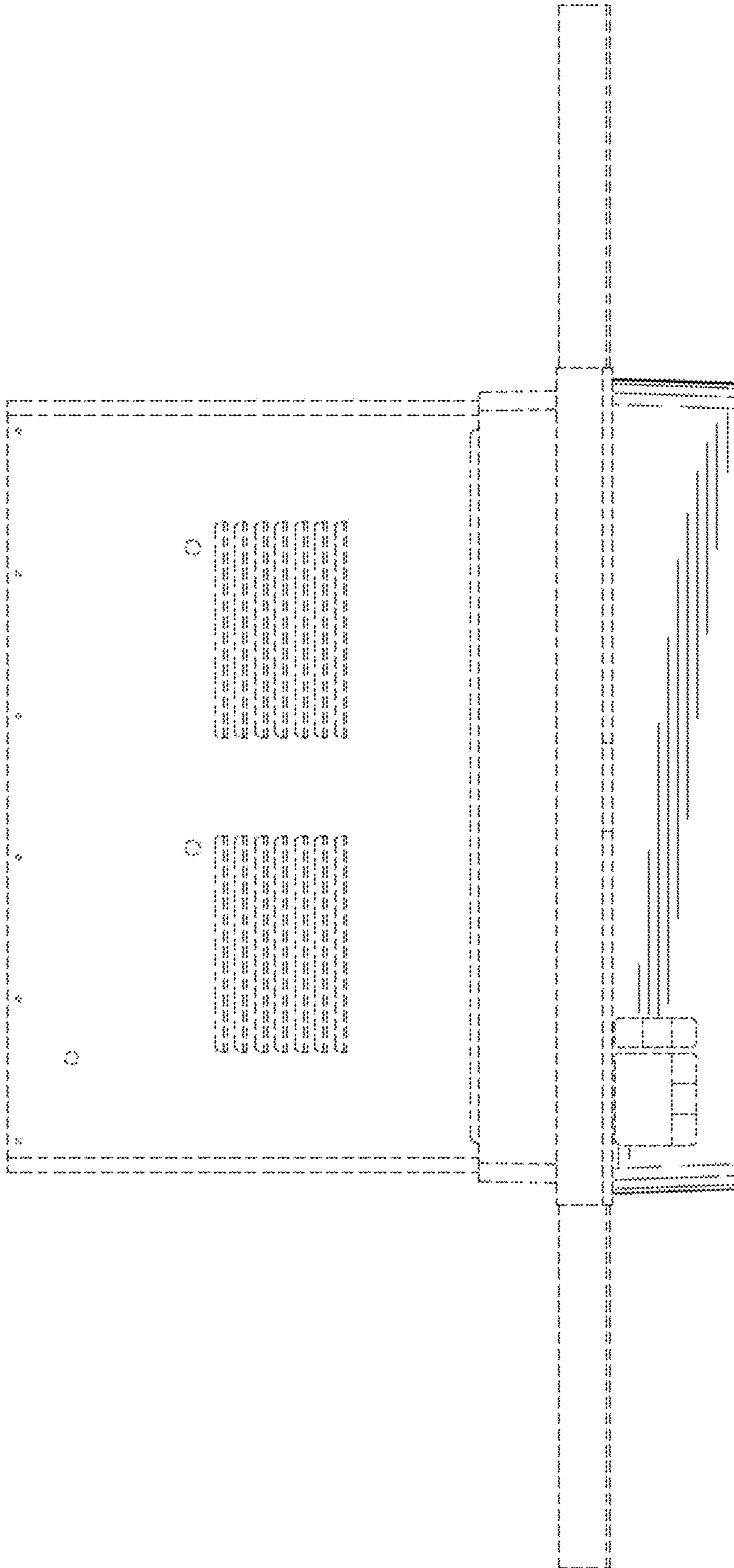


FIG. 6

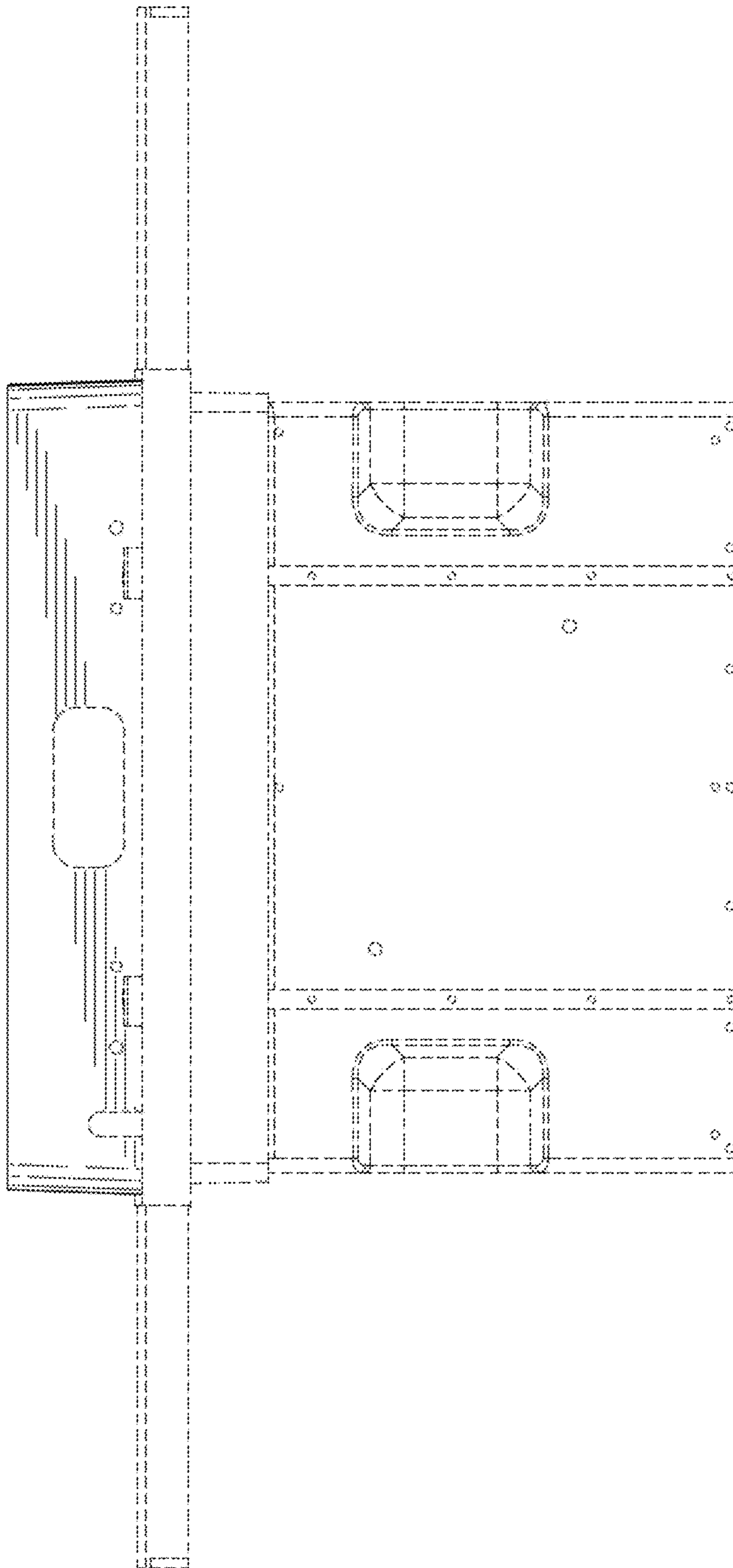


FIG. 7



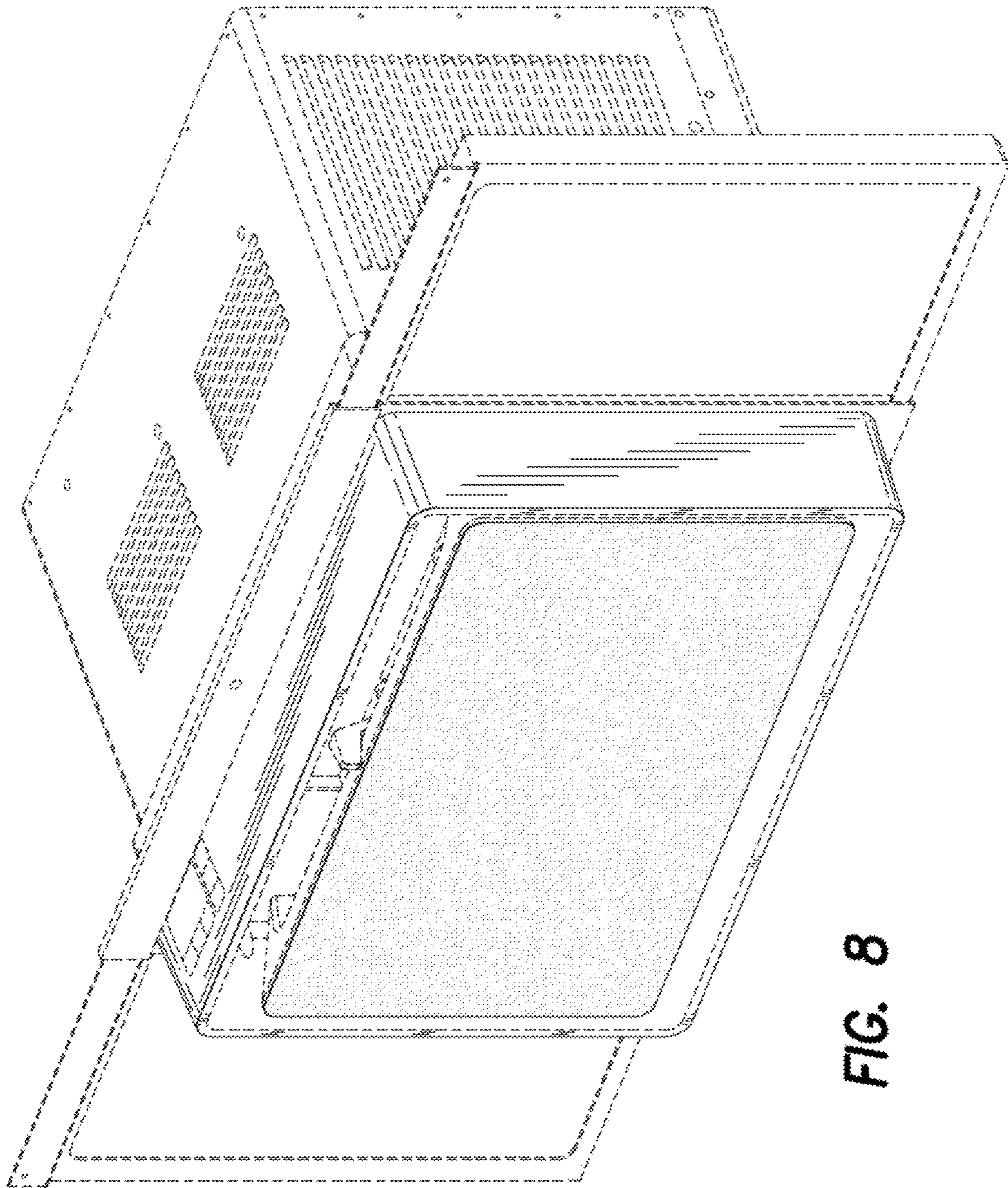


FIG. 8

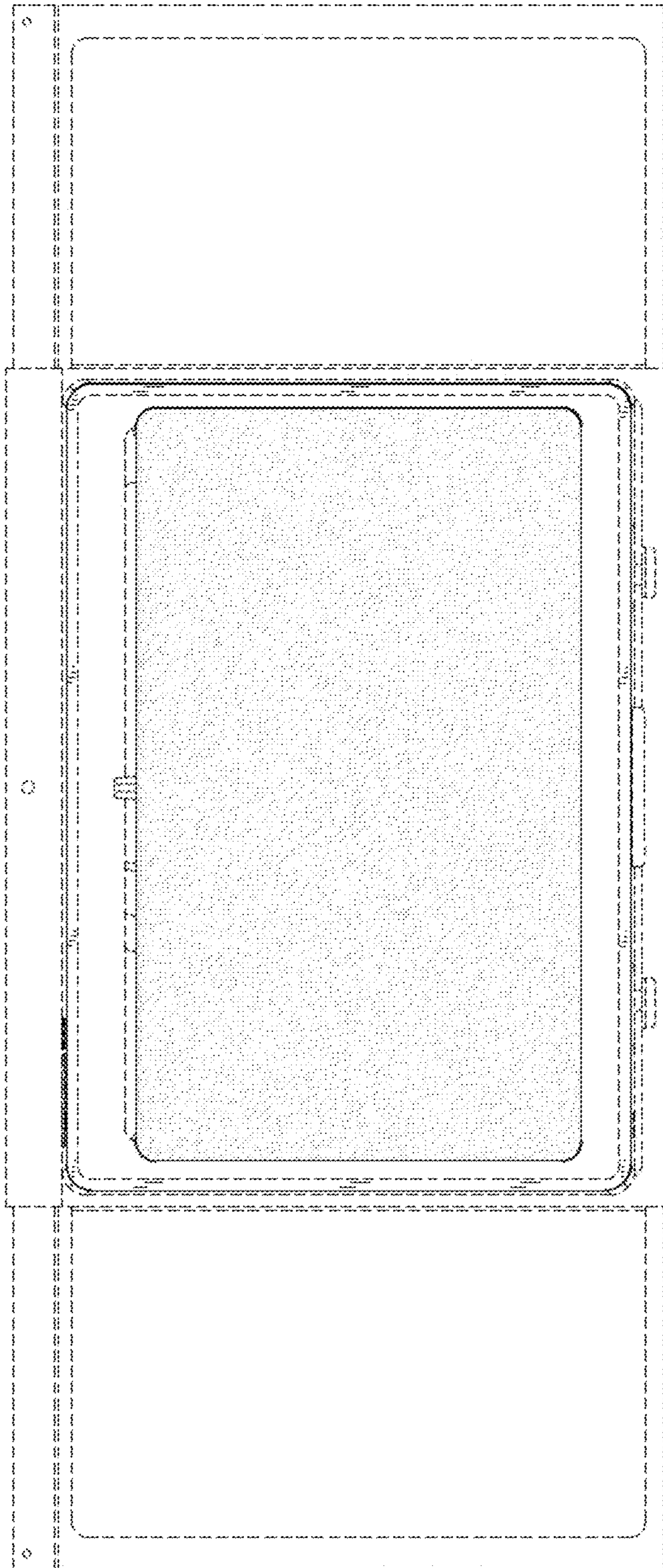


FIG. 9

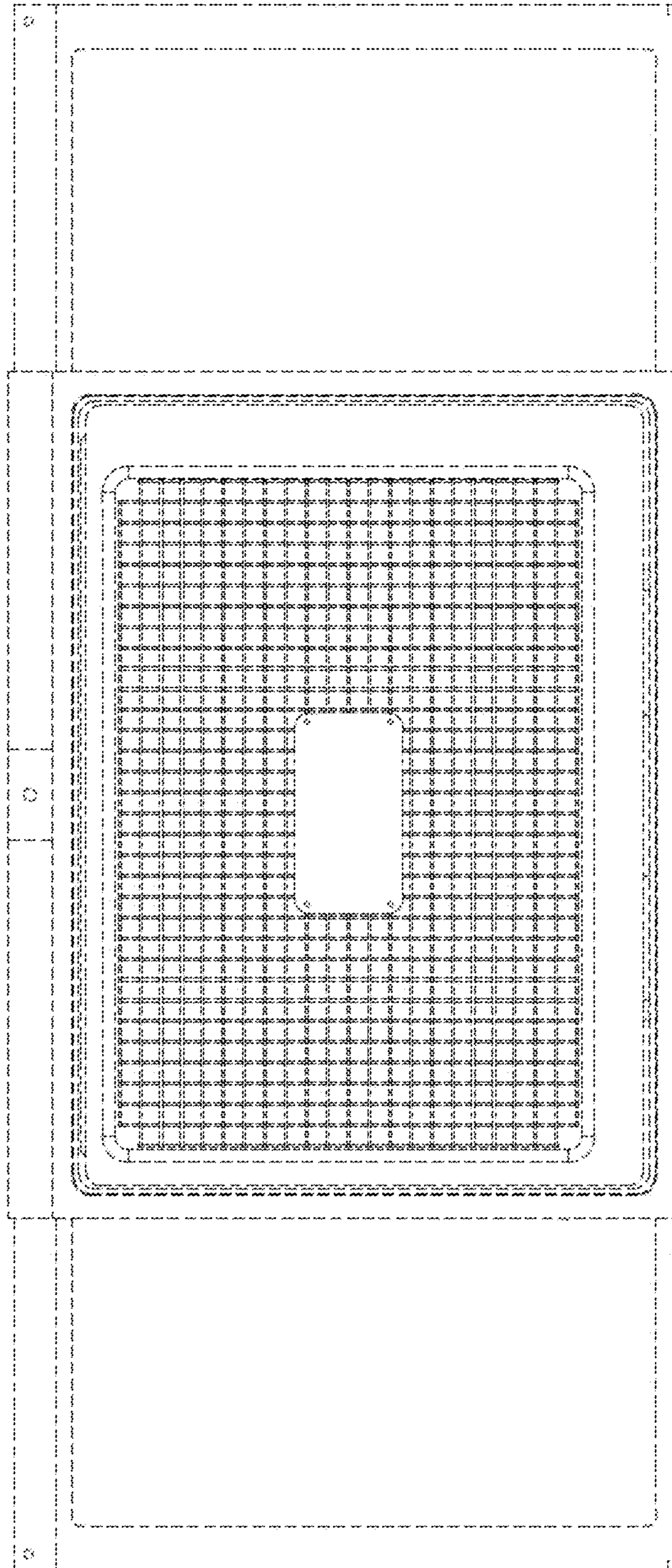


FIG. 10

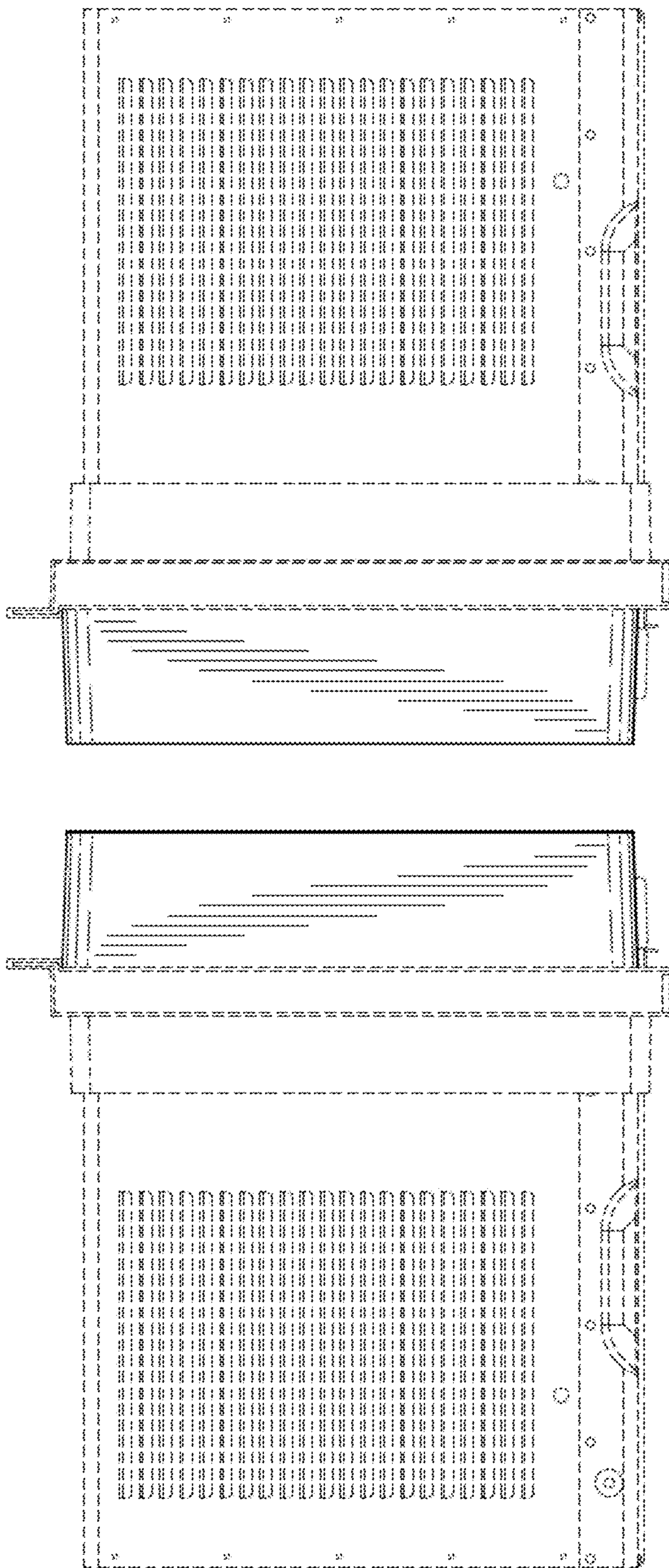


FIG. 12

FIG. 11

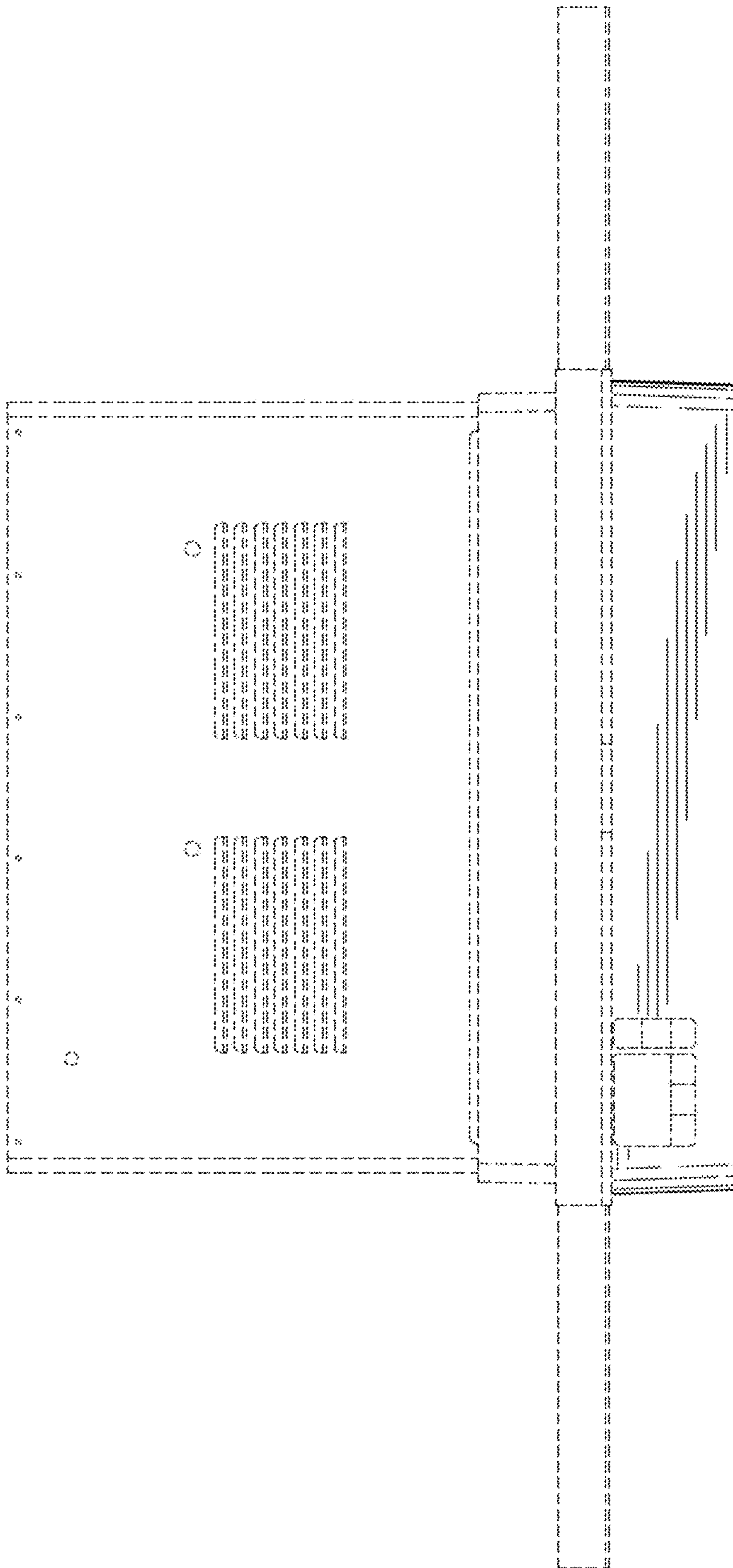


FIG. 13

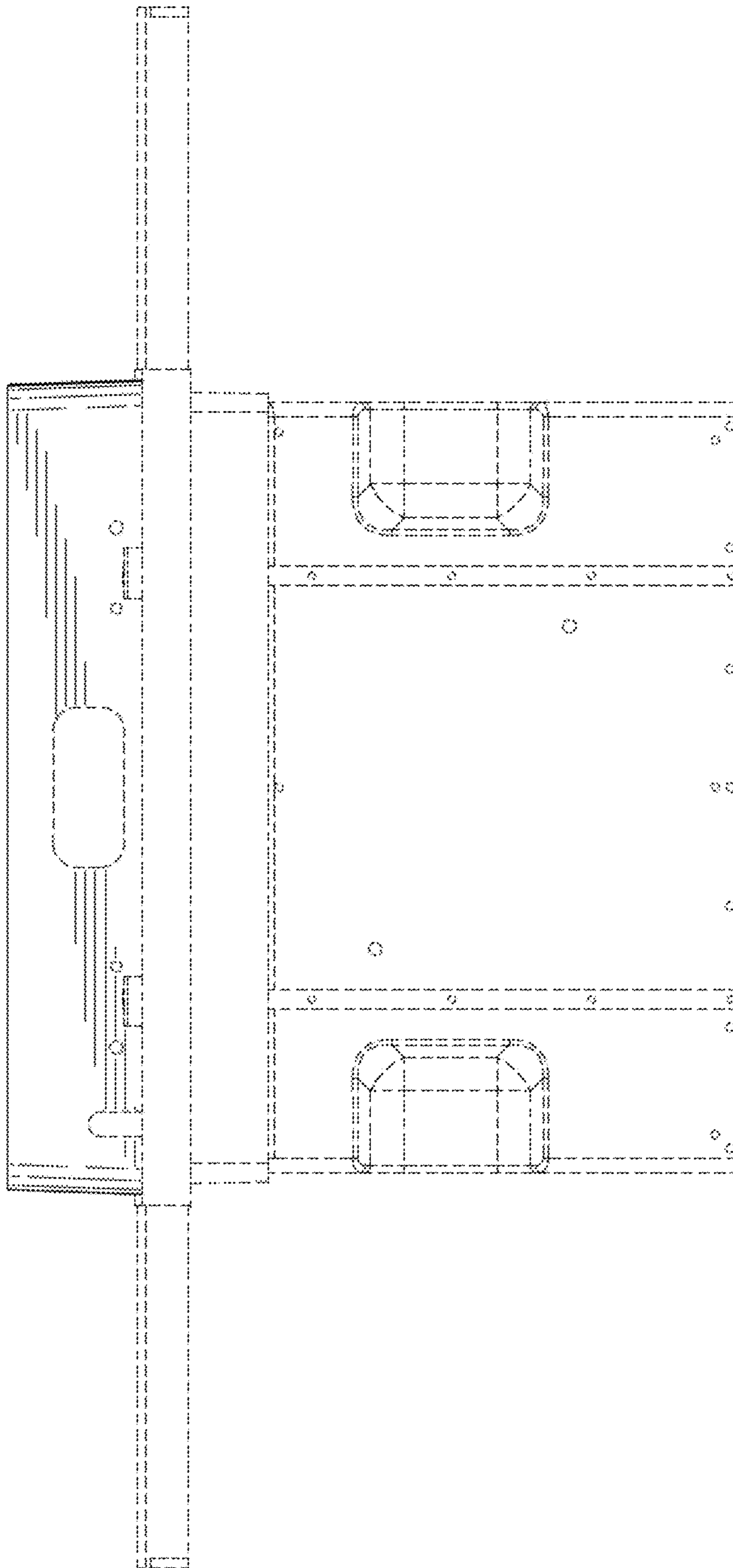


FIG. 14