



US00D989259S

(12) **United States Design Patent**
Zhang

(10) **Patent No.:** **US D989,259 S**
(45) **Date of Patent:** **** Jun. 13, 2023**

- (54) **SPACE HEATER**
- (71) Applicant: **Xiaohua Zhang**, Yiwu (CN)
- (72) Inventor: **Xiaohua Zhang**, Yiwu (CN)
- (**) Term: **15 Years**
- (21) Appl. No.: **29/815,790**
- (22) Filed: **Nov. 16, 2021**
- (51) **LOC (14) Cl.** **23-03**
- (52) **U.S. Cl.**
USPC **D23/335**
- (58) **Field of Classification Search**
USPC D23/314, 330, 332, 334, 335, 336, 337,
D23/338, 339, 340, 341, 355, 356, 364,
D23/370, 381, 382, 318
CPC F24H 3/002; F24H 9/2071; F24H 2250/00;
F24H 9/0052; F24H 9/0057; F24H 9/02;
F24H 9/1863; F24H 9/1854; F24H
9/1872; F24H 3/0411; F24H 3/0417
See application file for complete search history.

D881,364 S *	4/2020	Li	D23/355
D882,744 S *	4/2020	Li	D23/355
D884,131 S *	5/2020	Zhu	D23/335
D925,026 S *	7/2021	Chen	D23/364
D951,411 S *	5/2022	Cran	D23/335
D953,506 S *	5/2022	Shen	D23/364
D959,625 S *	8/2022	Lei	D23/335
2015/0257204 A1 *	9/2015	Cohen	F24H 9/2071 219/509

* cited by examiner

Primary Examiner — Ania Aman

(57) **CLAIM**

The ornamental design for a space heater, substantially as shown and described.

DESCRIPTION

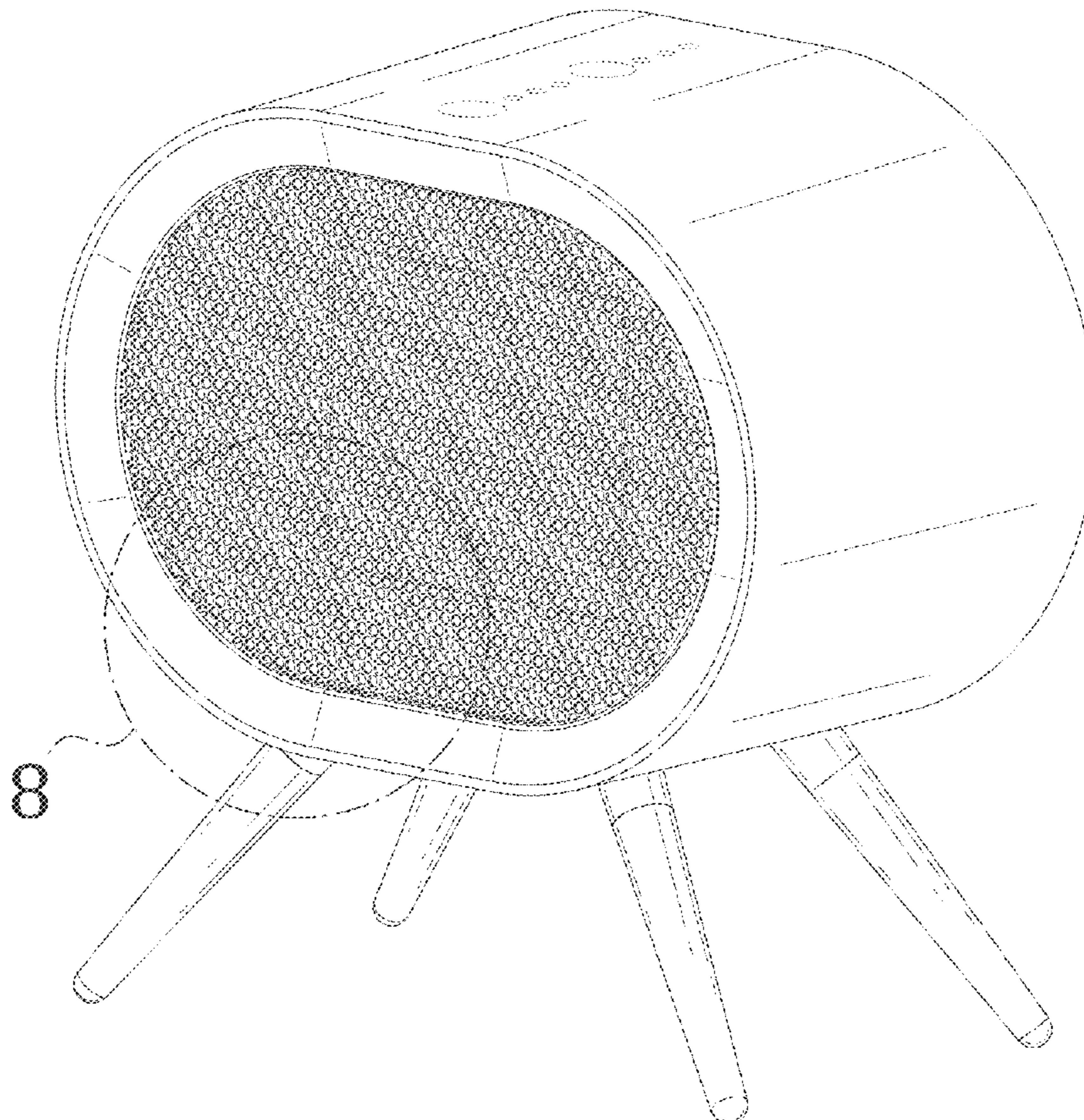
FIG. 1 is a top, front and right side perspective view of a space heater, showing my new design;
 FIG. 2 is a front elevational view thereof;
 FIG. 3 is a rear elevational view thereof;
 FIG. 4 is a left side elevational view thereof;
 FIG. 5 is a right side elevational view thereof;
 FIG. 6 is a top plan view thereof;
 FIG. 7 is a bottom plan view thereof; and,
 FIG. 8 is a partial enlarged view of FIG. 1.
 The dot-dash broken lines in FIGS. 1 and 8 represent boundaries of the enlarged portion and form no part of the claimed design.

1 Claim, 8 Drawing Sheets

(56) **References Cited**

U.S. PATENT DOCUMENTS

D837,355 S *	1/2019	Gunnfur	D23/364
D838,823 S *	1/2019	Yu	D23/364
D859,620 S *	9/2019	Le	D23/335



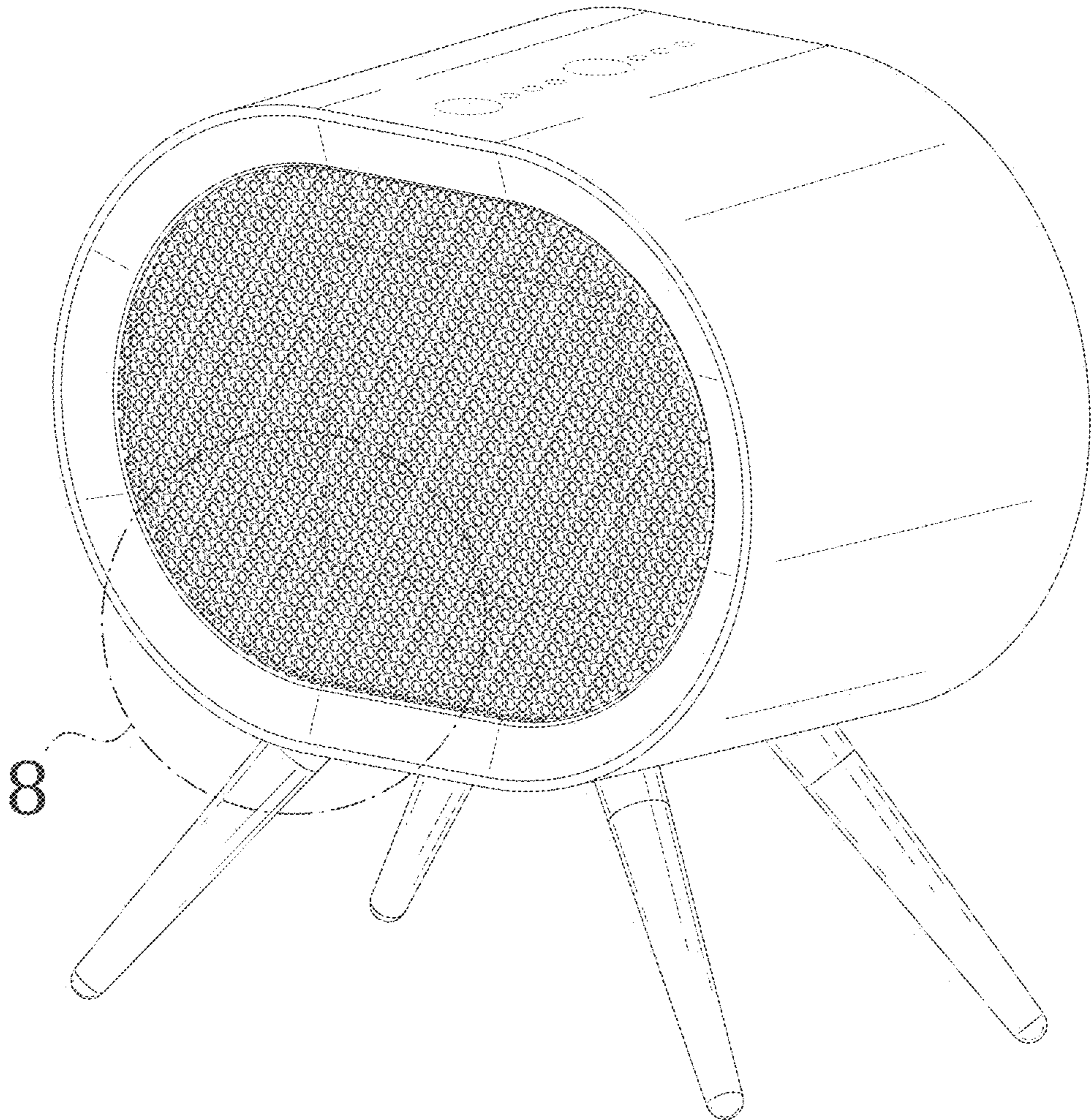


FIG. 1

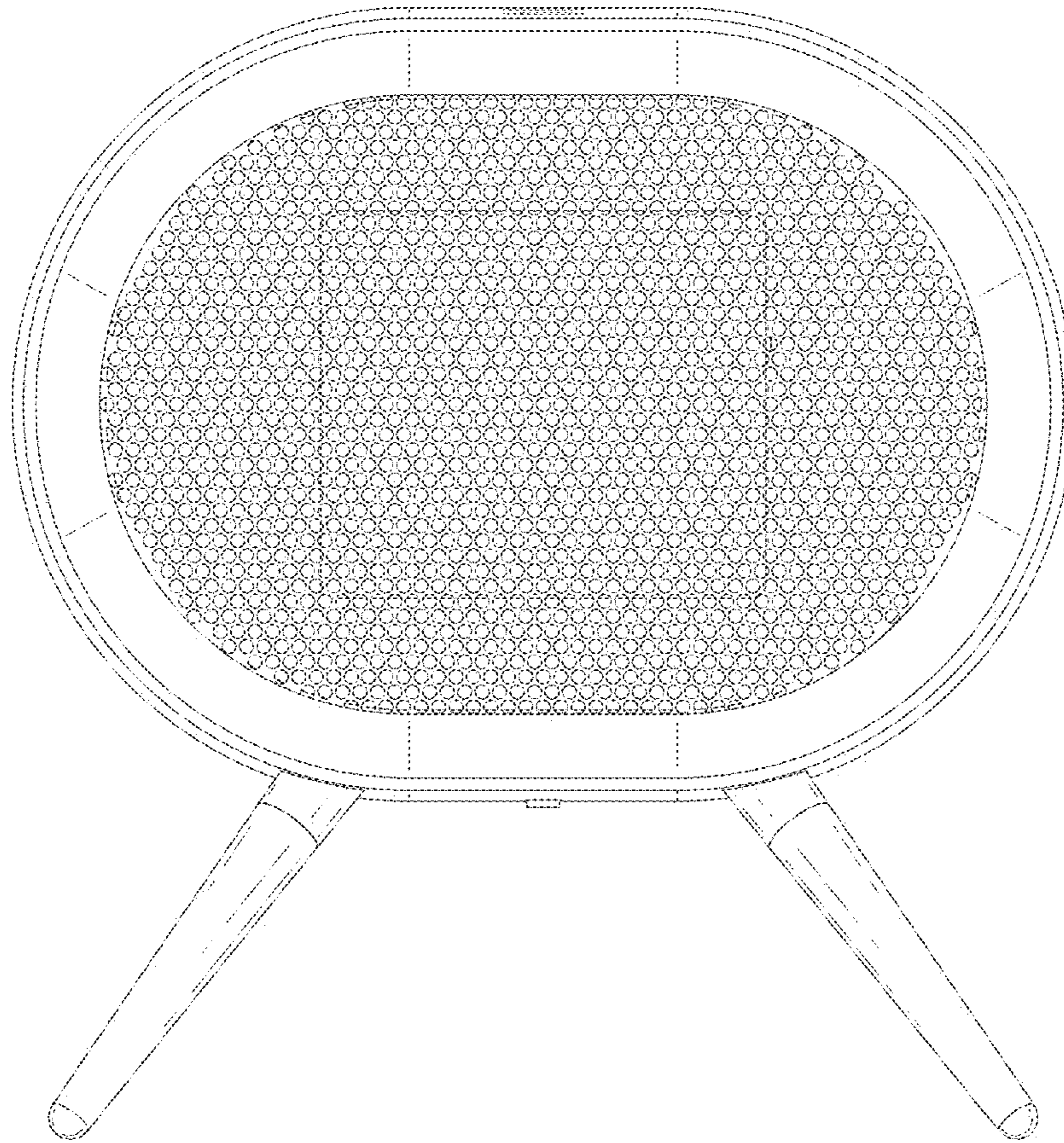


FIG. 2

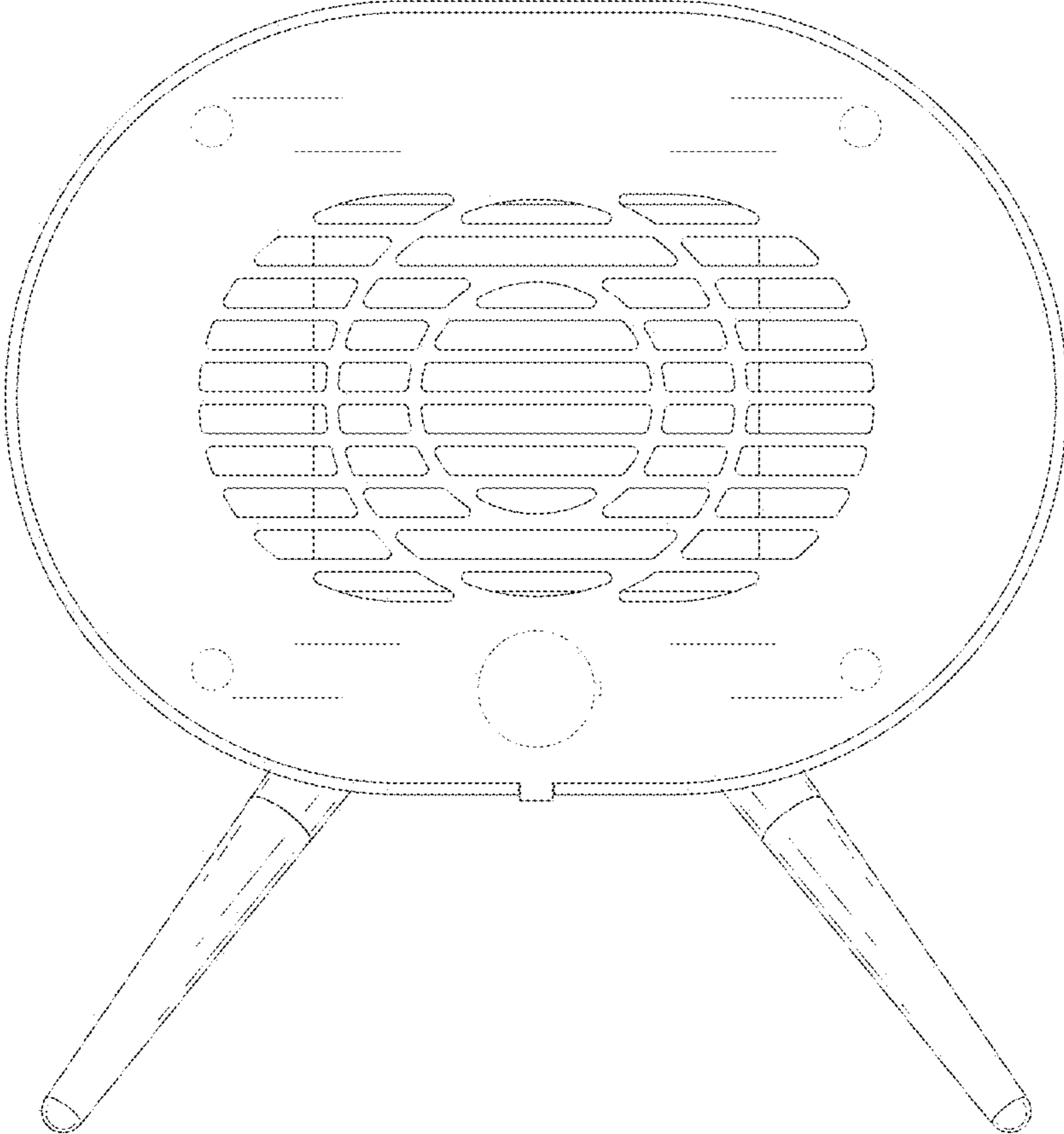


FIG. 3

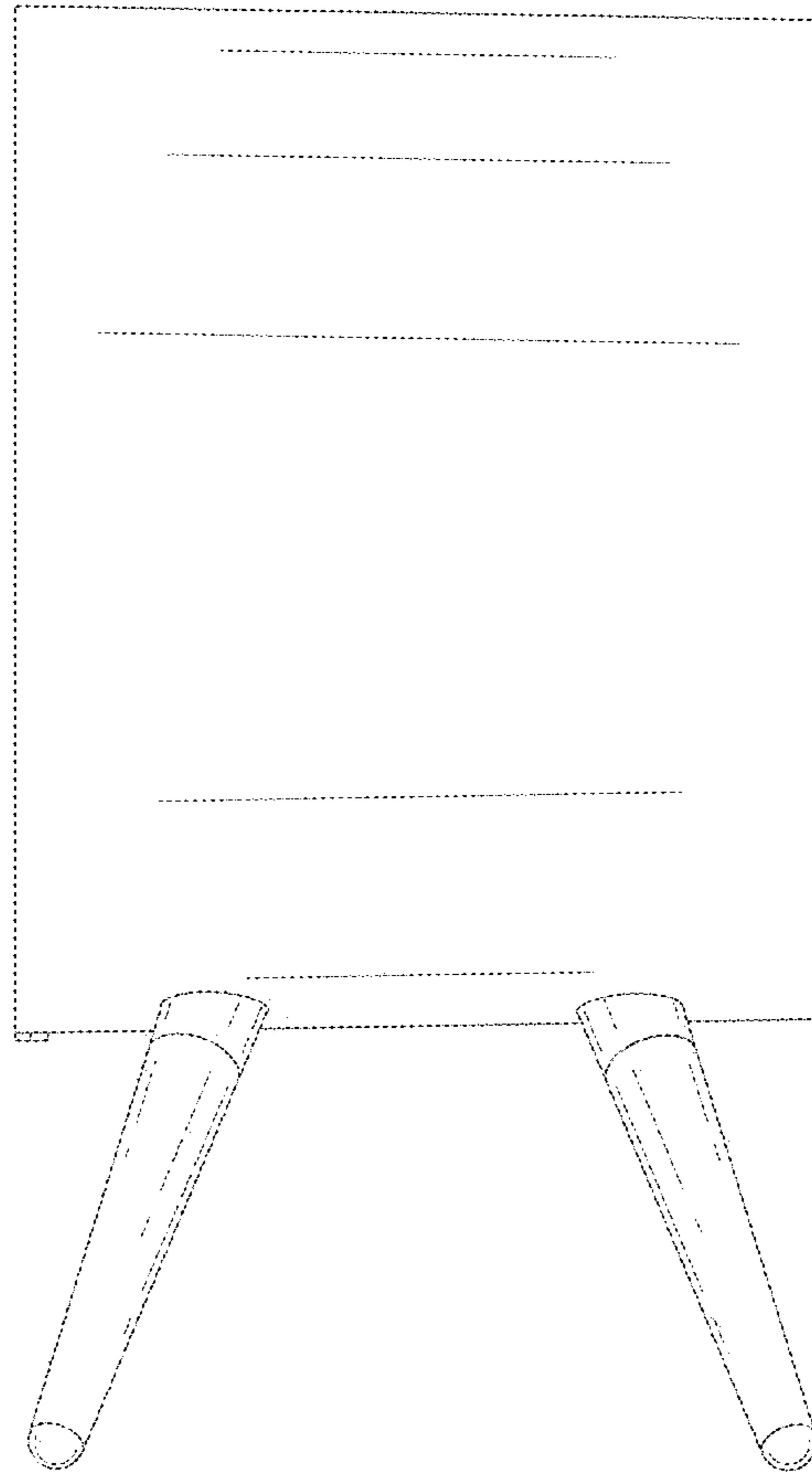


FIG. 4

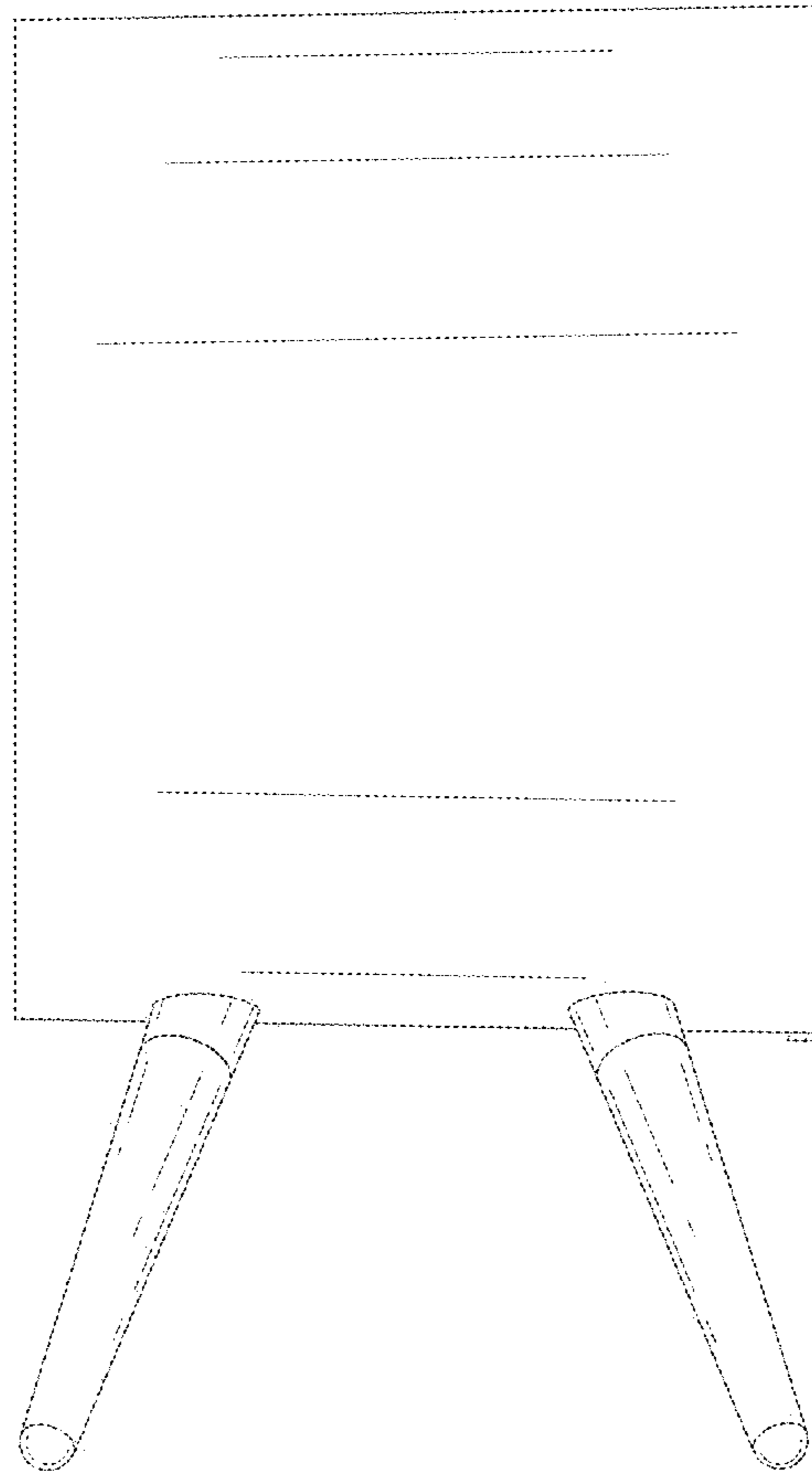


FIG. 5

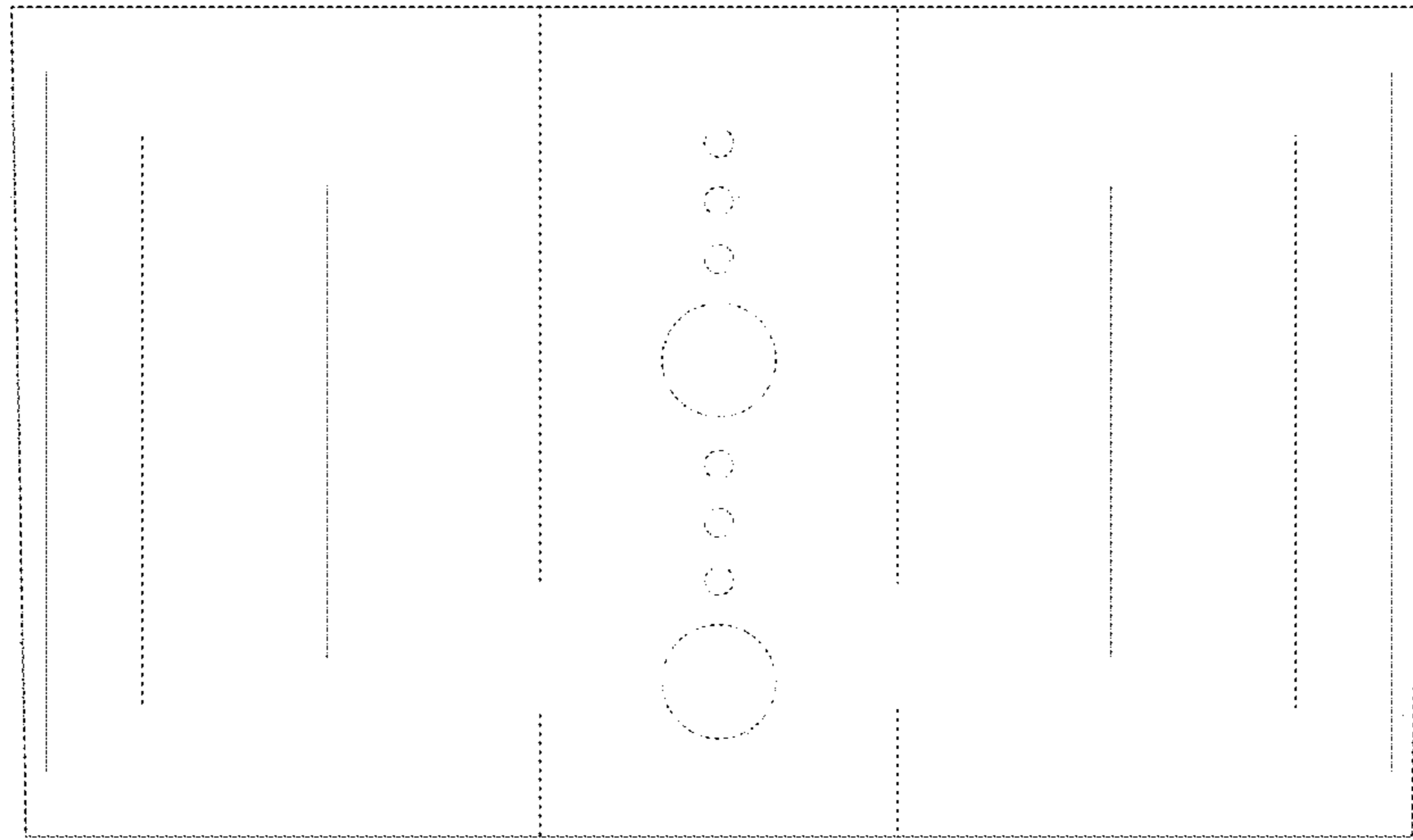


FIG. 6

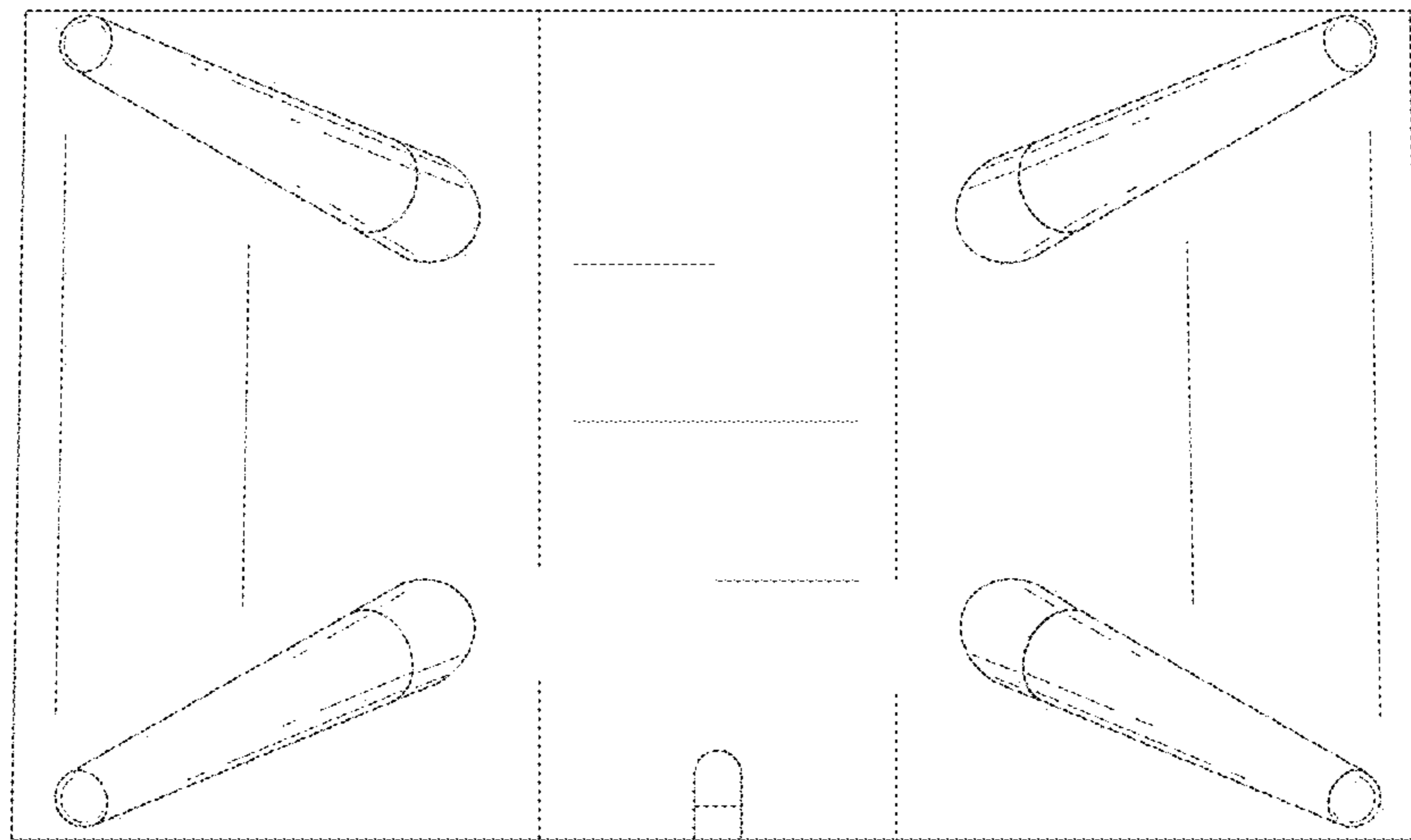


FIG. 7

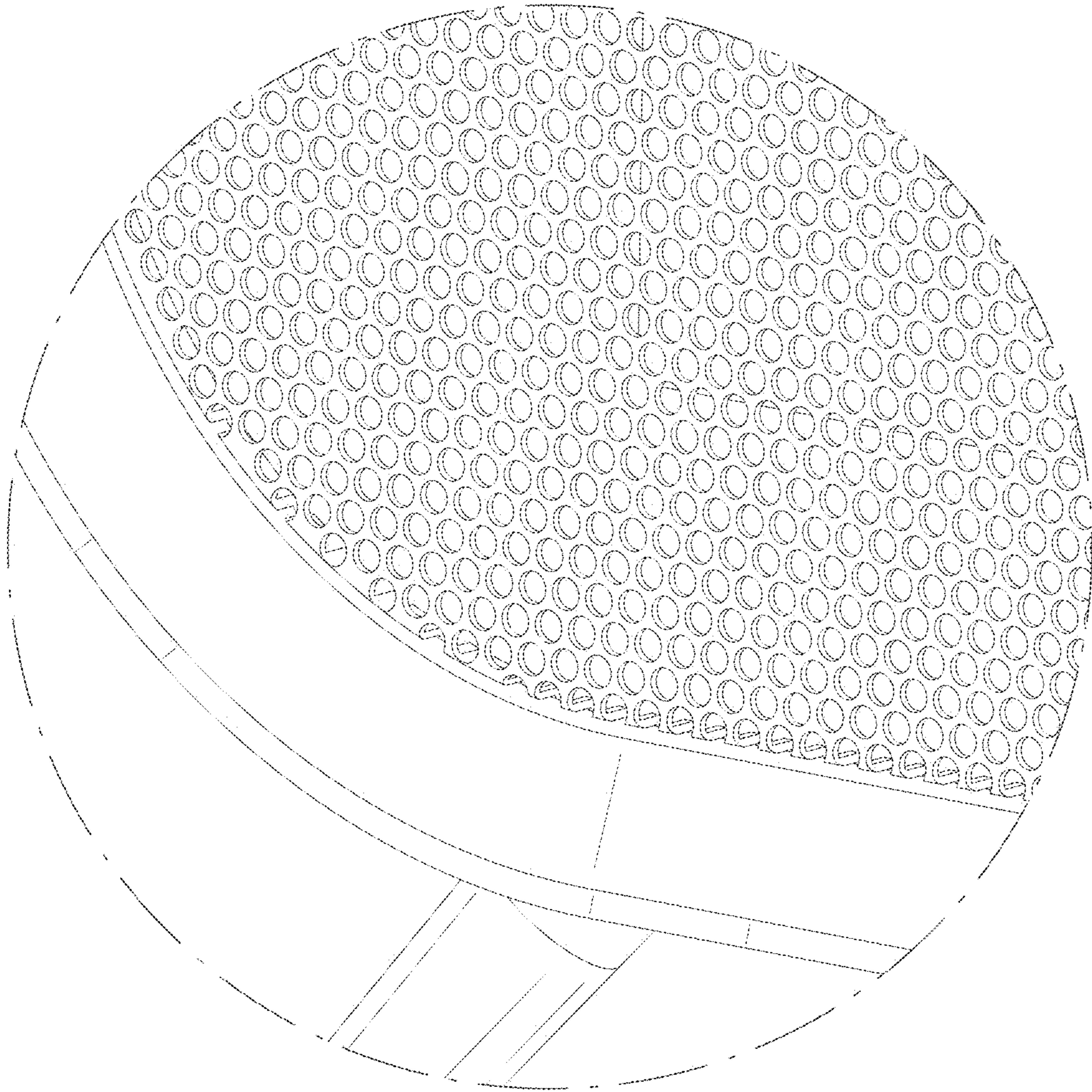


FIG. 8