



US00D989257S

(12) **United States Design Patent**
Samuel

(10) **Patent No.:** **US D989,257 S**
(45) **Date of Patent:** **** Jun. 13, 2023**

(54) **TABLETOP COOLING DEVICE**
(71) Applicants: **Sivan Golan**, Ein Habsor (IL); **Shlomo Stern**, Ein Habsor (IL)
(72) Inventor: **Tom Samuel**, Petah Tikva (IL)
(73) Assignees: **Sivan Golan**, Ein Habsor (IL); **Shlomo Stern**, Ein Habsor (IL)

(**) Term: **15 Years**
(21) Appl. No.: **35/514,930**
(22) Filed: **May 17, 2022**

(80) **Hague Agreement Data**
Int. Filing Date: **May 17, 2022**
Int. Reg. No.: **DM/222552**
Int. Reg. Date: **May 17, 2022**
Int. Reg. Pub. Date: **Aug. 12, 2022**

(51) **LOC (14) Cl.** **23-04**
(52) **U.S. Cl.**
USPC **D23/333**
CPC **F28D 1/0473** (2013.01)
(58) **Field of Classification Search**
USPC D23/332, 333, 335, 351–367, 388, 397
CPC F28D 1/0473; F28D 1/0472; F28D 20/02;
F28D 20/003; F28D 2020/0026; F04D
25/06; F04D 29/703; F04D 29/522; F04D
29/5826; F28F 9/013; Y02E 60/14
See application file for complete search history.

(56) **References Cited**
U.S. PATENT DOCUMENTS
2,562,589 A * 7/1951 Uttz F24F 6/04
261/95
2,713,509 A * 7/1955 Long F24F 5/0035
239/326
4,549,693 A * 10/1985 Barlics A61L 9/12
206/0.5

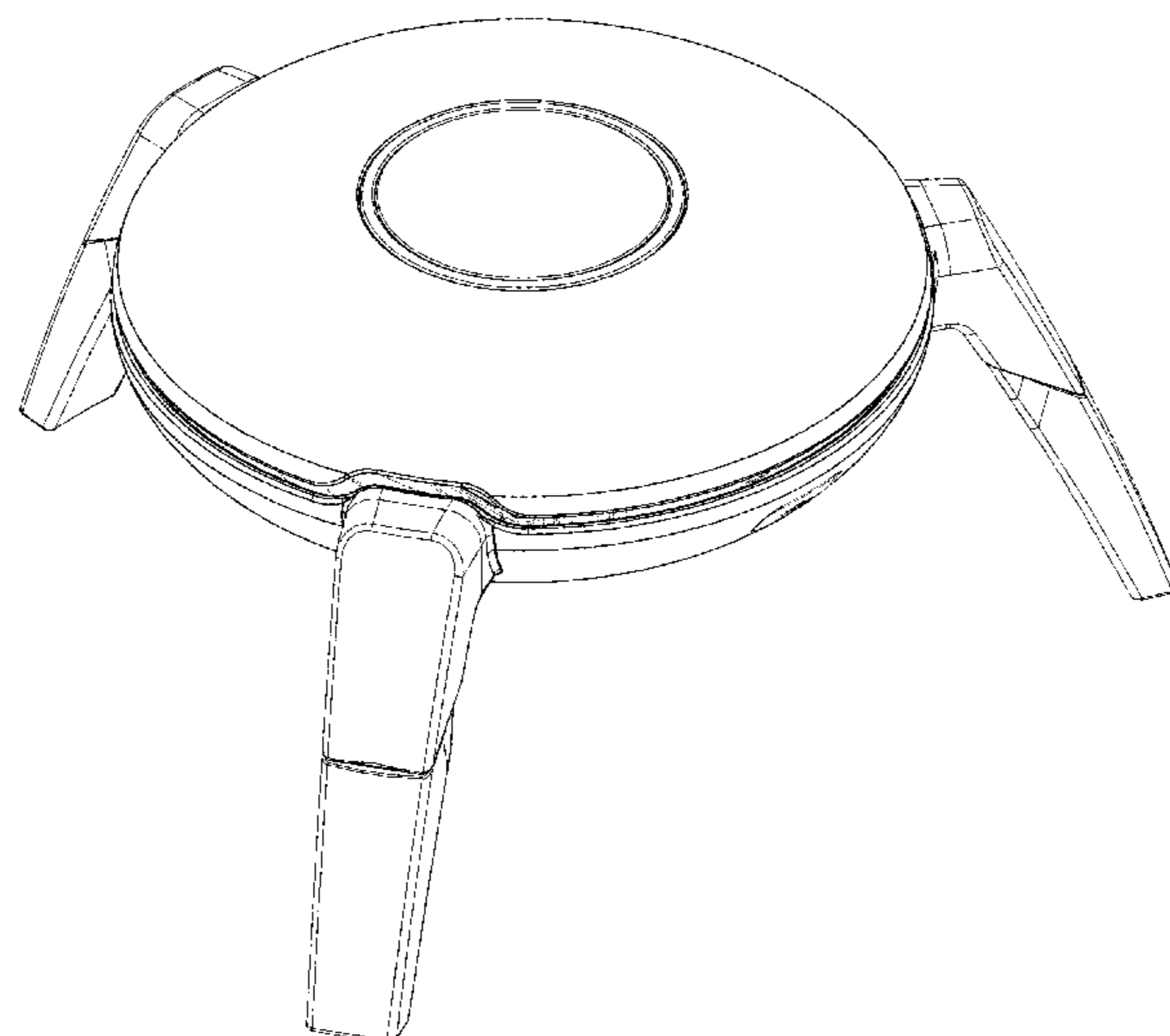
D368,771 S * 4/1996 Patel D9/503
D458,359 S * 6/2002 Blanchette D23/366
D643,092 S * 8/2011 Bandawat B05B 9/0827
D23/231
7,997,565 B1 * 8/2011 Chan F24F 6/043
261/99
D815,720 S * 4/2018 Hu D23/366
D827,115 S * 8/2018 Petersen D23/333
D848,593 S * 5/2019 Exley D23/351
D849,220 S * 5/2019 Fang D23/351
D850,593 S * 6/2019 Petersen D23/333
D852,340 S * 6/2019 Barlettano F24F 1/02
D23/333
10,712,029 B1 * 7/2020 Barlettano F24F 6/04
D905,215 S * 12/2020 Herweck D23/332
D912,791 S * 3/2021 Herweck D23/355
D924,382 S * 7/2021 He D23/333
D948,683 S * 4/2022 Smith D23/343
D975,829 S * 1/2023 Cran D23/333
2014/0260402 A1 * 9/2014 Varma F24F 5/0035
62/314
2020/0363082 A1 * 11/2020 Low F24F 1/022
(Continued)

Primary Examiner — Richard E Chilcot
(74) *Attorney, Agent, or Firm* — Vorys, Sater, Seymour
and Pease LLP; Anthony P. Venturino; Maryellen Feehery
Hank

(57) **CLAIM**
The ornamental design for tabletop cooling device, as shown
and described.

DESCRIPTION
1. Tabletop cooling device
1.1 : Top perspective view
1.2 : Bottom perspective view
1.3 : Back
1.4 : Top
1.5 : Bottom
1.6 : Front
1.7 : Side view
The broken lines do not represent part of the claimed
designs.

1 Claim, 7 Drawing Sheets



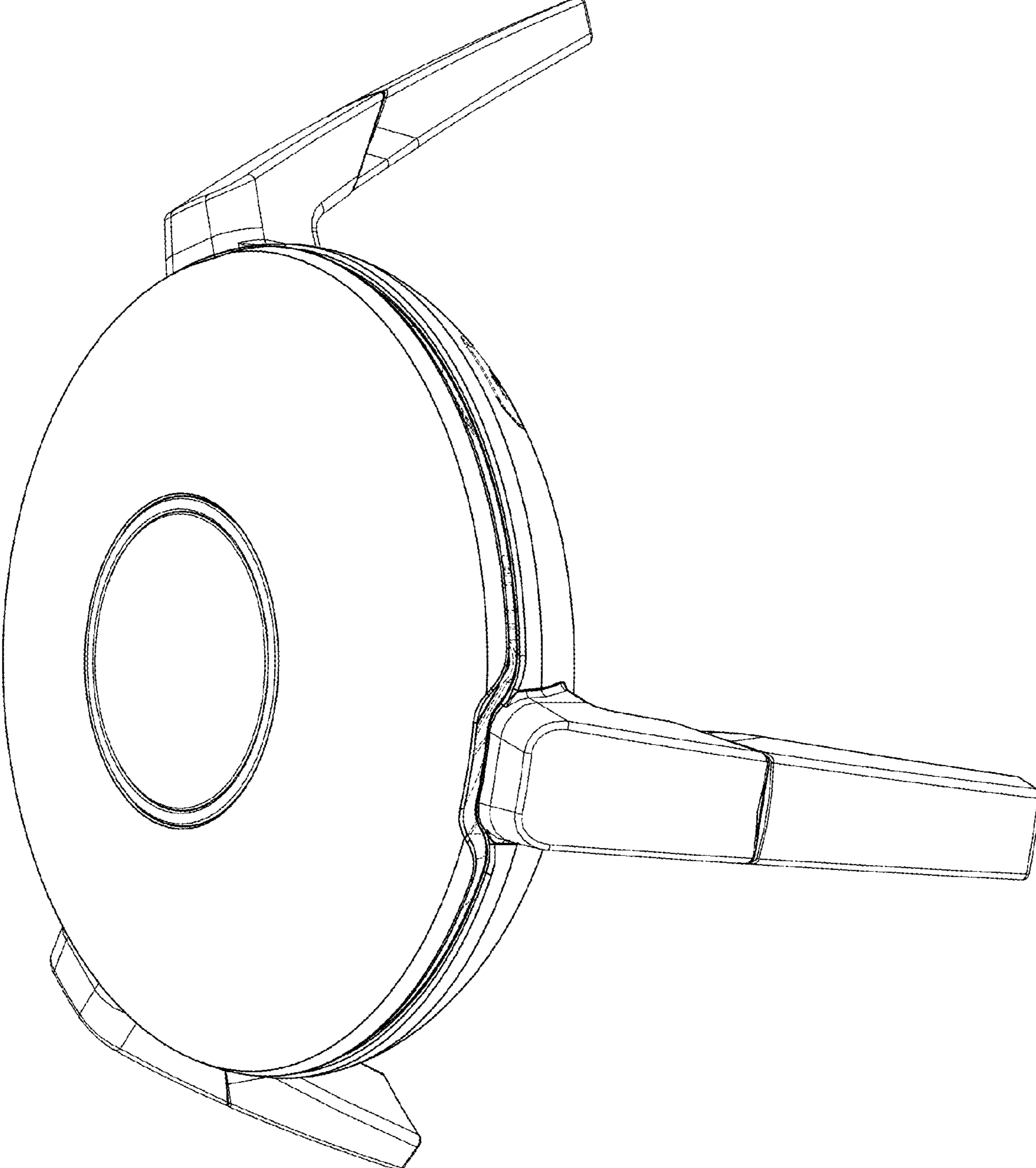
(56)

References Cited

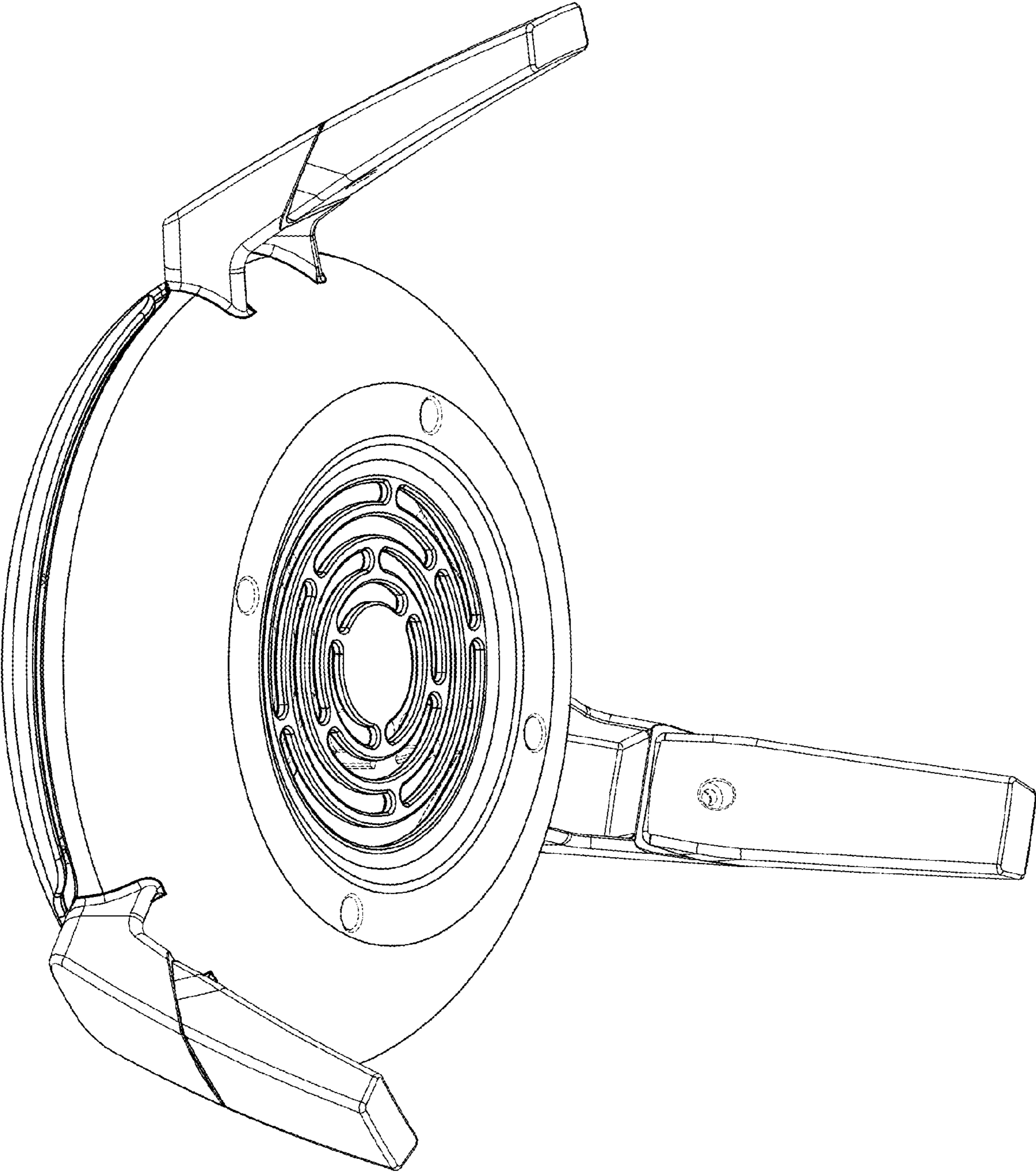
U.S. PATENT DOCUMENTS

2021/0325093 A1* 10/2021 Rosales F24F 5/0017
2022/0057150 A1* 2/2022 Wiggins F28D 1/0473

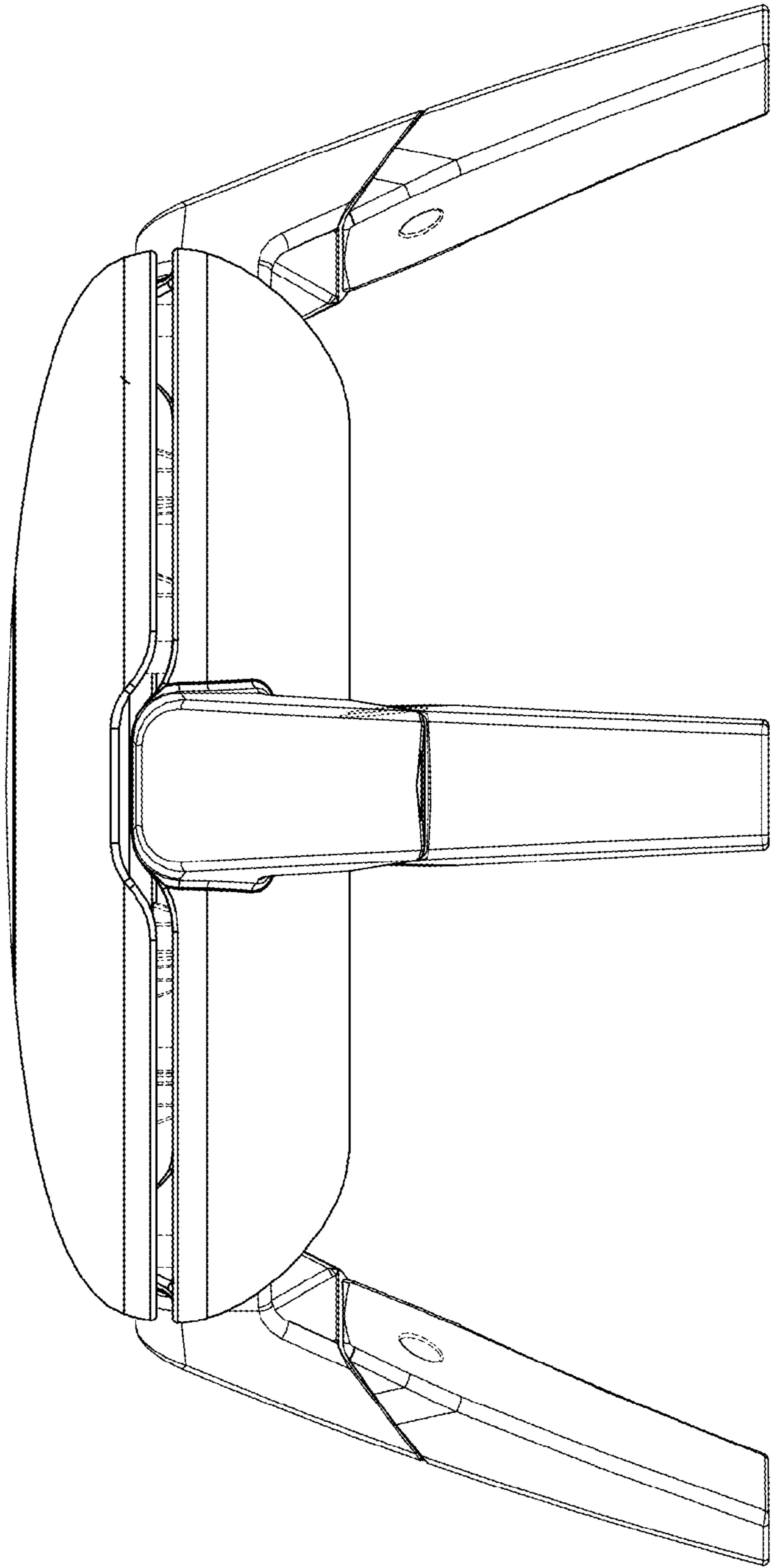
* cited by examiner

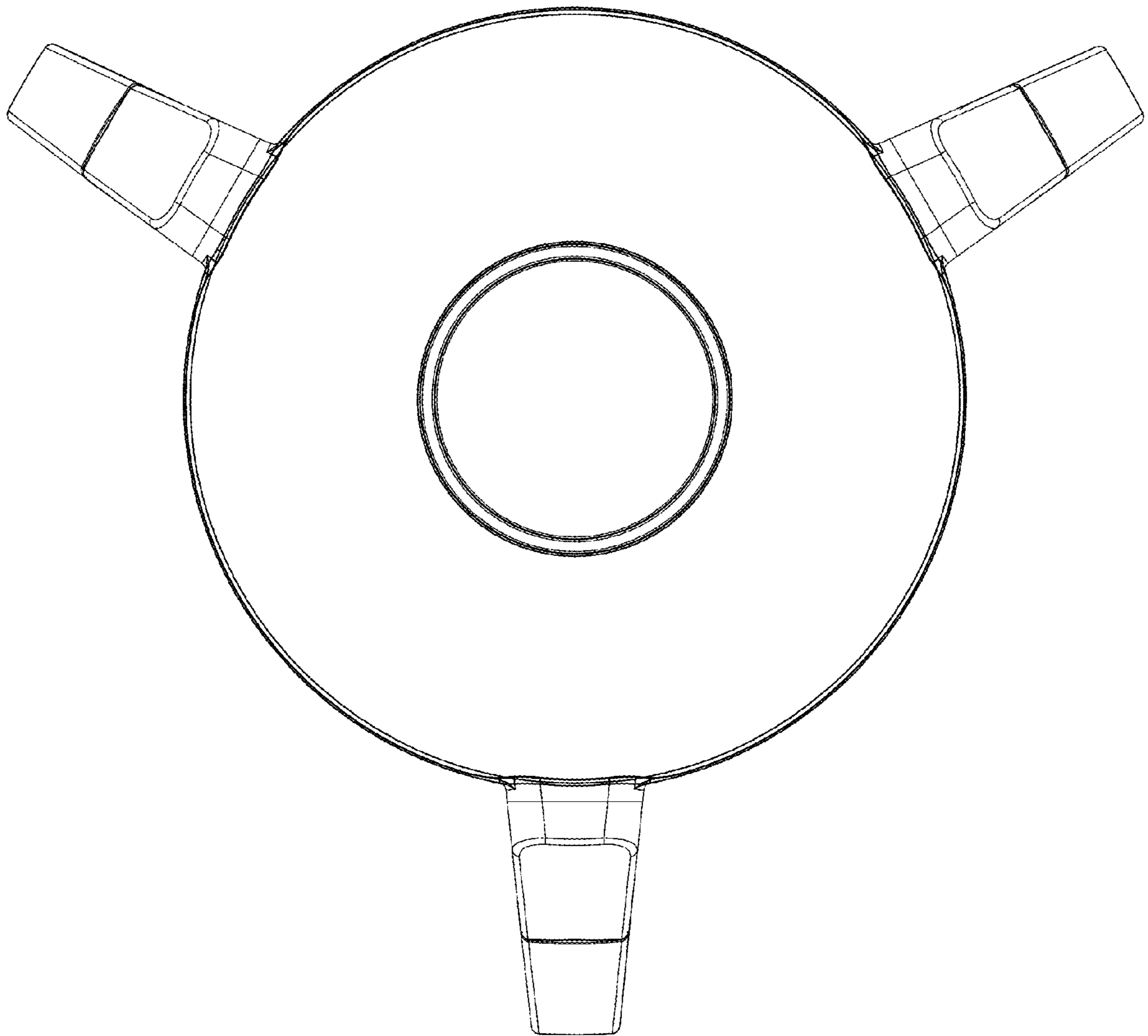


1.1

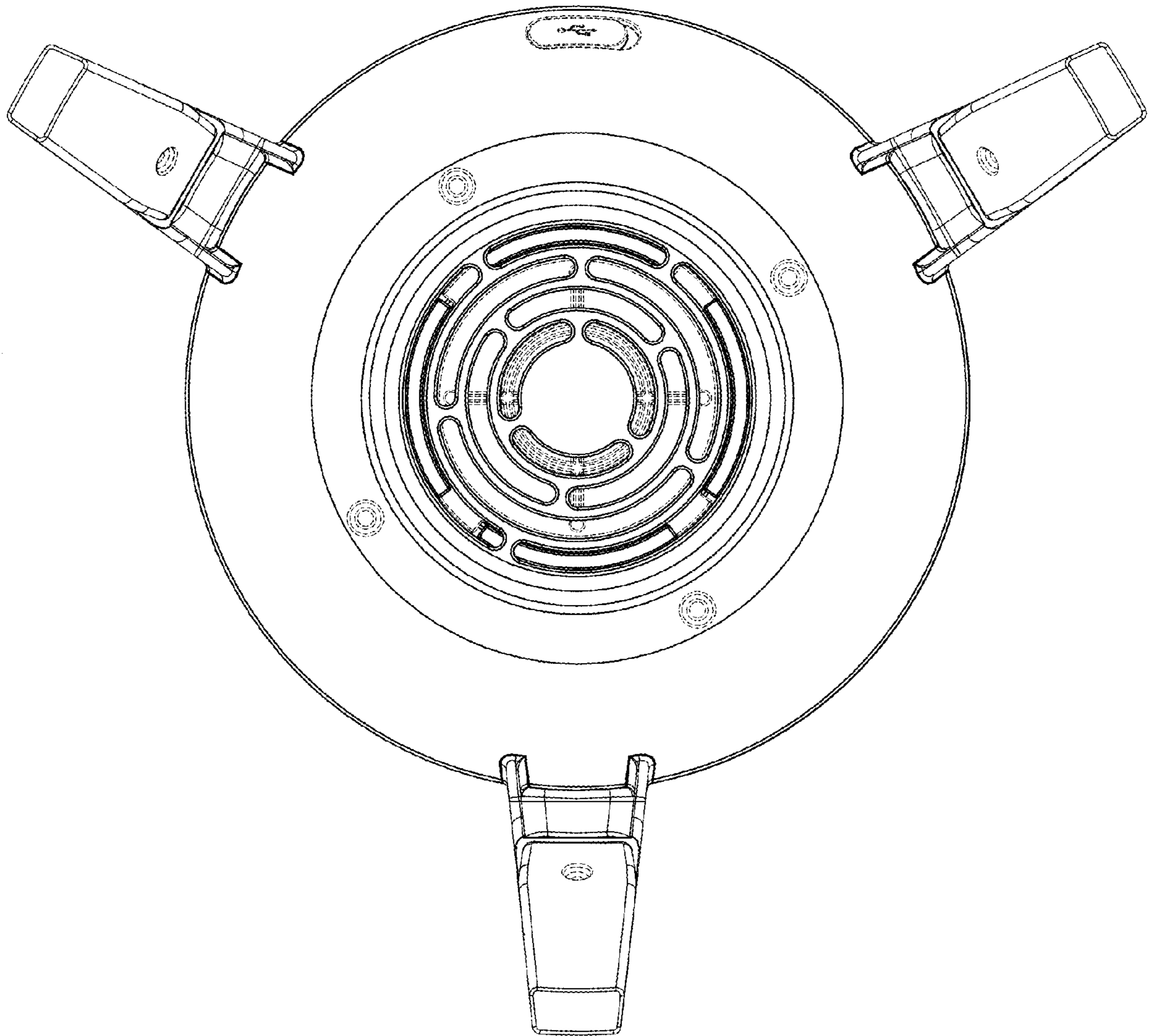


1.2





1.4



1.5

