



US00D989256S

(12) **United States Design Patent**
Ri

(10) **Patent No.:** **US D989,256 S**

(45) **Date of Patent:** **** Jun. 13, 2023**

(54) **AIR CONDITIONER**

(71) Applicant: **FUJITSU GENERAL LIMITED,**
Kawasaki (JP)

(72) Inventor: **Yutai Ri,** Kawasaki (JP)

(73) Assignee: **FUJITSU GENERAL LIMITED,**
Kawasaki (JP)

(**) Term: **15 Years**

(21) Appl. No.: **29/759,669**

(22) Filed: **Nov. 24, 2020**

(30) **Foreign Application Priority Data**

May 28, 2020 (JP) 2020-010511 D
May 28, 2020 (JP) 2020-010512 D

(51) **LOC (14) Cl.** **23-04**

(52) **U.S. Cl.**
USPC **D23/351**

(58) **Field of Classification Search**
USPC D23/318, 317, 325, 328, 332, 333, 342,
D23/351, 353, 355, 356, 357, 361, 370,
D23/378, 379, 385, 403, 411
CPC B01D 46/88; B01D 46/4227; B01D
46/0005; B01D 46/46; B01D 2279/50;
F24F 1/0011; F24F 1/0073; F24F 1/0057;
F24F 1/0014; F24F 13/20; F24F 11/74;
F24F 1/0067; F24F 13/12; F24F 2221/26;
F24F 7/013; F24F 13/28; F24F 1/0358;
F04D 5/12; F04D 27/004; F04D 29/601;
E06B 7/02; A61L 9/12; H01H 19/00;
H01H 13/705; B60K 35/00; G01D 11/28;
G05G 1/015

See application file for complete search history.

(56) **References Cited**

U.S. PATENT DOCUMENTS

D323,209 S * 1/1992 Fukumoto D23/351
D469,173 S * 1/2003 Kawanori D23/351

D565,712 S * 4/2008 Nagahori D23/351
D621,492 S * 8/2010 Tanaka D23/351
D627,043 S * 11/2010 Tanaka D23/351

(Continued)

FOREIGN PATENT DOCUMENTS

IN 335644-001 * 5/2021
IN 335645-001 * 9/2021

Primary Examiner — Amy C Wierenga

Assistant Examiner — Andrea Marie McKay

(74) *Attorney, Agent, or Firm* — Sughrue Mion, PLLC

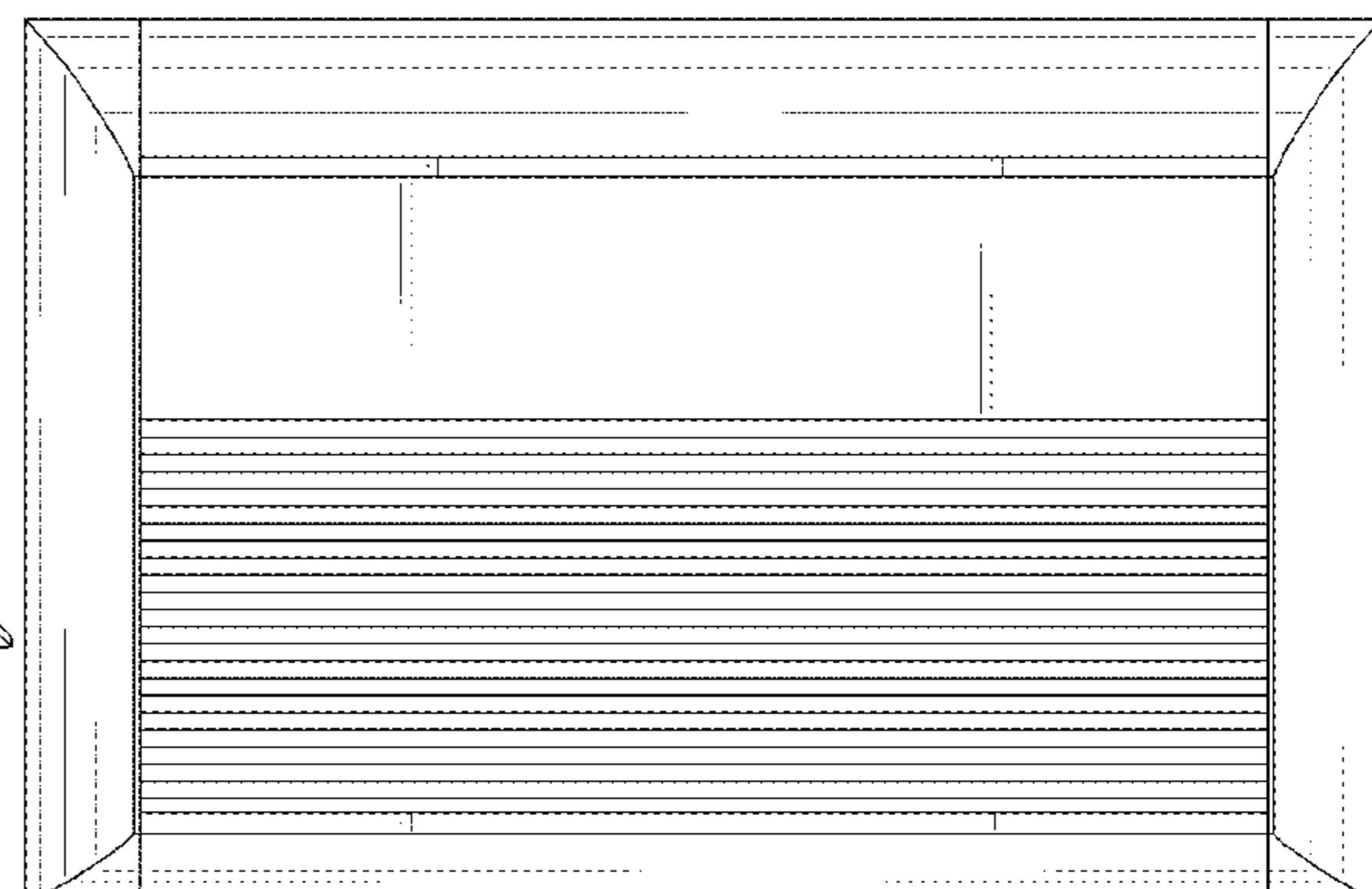
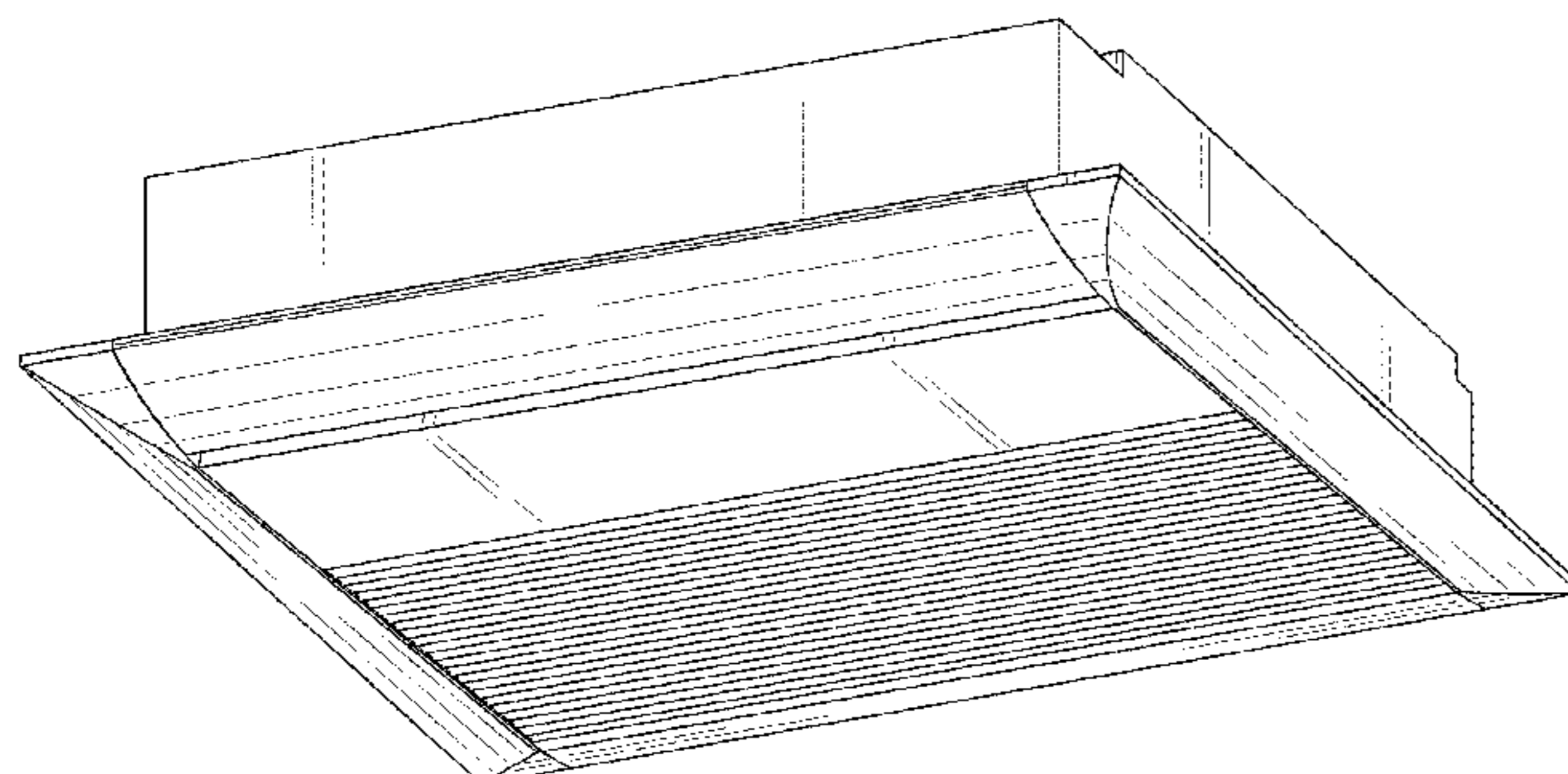
(57) **CLAIM**

The ornamental design for an air conditioner, as shown and described.

DESCRIPTION

FIG. 1 is a perspective view of an air conditioner according to a first embodiment showing my new design;
FIG. 2 is a front view thereof;
FIG. 3 is a rear view thereof;
FIG. 4 is a right side view thereof, the left side view being a mirror image thereof;
FIG. 5 is a top view thereof;
FIG. 6 is a bottom view thereof;
FIG. 7 is a perspective view showing the air conditioner of FIG. 1 shown in a position of use;
FIG. 8 is a perspective view of an air conditioner according to a second embodiment showing my new design;
FIG. 9 is a front view thereof;
FIG. 10 is a rear view thereof;
FIG. 11 is a right side view thereof, the left side view being a mirror image thereof;
FIG. 12 is a top view thereof;
FIG. 13 is a bottom view thereof; and,
FIG. 14 is a perspective view showing the air conditioner of FIG. 8 shown in a position of use.

1 Claim, 12 Drawing Sheets



(56)

References Cited

U.S. PATENT DOCUMENTS

D680,635 S * 4/2013 Kashimoto D23/351
D759,223 S * 6/2016 Kosuge D23/351
D770,787 S * 11/2016 Kim D6/351
D773,023 S * 11/2016 Nishiguchi D23/351
D773,024 S * 11/2016 Nishiguchi D23/351
D773,025 S * 11/2016 Nishiguchi D23/351
D773,625 S * 12/2016 Nishiguchi D23/351
D793,542 S * 8/2017 Zhou D23/354
D796,018 S * 8/2017 Kusuki D23/351
D849,217 S * 5/2019 Yamashita D23/351
D879,928 S * 3/2020 Fujioka D23/351
11,566,794 B2 * 1/2023 Lee F24F 1/0011

* cited by examiner

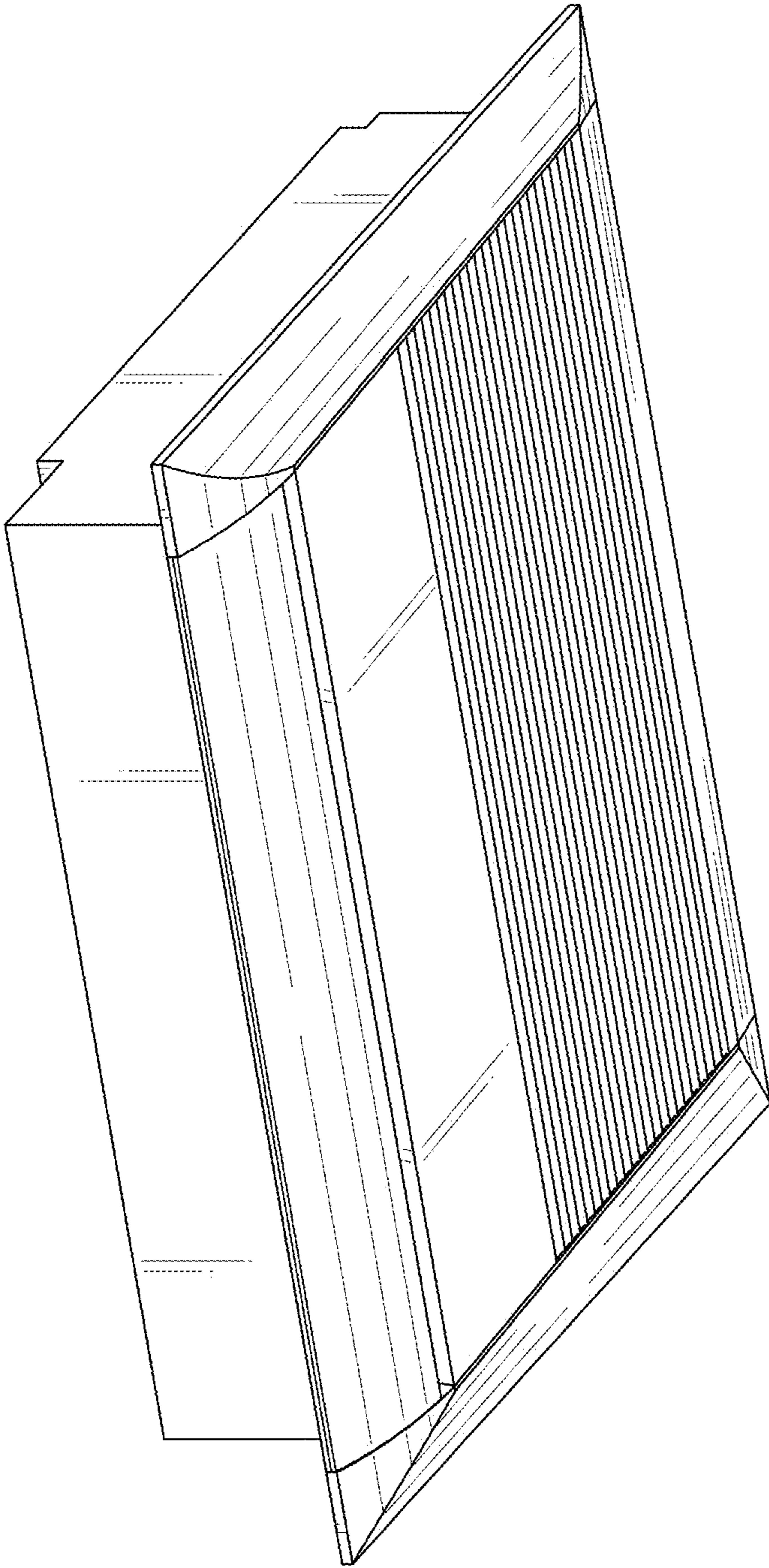


FIG. 1

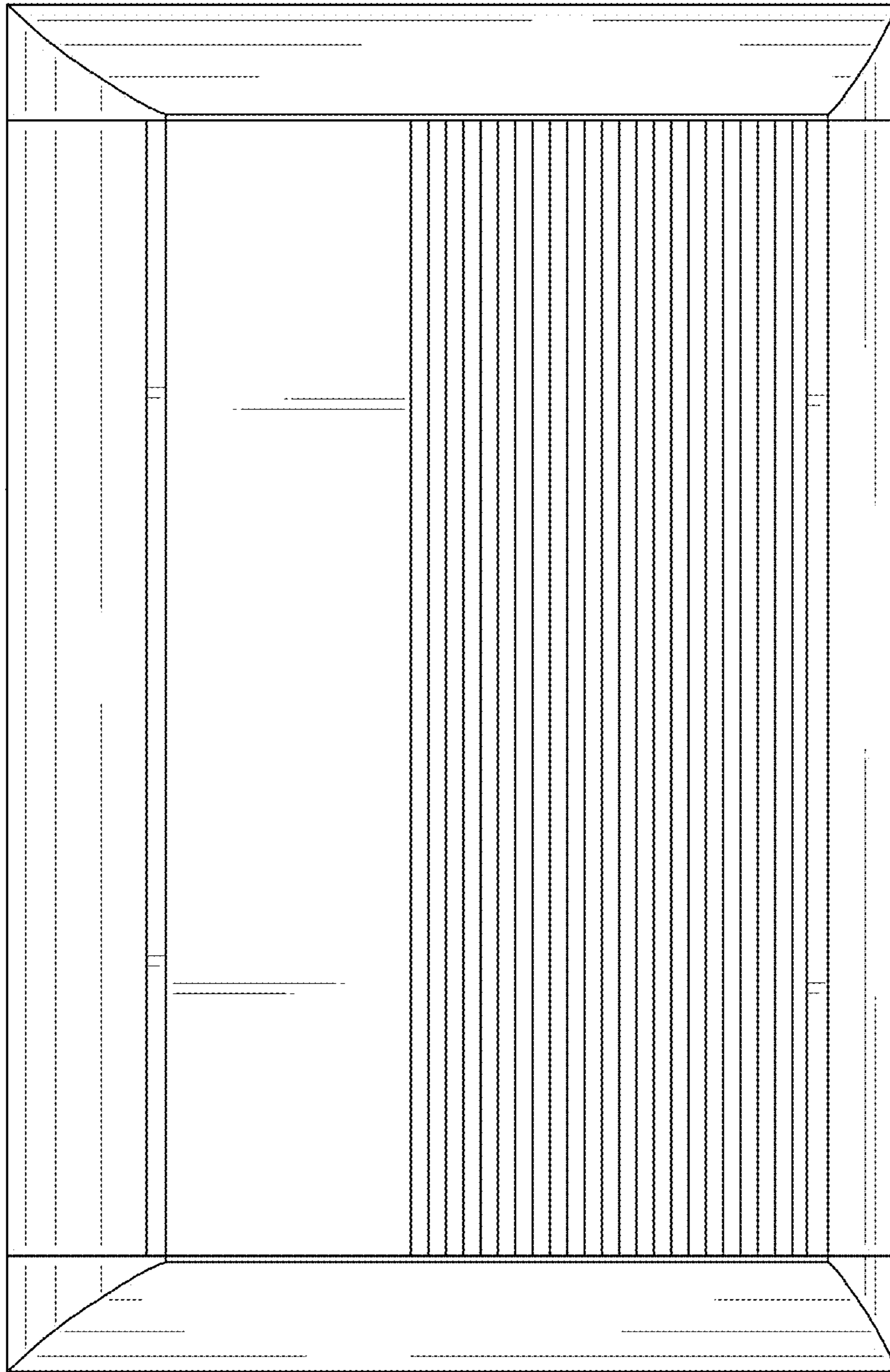


FIG. 2

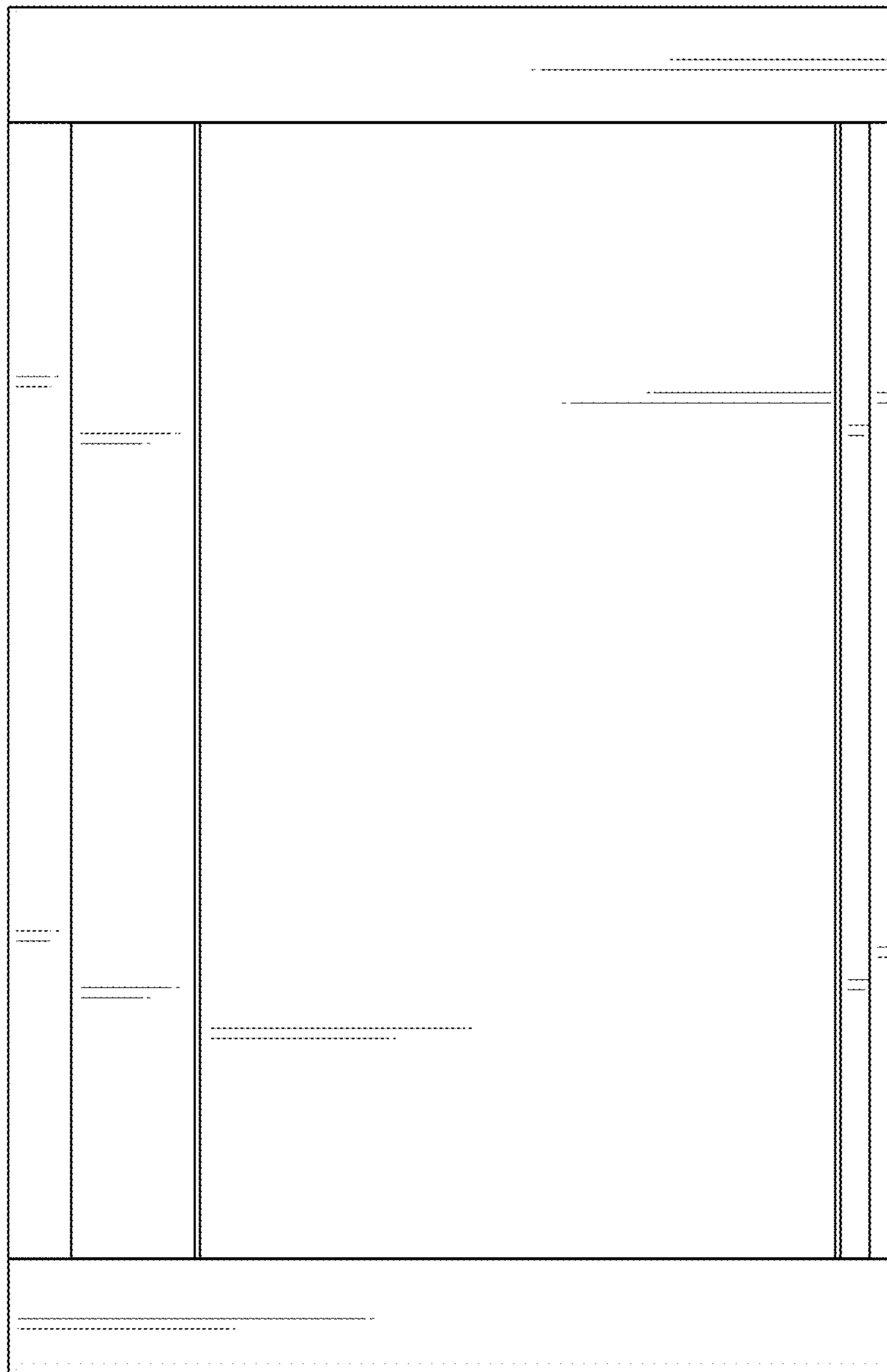


FIG. 3

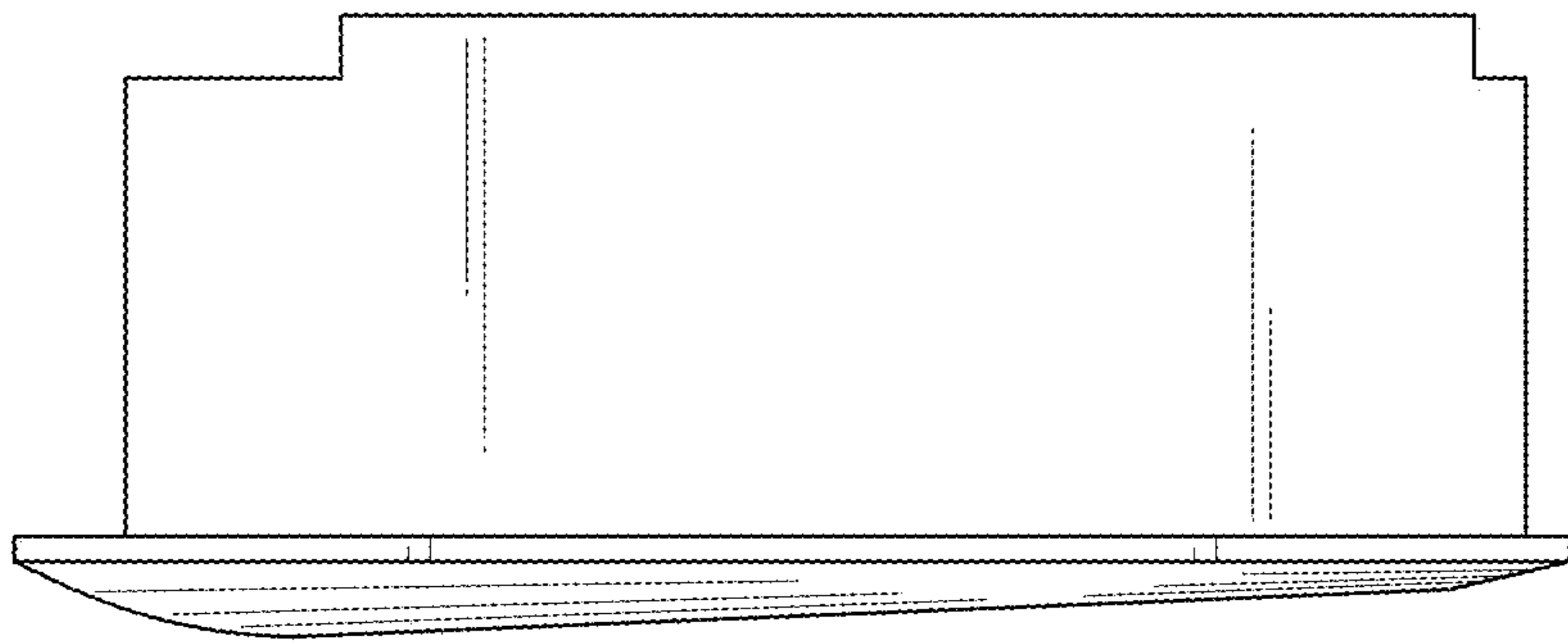


FIG. 4

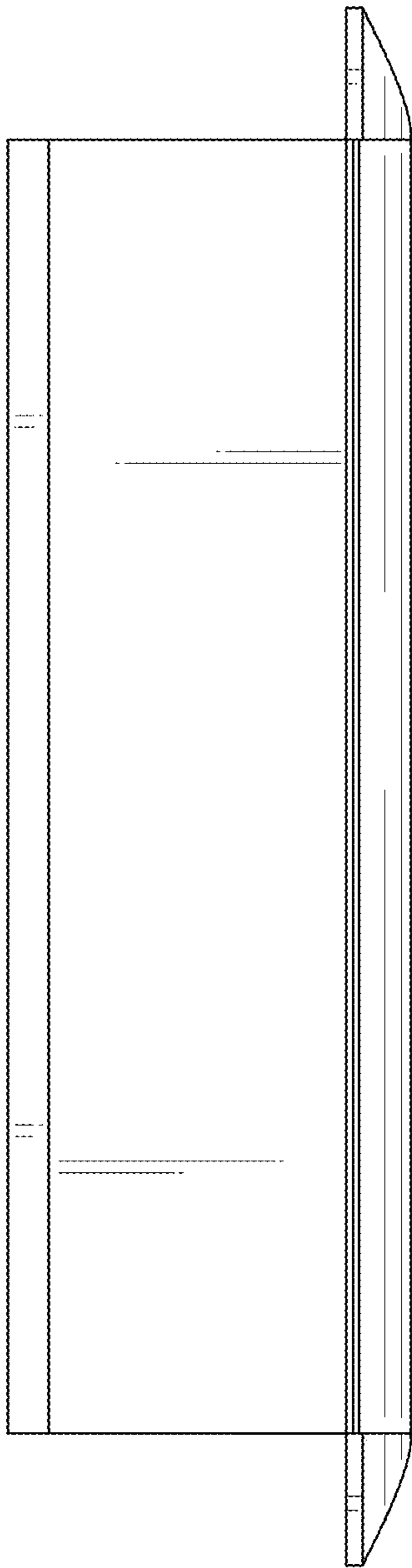


FIG. 5

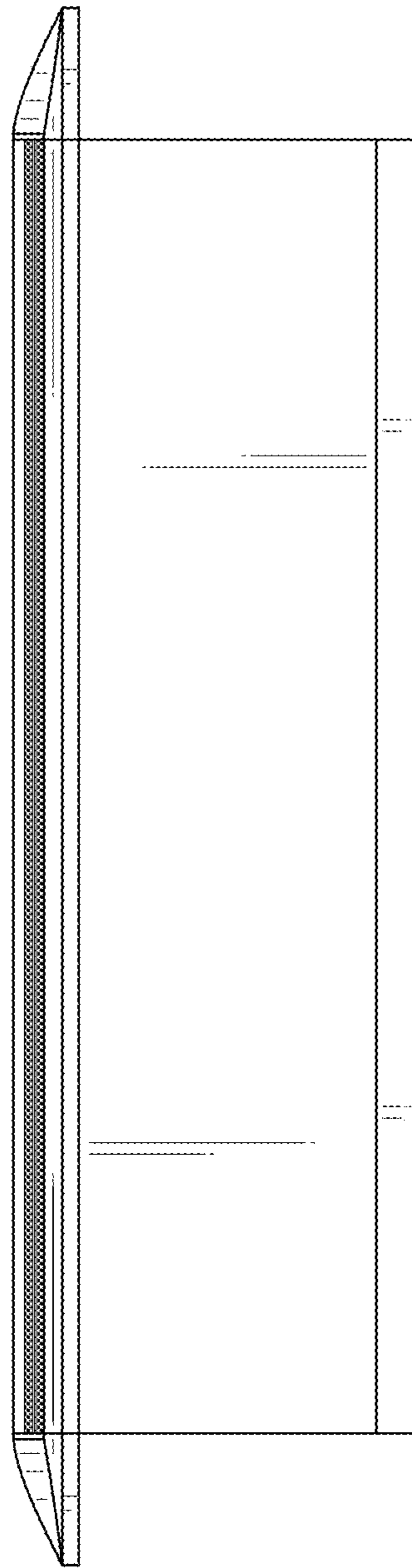


FIG. 6

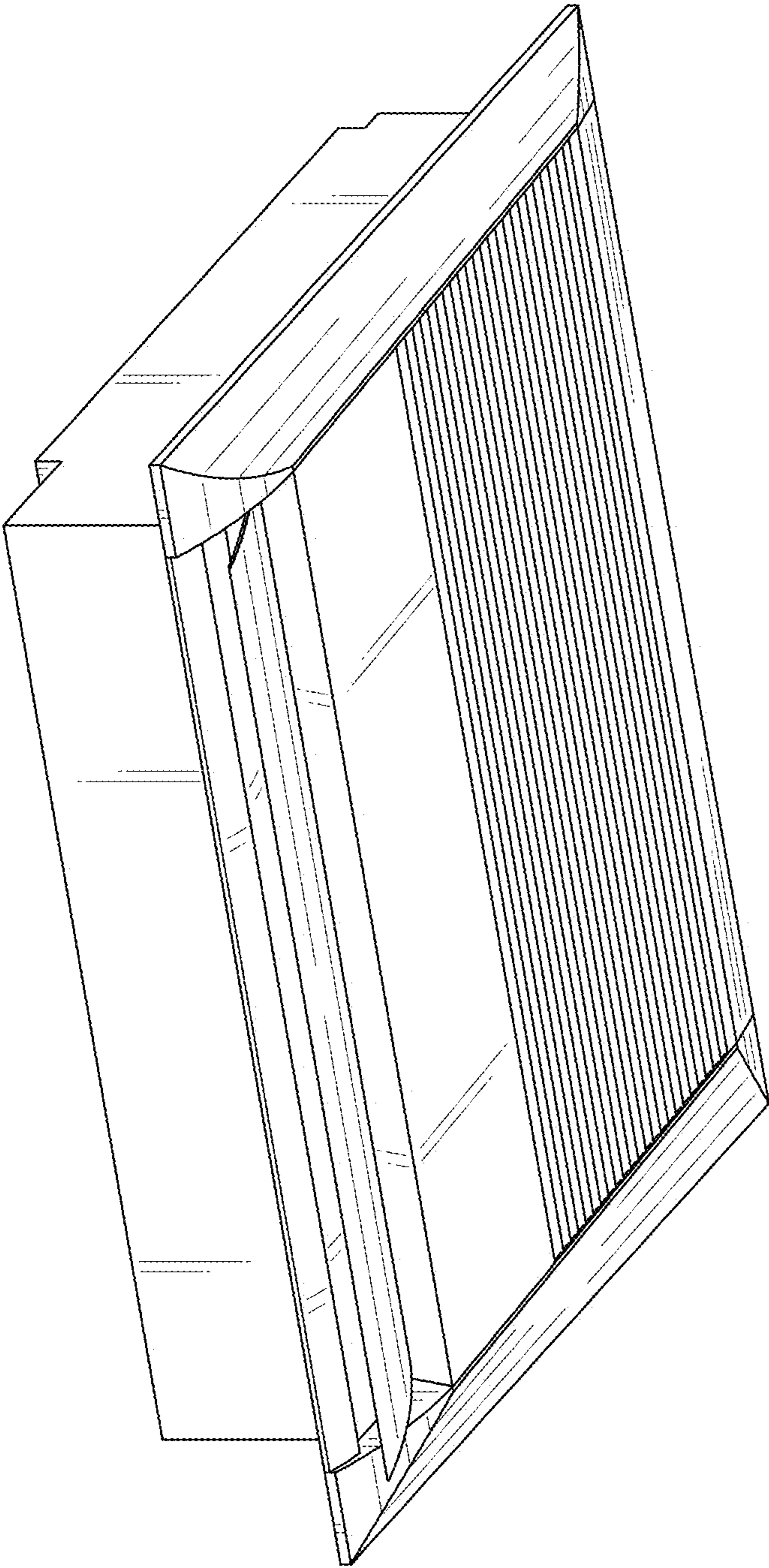


FIG. 7

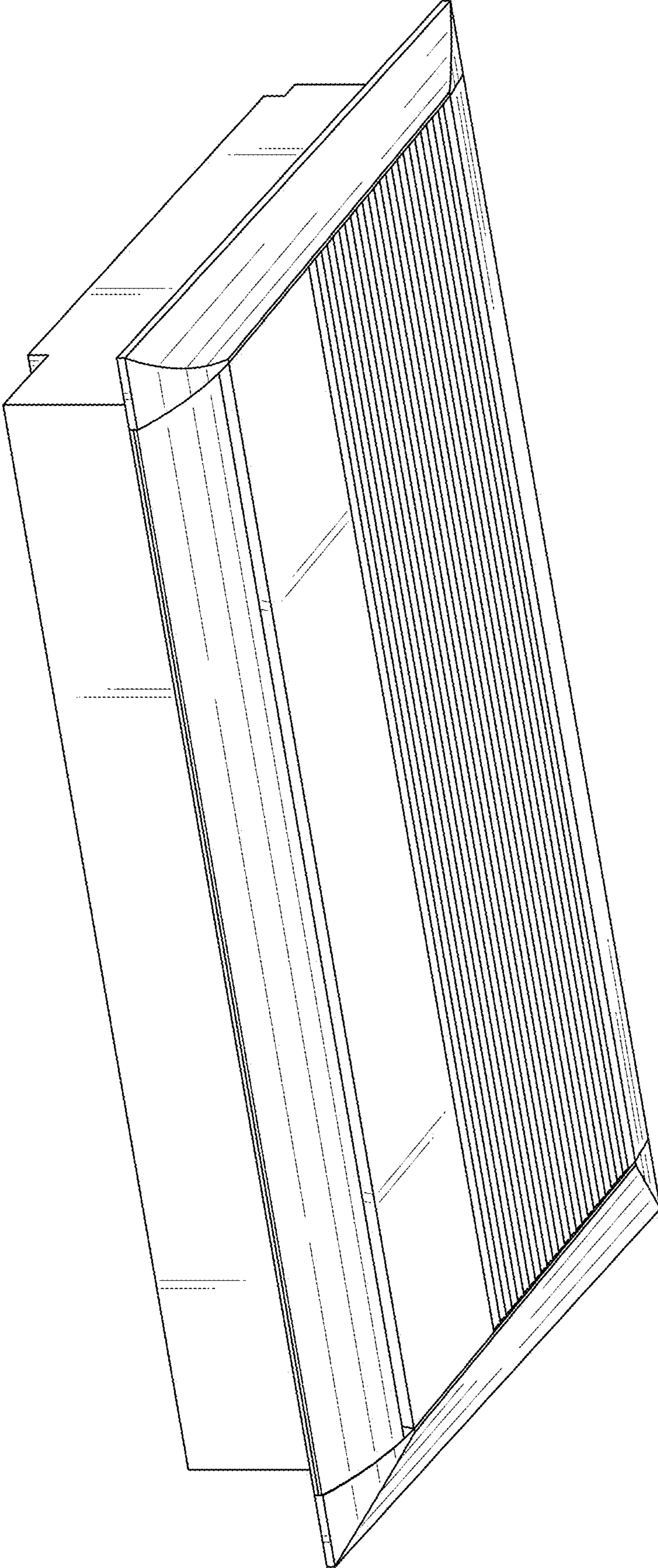


FIG. 8

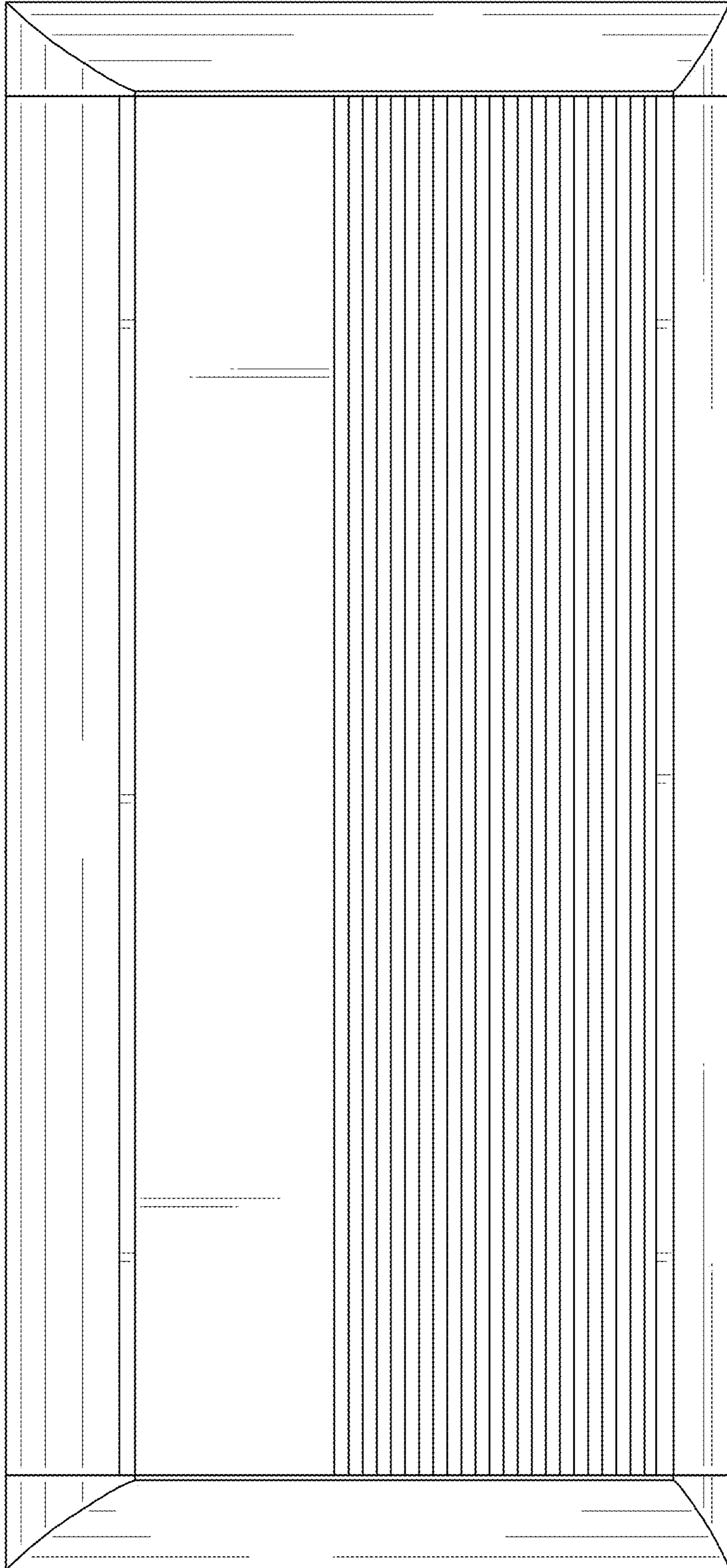


FIG. 9

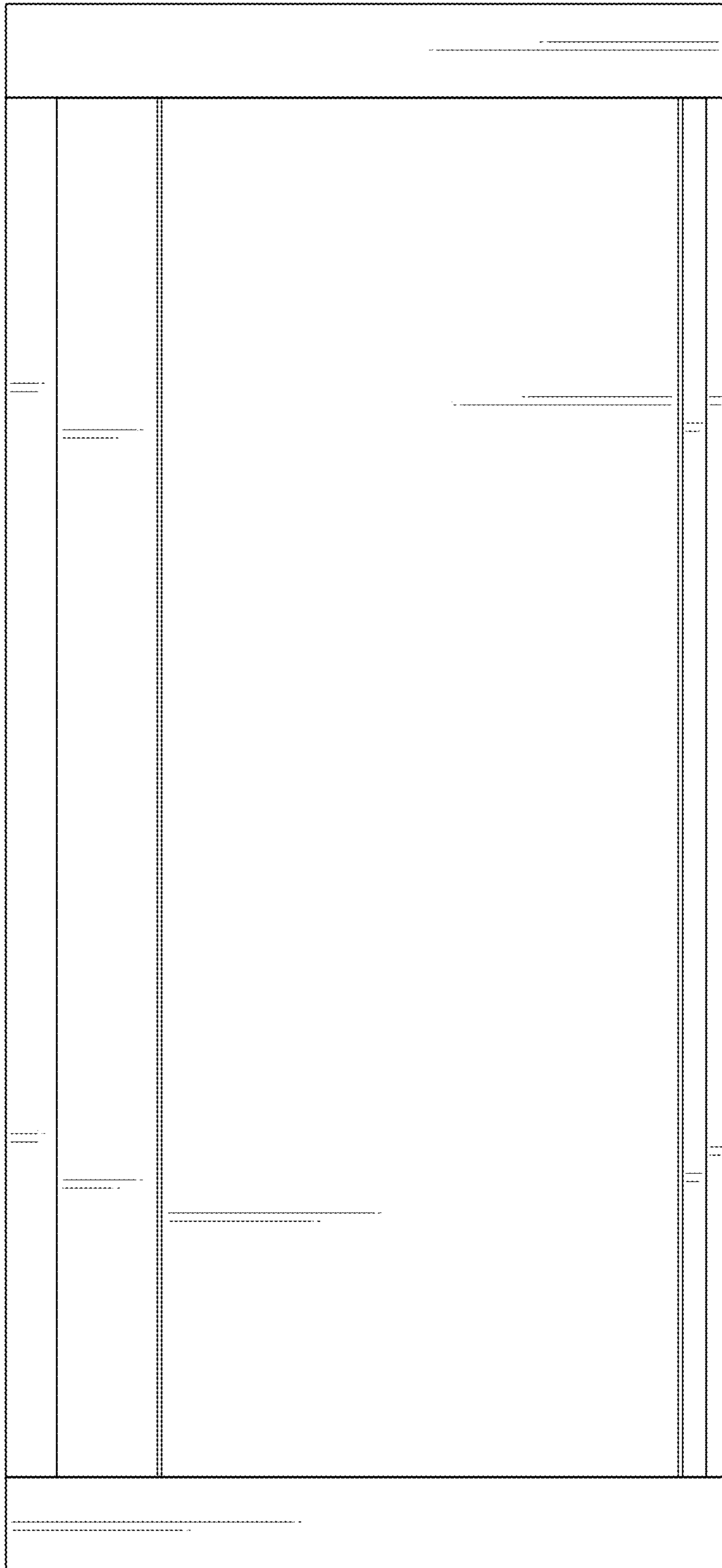


FIG. 10

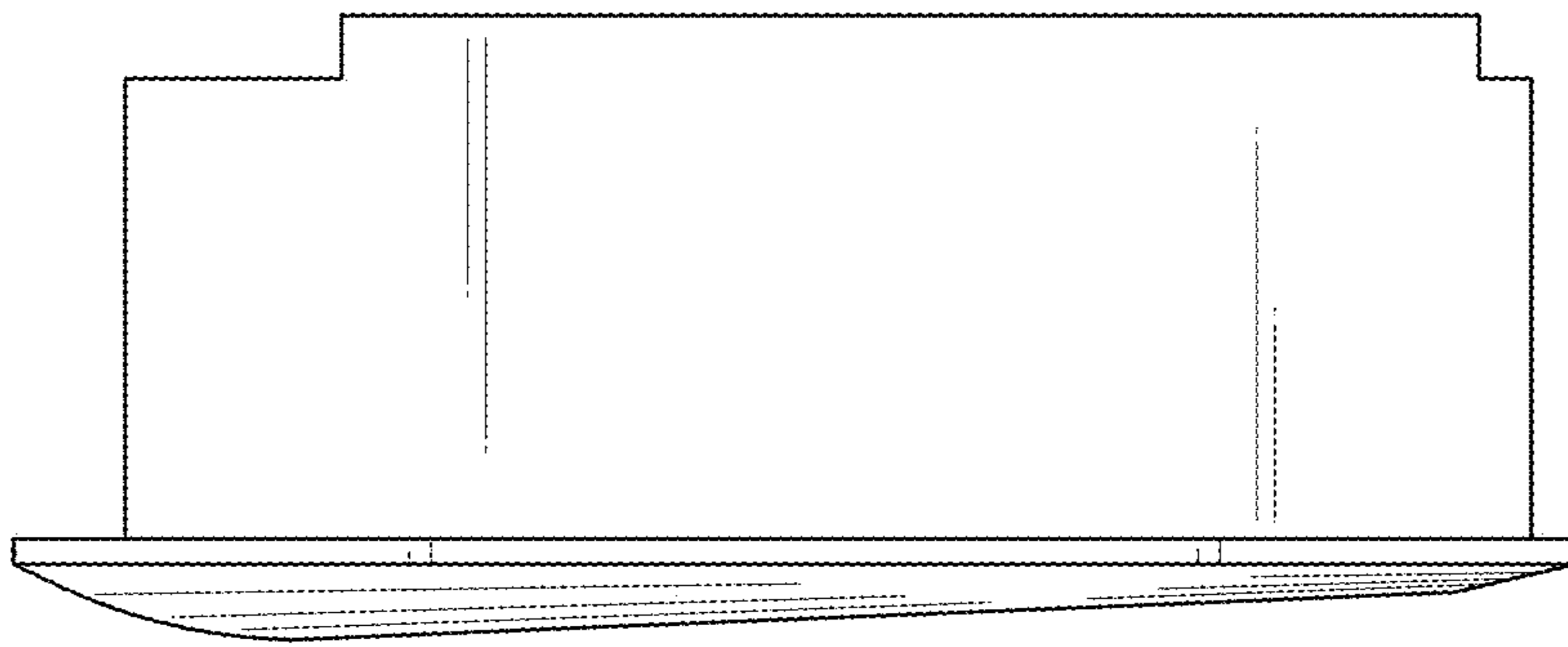


FIG. 11

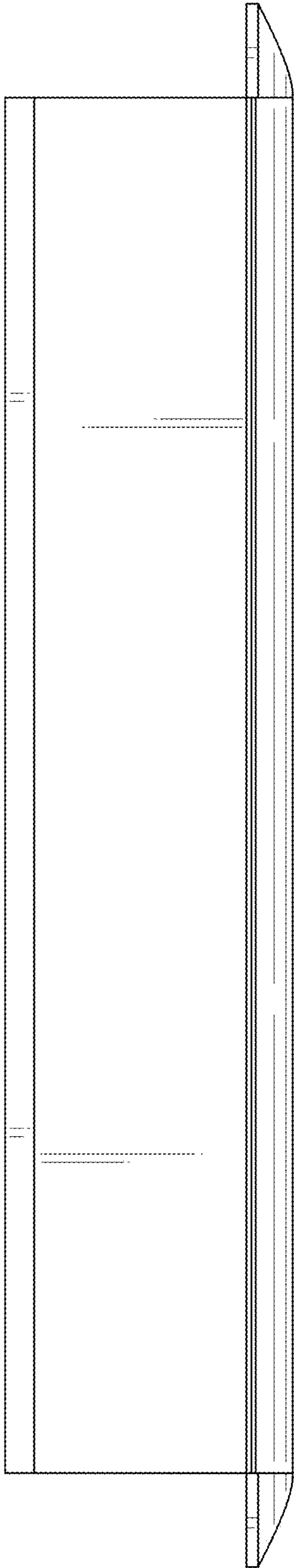


FIG. 12

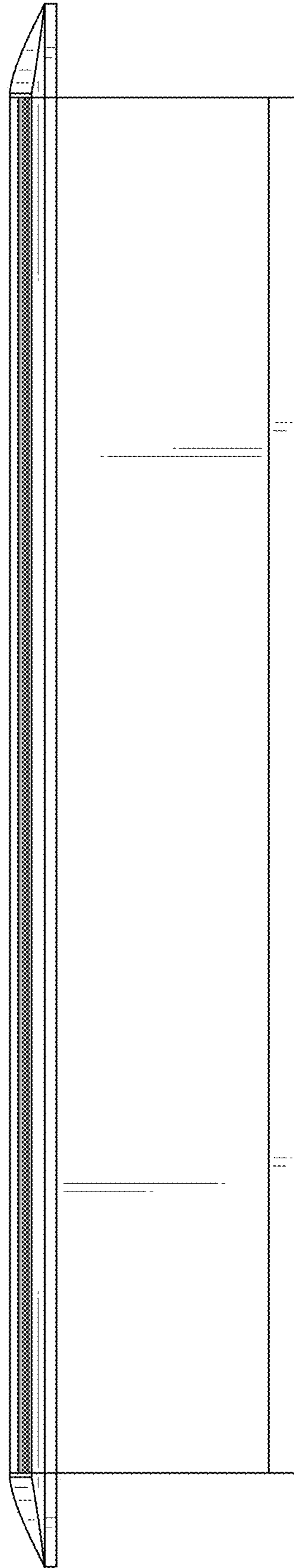


FIG. 13

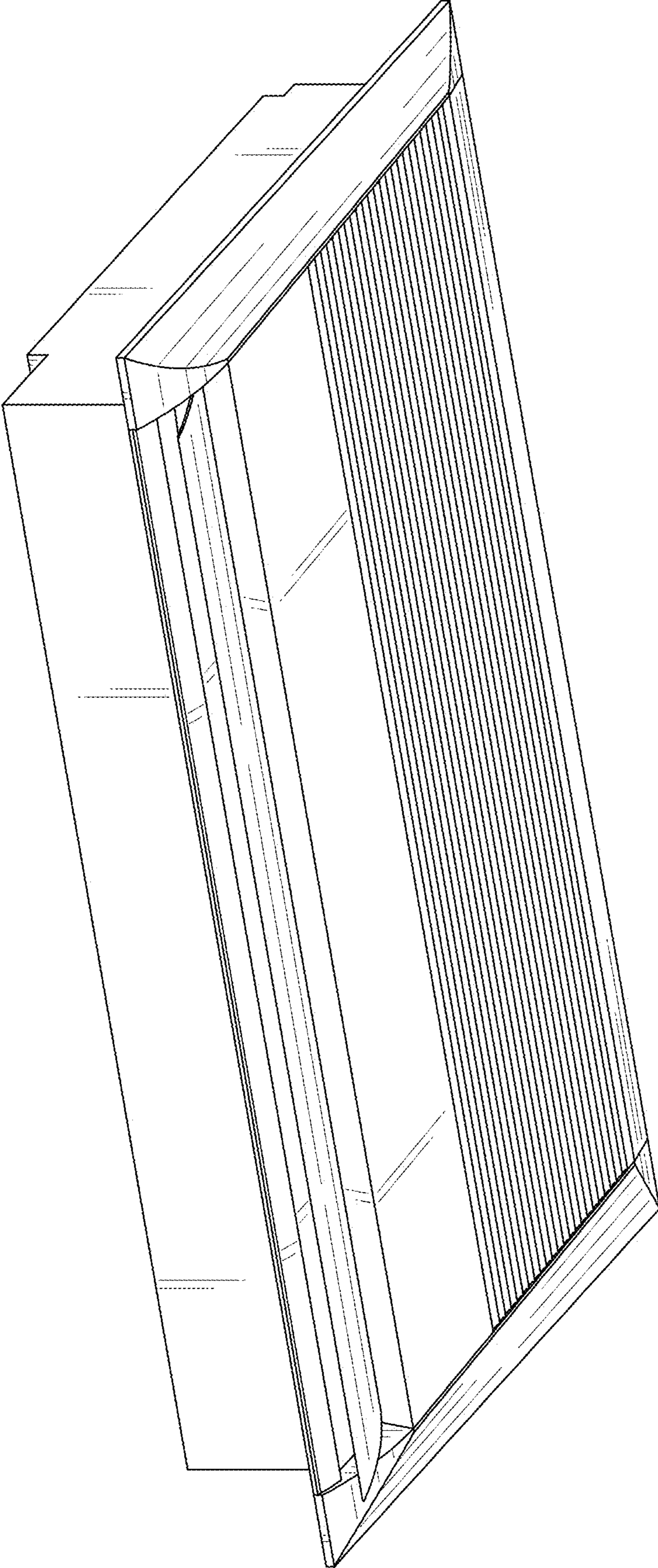


FIG. 14