



US00D989255S

(12) **United States Design Patent**
Hernandez Fernandez

(10) **Patent No.:** **US D989,255 S**
(45) **Date of Patent:** **** Jun. 13, 2023**

(54) **FLUID DISTRIBUTION EQUIPMENT**

(71) Applicant: **Submer Technologies, S.L.**,
L'Hospitalet de Llobregat (ES)

(72) Inventor: **Daniel Hernandez Fernandez**,
Barcelona (ES)

(73) Assignee: **Submer Technologies, S.L.**,
L'Hospitalet de Llobregat (ES)

(**) Term: **15 Years**

(21) Appl. No.: **29/781,211**

(22) Filed: **Apr. 28, 2021**

(30) **Foreign Application Priority Data**

Oct. 29, 2020 (EM) 008219430-0001

(51) **LOC (14) Cl.** **23-03**

(52) **U.S. Cl.**
USPC **D23/314**

(58) **Field of Classification Search**
USPC D23/200, 202, 314, 316, 317, 318, 329
CPC H05K 7/20218; H05K 7/20236; H05K
7/2029; H05K 7/203
See application file for complete search history.

(56) **References Cited**

U.S. PATENT DOCUMENTS

- 1,705,278 A * 3/1929 Anderson A61N 5/06
237/16
- D716,424 S * 10/2014 Merrill D23/314
- 10,165,707 B1 * 12/2018 Christiansen H05K 7/20872
- 10,944,202 B1 * 3/2021 Tung H05K 5/069
- 2019/0008077 A1 * 1/2019 Ishinabe H05K 7/20272

- 2020/0093025 A1 * 3/2020 Enright B25J 11/00
- 2020/0315060 A1 * 10/2020 Chen H05K 7/20236
- 2022/0183181 A1 * 6/2022 Montes Monteserin
H05K 7/20263
- 2022/0248558 A1 * 8/2022 Lin H05K 7/20236

* cited by examiner

Primary Examiner — Ania Aman

(74) *Attorney, Agent, or Firm* — Squire Patton Boggs
(US)

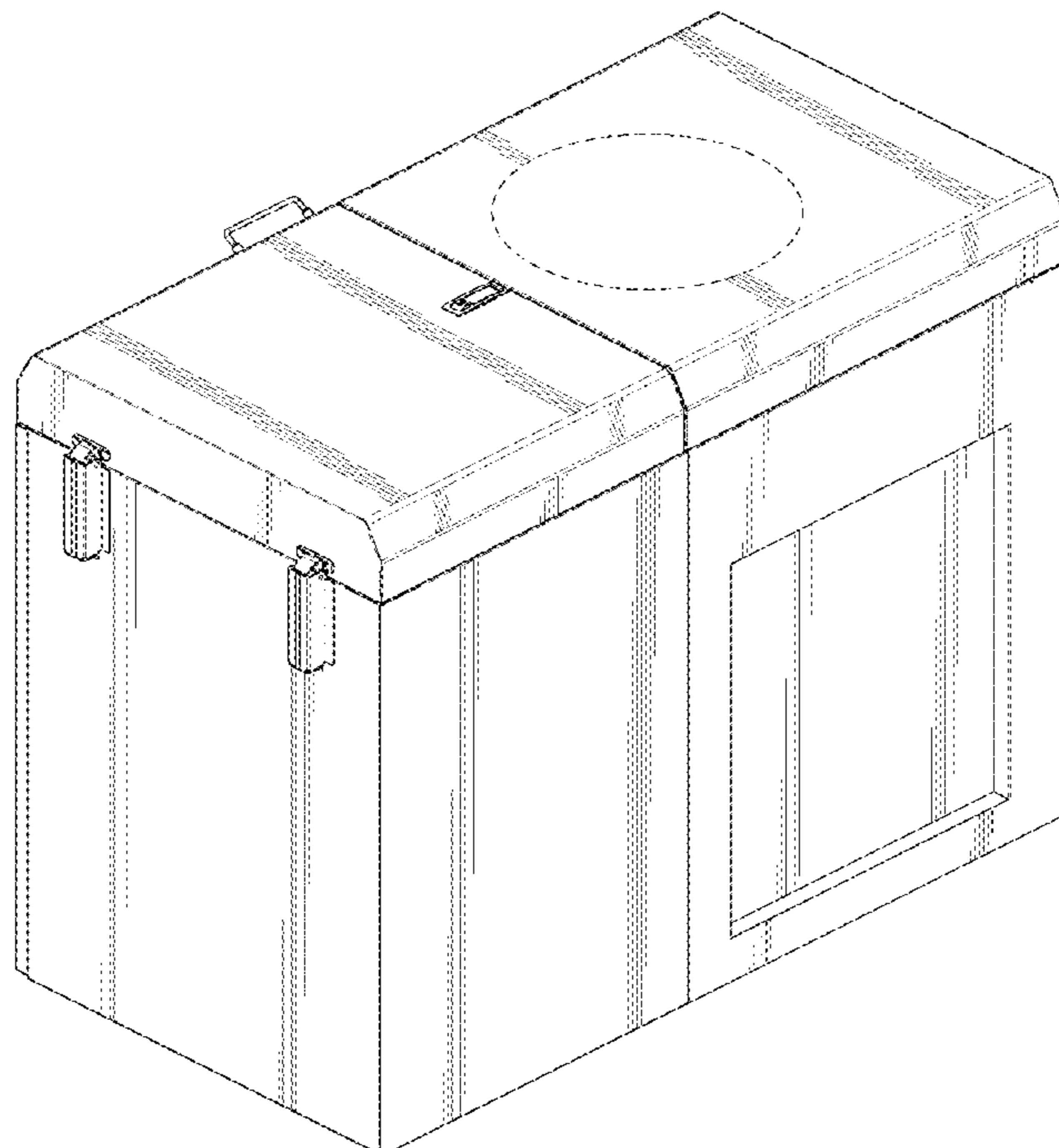
(57) **CLAIM**

The ornamental design for a fluid distribution equipment, as shown and described.

DESCRIPTION

FIG. 1 is a left side view of the fluid distribution equipment in accordance with the present design.
 FIG. 2 is a top plan view of the fluid distribution equipment.
 FIG. 3 is a front side view of the fluid distribution equipment.
 FIG. 4 is a right side view of the fluid distribution equipment.
 FIG. 5 is a back side view of the fluid distribution equipment.
 FIG. 6 is front perspective view of the fluid distribution equipment; and,
 FIG. 7 is a bottom view of the fluid distribution equipment.
 Throughout the Figures, where shown, the broken lines showing additional surface elements in FIGS. 2, 6 and 7 are for illustrative purposes only and form no part of the claimed design.

1 Claim, 7 Drawing Sheets



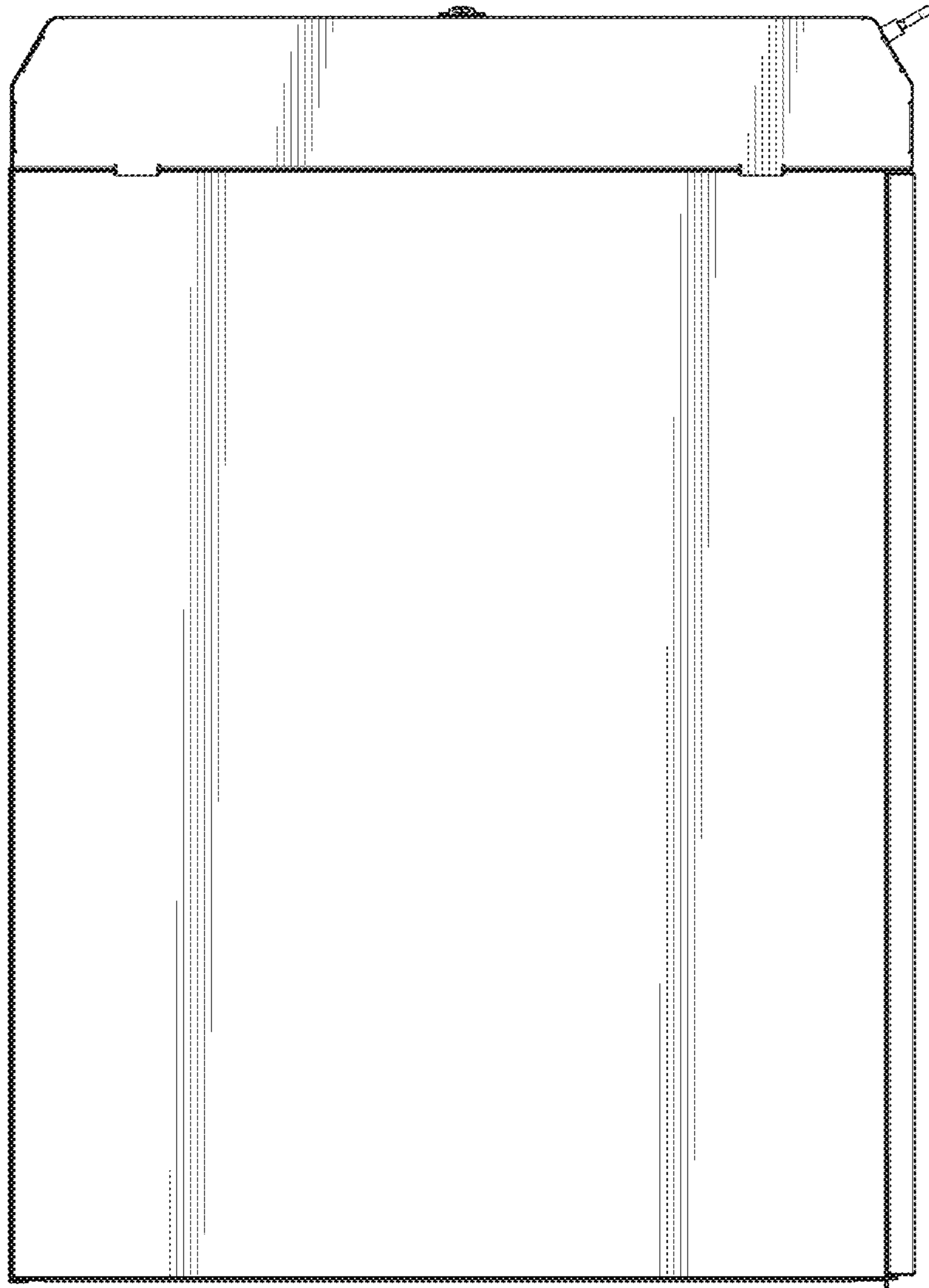


FIG. 1

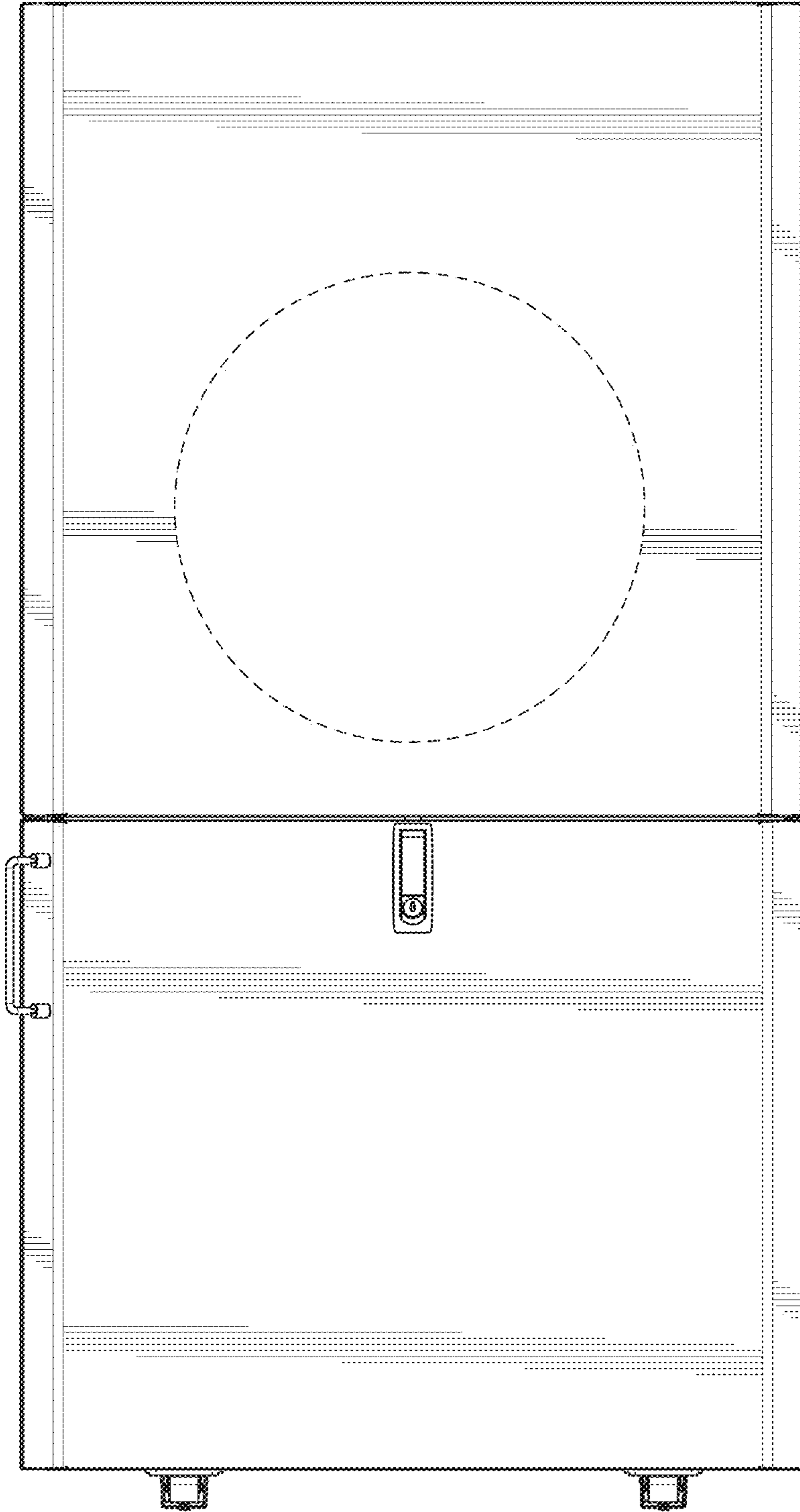


FIG. 2

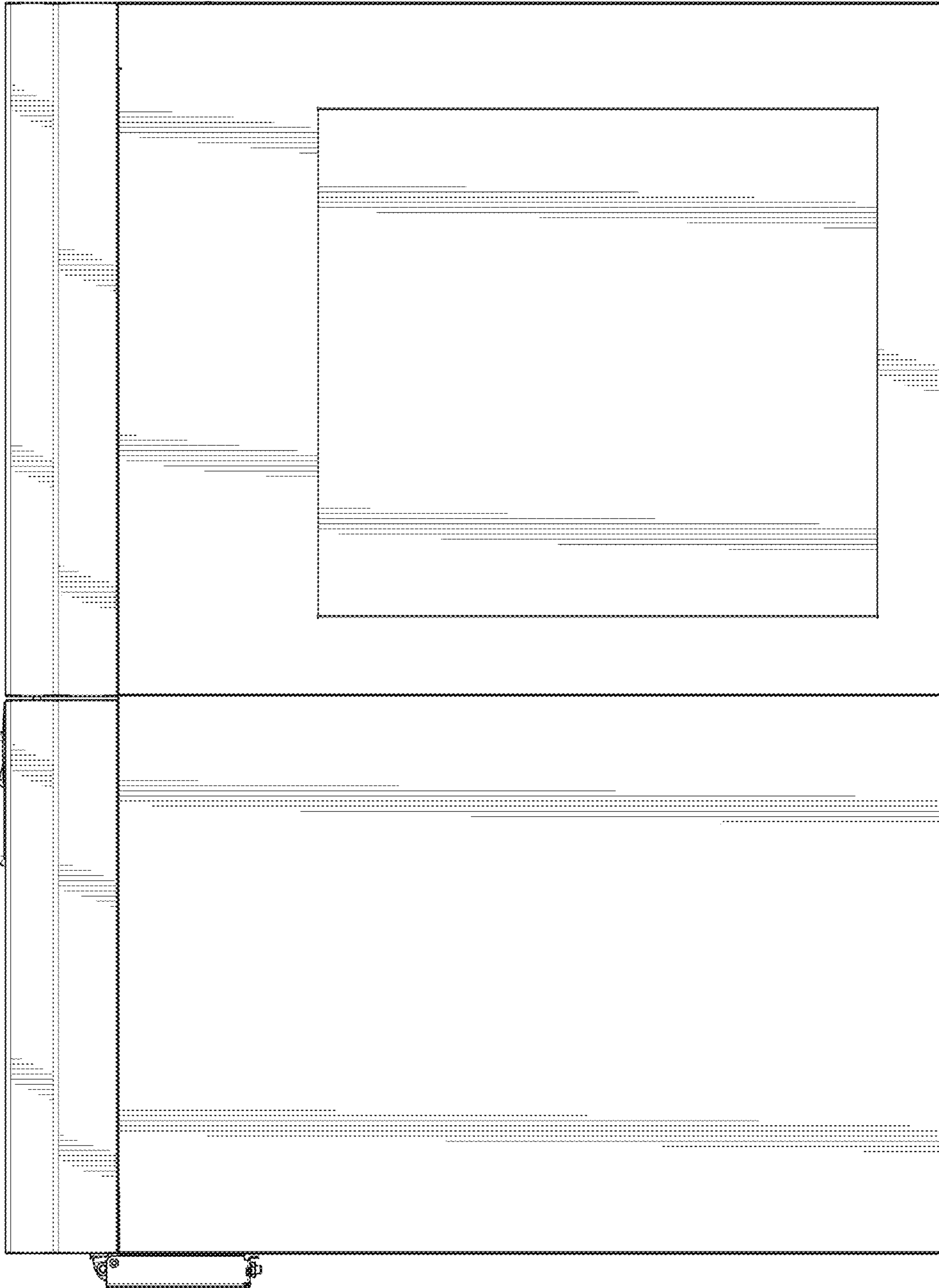


FIG. 3

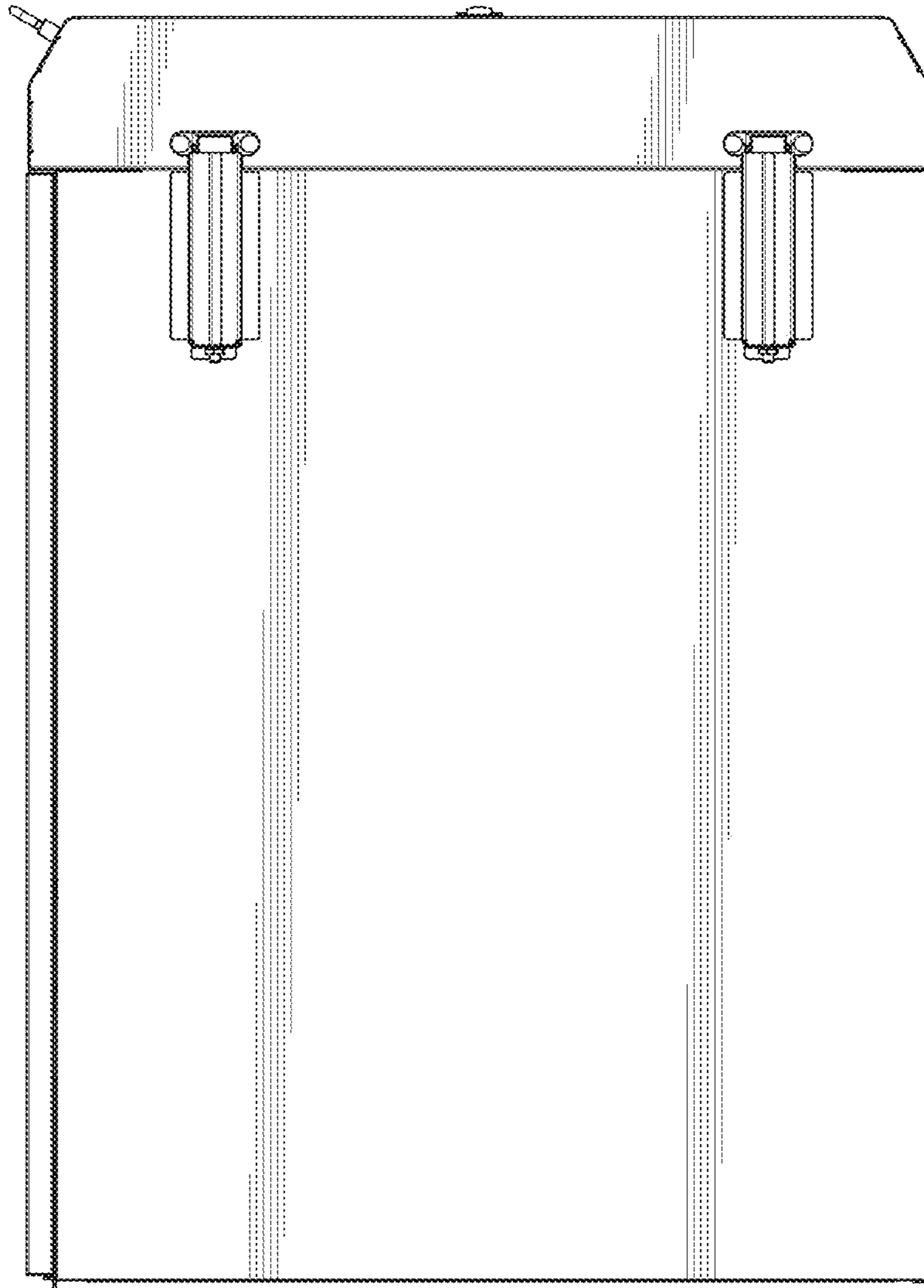


FIG. 4

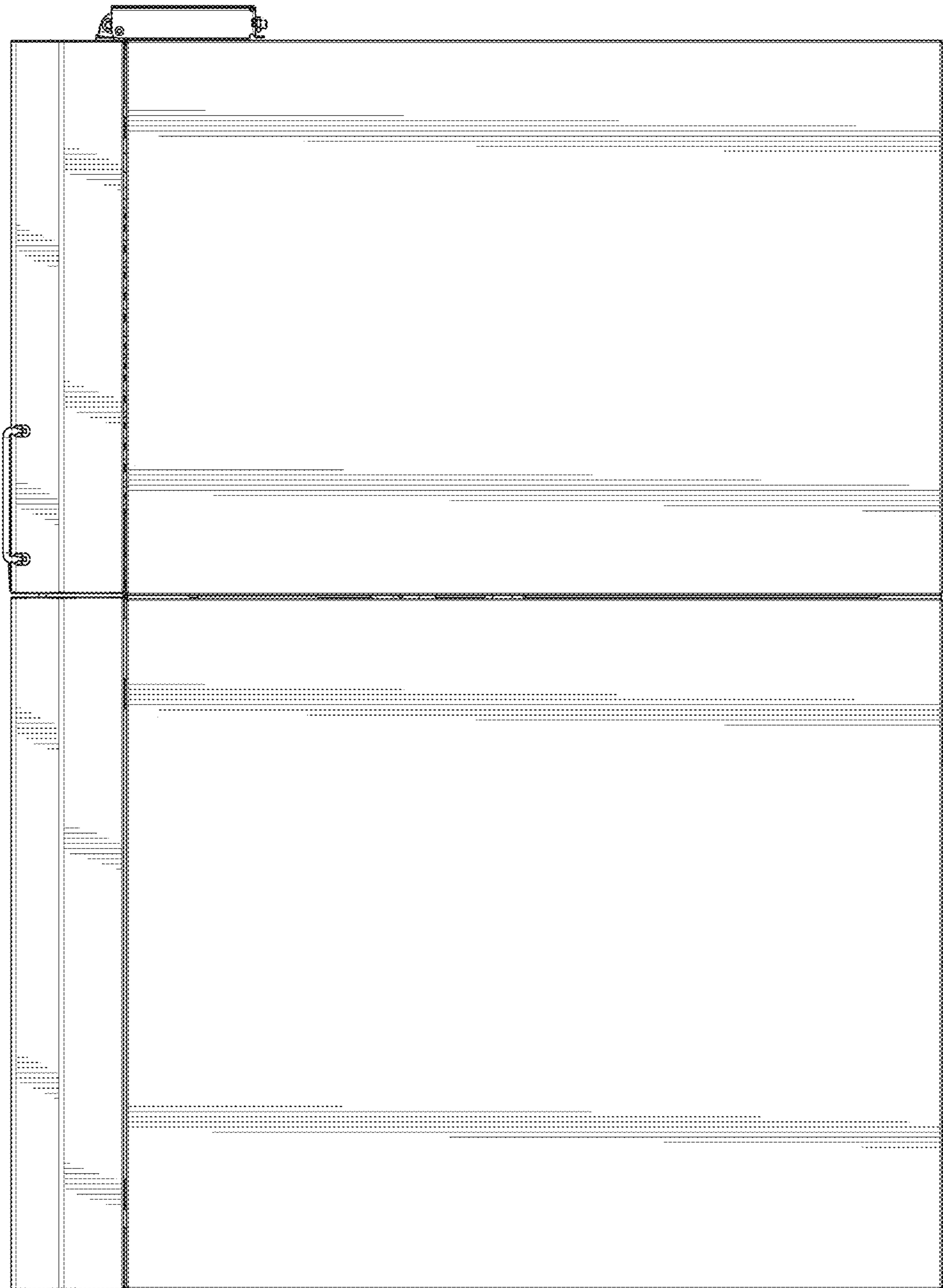


FIG. 5

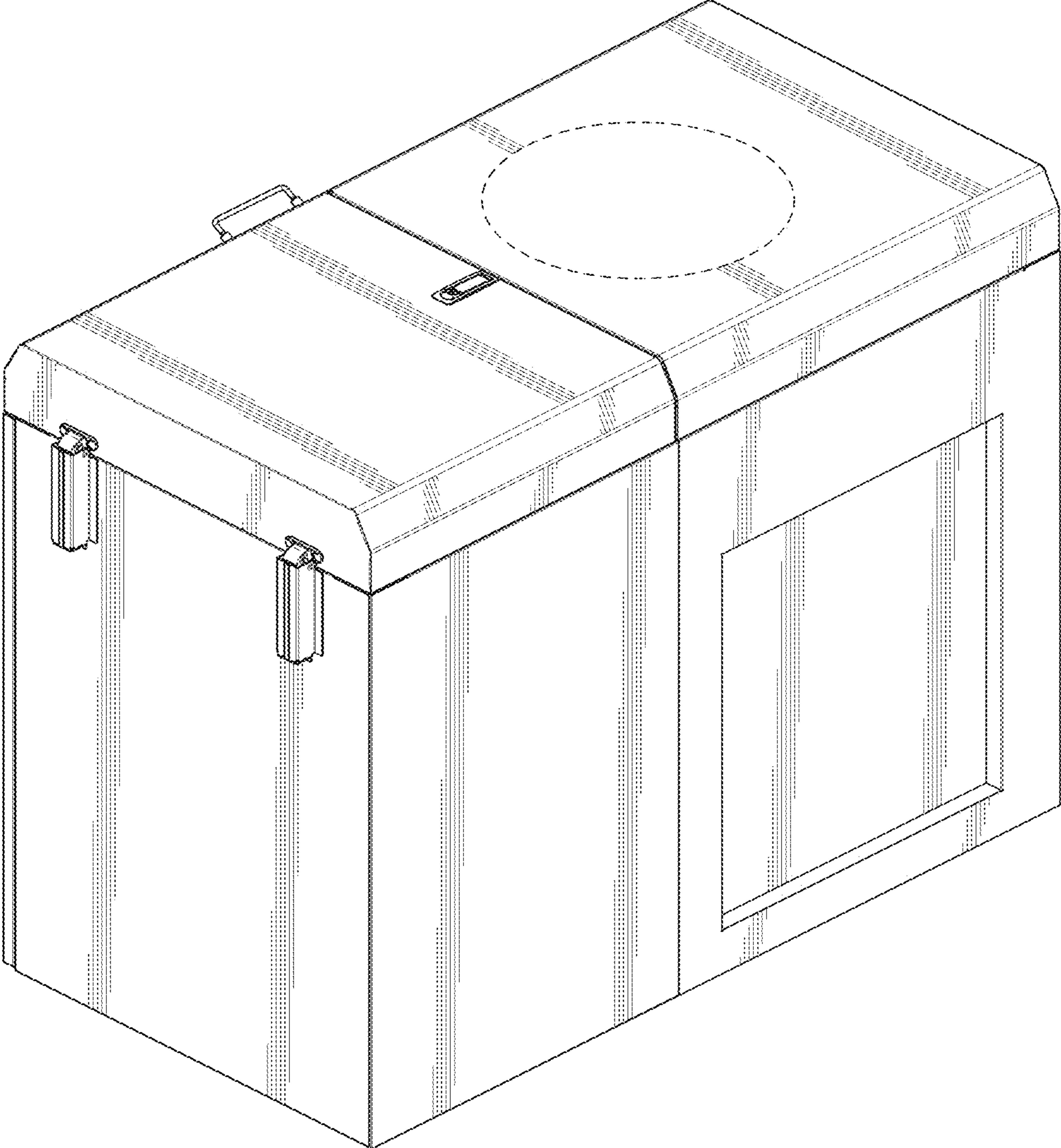


FIG. 6

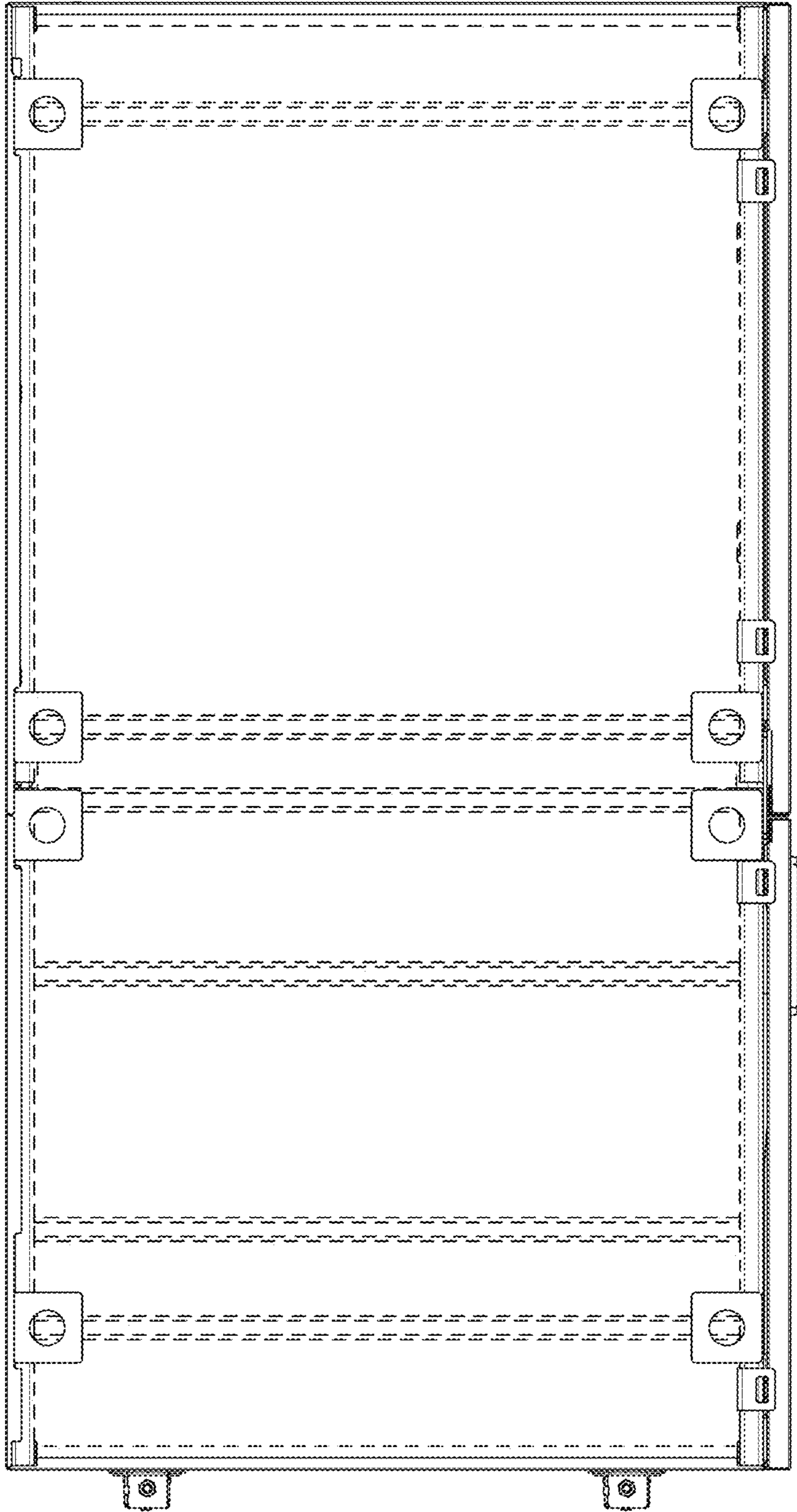


FIG. 7