



US00D989254S

(12) **United States Design Patent** (10) **Patent No.:** **US D989,254 S**
Childs (45) **Date of Patent:** **** Jun. 13, 2023**

(54) **TOILET SEAT COVER**

(71) Applicant: **Cheryl L. Childs**, Middletown, DE (US)

(72) Inventor: **Cheryl L. Childs**, Middletown, DE (US)

(**) Term: **15 Years**

(21) Appl. No.: **29/771,312**

(22) Filed: **Feb. 22, 2021**

(51) **LOC (14) Cl.** **23-01**

(52) **U.S. Cl.**
USPC **D23/311**

(58) **Field of Classification Search**
USPC D23/299, 311–312
See application file for complete search history.

(56) **References Cited**

U.S. PATENT DOCUMENTS

1,573,619	A *	2/1926	Paul	A47K 13/16
					4/245.9
1,761,391	A *	6/1930	Harris	A47K 13/16
					4/245.3
D233,890	S *	12/1974	Smith	D23/311
4,908,262	A *	3/1990	Nelson	A47K 13/14
					428/402.24
8,196,228	B1 *	6/2012	Gyurjyan	A47K 13/16
					4/245.1
D708,723	S *	7/2014	Risgallah	D23/311
D734,443	S *	7/2015	Gates	D23/311
D781,404	S *	3/2017	Galloway	D23/311
D831,179	S *	10/2018	Kelly	D23/311
D906,495	S *	12/2020	Huang	D23/311
2012/0042443	A1 *	2/2012	Aguila	A47K 13/06
					4/245.6

OTHER PUBLICATIONS

Extra Large Flushable Toilet Seat Covers: https://www.amazon.com/Extra-Flushable-Toilet-Covers-Flower/dp/B084GGT4FC/ref=asc_df_B084GGQR61/?tag=hyprod-20&linkCode=df0&hvadid=632904496686&hvpos=&hvnetw=g&hvrnd=16080310972074064829&hvpone=&hvptwo=&hvqmt=&hvdev=c&hvdvcmld=&hvlocint=&hvlocphy=9059726&hvtar (Year: 2020).*

* cited by examiner

Primary Examiner — Robert A Delehanty

(74) *Attorney, Agent, or Firm* — Sanchelima & Associates, P.A.; Jesus Sanchelima; Christian Sanchelima

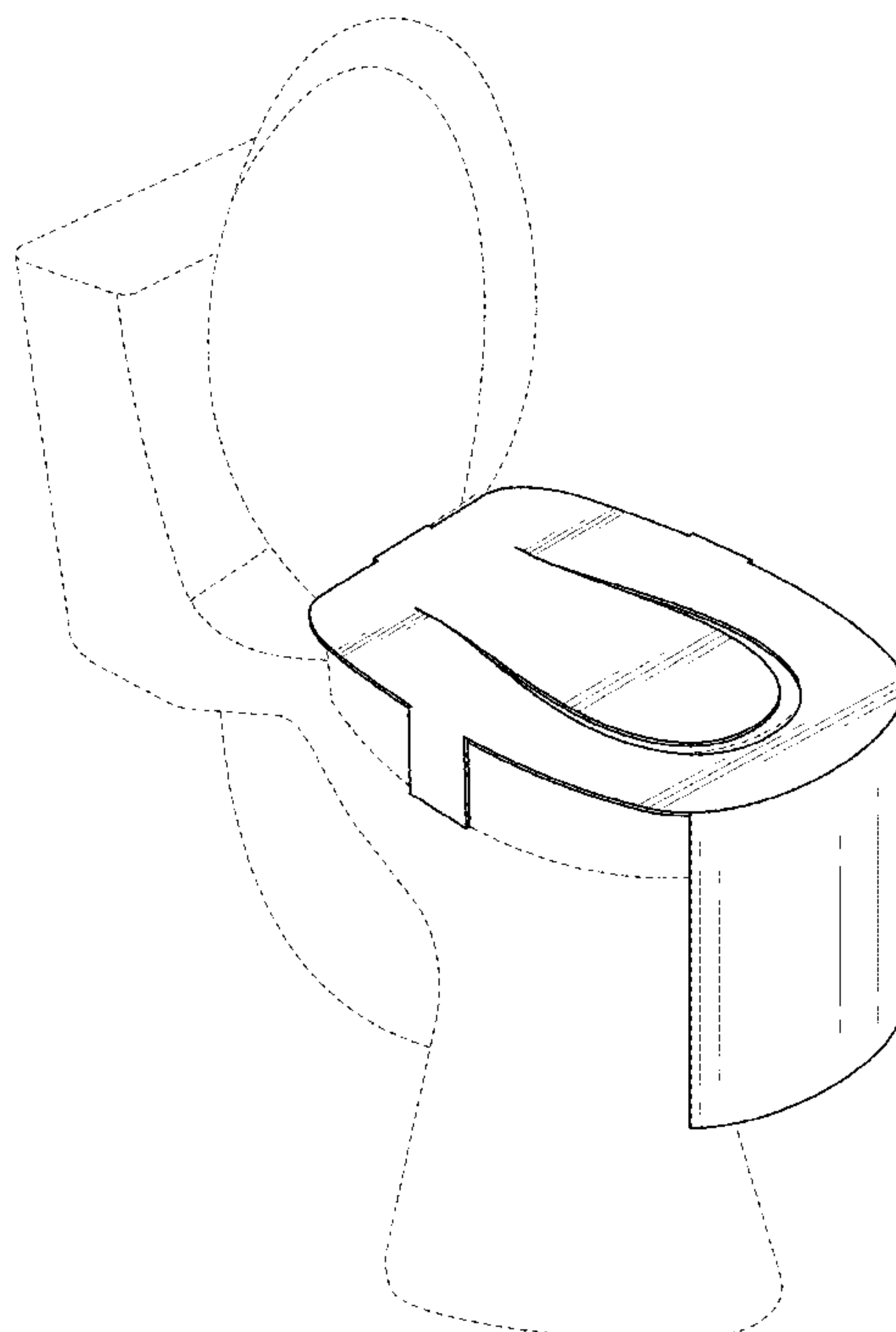
(57) **CLAIM**

The ornamental design for a toilet seat cover, as shown and described.

DESCRIPTION

FIG. 1 is an isometric operational view of a toilet seat cover showing my new design;
FIG. 2 is an isometric view thereof;
FIG. 3 is a front elevational view thereof;
FIG. 4 is a rear elevational view thereof;
FIG. 5 is a left side elevational view thereof;
FIG. 6 is a right elevational view thereof;
FIG. 7 is a top plan view thereof; and,
FIG. 8 is a bottom plan view thereof showing my design.
The broken lines in the drawings illustrate a toilet and forms no part of the claimed design.

1 Claim, 5 Drawing Sheets



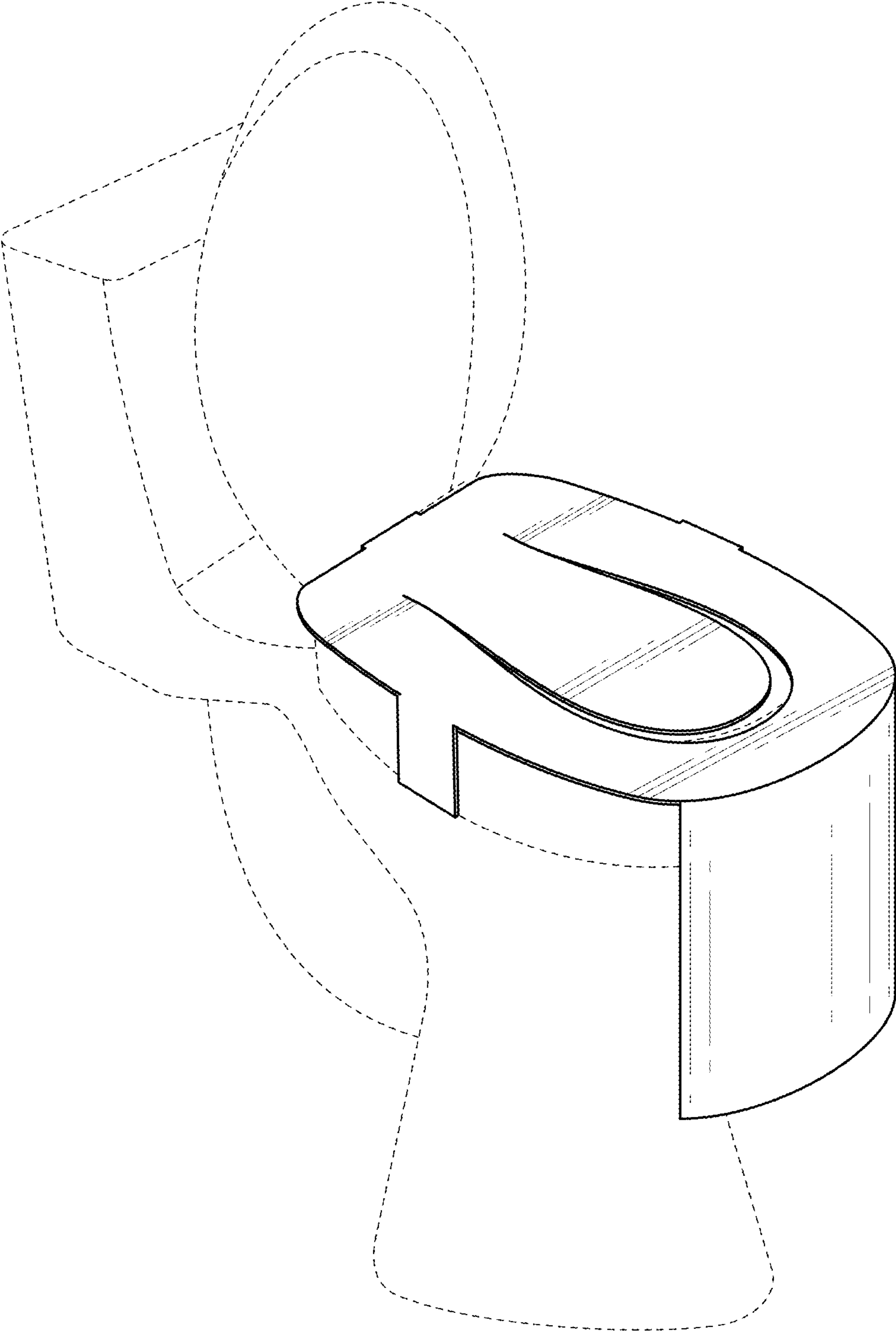


FIG. 1

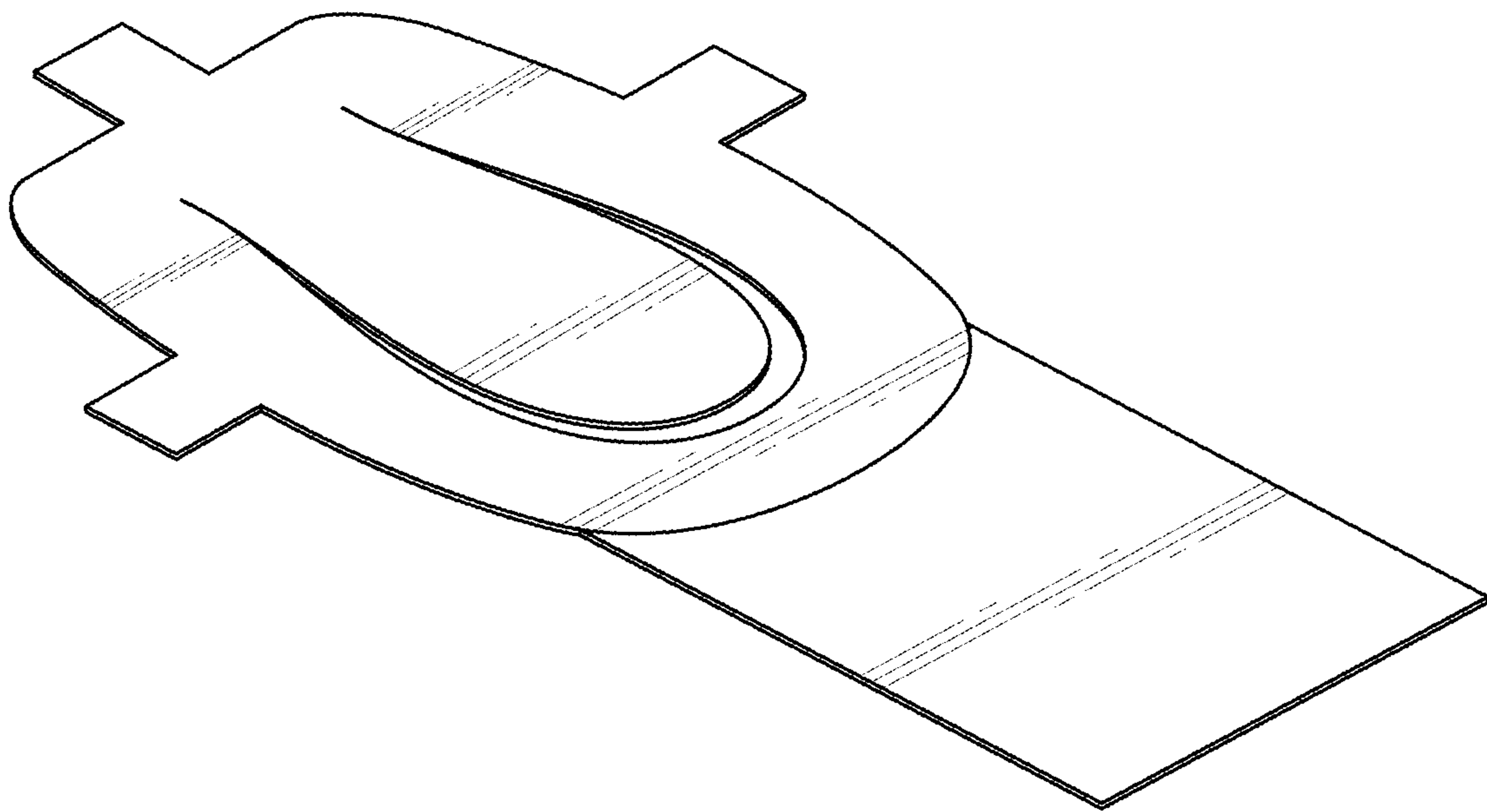


FIG. 2



FIG. 3



FIG. 4

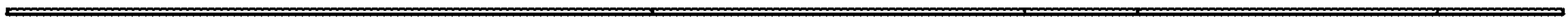


FIG. 5



FIG. 6

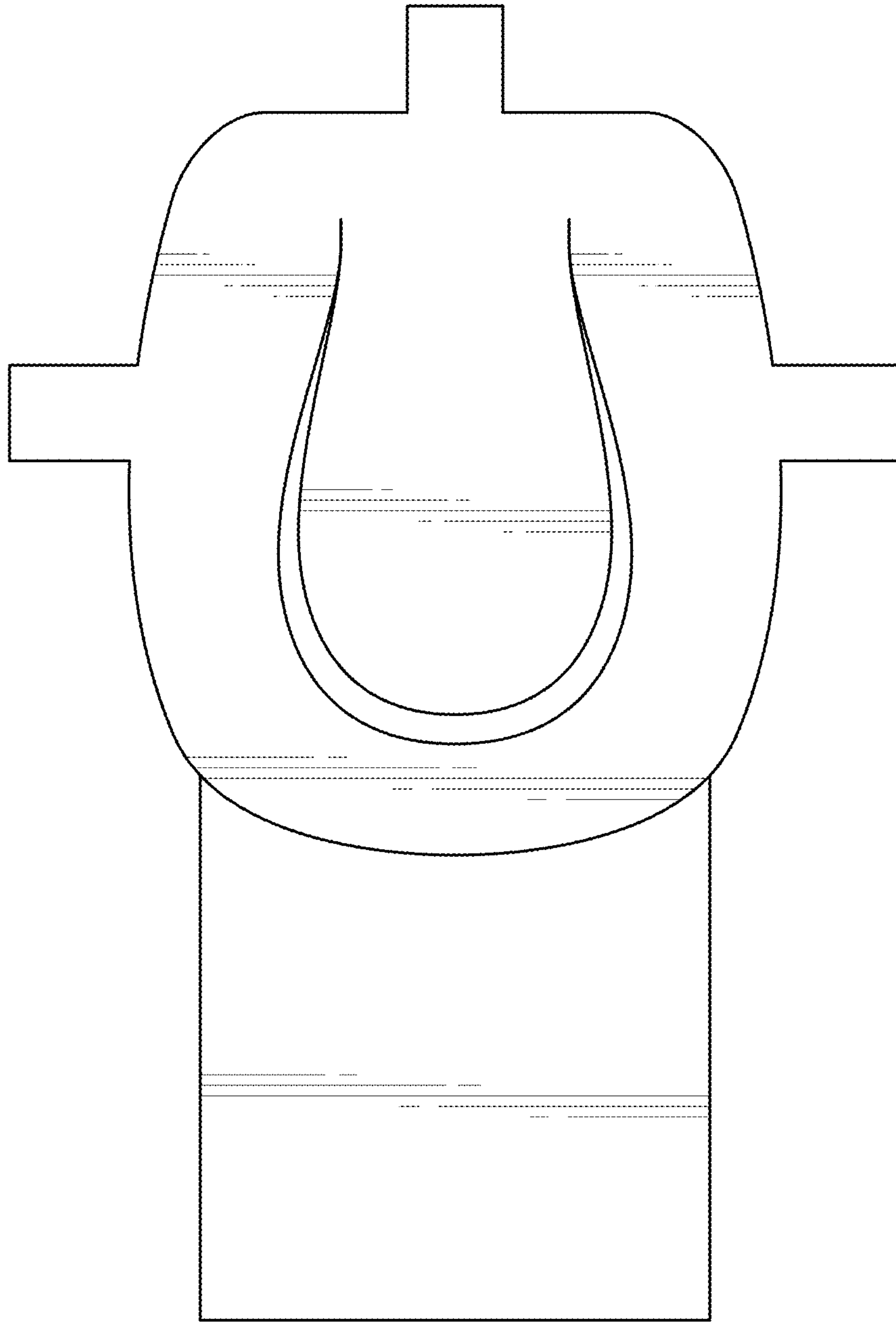


FIG. 7

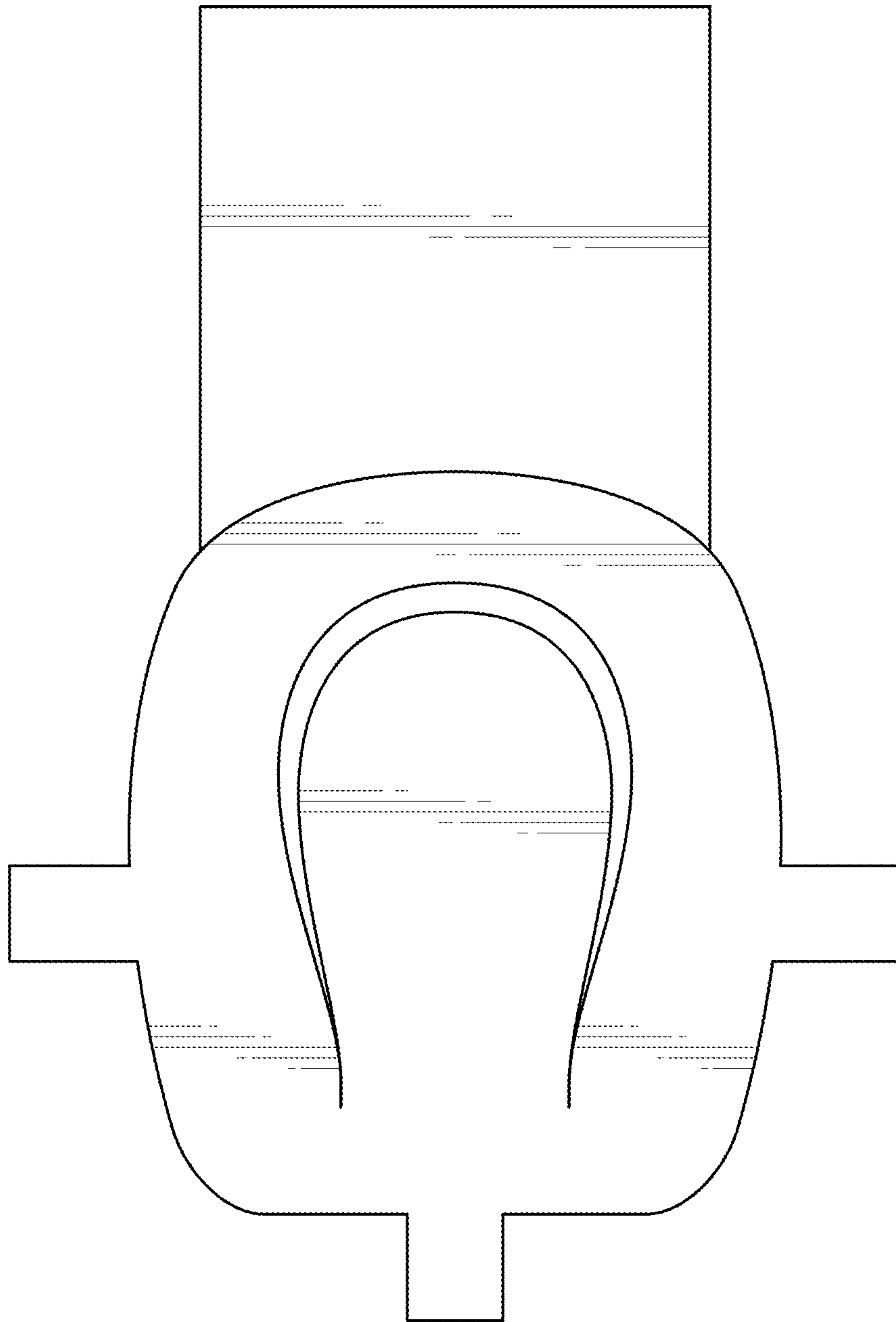


FIG. 8