



US00D989253S

(12) **United States Design Patent**
Bucher

(10) **Patent No.:** **US D989,253 S**
(45) **Date of Patent:** **** Jun. 13, 2023**

- (54) **SHOWER BASE**
- (71) Applicant: **AS America, Inc.**, Piscataway, NJ (US)
- (72) Inventor: **Christophe Bucher**, Hillsborough, NJ (US)
- (73) Assignee: **AS America, Inc.**, Piscataway, NJ (US)
- (**) Term: **15 Years**
- (21) Appl. No.: **29/772,693**
- (22) Filed: **Mar. 3, 2021**
- (51) **LOC (14) Cl.** **23-02**
- (52) **U.S. Cl.**
USPC **D23/304**
- (58) **Field of Classification Search**
USPC D23/275, 283, 303-304; D6/584, 586
See application file for complete search history.

- D816,818 S * 5/2018 Lieb D25/103
- D892,993 S * 8/2020 Shtraks D25/103
- D892,996 S * 8/2020 Molina D23/305
- D895,843 S * 9/2020 Cobb E04B 2/7427
D25/48.3
- 10,786,120 B2 * 9/2020 Thews E05D 15/0656
- D937,994 S * 12/2021 Bucher D23/280.1
- 2021/0100405 A1 * 4/2021 Stout B23K 26/364

* cited by examiner

Primary Examiner — Robert A Delehanty

(74) *Attorney, Agent, or Firm* — Tyler A. Stevenson;
Anna-Lisa L. Gallo

(57) **CLAIM**

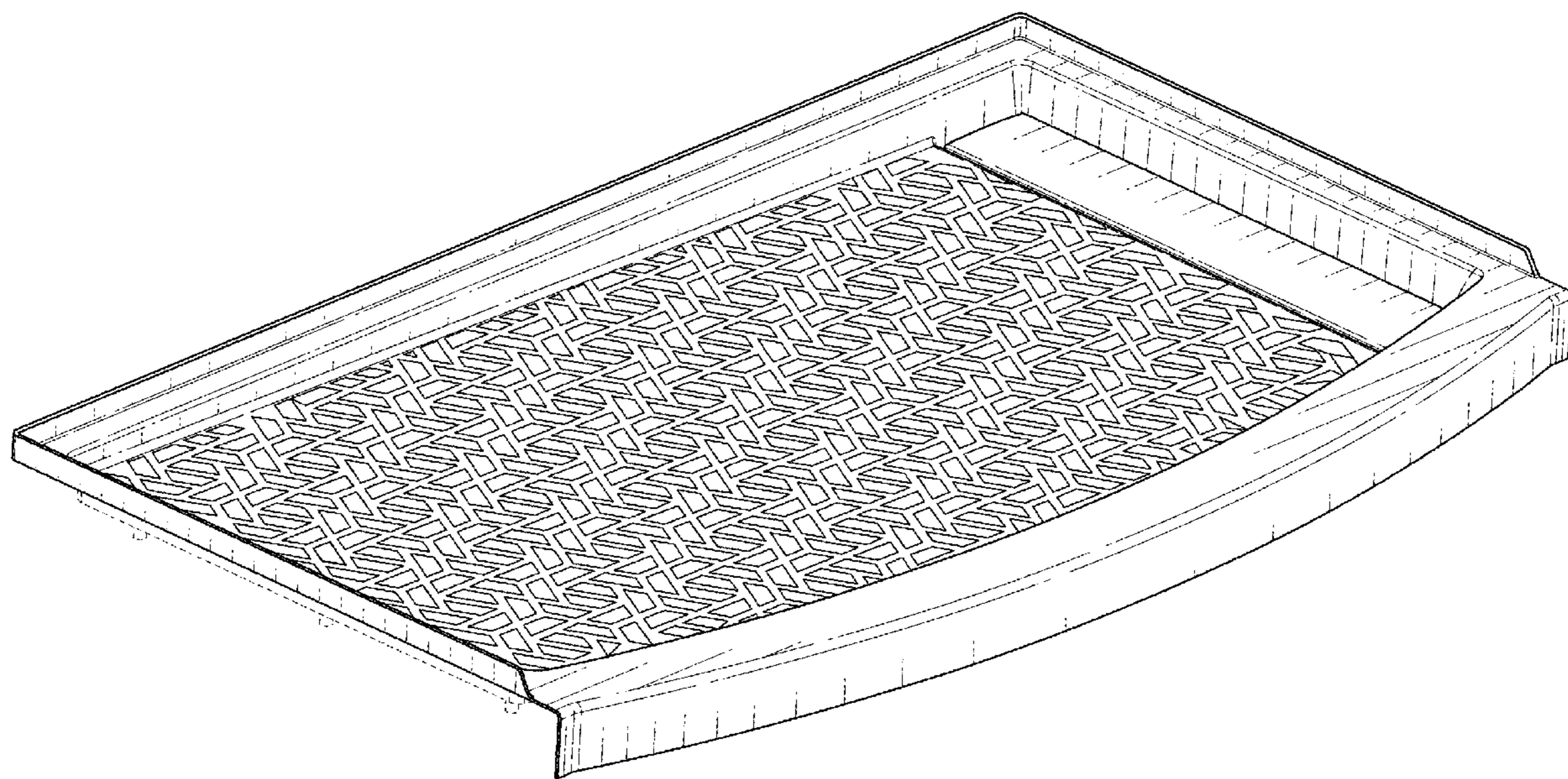
I claim the ornamental design for a shower base, as shown and described.

DESCRIPTION

FIG. 1 is a front, top, left side perspective view of a shower base showing my new design;
 FIG. 2 is a front view thereof;
 FIG. 3 is a rear view thereof;
 FIG. 4 is a left side view thereof;
 FIG. 5 is a right side view thereof;
 FIG. 6 is a top view thereof;
 FIG. 7 is a bottom view thereof; and,
 FIG. 8 is a front, bottom, right side perspective view thereof.
 Broken lines represent portions of the shower base that form no part of the claimed design.

1 Claim, 6 Drawing Sheets

- (56) **References Cited**
U.S. PATENT DOCUMENTS
- D230,807 S * 3/1974 Penson D6/584
- 3,942,199 A * 3/1976 Kollsman A47K 3/002
482/30
- 4,633,614 A * 1/1987 Van Weelden A47K 3/34
16/105
- D565,157 S * 3/2008 Bates D23/304
- D611,129 S * 3/2010 Hisey D23/304
- 9,945,117 B2 * 4/2018 Cobb E05D 15/26



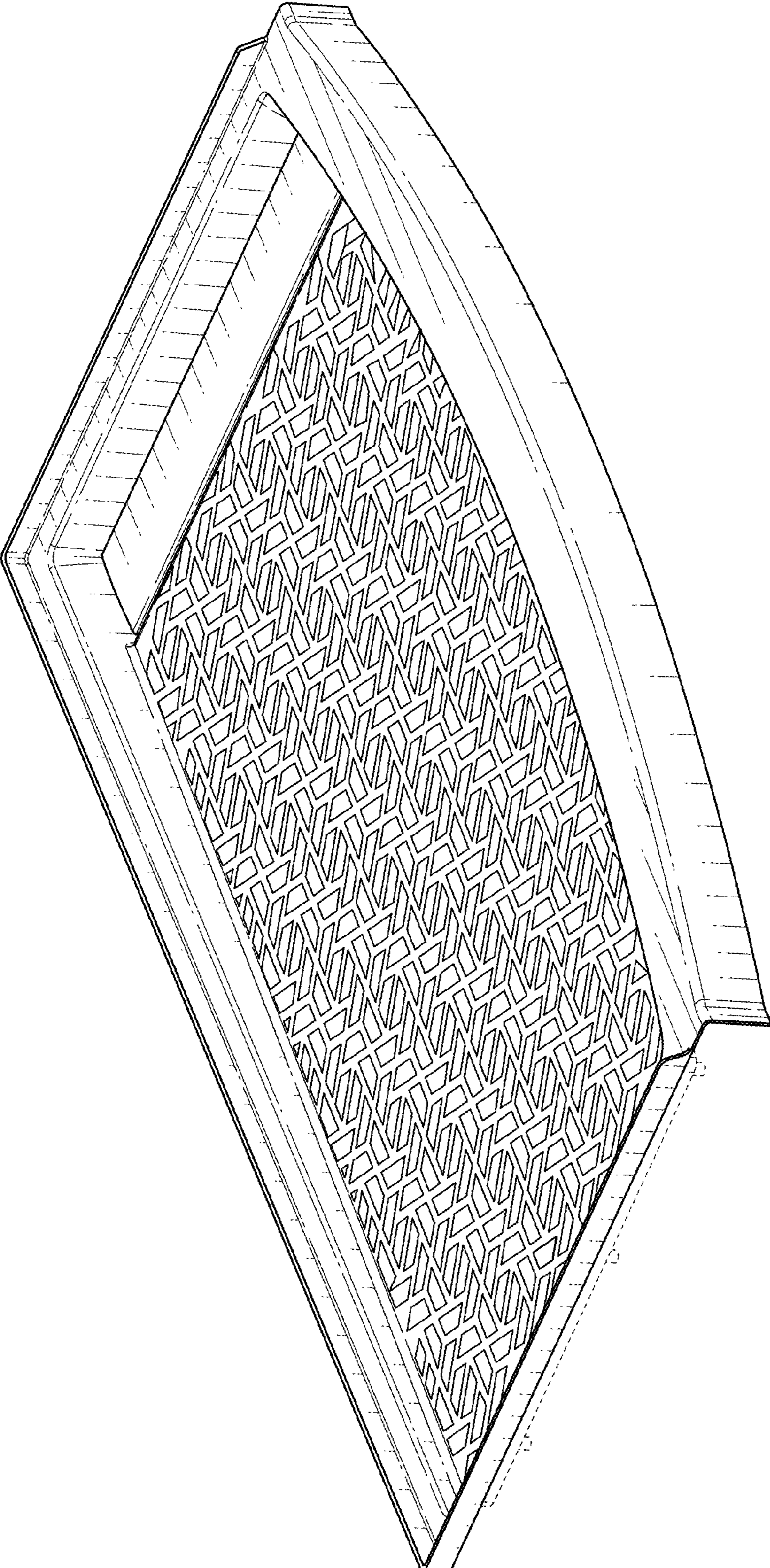


FIG. 1

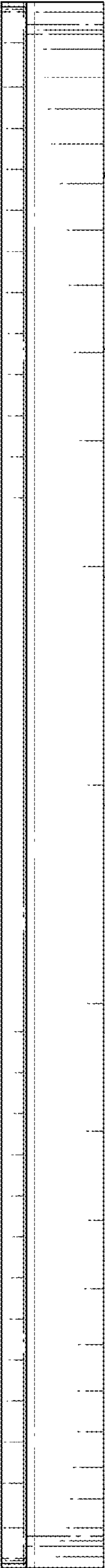


FIG. 2

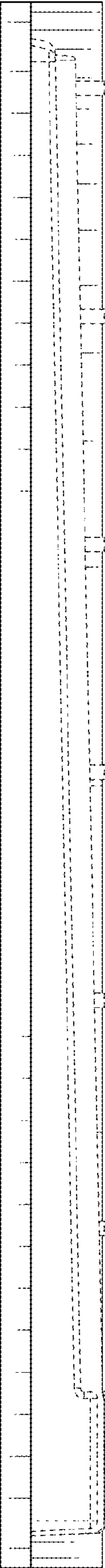


FIG. 3

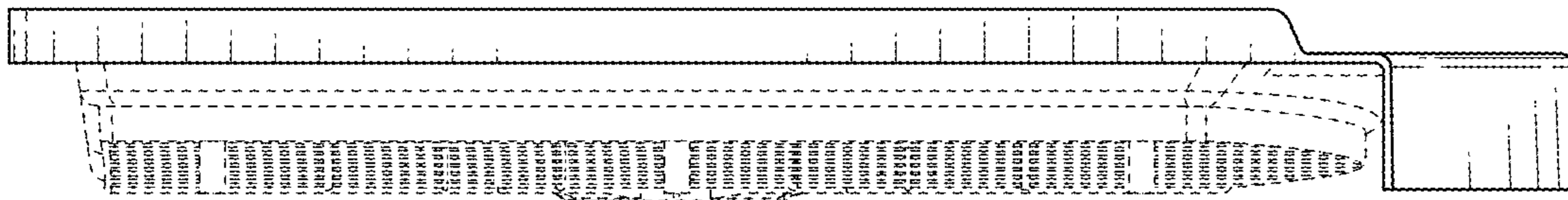


FIG. 4

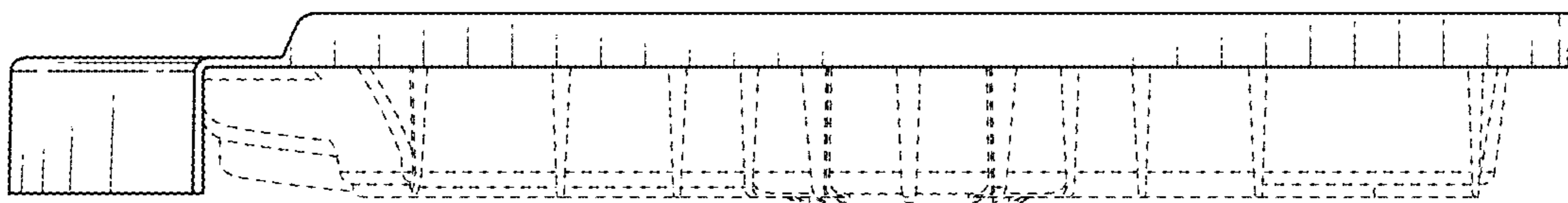


FIG. 5

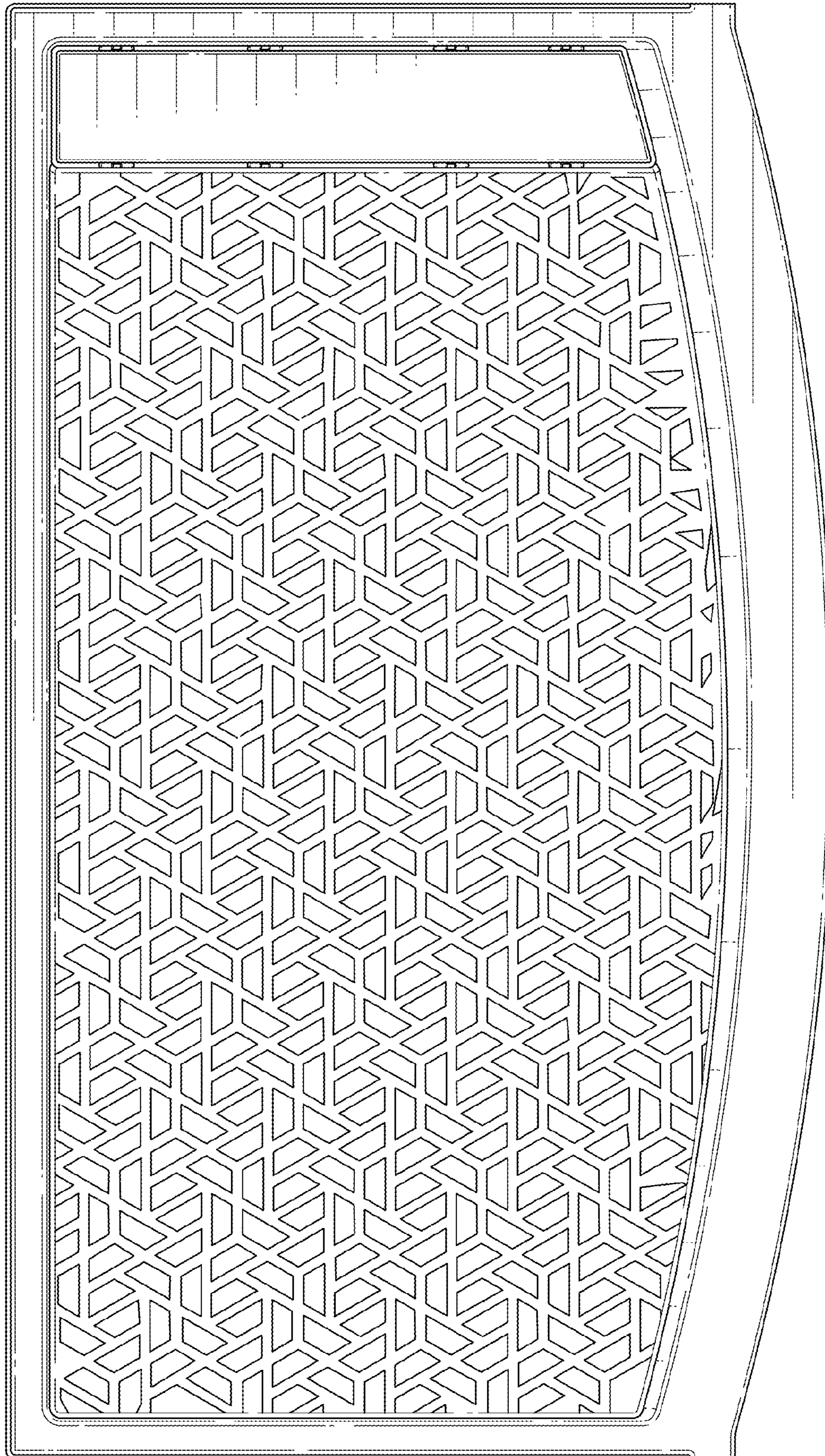


FIG. 6

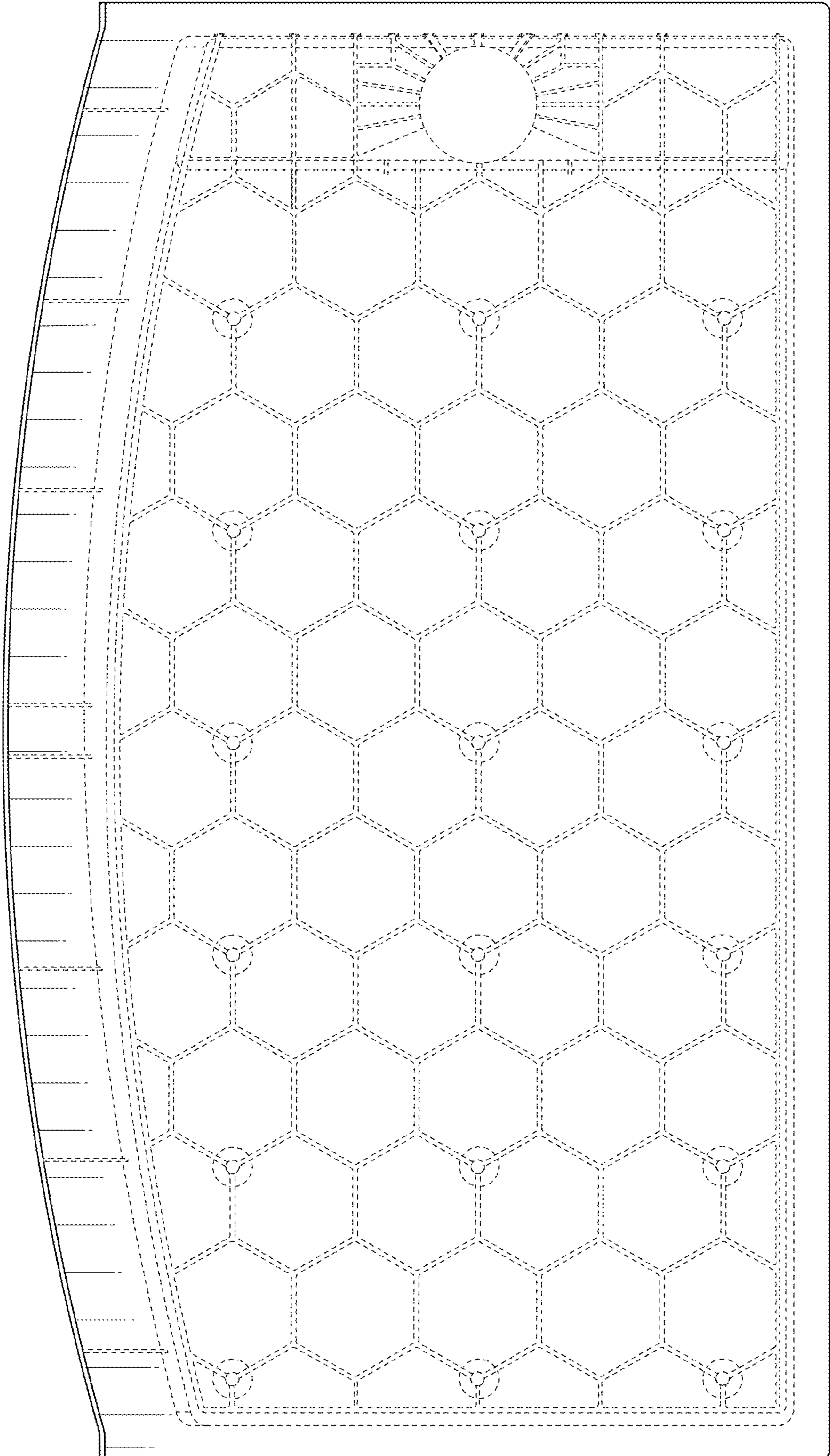


FIG. 7

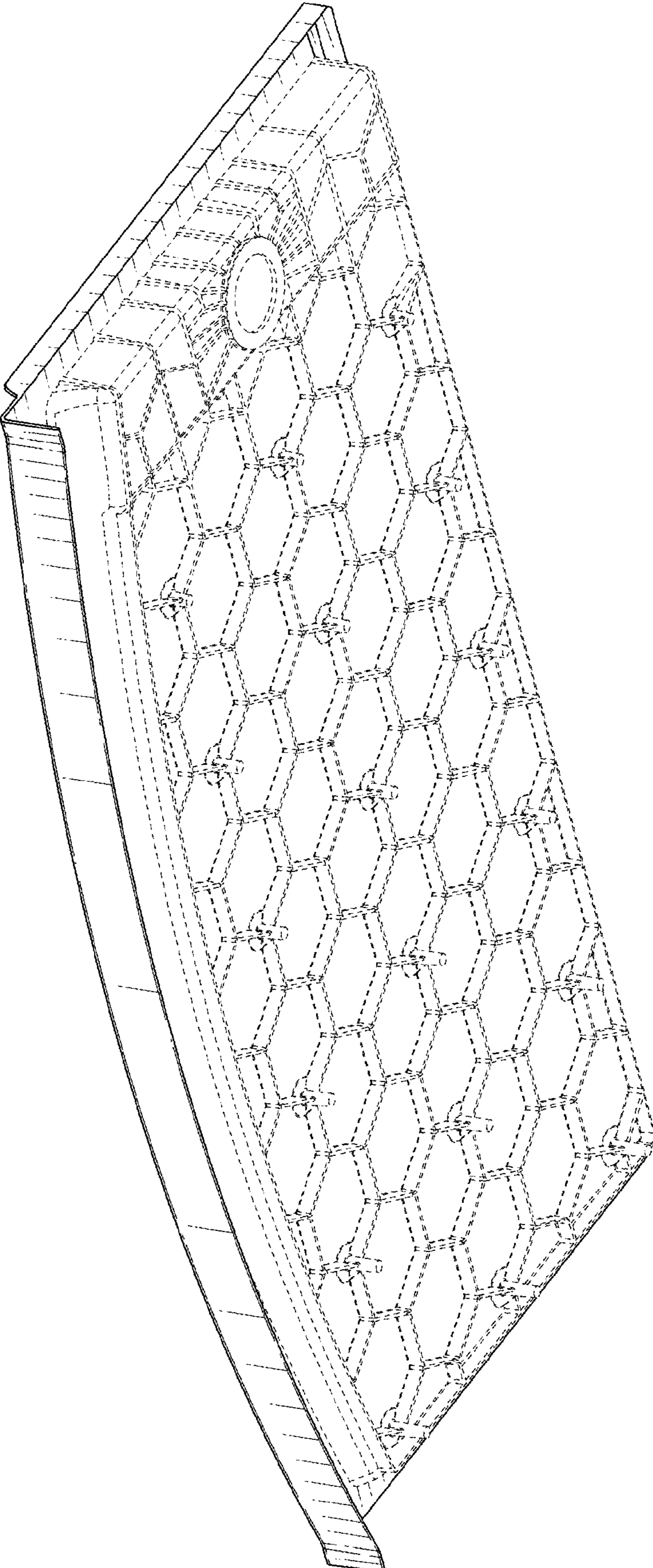


FIG. 8