



US00D989251S

(12) **United States Design Patent**  
**Bucher**

(10) **Patent No.:** **US D989,251 S**  
(45) **Date of Patent:** **\*\* Jun. 13, 2023**

- (54) **SHOWER BASE**
- (71) Applicant: **AS America, Inc.**, Piscataway, NJ (US)
- (72) Inventor: **Christophe Bucher**, Hillsborough, NJ (US)
- (73) Assignee: **AS America, Inc.**, Piscataway, NJ (US)
- (\*\*) Term: **15 Years**
- (21) Appl. No.: **29/772,683**
- (22) Filed: **Mar. 3, 2021**
- (51) **LOC (14) Cl.** ..... **23-02**
- (52) **U.S. Cl.**  
USPC ..... **D23/304**
- (58) **Field of Classification Search**  
USPC ..... D23/275, 283, 303-304; D6/584, 586  
See application file for complete search history.

- D461,882 S \* 8/2002 Piano ..... D23/304
- 6,698,037 B2 \* 3/2004 Lippe ..... A47K 3/30  
4/612
- D792,566 S \* 7/2017 Wei ..... D23/305
- 10,080,465 B2 \* 9/2018 Wei ..... F16B 5/0628
- 10,206,542 B2 \* 2/2019 Minkovich ..... E06B 3/4681
- D912,223 S \* 3/2021 Cobb ..... D23/283

\* cited by examiner

*Primary Examiner* — Robert A Delehanty  
(74) *Attorney, Agent, or Firm* — Tyler A. Stevenson;  
Anna-Lisa L. Gallo

(57) **CLAIM**

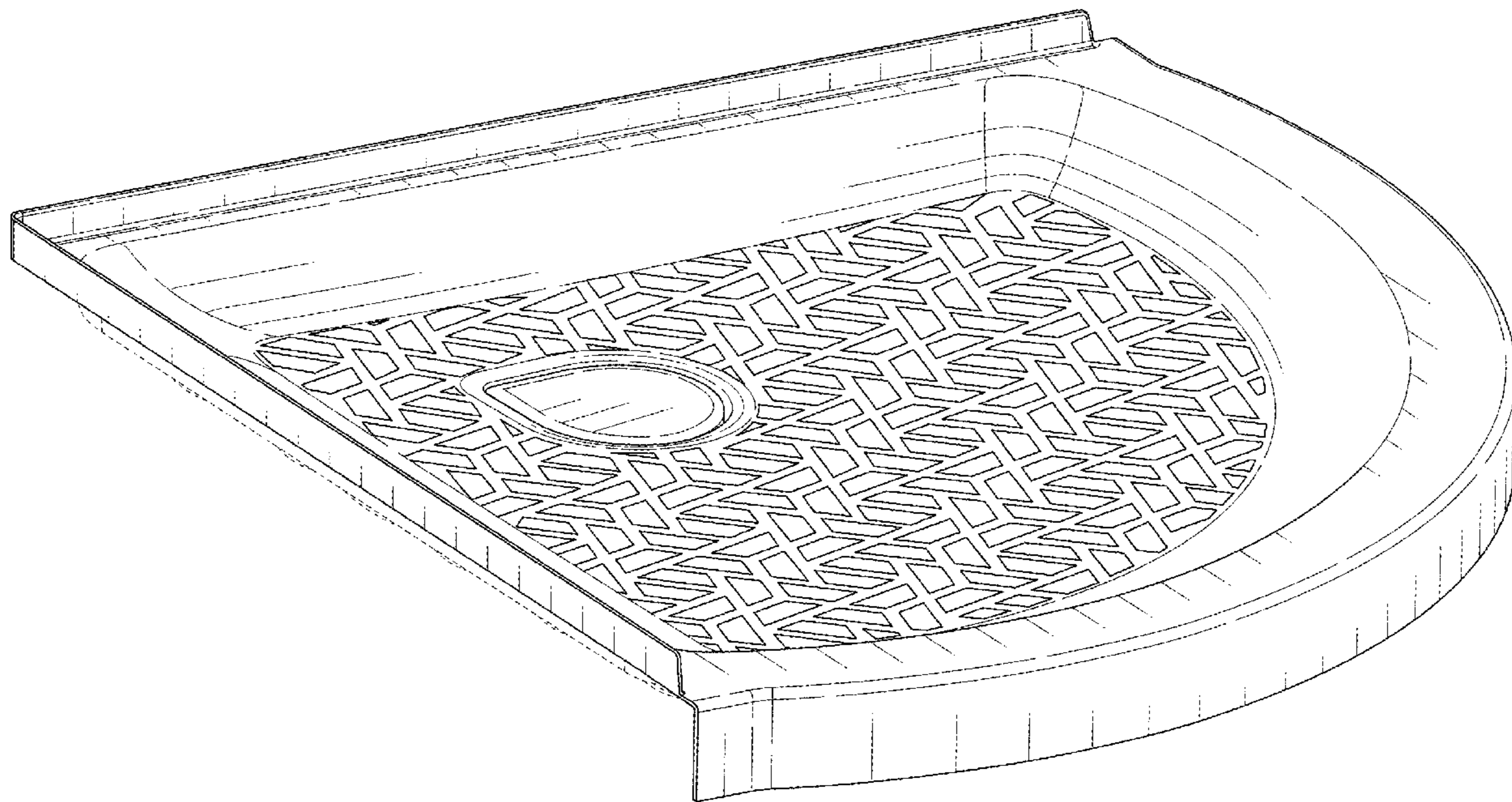
I claim the ornamental design for a shower base, as shown and described.

**DESCRIPTION**

FIG. 1 is a top, left side perspective view of a shower base showing my new design;  
FIG. 2 is a front view thereof;  
FIG. 3 is a rear view thereof;  
FIG. 4 is a left side view thereof;  
FIG. 5 is a right side view thereof;  
FIG. 6 is a top view thereof;  
FIG. 7 is a bottom view thereof; and,  
FIG. 8 is a bottom, right side perspective view thereof.  
Broken lines represent portions of the shower base that form no part of the claimed design.

**1 Claim, 6 Drawing Sheets**

- (56) **References Cited**  
U.S. PATENT DOCUMENTS  
D230,807 S \* 3/1974 Penson ..... D6/584  
3,942,199 A \* 3/1976 Kollsman ..... A47K 3/002  
D6/584  
4,375,736 A \* 3/1983 Teckchandani ..... A47K 3/36  
49/390  
D379,649 S \* 6/1997 Eeckhoudt ..... D23/283



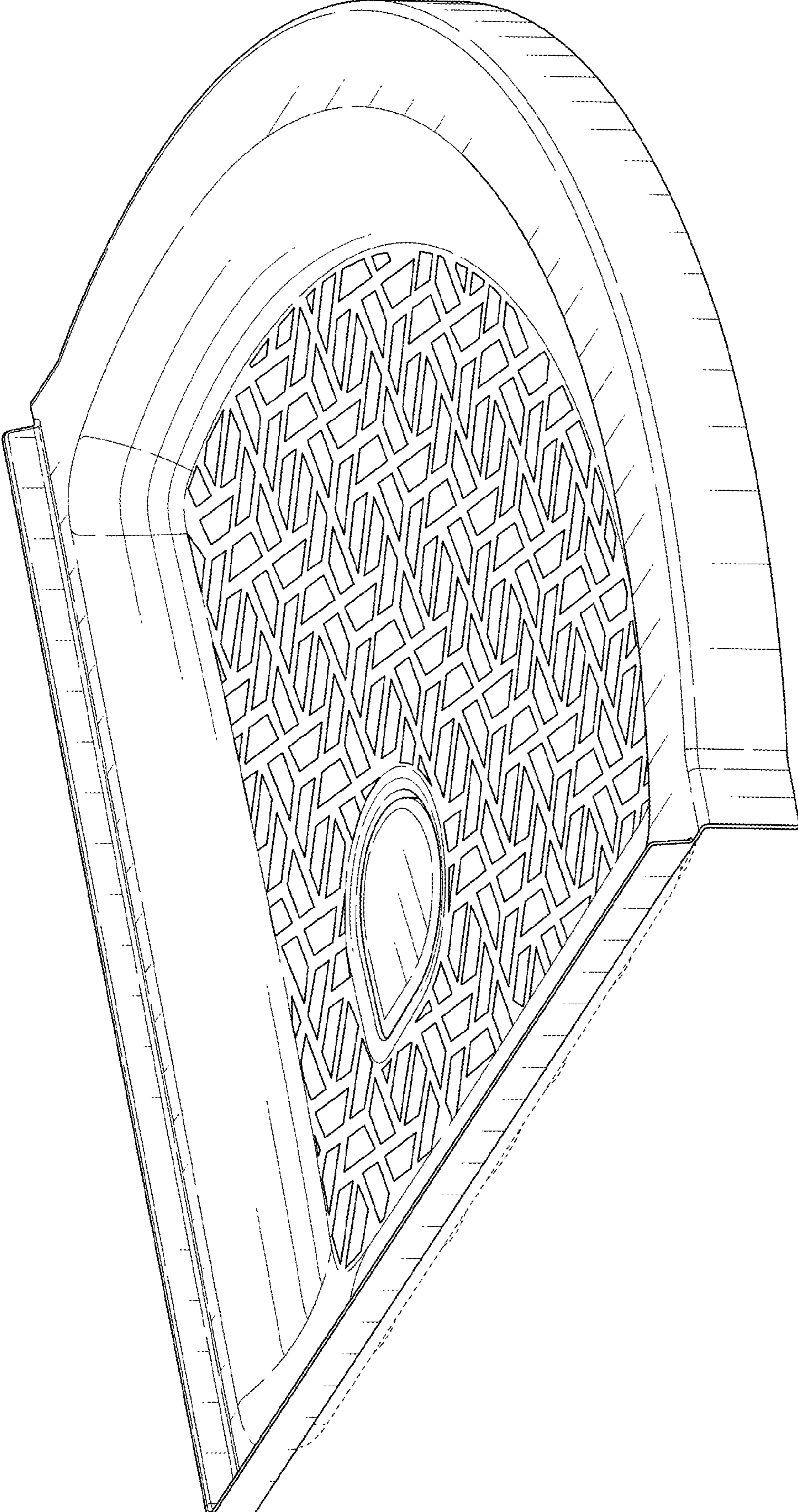


FIG. 1

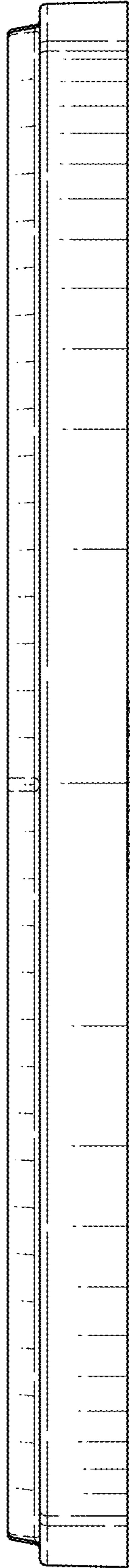


FIG. 2

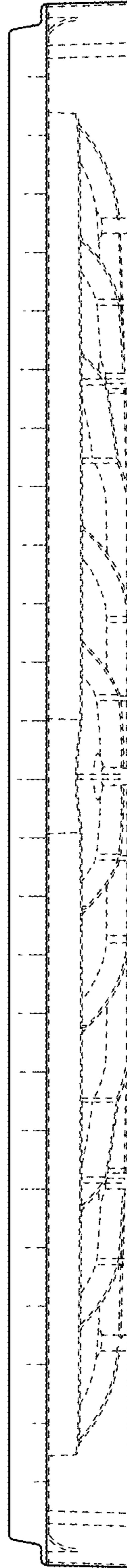


FIG. 3

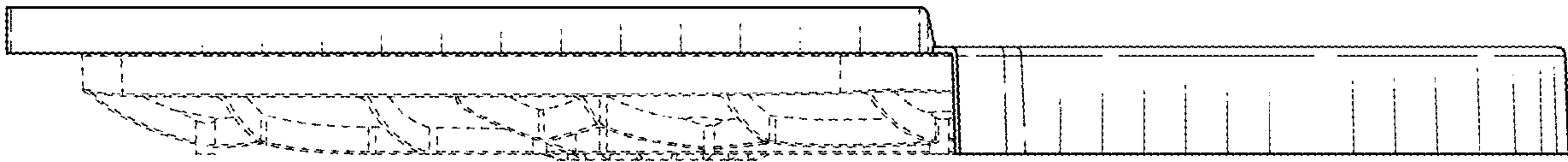


FIG. 4

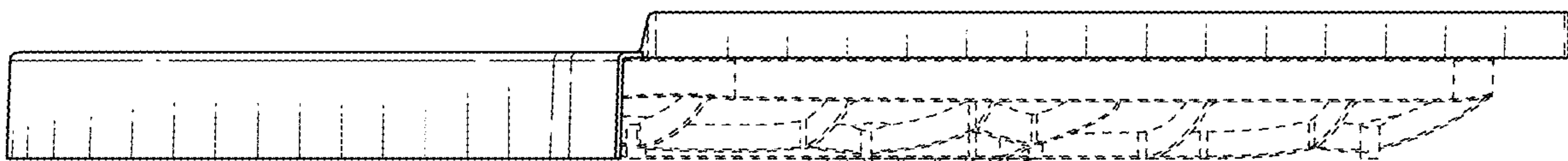


FIG. 5

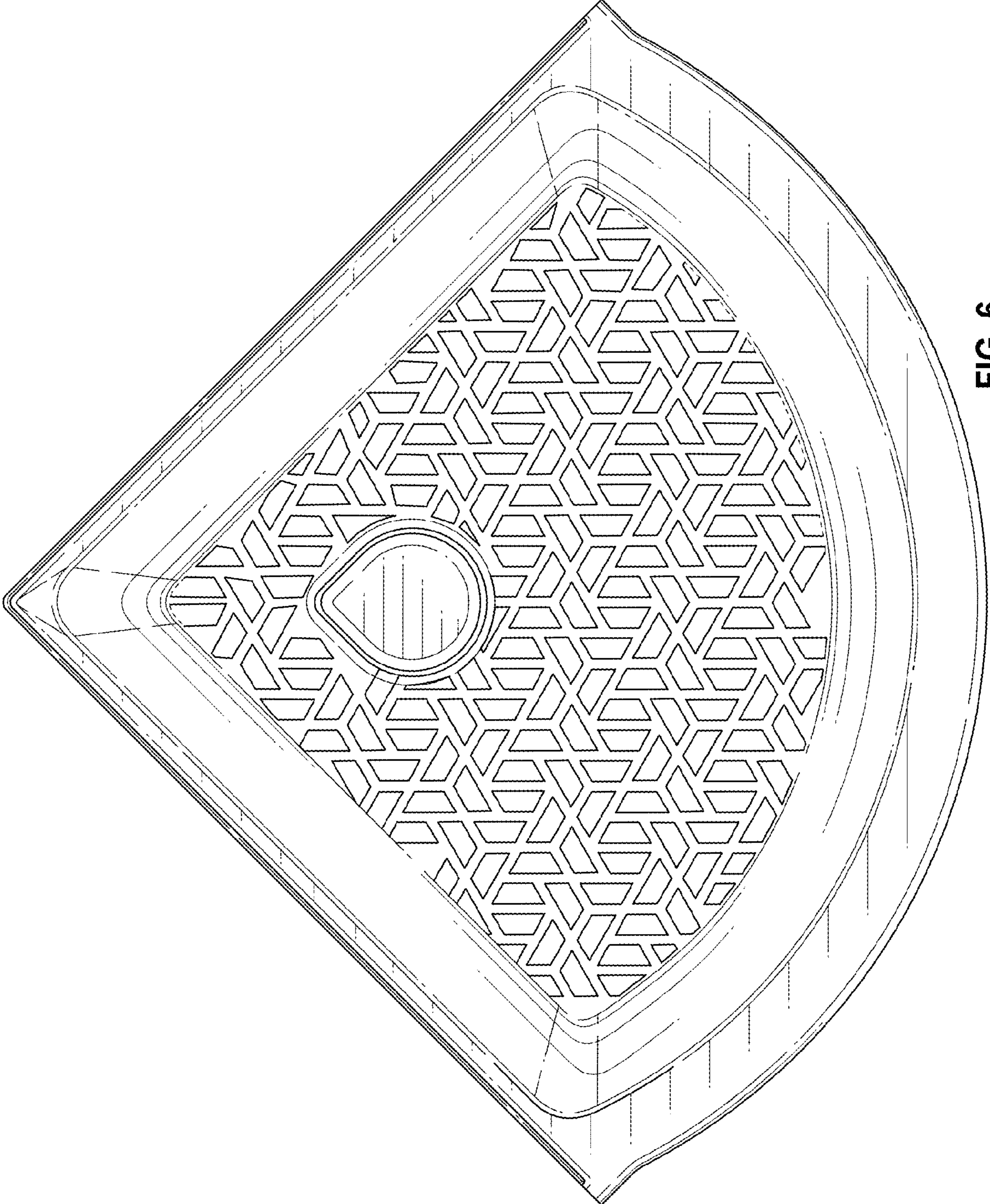


FIG. 6

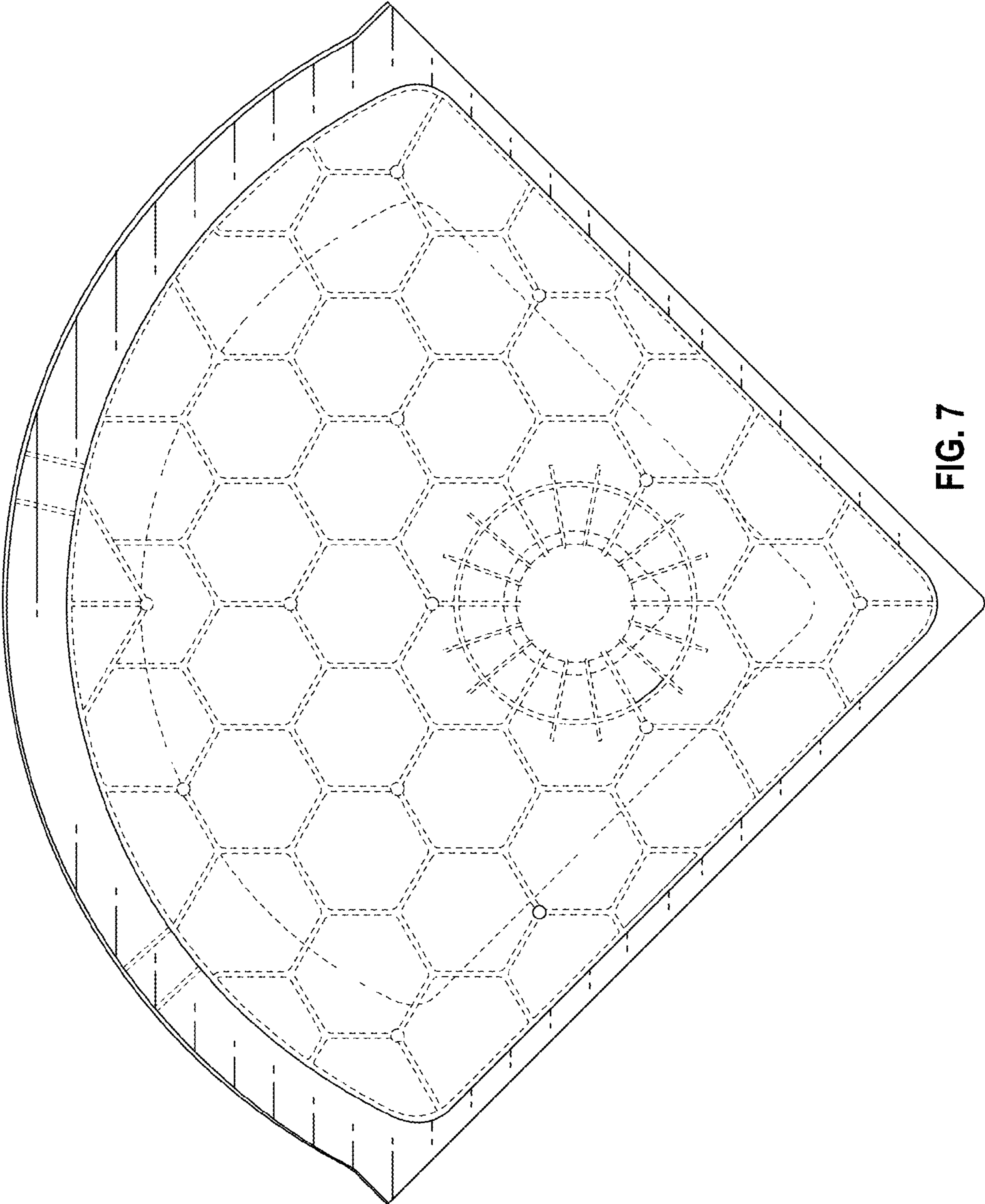


FIG. 7

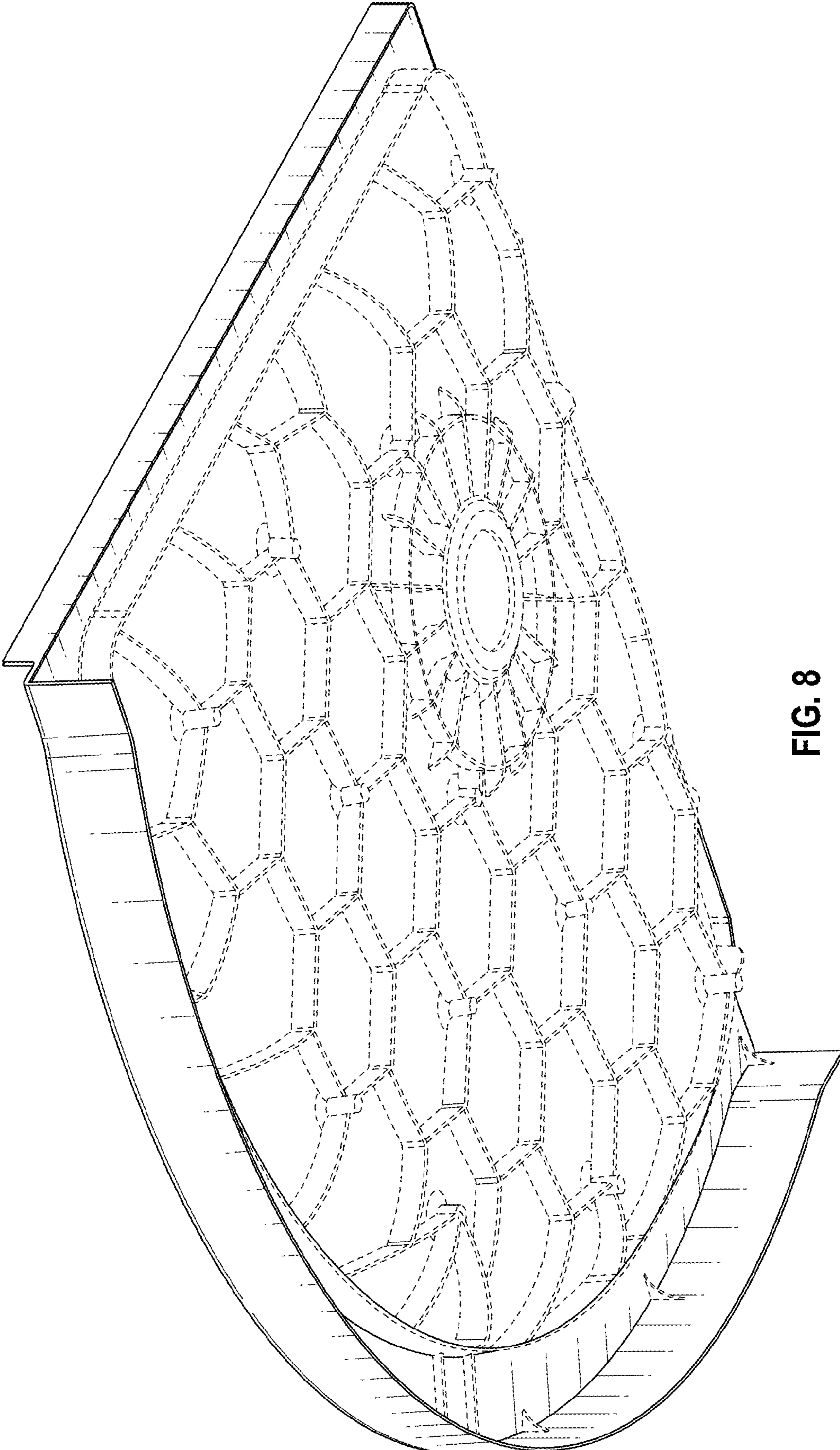


FIG. 8