



US00D989248S

(12) **United States Design Patent**
Yang

(10) **Patent No.:** **US D989,248 S**
(45) **Date of Patent:** **** Jun. 13, 2023**

(54) **BABY TOILET**

(71) Applicant: **XIAMEN BABY PRETTY PRODUCTS CO., LTD.**, Xiamen (CN)

(72) Inventor: **Jianbo Yang**, Xiamen (CN)

(73) Assignee: **XIAMEN BABY PRETTY PRODUCTS CO., LTD.**, Xiamen (CN)

(**) Term: **15 Years**

(21) Appl. No.: **29/785,033**

(22) Filed: **May 24, 2021**

(30) **Foreign Application Priority Data**

Nov. 24, 2020 (CN) 202030713183.8

(51) **LOC (14) Cl.** **23-07**

(52) **U.S. Cl.**
USPC **D23/296**

(58) **Field of Classification Search**
USPC D23/278-279, 295-303, 309, 311, 499
CPC A47K 13/06; A47K 13/10
See application file for complete search history.

(56) **References Cited**

U.S. PATENT DOCUMENTS

D128,641 S *	8/1941	Passaretti	D23/295
2,955,296 A *	10/1960	Zapolski	A47K 13/06
				297/250.1
D390,931 S *	2/1998	Jackson	D23/311
D570,970 S *	6/2008	Buitendach	A47K 11/06
				D23/296
D621,489 S *	8/2010	Tu	D23/311
D697,189 S *	1/2014	Rathbone	D23/311
D724,711 S *	3/2015	Capraro	D23/296
D755,358 S *	5/2016	Bodman	D23/311
D898,883 S *	10/2020	Jin	D23/296
D918,354 S *	5/2021	Xu	D23/296
D943,718 S *	2/2022	Jin	D23/311

11,369,239 B2 *	6/2022	Yang	A47K 11/04
2013/0097771 A1 *	4/2013	Smith	A47K 13/06
				4/237
2015/0265109 A1 *	9/2015	Capraro	E05D 11/1028
				4/239

FOREIGN PATENT DOCUMENTS

CN 305663150 * 3/2020

OTHER PUBLICATIONS

Little Chicks Toilet Training Potty Topper announced Oct. 1, 2019[online], [site visited Sep. 22, 2022]. Available from internet, URL:<<https://www.amazon.ca/dp/B07MHCFCBX>> (Year: 2019).*

(Continued)

Primary Examiner — Jae Liang

Assistant Examiner — Jamaal Rasheed

(74) *Attorney, Agent, or Firm* — Bayramoglu Law Offices LLC

(57) **CLAIM**

The ornamental design for a baby toilet, as shown and described.

DESCRIPTION

FIG. 1 is a perspective view of a baby toilet showing my new design;

FIG. 2 is a front view thereof;

FIG. 3 is a rear view thereof;

FIG. 4 is a left side view thereof, a right side view being a mirror image of the left side view;

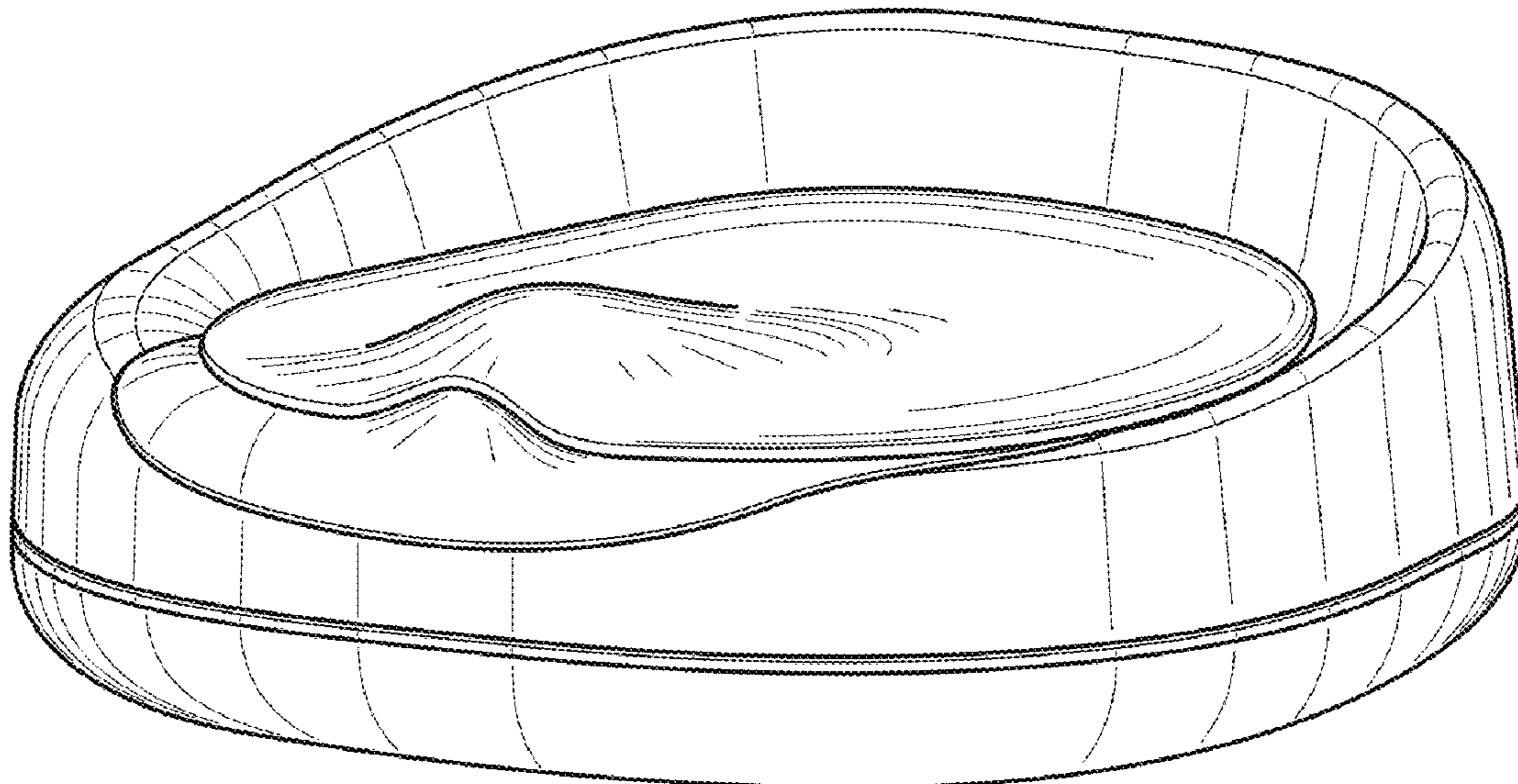
FIG. 5 is a top view thereof;

FIG. 6 is a bottom view thereof; and,

FIG. 7 is a perspective view thereof in an unfolded configuration.

The broken lines depict portions of the baby toilet that form no part of the claimed design.

1 Claim, 7 Drawing Sheets



(56)

References Cited

OTHER PUBLICATIONS

Angelbliss Baby Potty Training Toilet Seat, announced Aug. 7, 2019[online], [site visited Sep. 22, 2022]. Available from internet, URL:<<https://www.amazon.com/Angelbliss-Training-Cushion-Collection-Anti-Slip/dp/B07VVNMCNP>> (Year: 2019).*

* cited by examiner

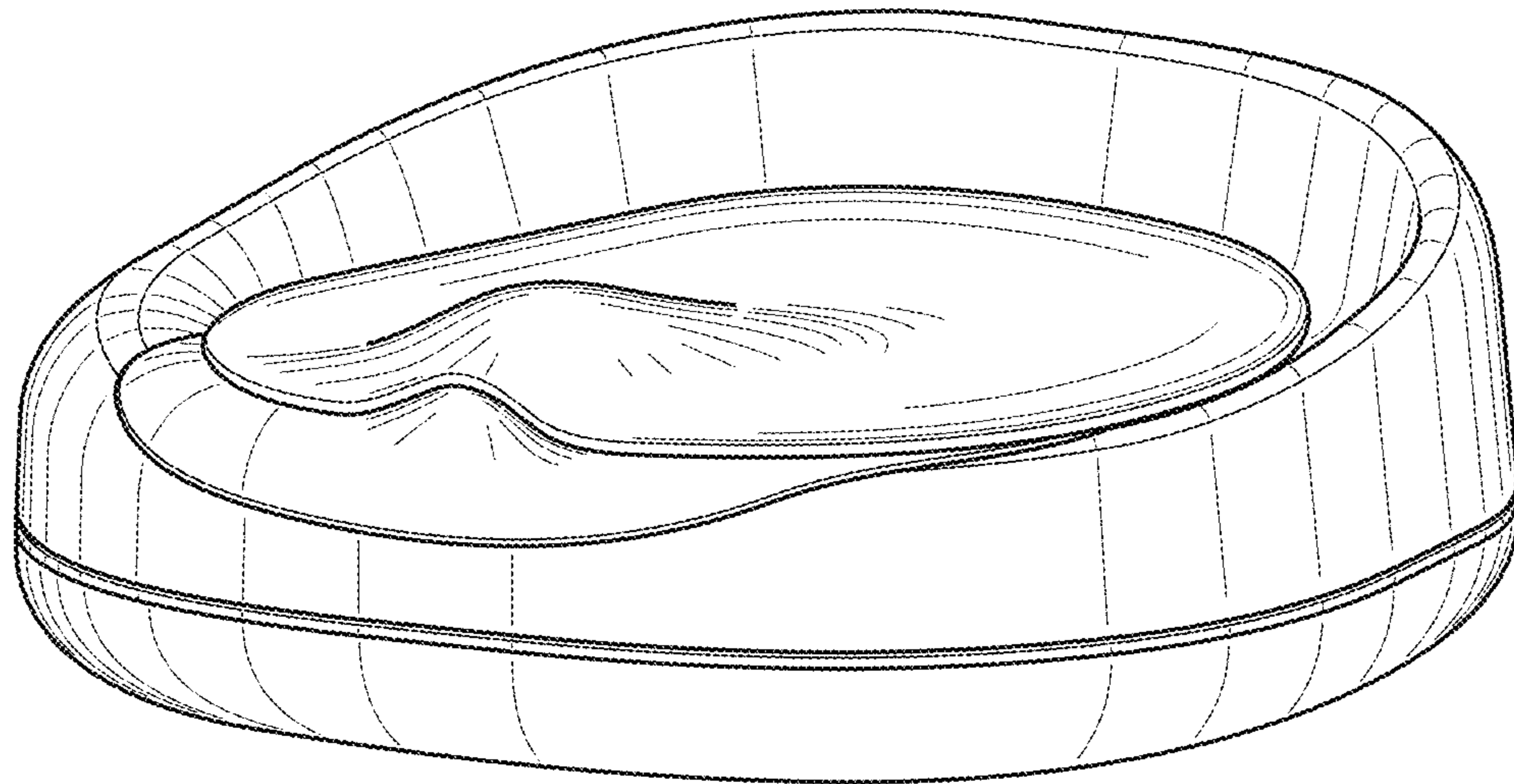


Fig. 1

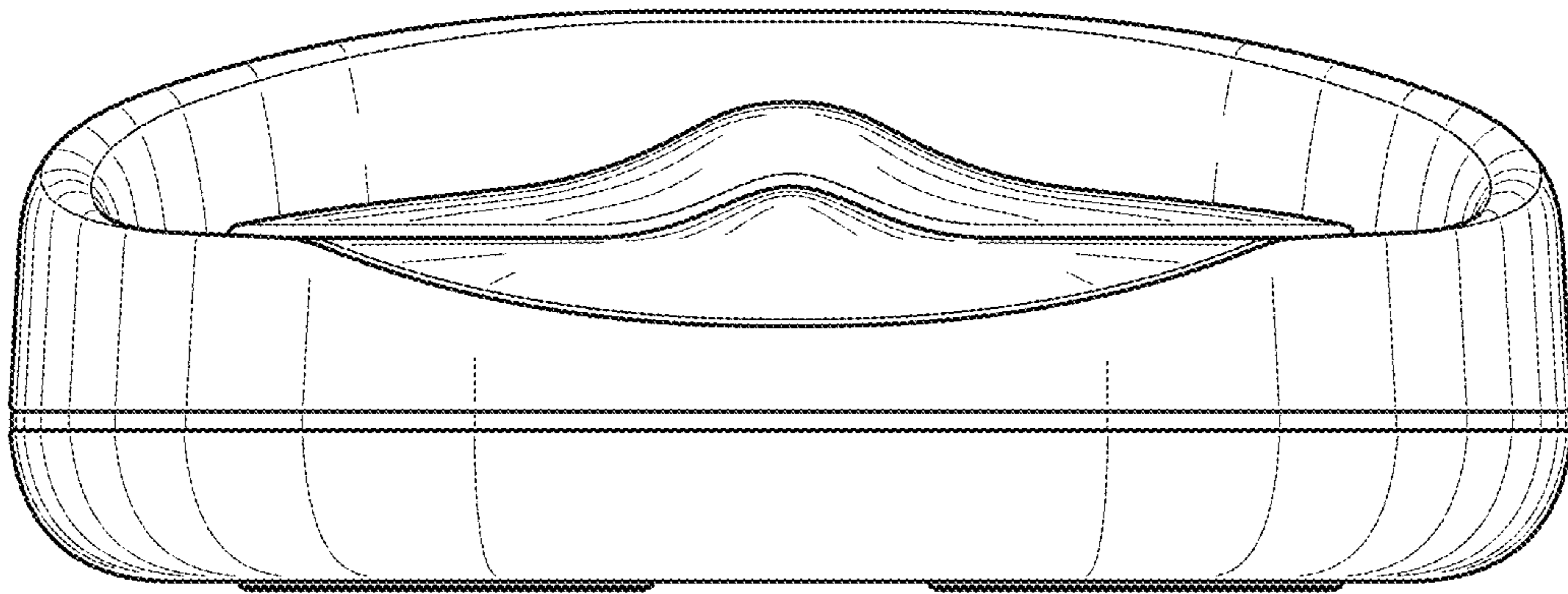


Fig. 2

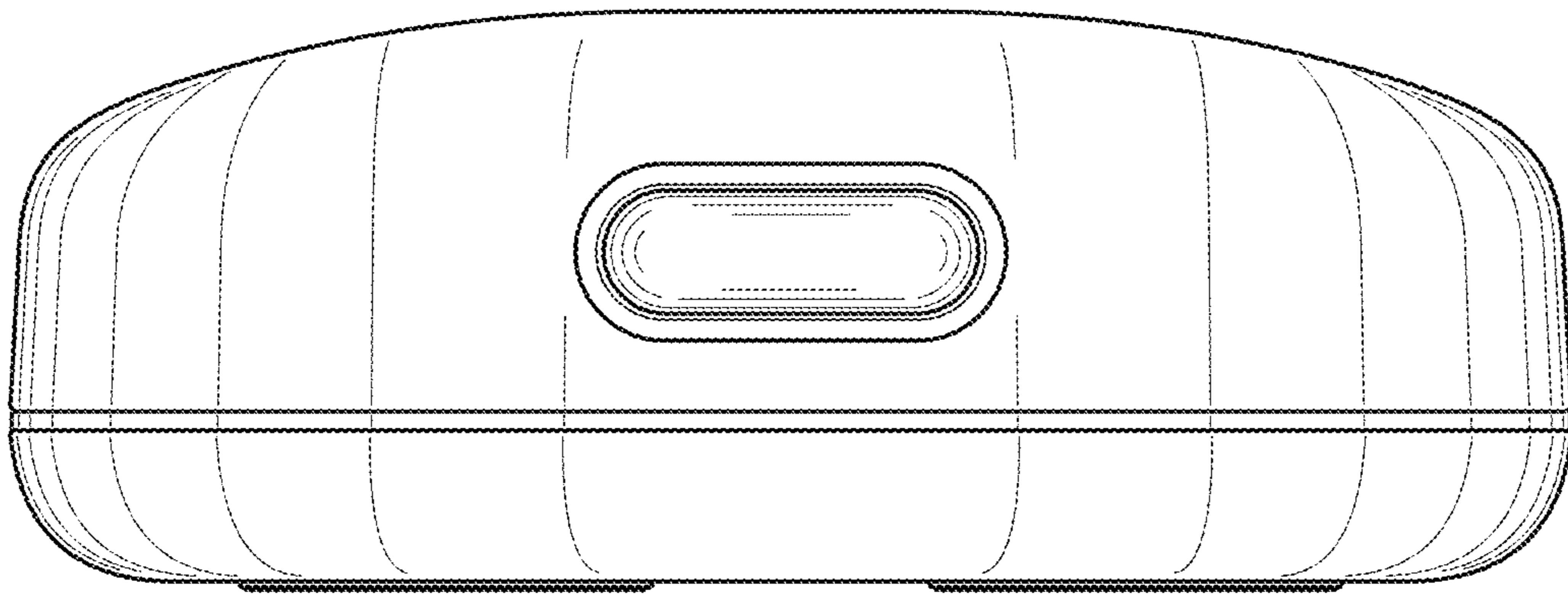


Fig. 3

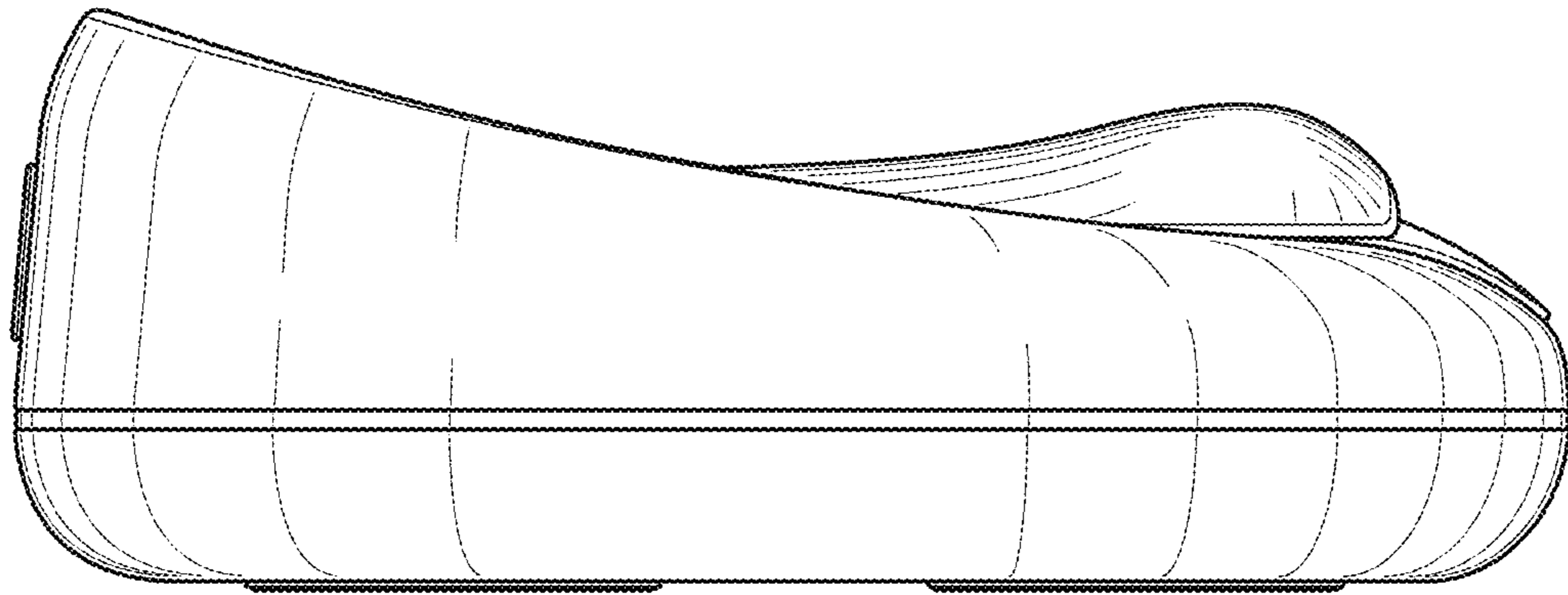


Fig. 4

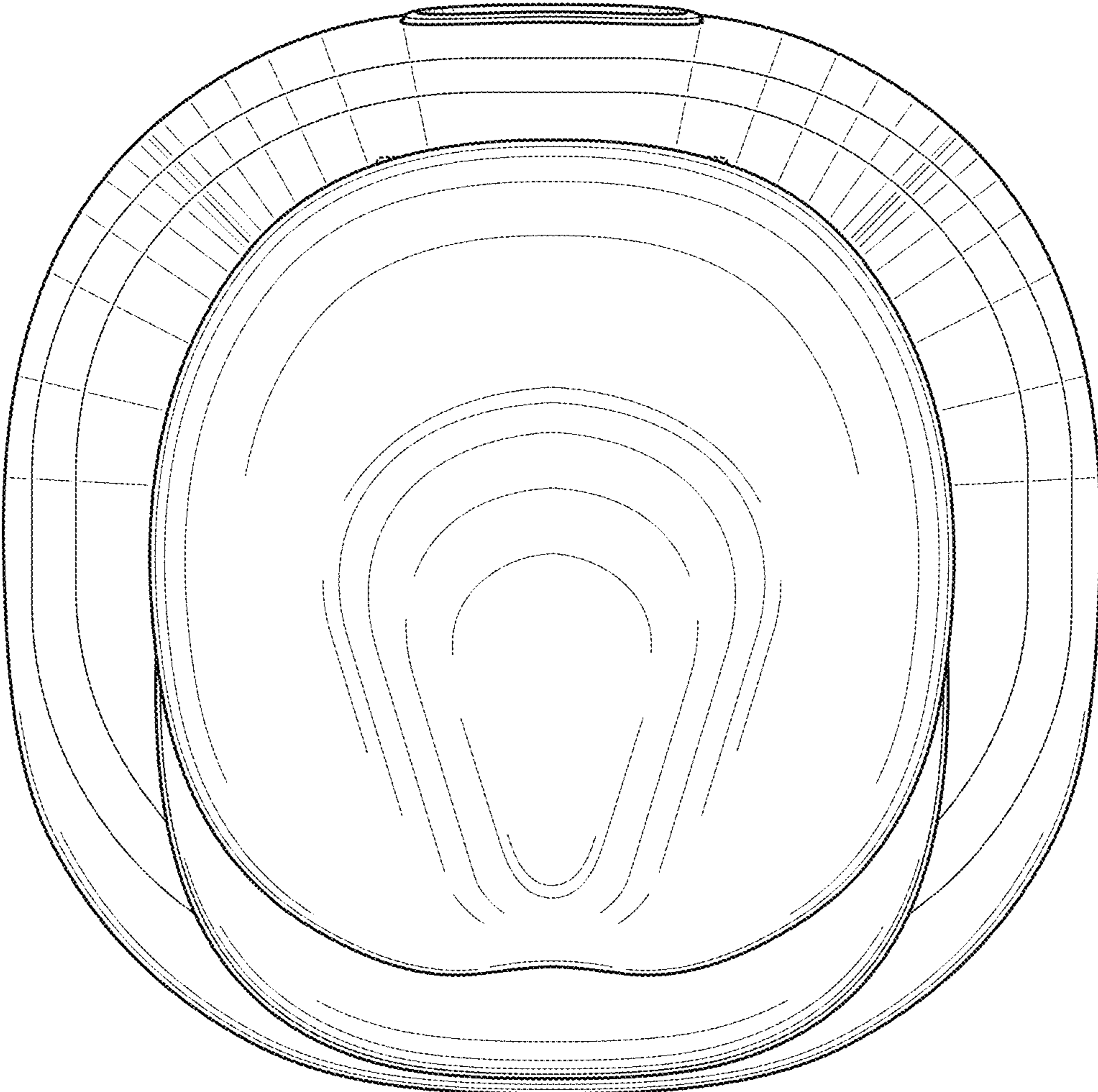


Fig. 5

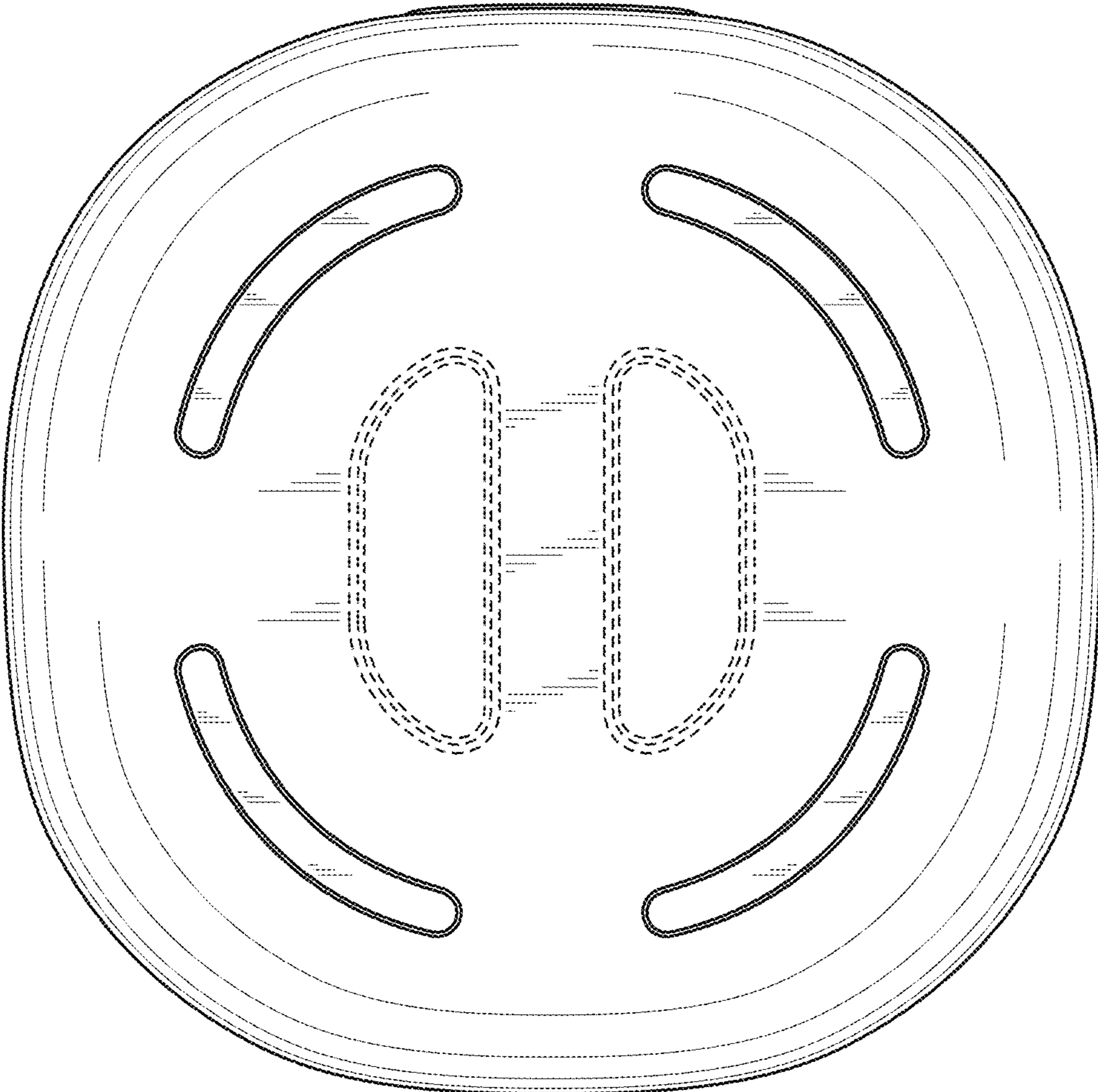


Fig. 6

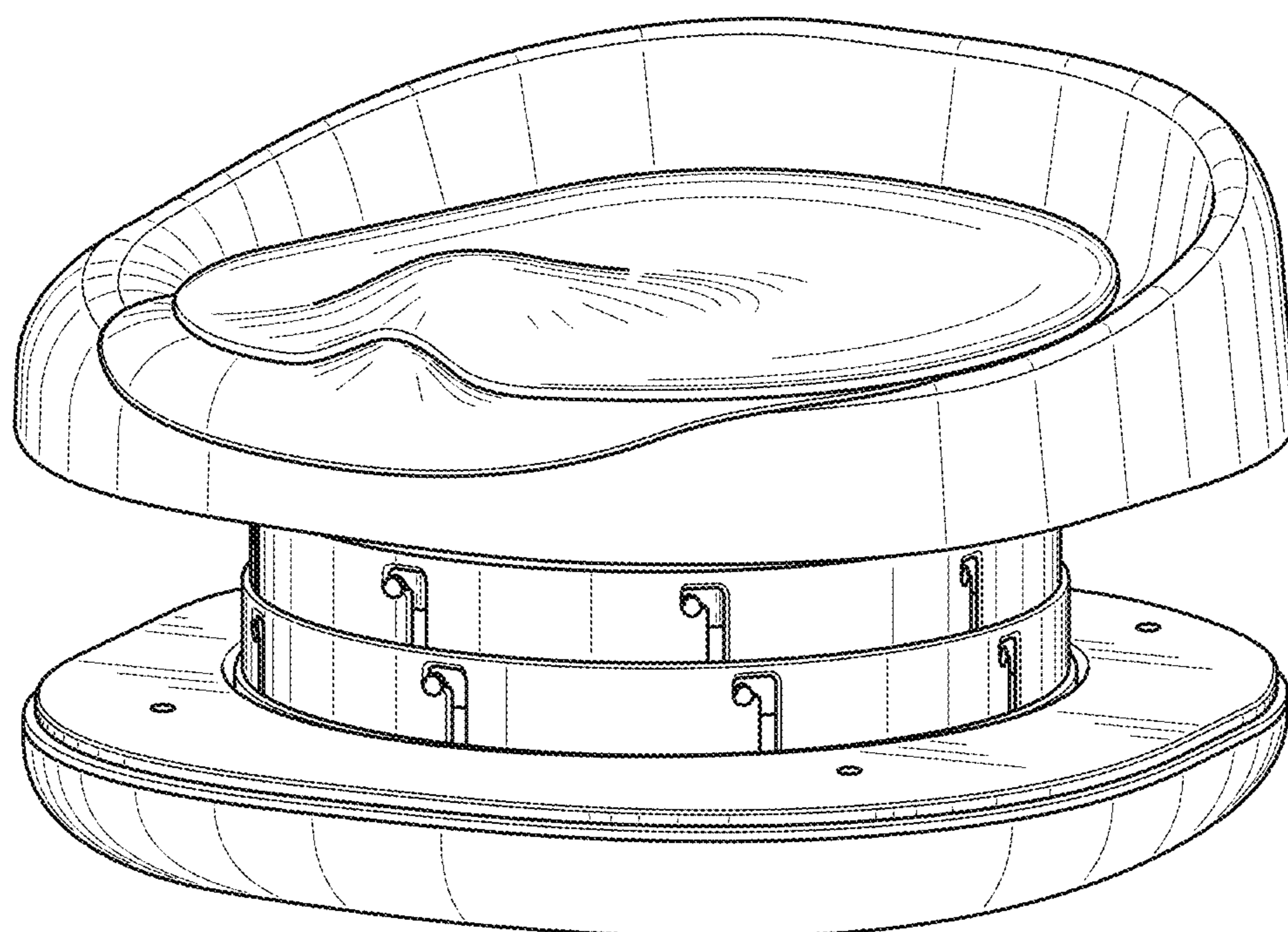


Fig. 7