



US00D989247S

(12) **United States Design Patent** (10) **Patent No.:** **US D989,247 S**
Yang (45) **Date of Patent:** **** Jun. 13, 2023**

(54) **BABY TOILET**

FOREIGN PATENT DOCUMENTS

(71) Applicant: **XIAMEN BABY PRETTY PRODUCTS CO., LTD.**, Xiamen (CN)

CN 305911332 * 7/2020
CN 306020503 * 8/2020

(72) Inventor: **Jianbo Yang**, Xiamen (CN)

OTHER PUBLICATIONS

(73) Assignee: **XIAMEN BABY PRETTY PRODUCTS CO., LTD.**, Xiamen (CN)

Summer Infant 11436 Step by Step Potty, announced Apr. 25, 2015[online], [site visited Sep. 22, 2022]. Available from internet, URL:<<https://www.amazon.ca/Summer-Infant-11436-Step-Potty/dp/B00F667V3W>> (Year: 2015).*

(**) Term: **15 Years**

Potty Training Toilet, announced Apr. 6, 2022[online], [site visited Sep. 22, 2022]. Available from internet, URL:<<https://www.amazon.ca/dp/B09P8B3MN6?th=1>> (Year: 2022).*

(21) Appl. No.: **29/783,013**

(22) Filed: **May 11, 2021**

* cited by examiner

(30) **Foreign Application Priority Data**

Dec. 11, 2020 (CN) 202030764605.4

(51) **LOC (14) Cl.** **23-07**

(52) **U.S. Cl.**
USPC **D23/296**

(58) **Field of Classification Search**
USPC D23/278–279, 295–303, 309, 311, 499
CPC A47K 13/06
See application file for complete search history.

Primary Examiner — Jae Liang
Assistant Examiner — Jamaal Rasheed
(74) *Attorney, Agent, or Firm* — Bayramoglu Law Offices LLC

(57) **CLAIM**

The ornamental design for a baby toilet, as shown and described.

DESCRIPTION

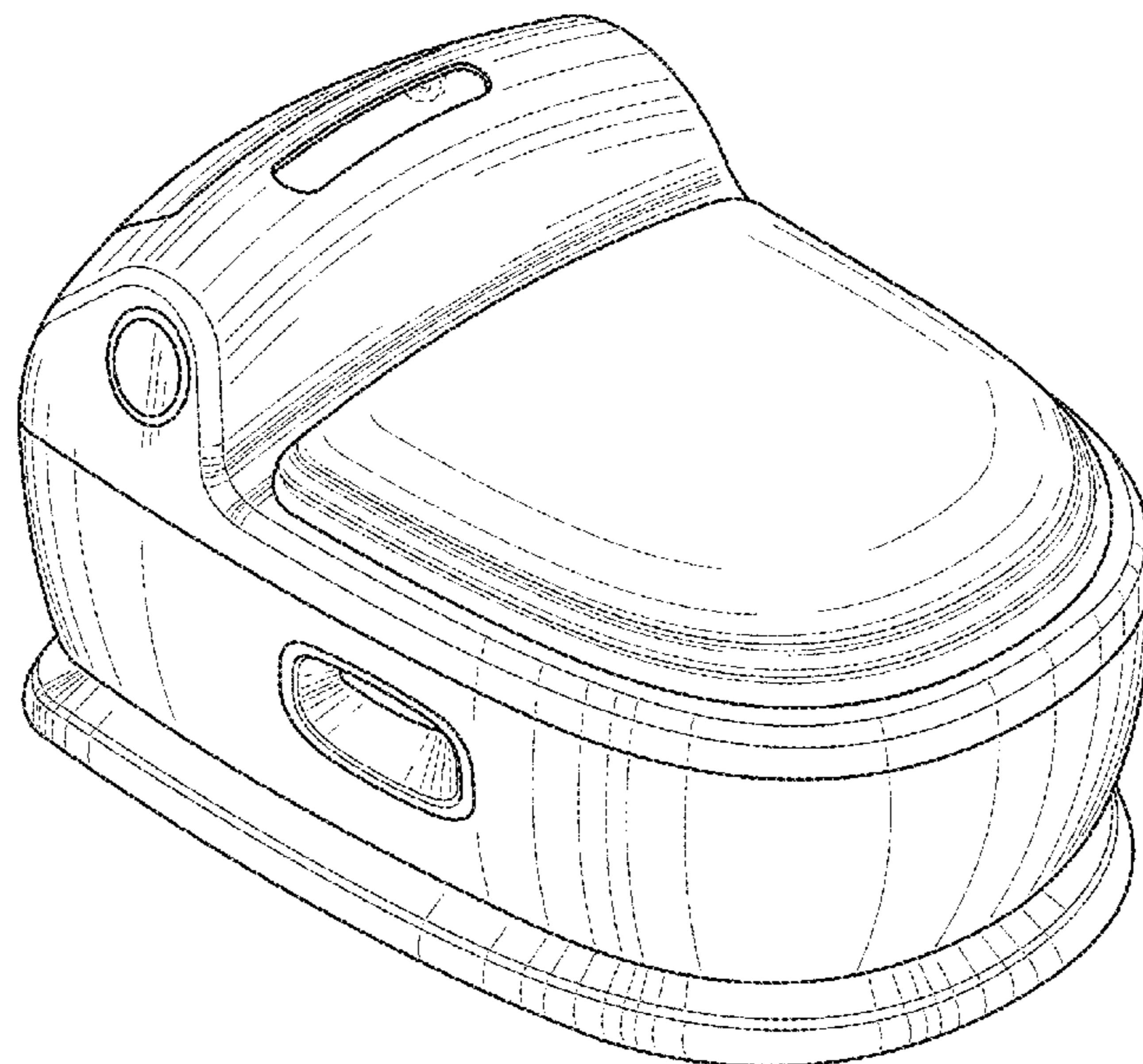
(56) **References Cited**

U.S. PATENT DOCUMENTS

| | | | | |
|-------------------|---------|----------|-------|------------|
| D620,566 S * | 7/2010 | Ogata | | D23/301 |
| D642,247 S * | 7/2011 | Jiang | | D23/295 |
| D703,796 S * | 4/2014 | McKeone | | D23/300 |
| D704,316 S * | 5/2014 | Ishikawa | | D23/295 |
| D733,270 S * | 6/2015 | Hao | | D23/301 |
| D743,011 S * | 11/2015 | Woodside | | D23/299 |
| D766,405 S * | 9/2016 | Flowers | | D23/300 |
| D796,017 S * | 8/2017 | Yoshioka | | D23/295 |
| D866,729 S * | 11/2019 | Waggoner | | D23/299 |
| D891,592 S * | 7/2020 | Berschin | | D23/300 |
| D949,297 S * | 4/2022 | Ravassa | | D23/300 |
| 2022/0183517 A1 * | 6/2022 | Yang | | A47K 13/10 |

FIG. 1 is a perspective view of a baby toilet showing my new design;
FIG. 2 is a front view thereof;
FIG. 3 is a rear view thereof;
FIG. 4 is a right side view thereof;
FIG. 5 is a left side view thereof;
FIG. 6 is a top view thereof;
FIG. 7 is a bottom view thereof; and,
FIG. 8 is another perspective view thereof in an opened configuration.
The broken lines depict portions of the baby toilet that form no part of the claimed design.

1 Claim, 8 Drawing Sheets



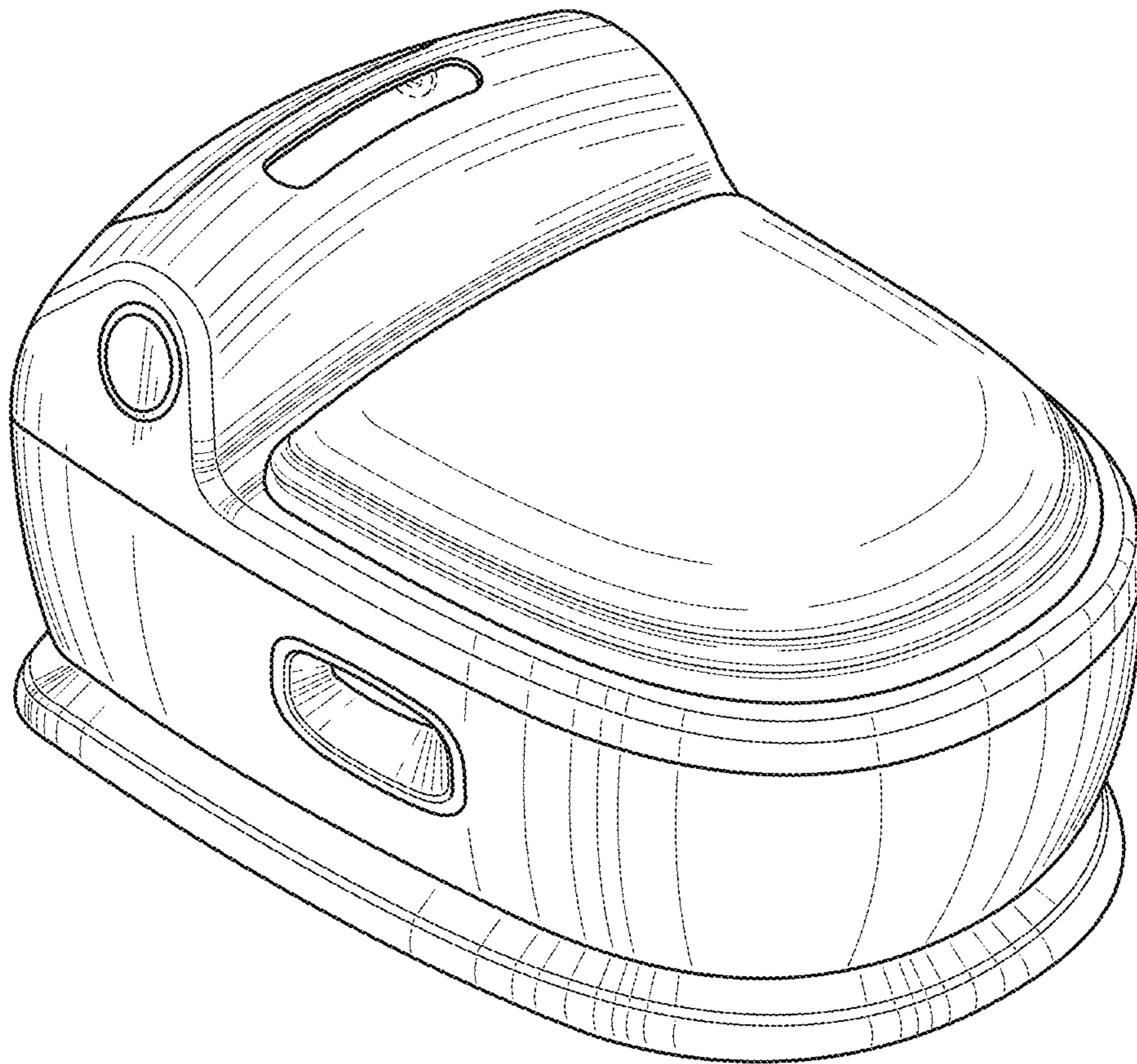


Fig. 1

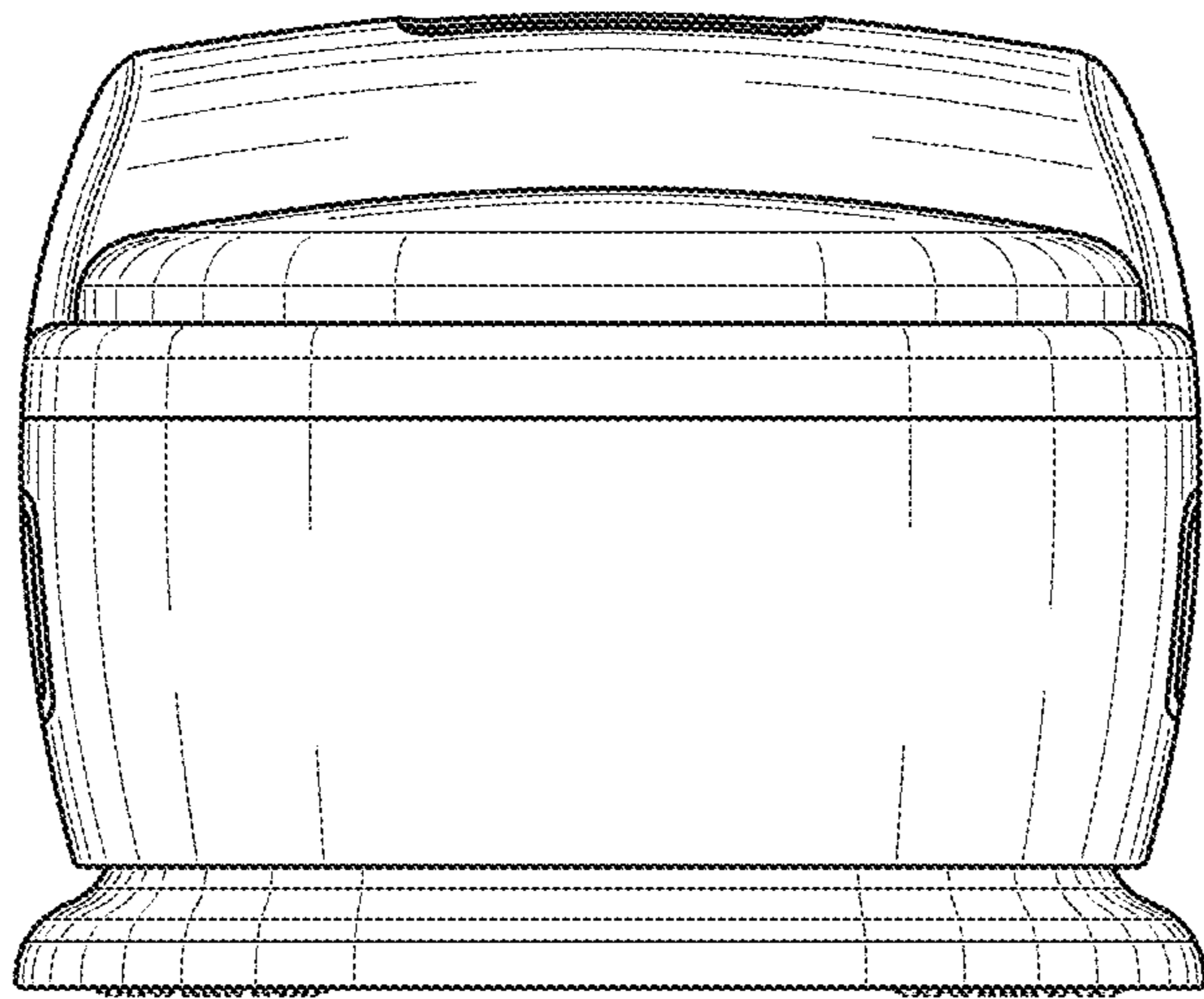


Fig. 2

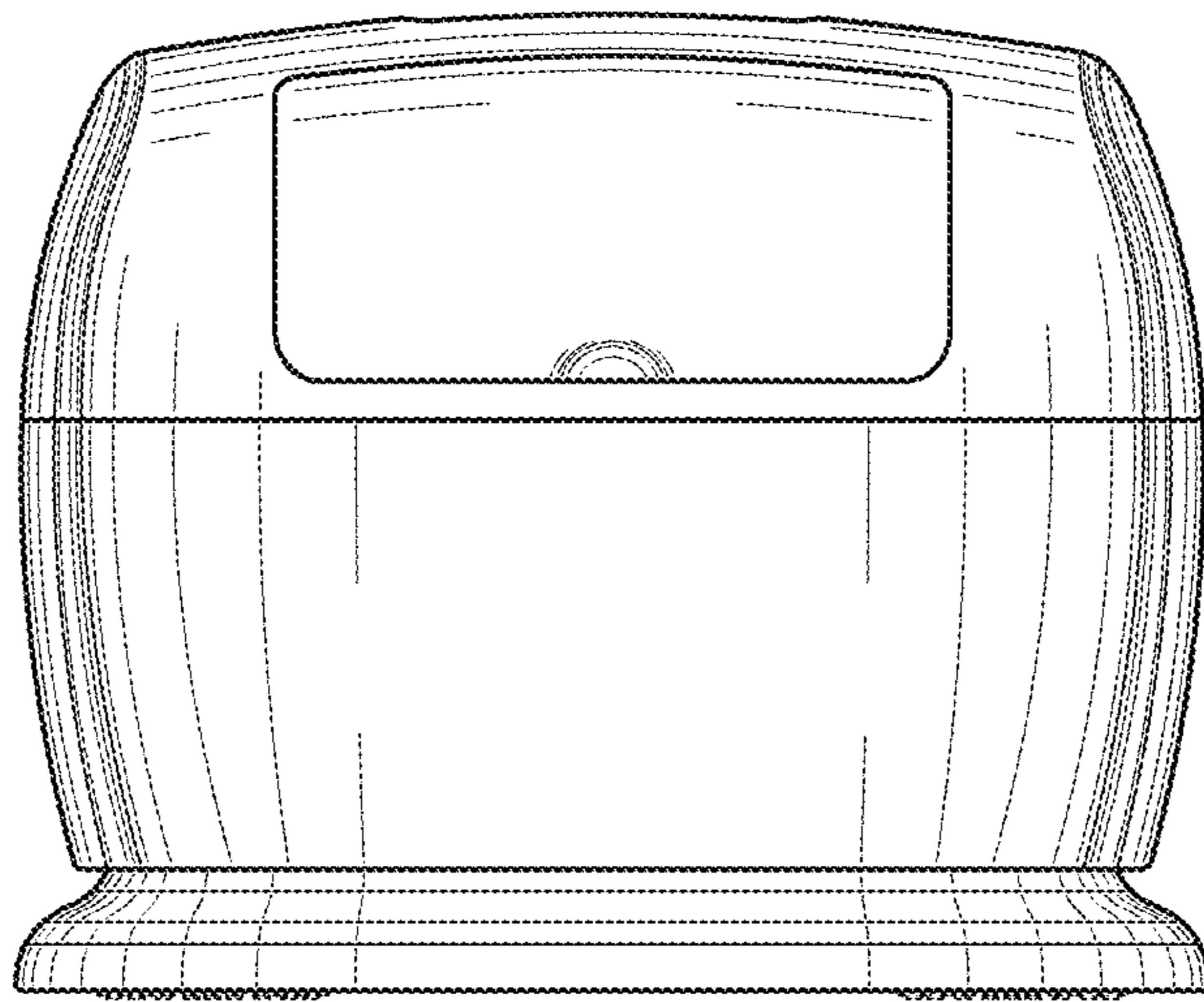


Fig. 3

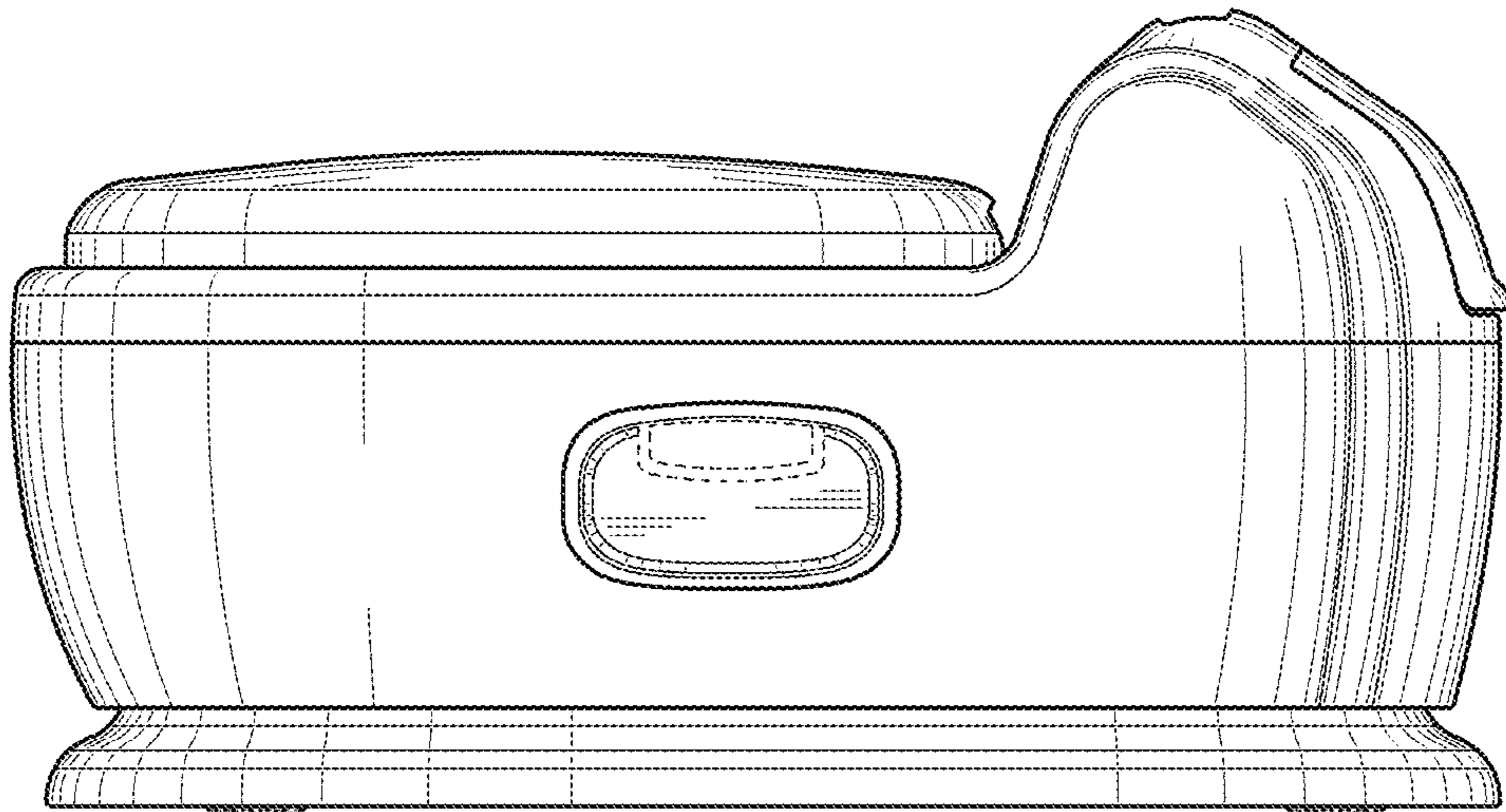


Fig. 4

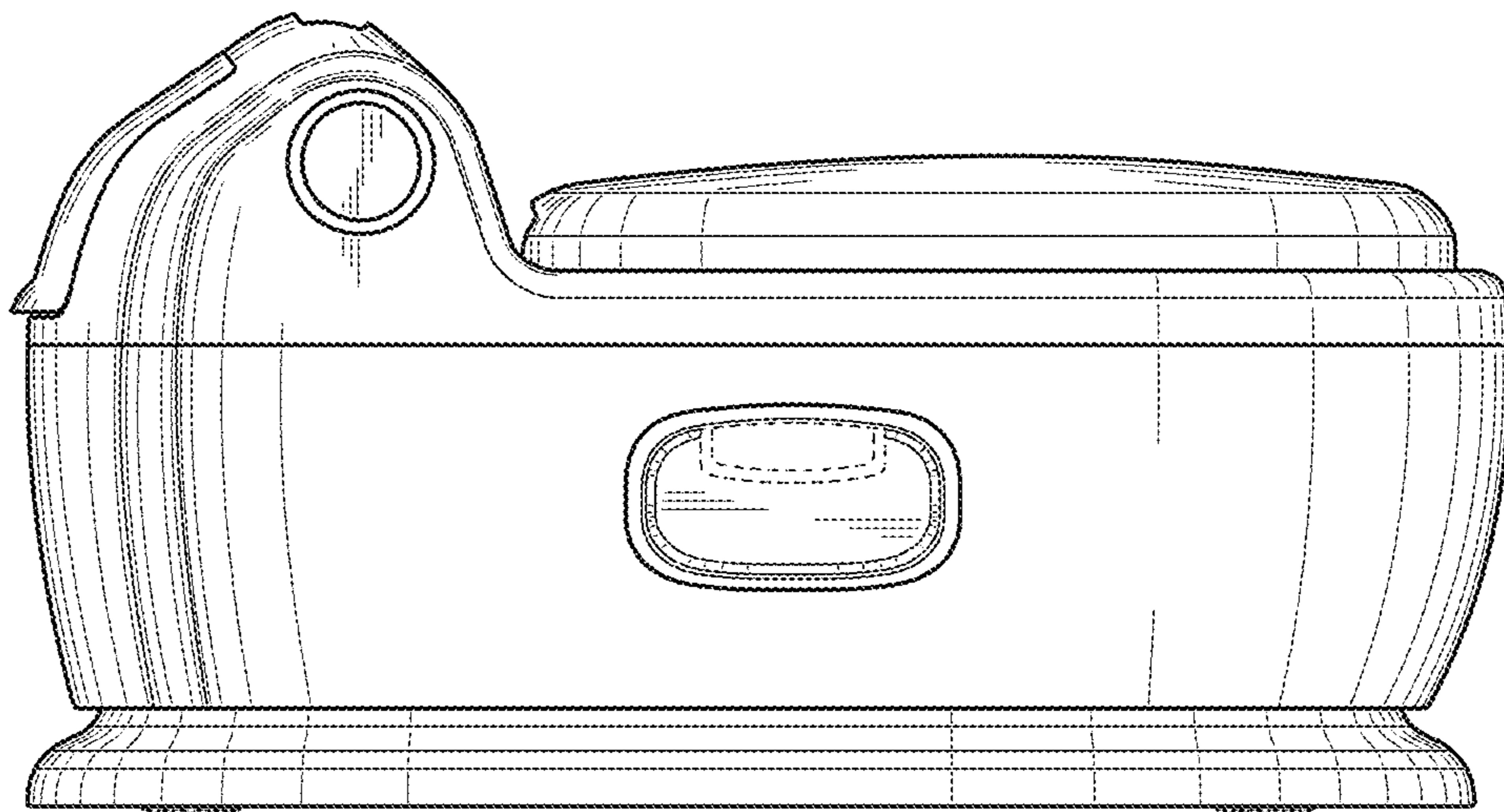


Fig. 5

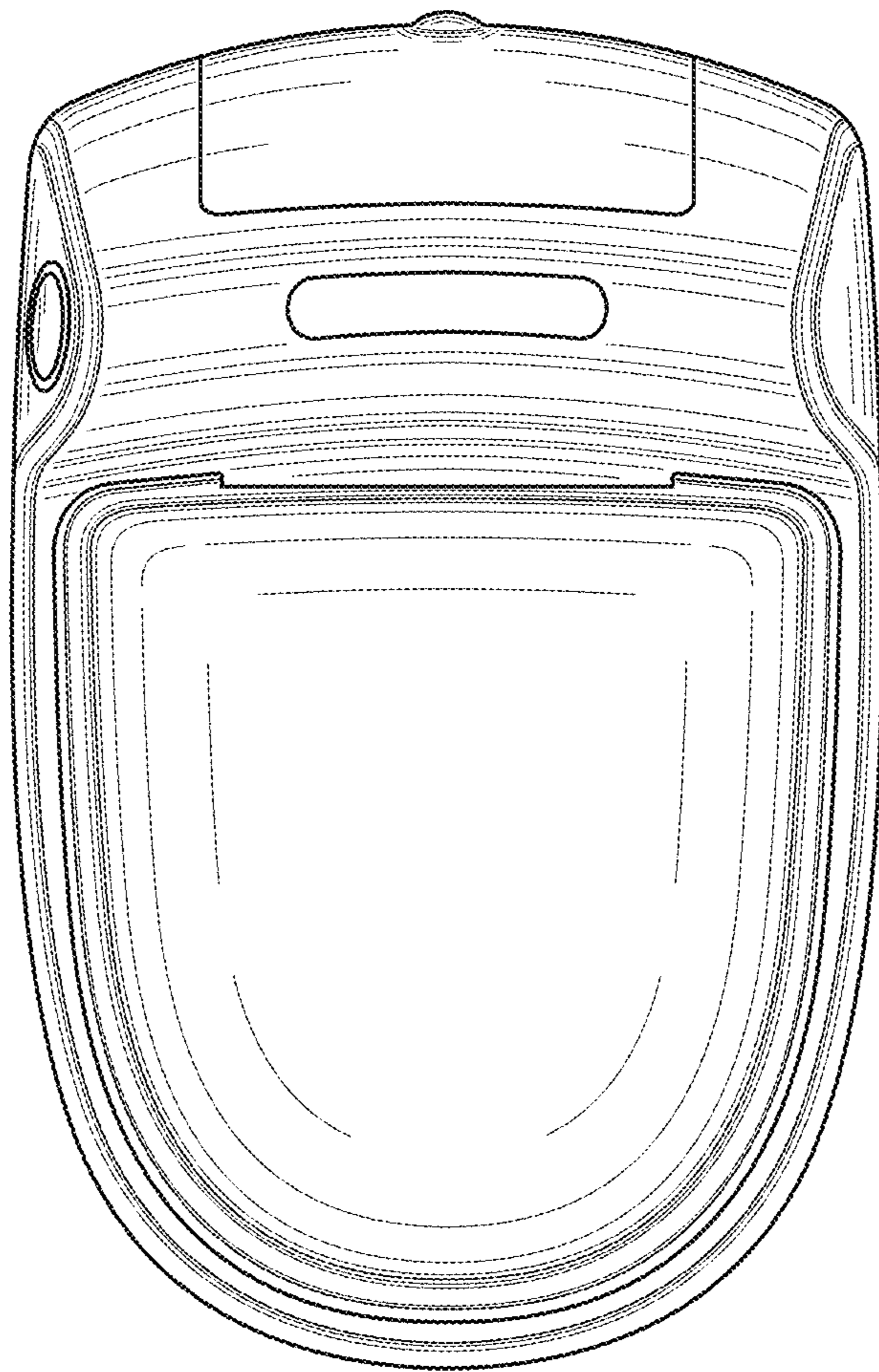


Fig. 6

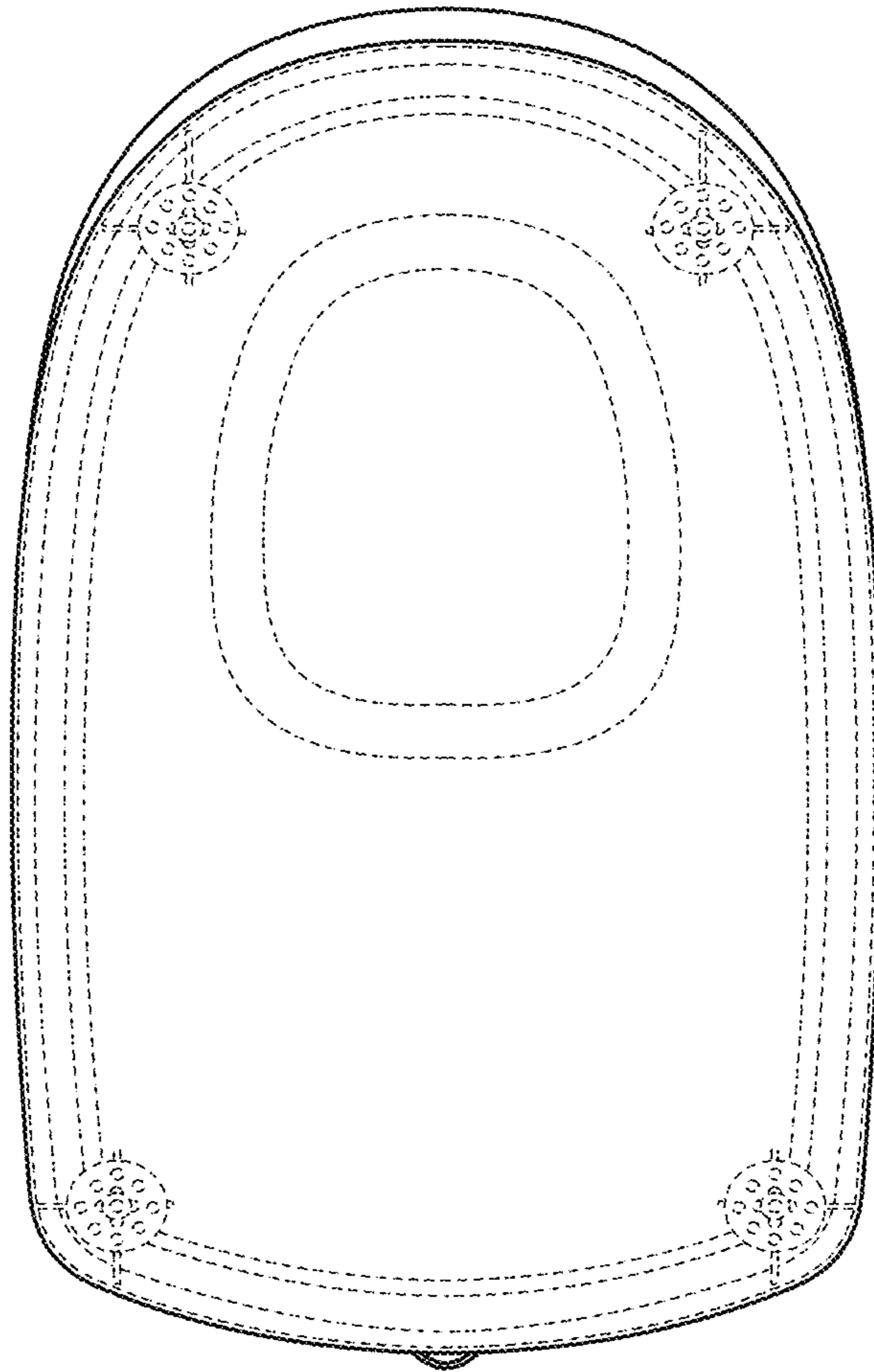


Fig. 7

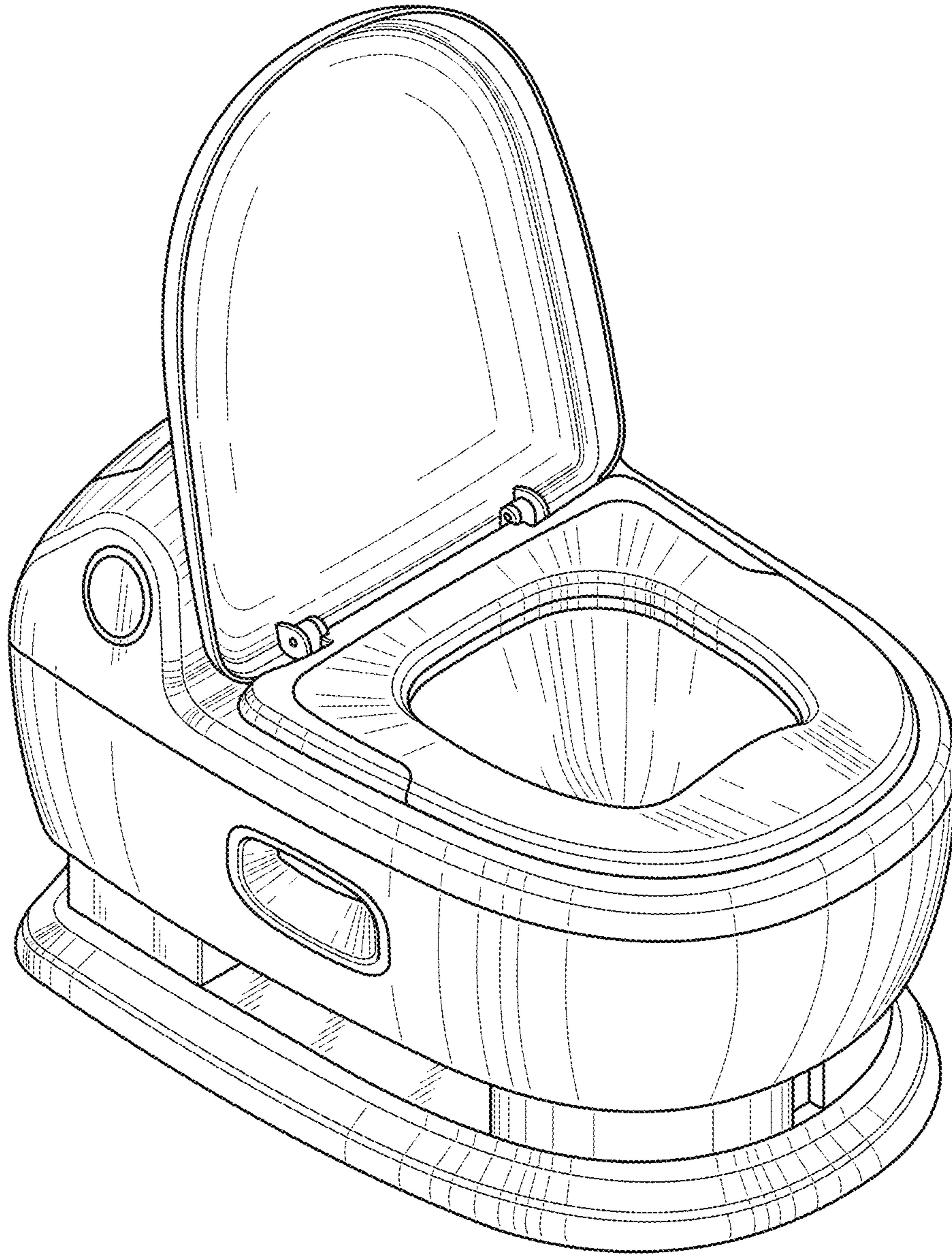


Fig. 8