



US00D989245S

(12) **United States Design Patent**
L’Henaff et al.

(10) **Patent No.:** **US D989,245 S**

(45) **Date of Patent:** **** Jun. 13, 2023**

(54) **SINK**

(71) Applicant: **AS America, Inc.**, Piscataway, NJ (US)

(72) Inventors: **Jean-Jacques L’Henaff**, New Canaan, CT (US); **Ki Bok Song**, Plainview, NY (US); **Jacob Nitz**, London (GB); **Alison J. Lyons**, Jersey City, NJ (US); **Paul Flowers**, London (GB); **Greg Reinecker**, Brooklyn, NY (US)

(73) Assignee: **AS America, Inc.**, Piscataway, NJ (US)

(**) Term: **15 Years**

(21) Appl. No.: **29/799,656**

(22) Filed: **Jul. 15, 2021**

(51) **LOC (14) Cl.** **23-02**

(52) **U.S. Cl.**
USPC **D23/287; D23/290**

(58) **Field of Classification Search**
USPC D23/284, 286–287, 290–291, 293.1, 308,
D23/272–274
See application file for complete search history.

(56) **References Cited**

U.S. PATENT DOCUMENTS

D260,424 S * 8/1981 Kinsey D23/287
D517,668 S * 3/2006 Illert D23/290
D585,122 S * 1/2009 Ziemann D23/290

D585,123 S * 1/2009 Ziemann D23/290
D586,441 S * 2/2009 Ziemann D23/290
D587,353 S * 2/2009 Ziemann D23/290
D593,648 S * 6/2009 Ziemann D23/284
D603,484 S * 11/2009 Eilmus D23/290

* cited by examiner

Primary Examiner — Robert A Delehanty
(74) *Attorney, Agent, or Firm* — Tyler A. Stevenson;
Anna-lisa L. Gallo

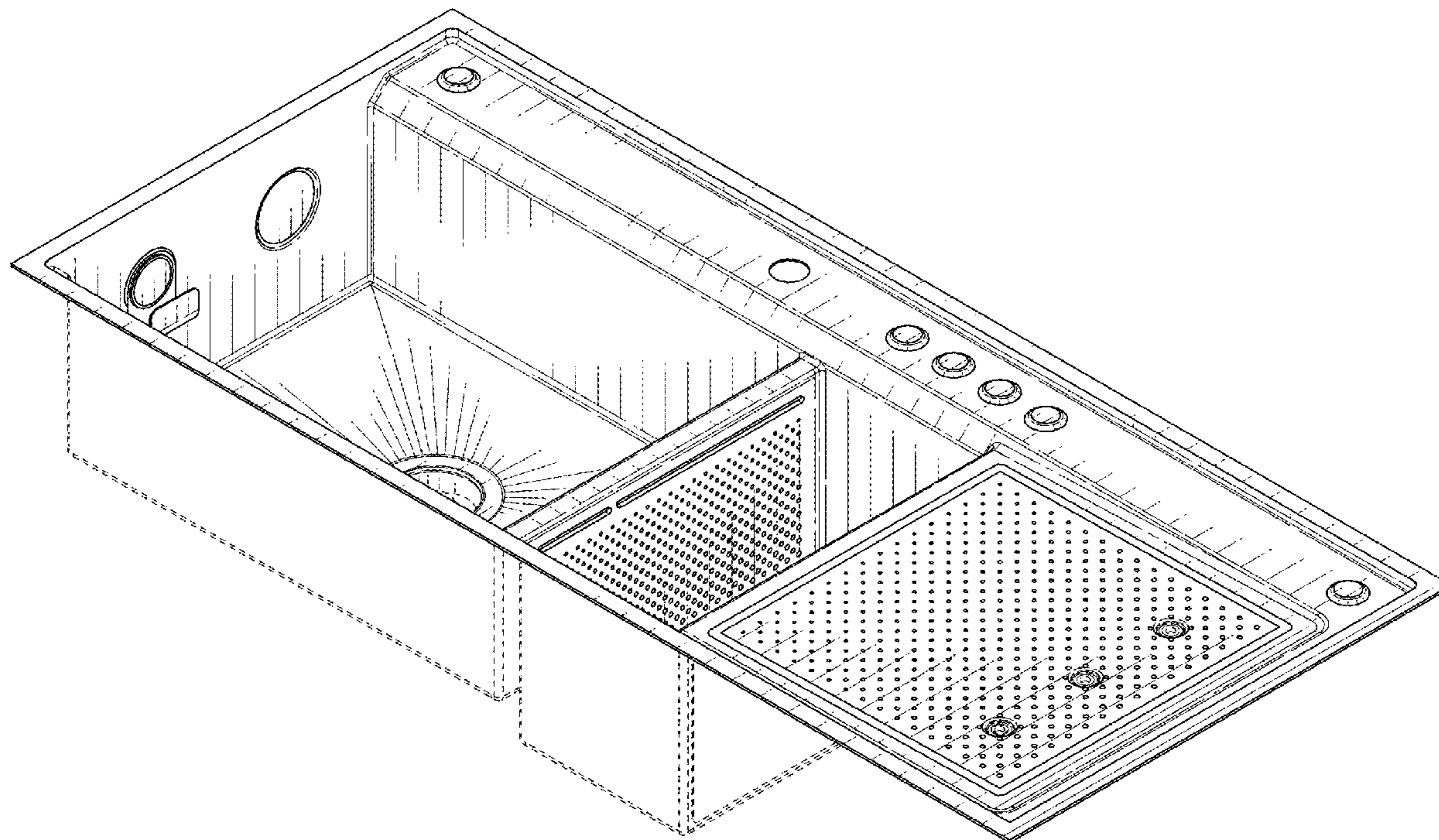
(57) **CLAIM**

We claim the ornamental design for a sink, as shown and described.

DESCRIPTION

FIG. 1 is a top, front, right side, perspective view of a sink showing our new design;
FIG. 2 is a top, front, left side, perspective view thereof;
FIG. 3 is a front view thereof;
FIG. 4 is a left side view thereof;
FIG. 5 is a right side view thereof;
FIG. 6 is a top view thereof;
FIG. 7 is a bottom view thereof;
FIG. 8 is a top, front, right side, perspective view thereof;
FIG. 9 is a top, front, left side, perspective view thereof;
FIG. 10 is a front view thereof;
FIG. 11 is a left side view thereof;
FIG. 12 is a right side view thereof;
FIG. 13 is a top view thereof; and,
FIG. 14 is a bottom view thereof.
Broken lines of the disclosure represent portions of sink that form no part of the claimed design.

1 Claim, 12 Drawing Sheets



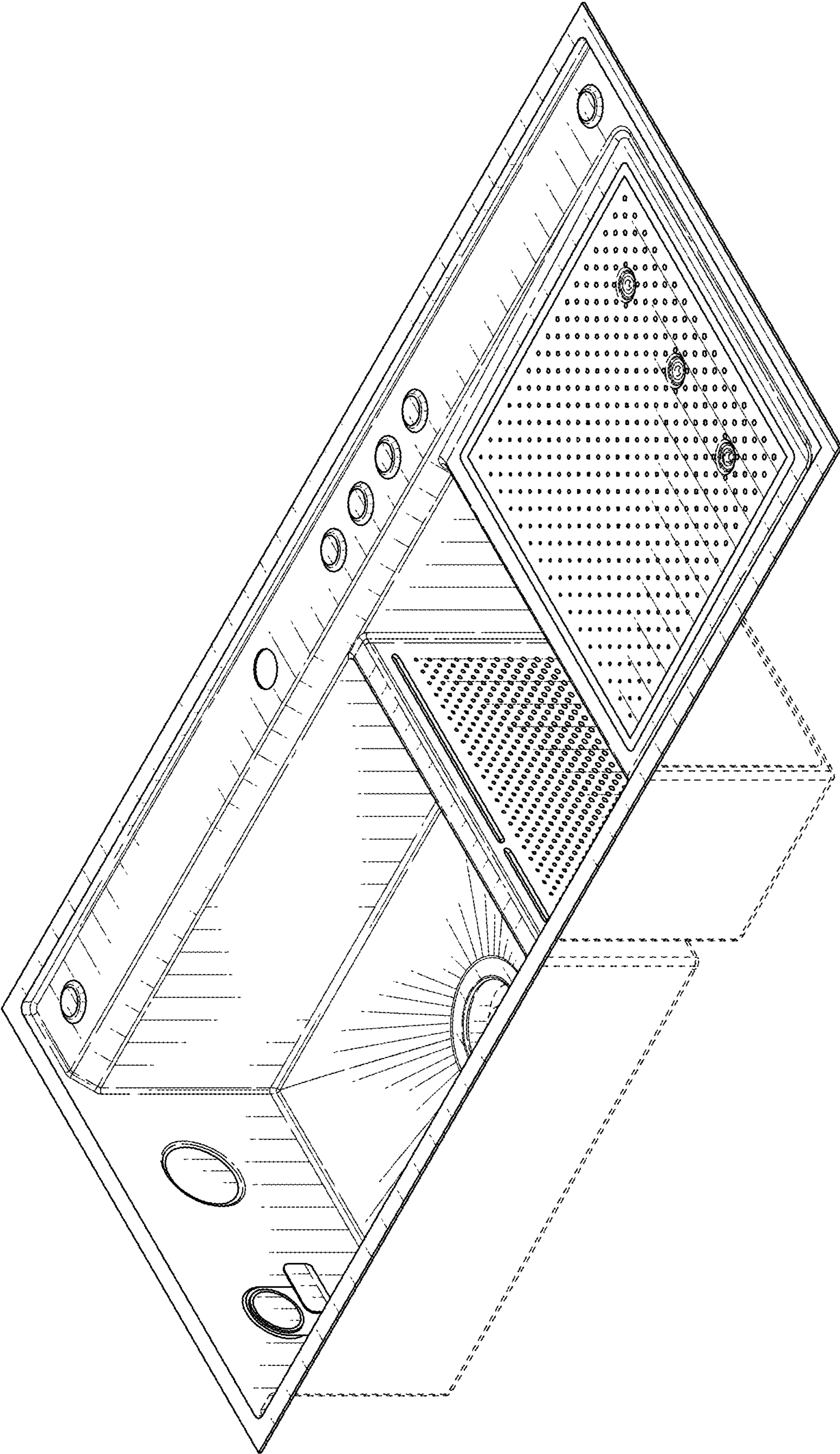


FIG. 1

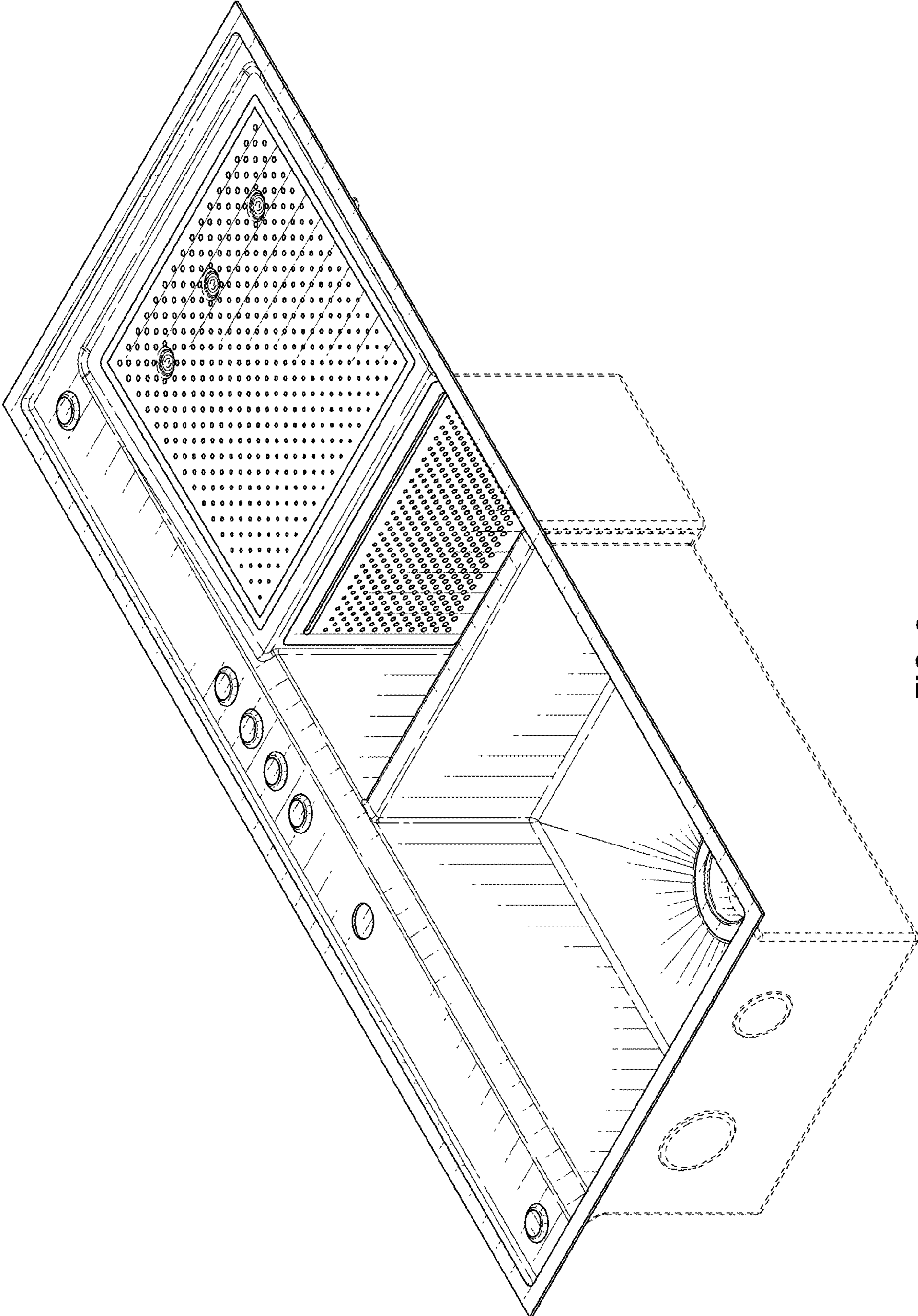


FIG. 2

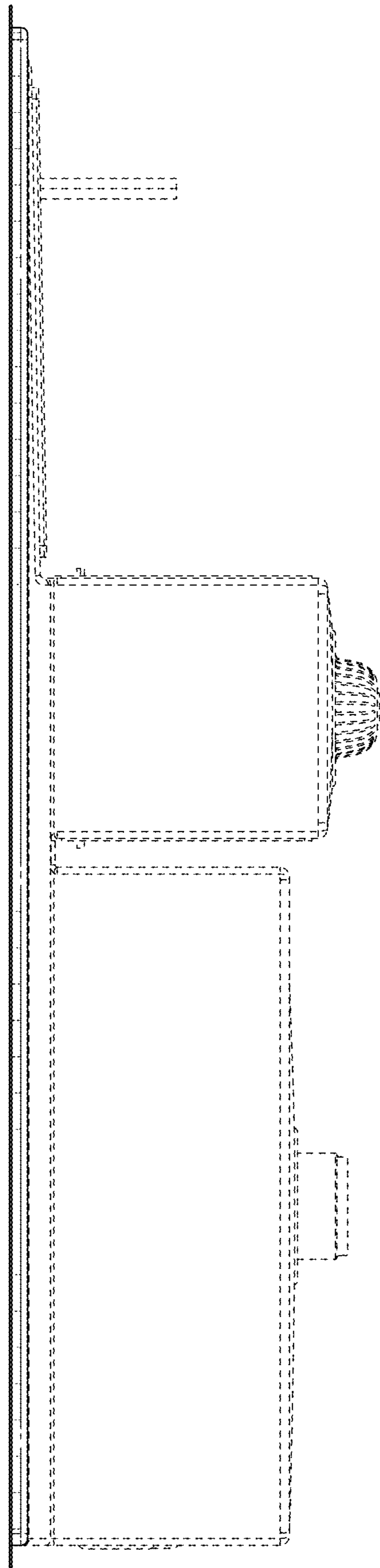


FIG. 3

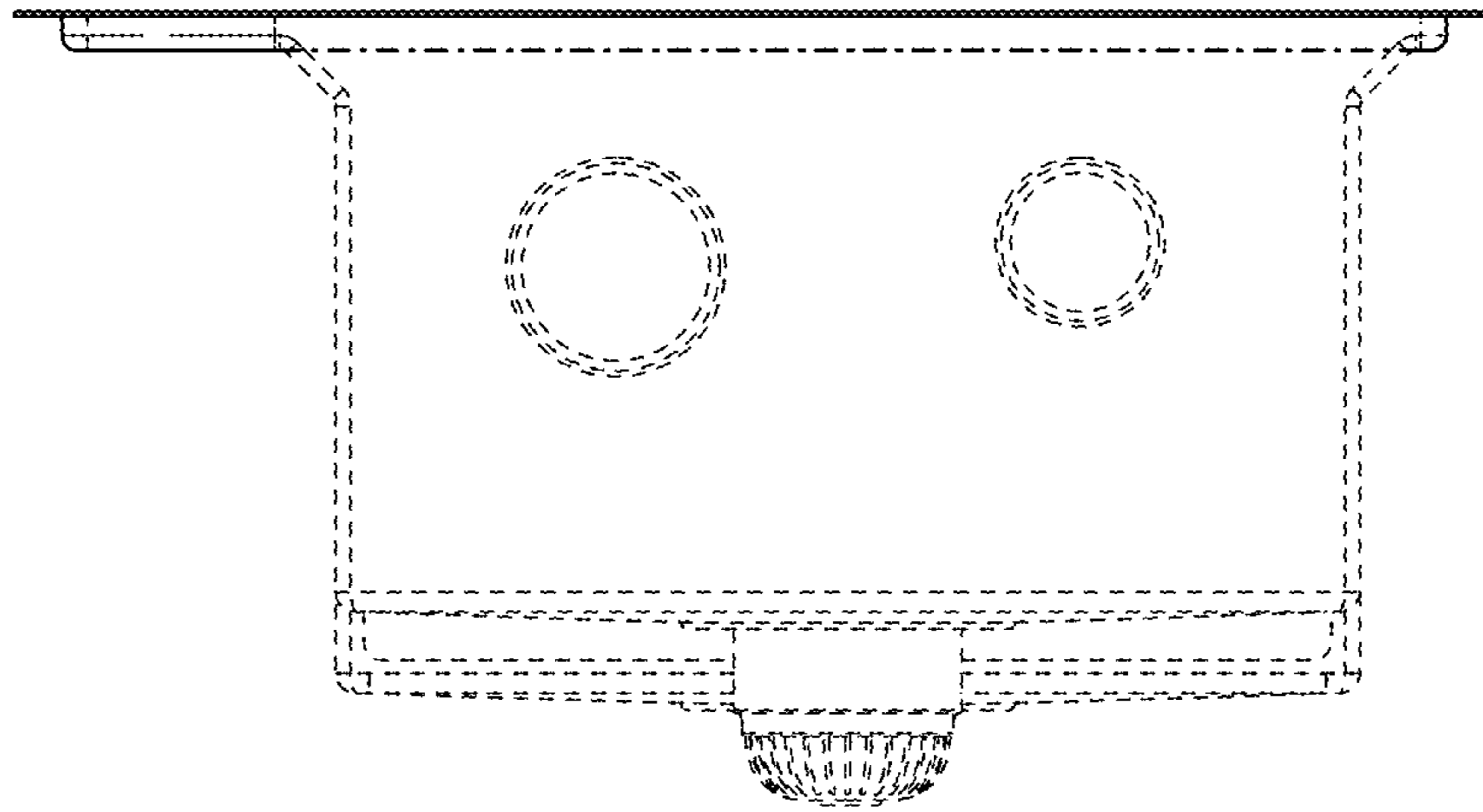


FIG. 4

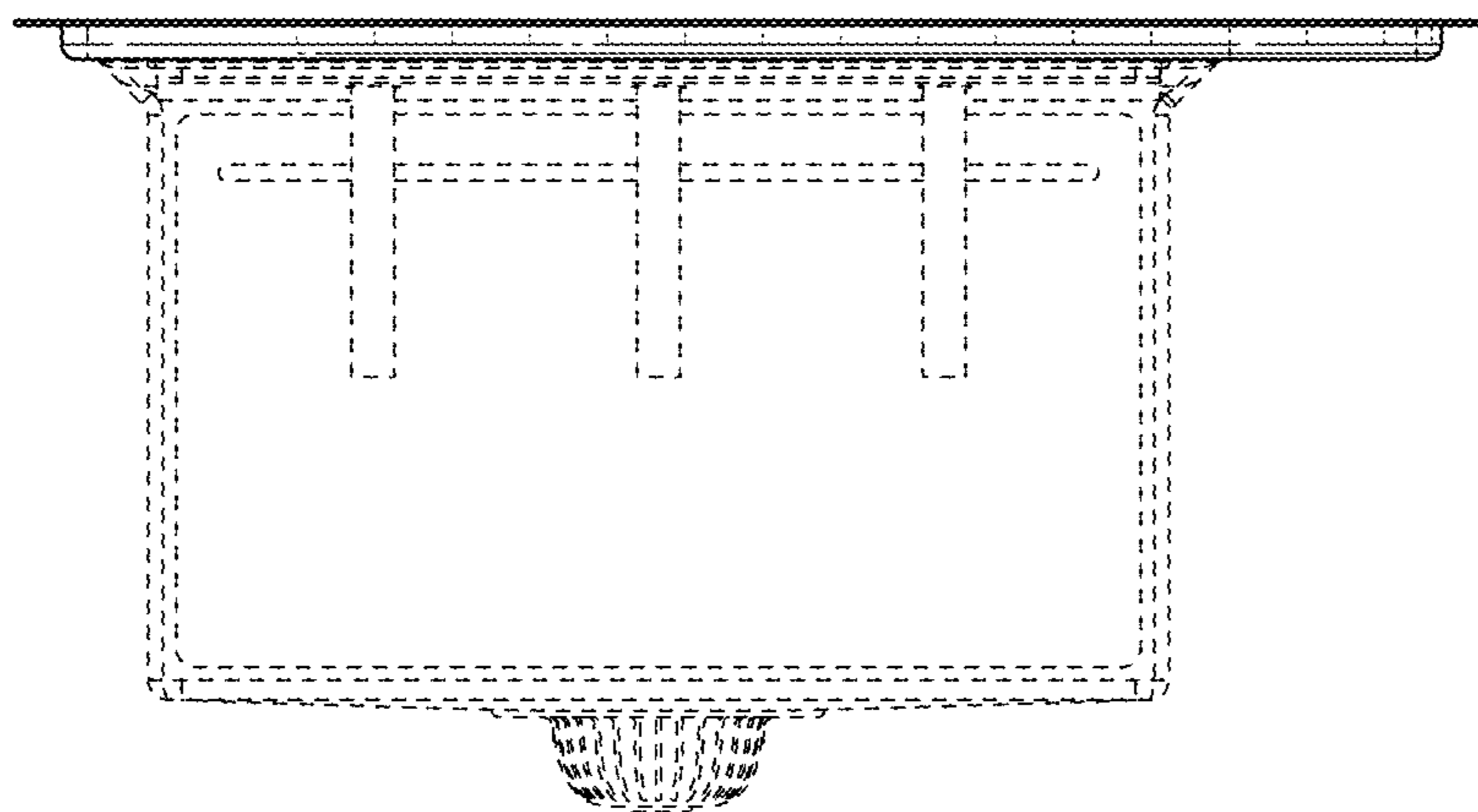


FIG. 5

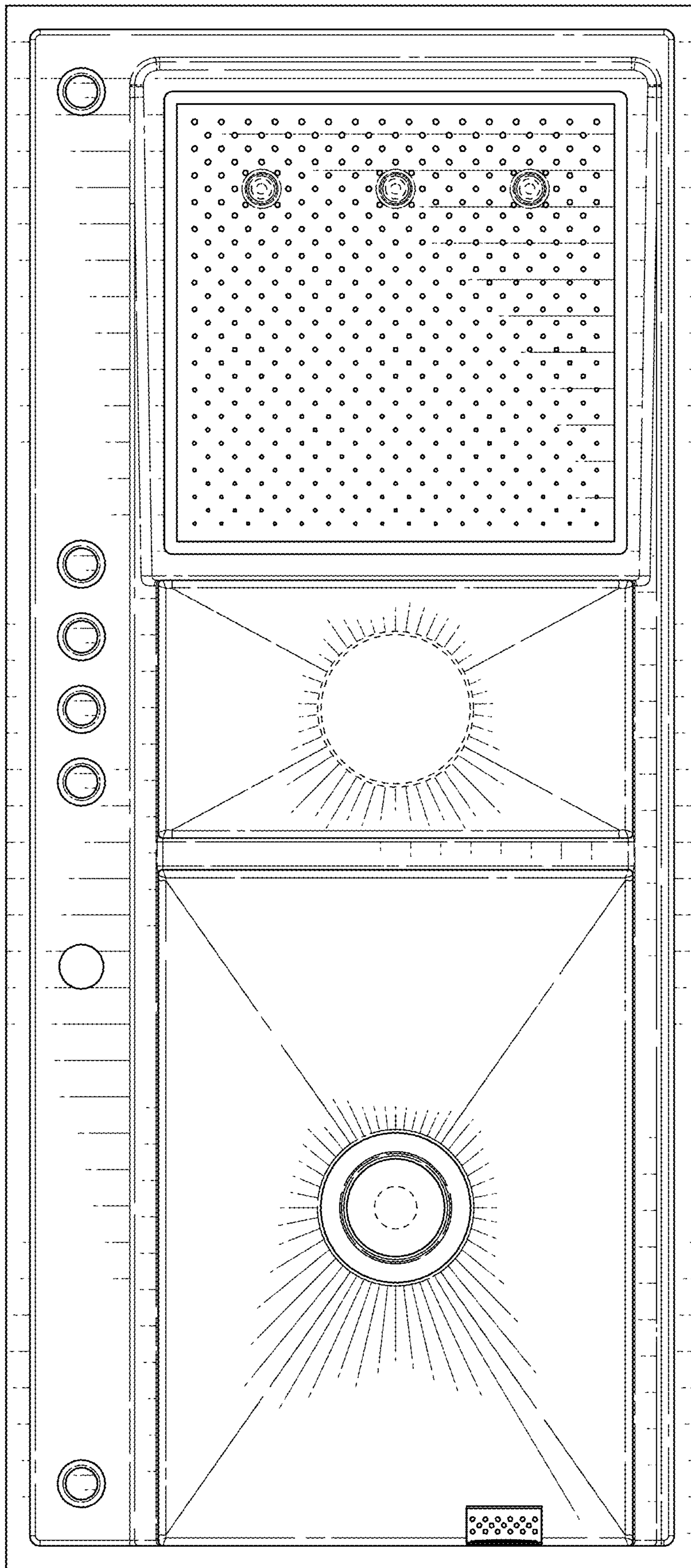


FIG. 6

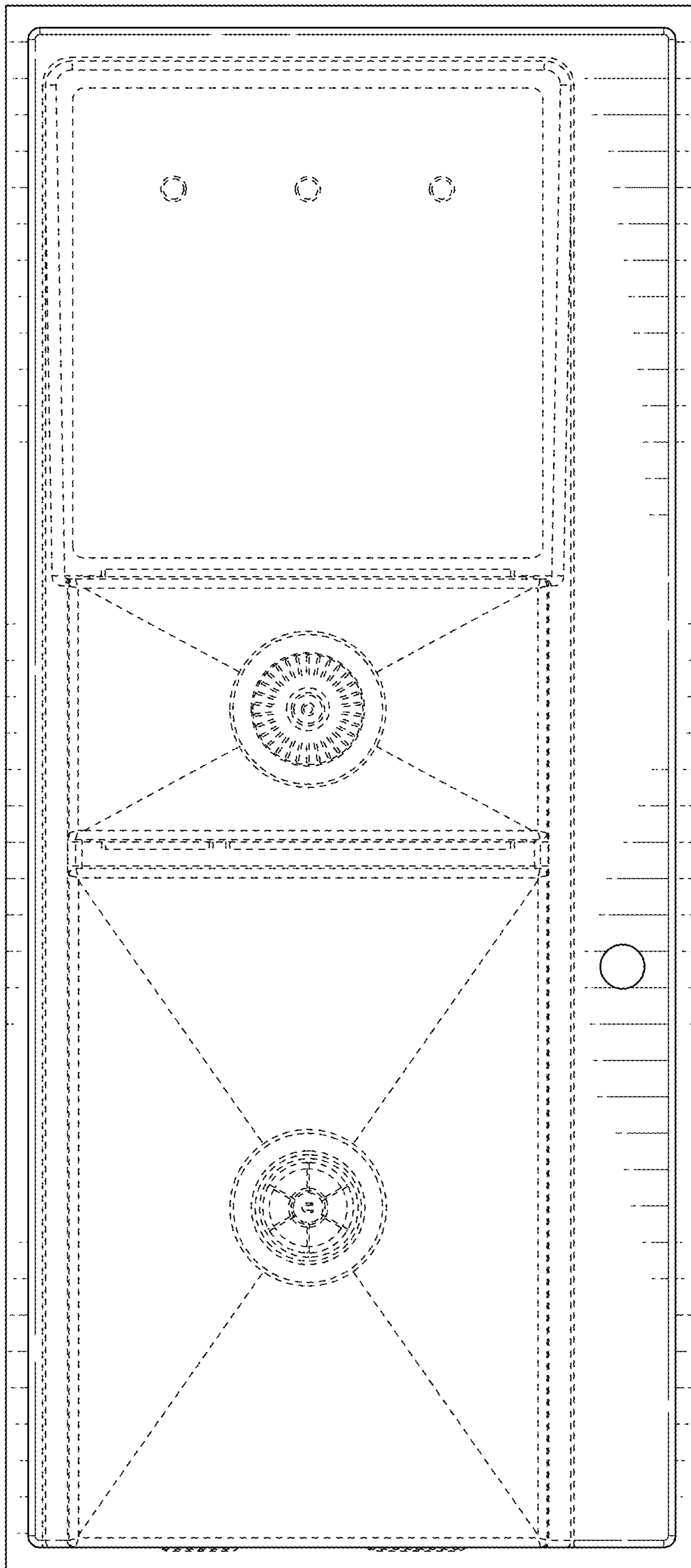


FIG. 7

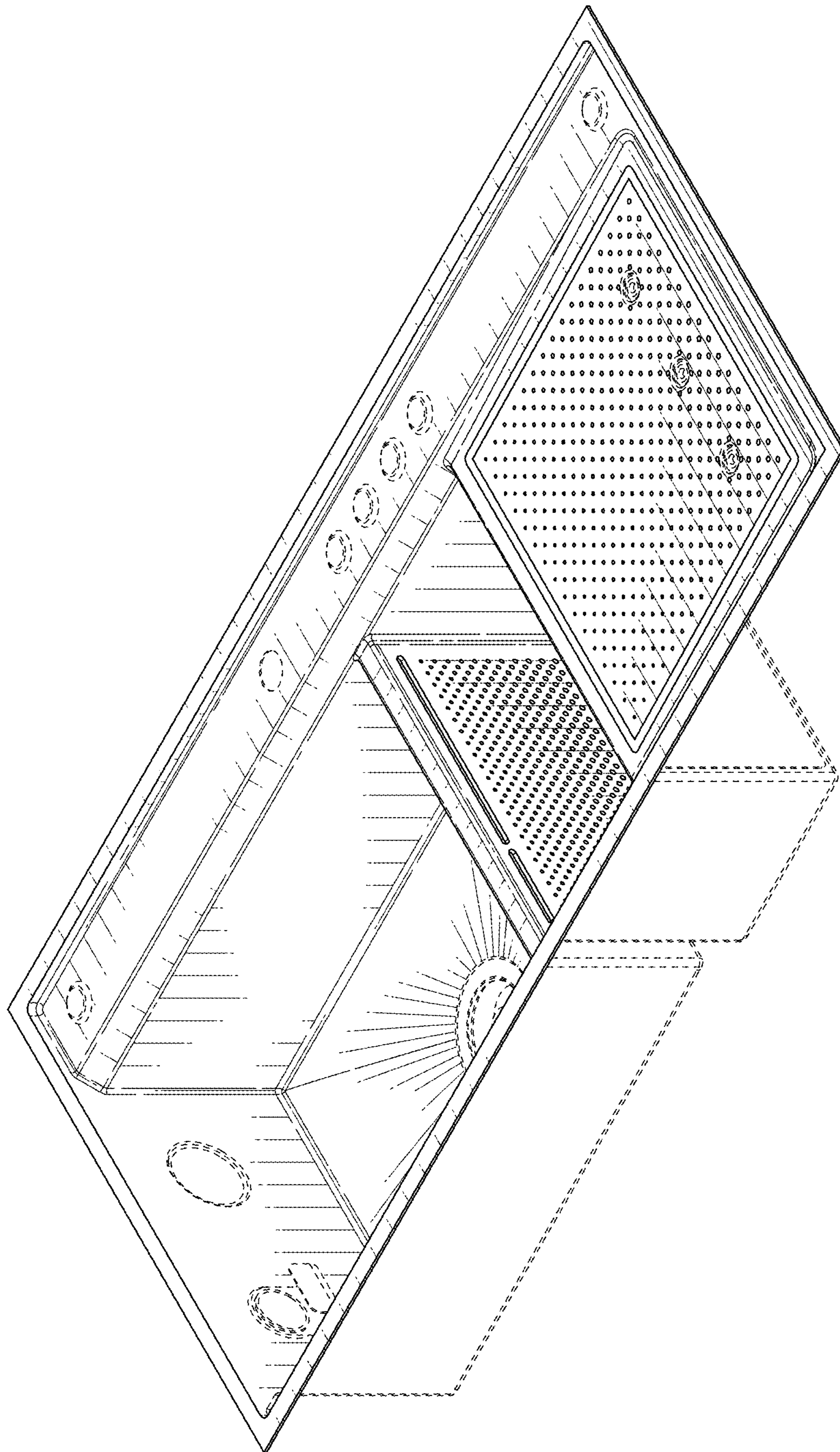


FIG. 8

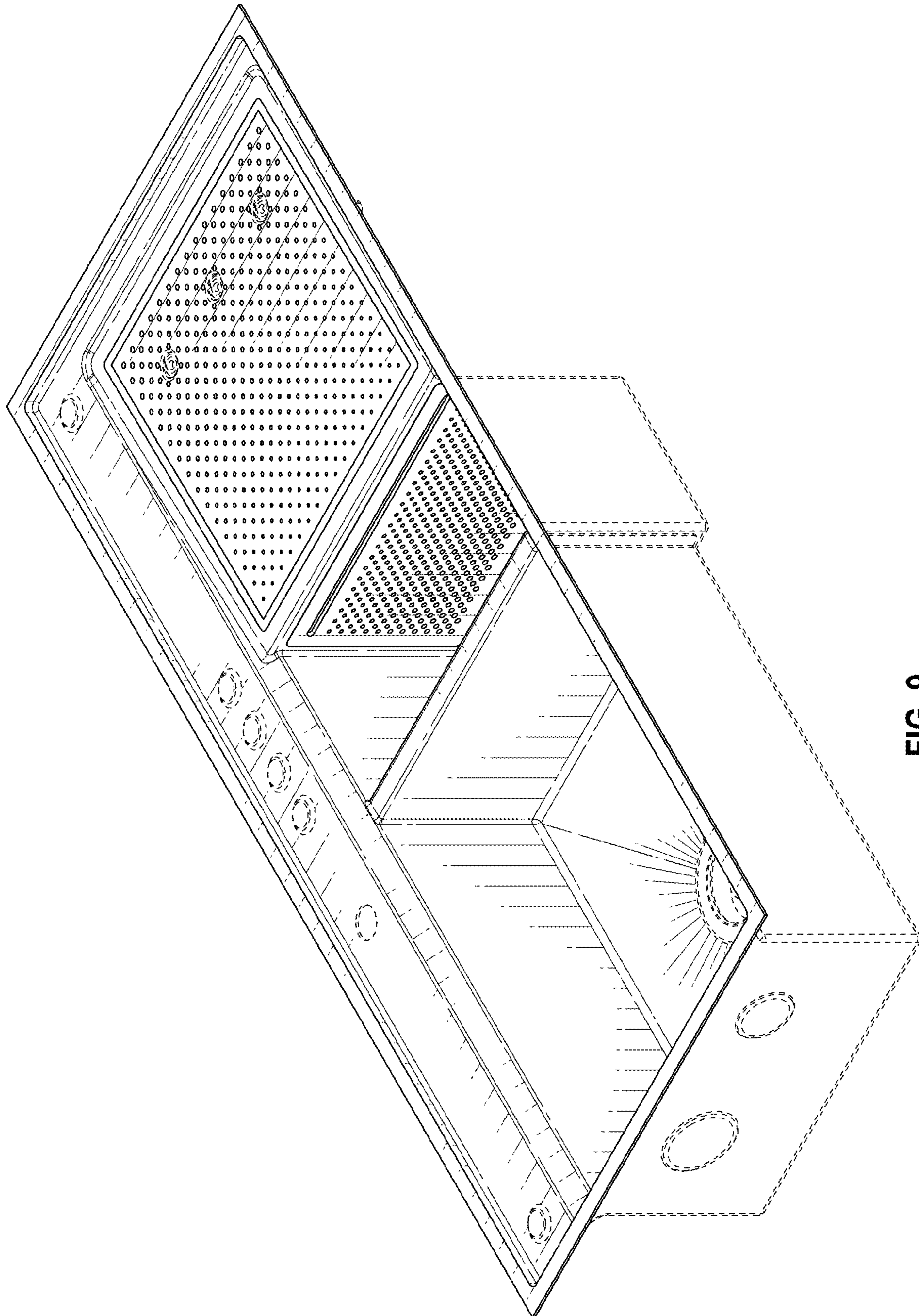


FIG. 9

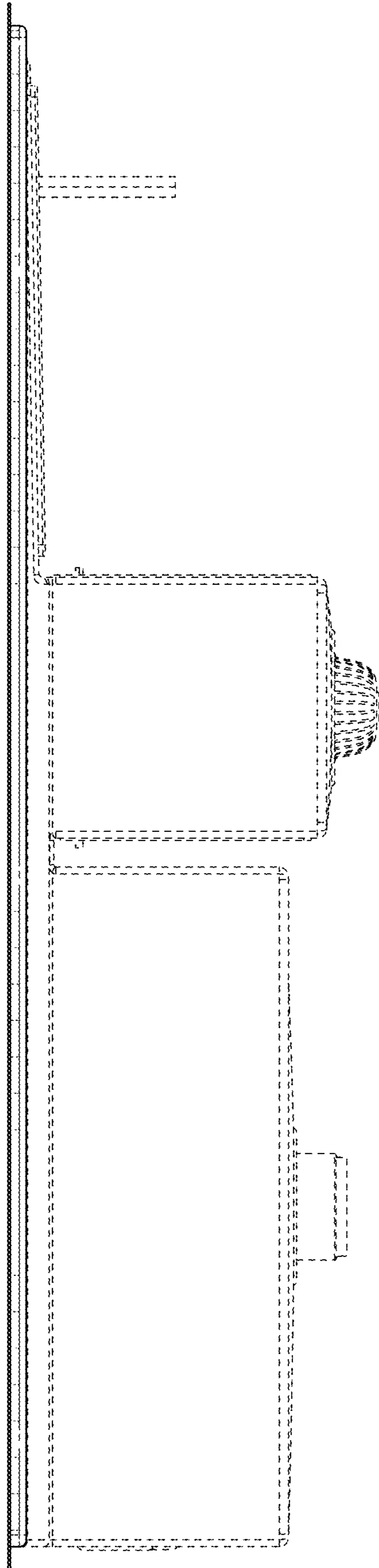


FIG. 10

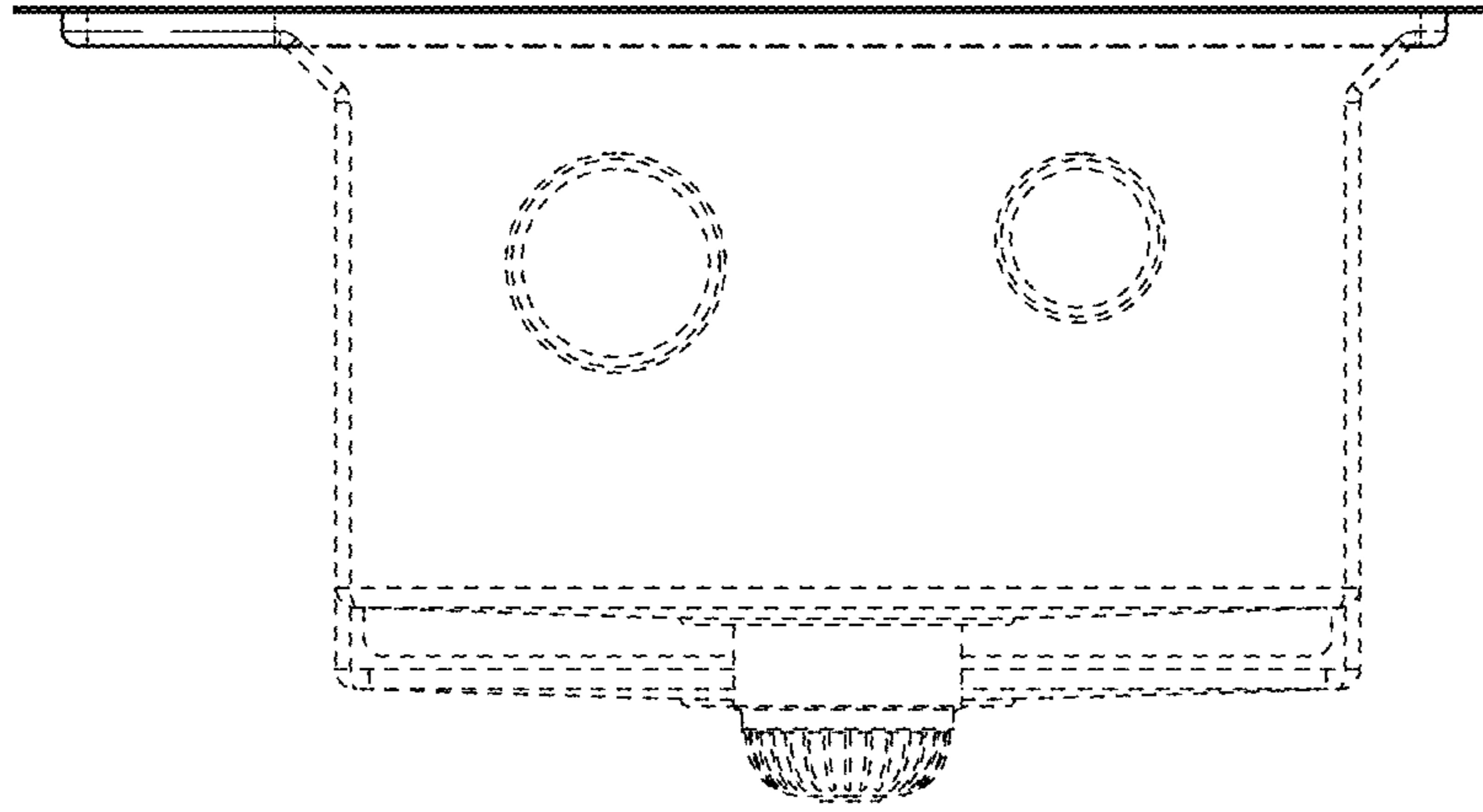


FIG. 11

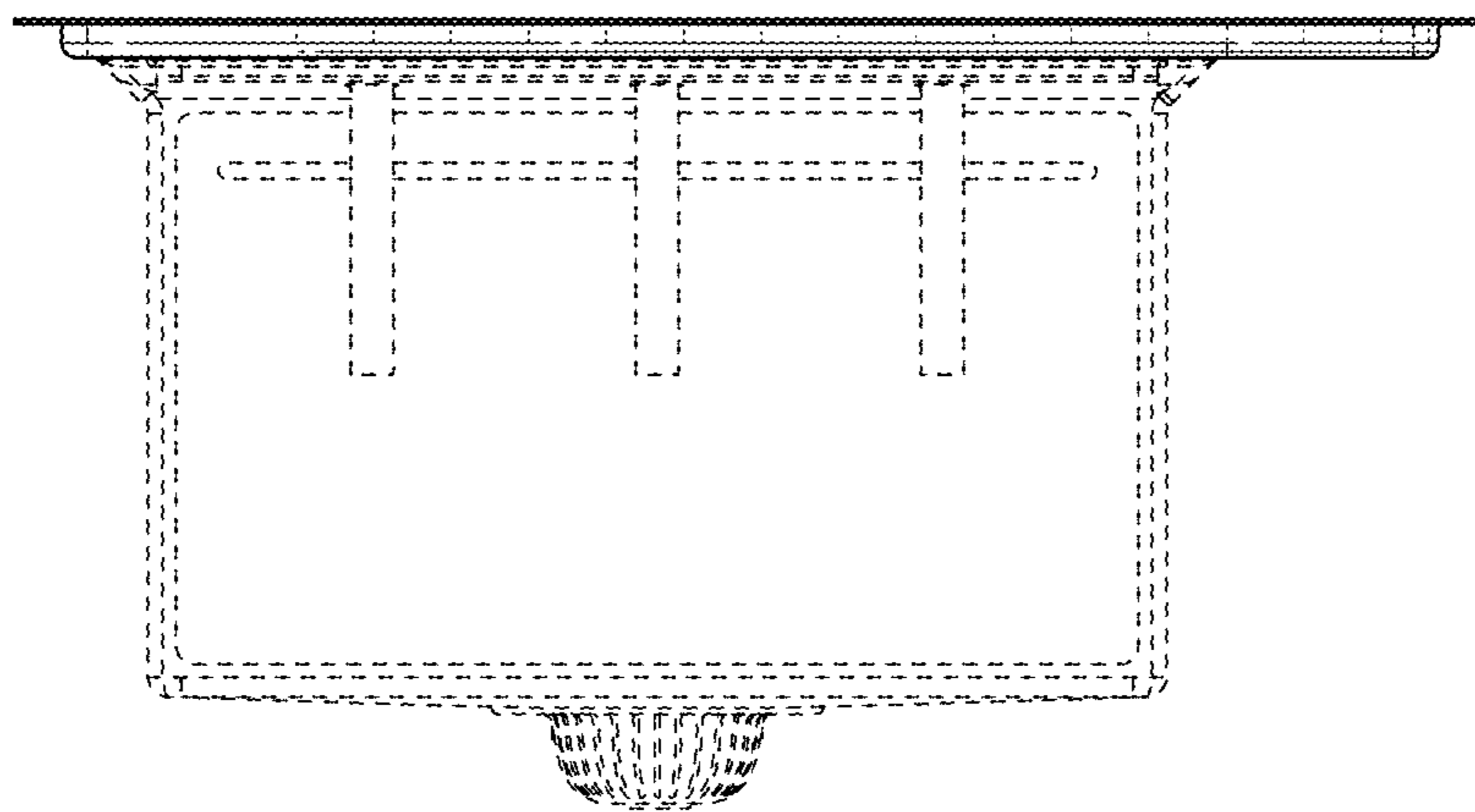


FIG. 12

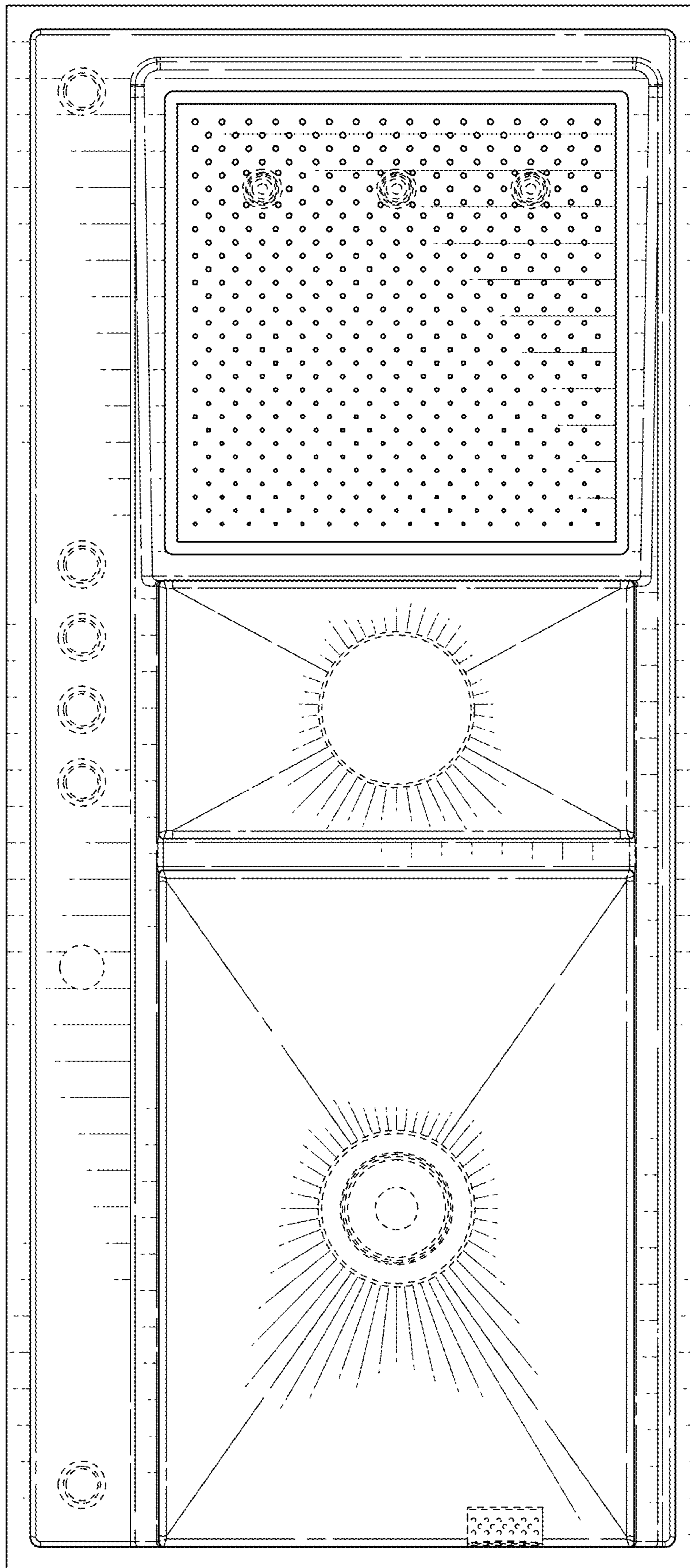


FIG. 13

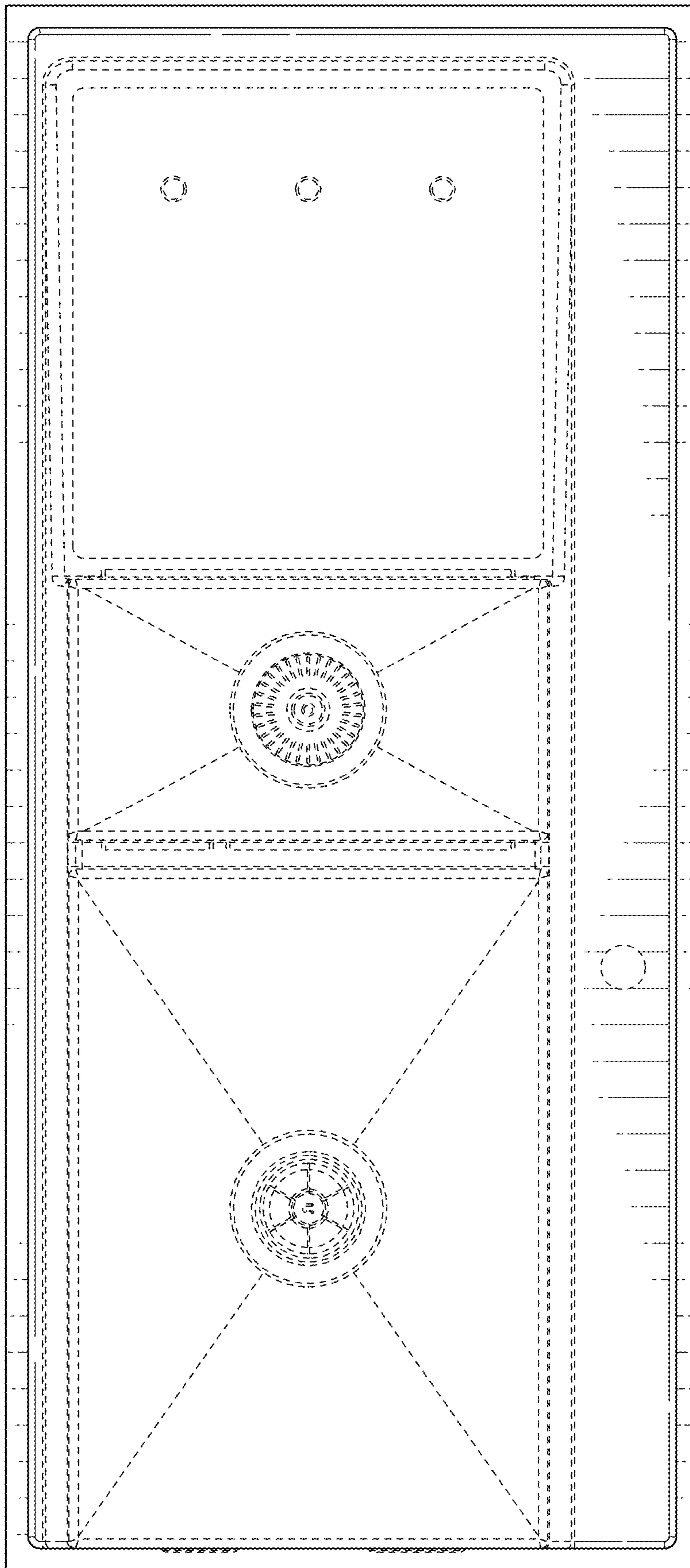


FIG. 14