



US00D989244S

(12) **United States Design Patent**
Visconti et al.

(10) **Patent No.:** **US D989,244 S**
(45) **Date of Patent:** **** Jun. 13, 2023**

(54) **JOINT FOR PIPES**

(71) Applicant: **NGI A/S**, Nørresundby (DK)

(72) Inventors: **Enrico Visconti**, Reinach (CH); **Rune Østergaard Sayk**, Nørresundby (DK)

(**) Term: **15 Years**

(21) Appl. No.: **35/513,807**

(22) Filed: **Dec. 23, 2021**

(80) **Hague Agreement Data**

Int. Filing Date: **Dec. 23, 2021**

Int. Reg. No.: **DM/219319**

Int. Reg. Date: **Dec. 23, 2021**

Int. Reg. Pub. Date: **Mar. 11, 2022**

(51) **LOC (14) Cl.** **23-01**

(52) **U.S. Cl.**
USPC **D23/262**; D23/259

(58) **Field of Classification Search**
USPC D23/234, 235, 249, 259, 262, 264–265;
D8/382, 387, 397, 399

CPC F16L 15/00; F16L 15/003; F16L 15/004;
F16L 15/005; F16L 15/002; F16L 15/001;
F16L 15/006; F16L 15/008; F16L 15/007;
F16L 15/009; F16L 15/06; F16L 15/02;
F16L 15/08; F16L 19/00; F16L 19/005;
F16L 37/05; F16L 37/60; F16L 47/04;
F16L 47/16; F16L 2201/10; F16L 5/10;
F16L 21/08; F16L 5/02; F16L 21/00;
F16L 21/022; F16L 23/18; F16L 21/03;
F16L 21/05; F16L 29/007; F16L 37/0841;
F16L 55/24; F16L 11/12; F16L 13/141;
F16L 19/02; F16L 21/065; F16L 23/00;
F16L 23/22; F16L 37/08; F16L 37/0845;
F16L 59/18; F16L 23/003; F16L 23/08;
F16L 35/00; F16L 37/35; F16L 37/62;
F16L 41/02; F16L 55/00; F16L 57/005;
F16L 59/182; F16L 11/127; F16L 11/15;
F16L 17/035; F16L 19/04; F16L 19/10;
F16L 19/103; F16L 21/002; F16L 21/007;
F16L 21/035; F16L 21/06; F16L 2201/30;
F16L 25/0045; F16L 27/08; F16L 3/01;

F16L 3/04; F16L 3/223; F16L 3/243;
F16L 3/26; F16L 33/00; F16L 33/2073;
F16L 37/025; F16L 37/091; F16L 37/098;
F16L 37/133; F16L 37/32; F16L 37/53;
F16L 41/03; F16L 41/14; F16L 43/008;
F16L 47/08; F16L 47/265; F16L 47/32;
F16L 5/08; F16L 55/027; F16L 55/035;
F16L 55/055;

(Continued)

(56) **References Cited**

U.S. PATENT DOCUMENTS

D130,493 S * 11/1941 Nelson D23/262
D224,107 S * 7/1972 Mastis D23/263

(Continued)

FOREIGN PATENT DOCUMENTS

CN 307505939 * 8/2022
CN 307505940 * 8/2022

(Continued)

Primary Examiner — Amy C Wierenga

(74) *Attorney, Agent, or Firm* — Egbert, McDaniel & Swartz, PLLC

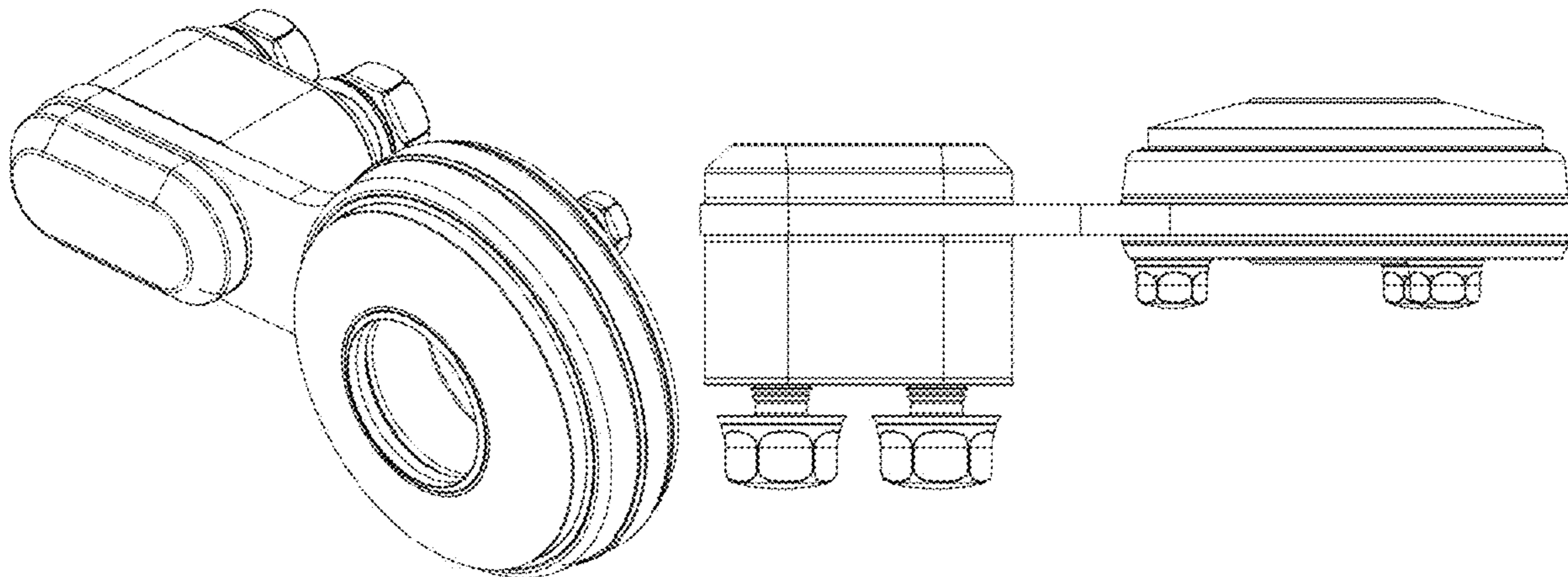
(57) **CLAIM**

The ornamental design for a joint for pipes, as shown and described.

DESCRIPTION

Reproduction 2.1 is a perspective view of a joint for pipes showing our new design;
Reproduction 2.2 is another perspective view thereof;
Reproduction 2.3 is a front view thereof;
Reproduction 2.4 is a rear view thereof;
Reproduction 2.5 is a bottom view thereof;
Reproduction 2.6 is a top view thereof;
Reproduction 2.7 is a left side view thereof; and
Reproduction 2.8 is a right side view thereof.

1 Claim, 8 Drawing Sheets



(58) **Field of Classification Search**

CPC F16L 55/1141; F16L 55/18; F16L 47/00;
 F16L 2201/40; F16L 58/184; F16L 49/06;
 F16L 25/04; F16B 23/0084; F16B 27/00;
 F16B 35/005; F16B 35/06; F16B 39/24;
 F16B 39/30; F16B 43/002; F16B 35/00;
 F16B 23/0007; F16B 23/0053; F16B
 23/0061

See application file for complete search history.

(56) **References Cited**

U.S. PATENT DOCUMENTS

D363,770 S * 10/1995 Junkers D23/262
 D368,300 S * 3/1996 Grenga D23/235
 D521,614 S * 5/2006 Kitagawa D23/262
 D568,149 S * 5/2008 Riedel D8/397
 D569,955 S * 5/2008 Chen D23/262
 D625,395 S * 10/2010 Guzzoni D23/262
 D632,372 S * 2/2011 Govoni D23/262
 D638,104 S * 5/2011 Govoni D23/262
 D645,547 S * 9/2011 Lombardi D23/262
 D669,558 S * 10/2012 Collin D23/262
 D724,703 S * 3/2015 Downs D23/262
 D726,530 S * 4/2015 Mayberry D8/387
 D726,531 S * 4/2015 Muzic D8/387
 D728,356 S * 5/2015 Kury D8/397
 D735,567 S * 8/2015 Kishida D8/387
 D743,510 S * 11/2015 Lombardi, III D23/262
 D760,363 S * 6/2016 Yang D23/262

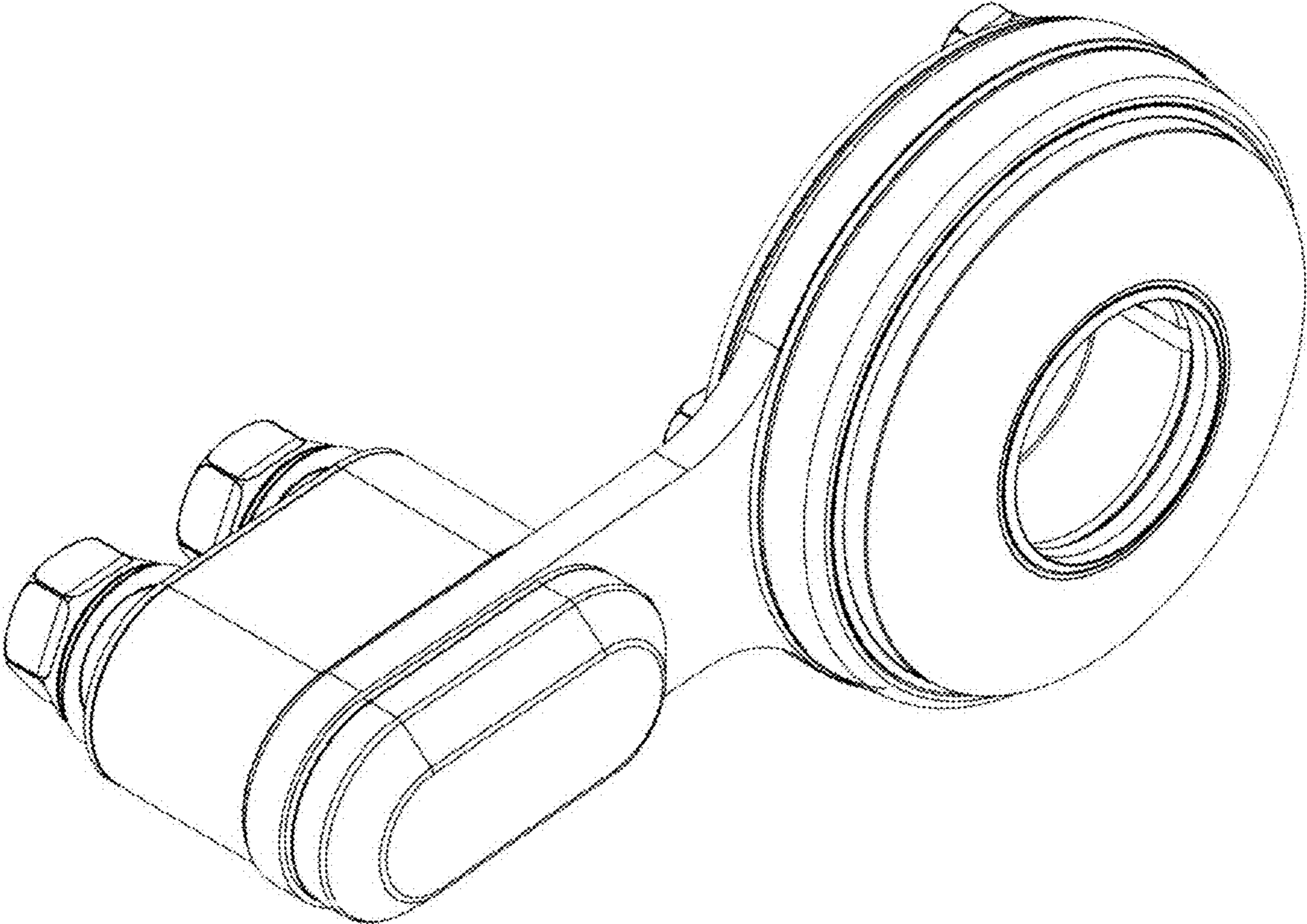
D761,395 S * 7/2016 Plackner D23/262
 D761,396 S * 7/2016 Roddy D23/262
 D762,826 S * 8/2016 Plackner D23/262
 D764,641 S * 8/2016 Papafagos D23/262
 D767,104 S * 9/2016 Salser D23/265
 D787,924 S * 5/2017 Baiz D8/387
 D796,281 S * 9/2017 Downie D8/21
 9,835,271 B2 * 12/2017 Olsen F16L 55/035
 D812,724 S * 3/2018 Adey B04C 5/14
 D834,687 S * 11/2018 Khubani D23/262
 D845,448 S * 4/2019 Tanghetti D23/262
 D891,475 S * 7/2020 Neal D8/387
 D898,167 S * 10/2020 Kury D23/262
 10,926,752 B2 * 2/2021 Papafagos B01D 39/12
 D924,373 S * 7/2021 Hamasaki D23/259
 2003/0077113 A1 * 4/2003 Fukuda F16B 23/00
 403/122
 2006/0051182 A1 * 3/2006 Jakuszeski F16B 39/282
 411/353
 2007/0274805 A1 * 11/2007 Nebl F16B 5/0266
 411/371.1
 2013/0343829 A1 * 12/2013 Benedetti F16B 39/284
 411/3
 2015/0184687 A1 * 7/2015 Weis B60B 3/16
 411/373

FOREIGN PATENT DOCUMENTS

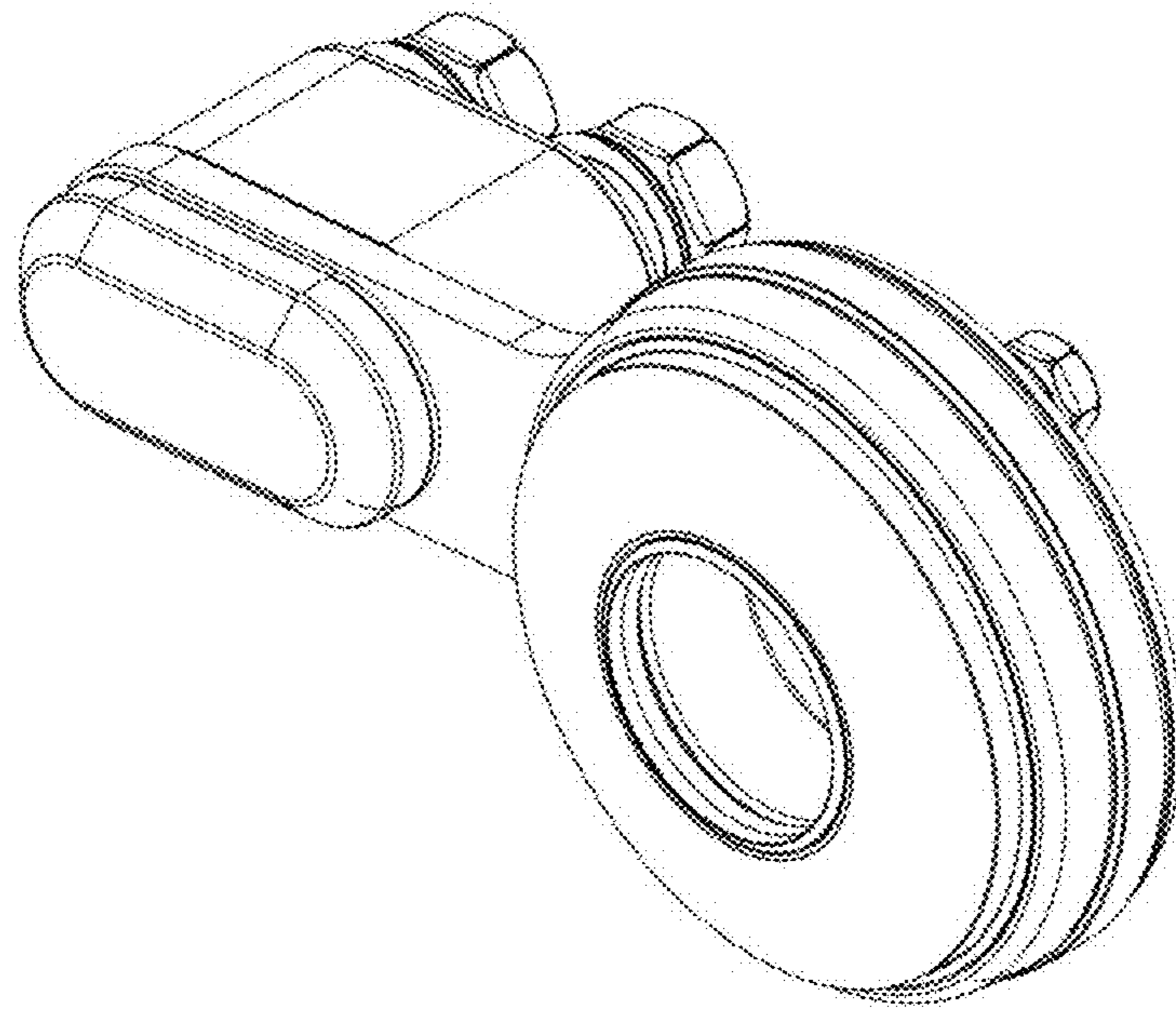
JP D1723121 * 8/2022
 WO WOD219319-002 * 3/2022

* cited by examiner

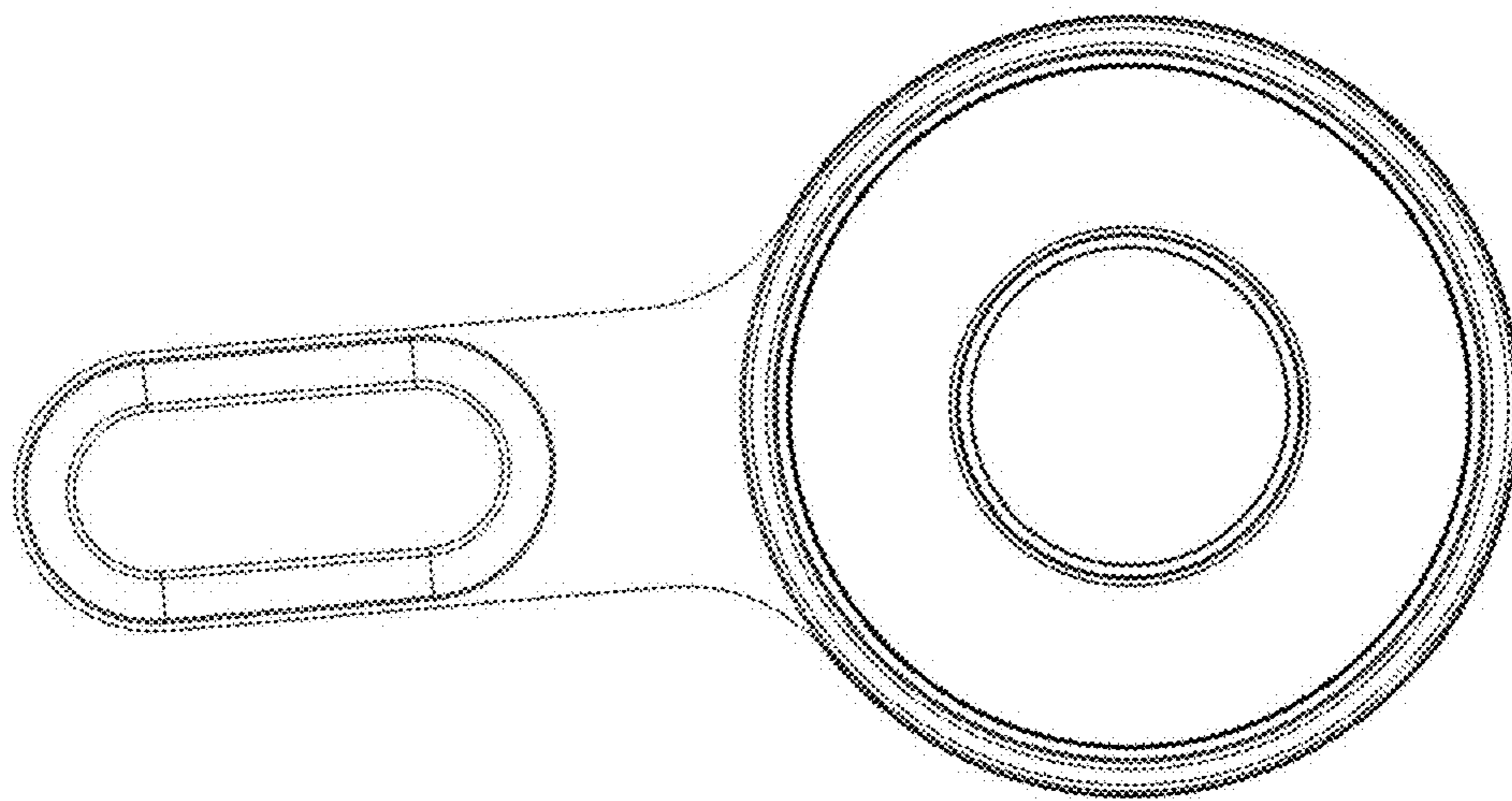
2.1



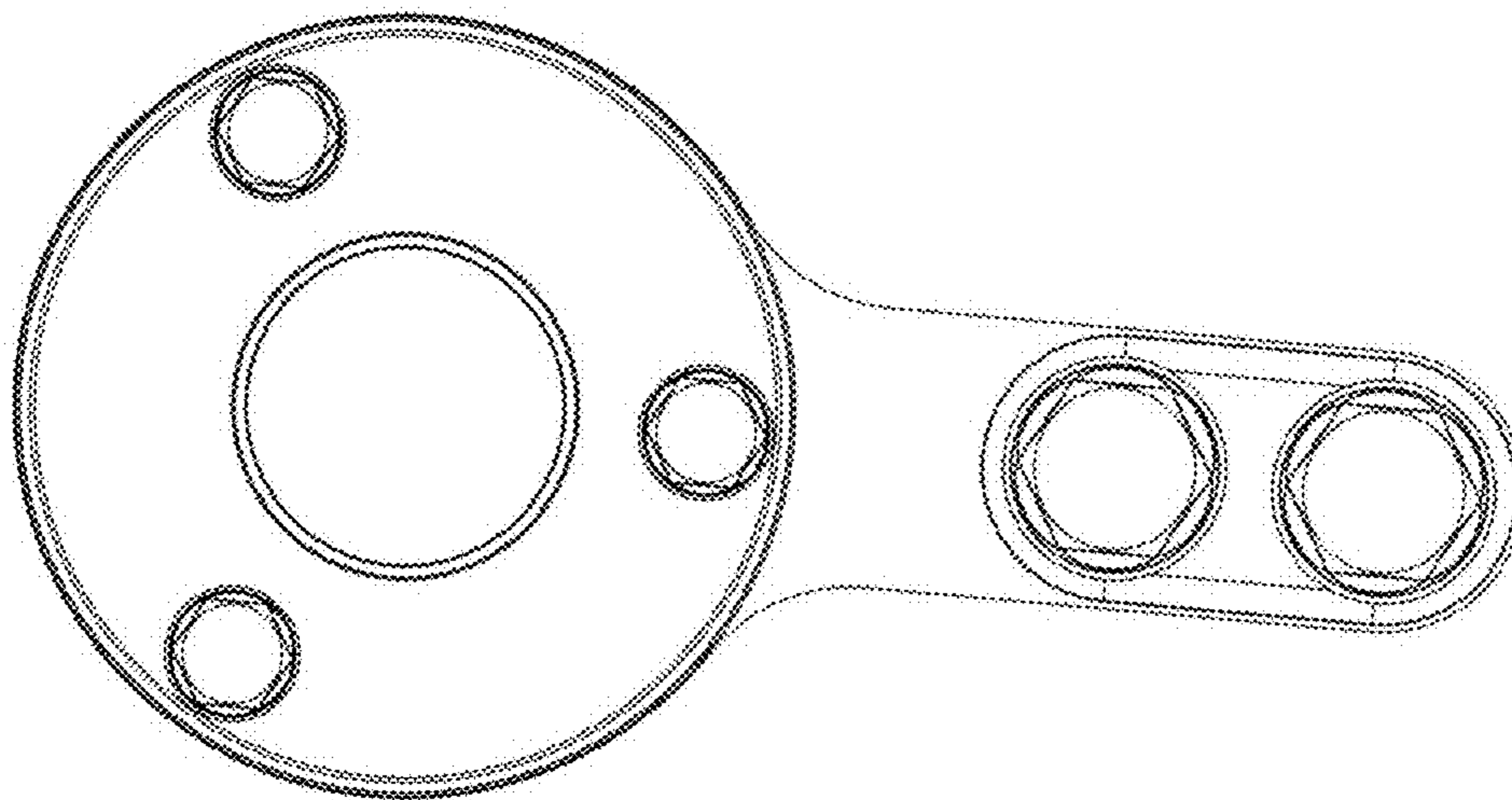
2.2



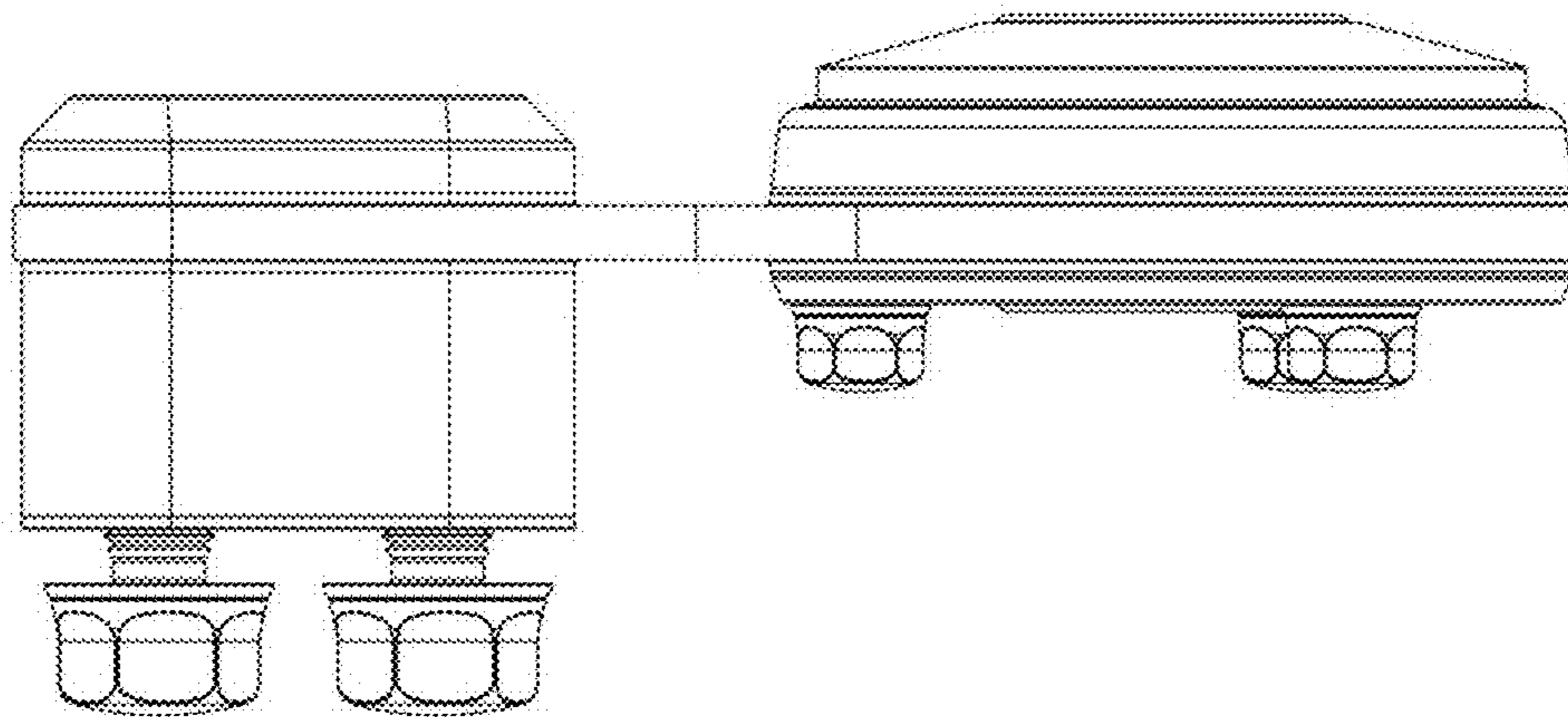
2.3



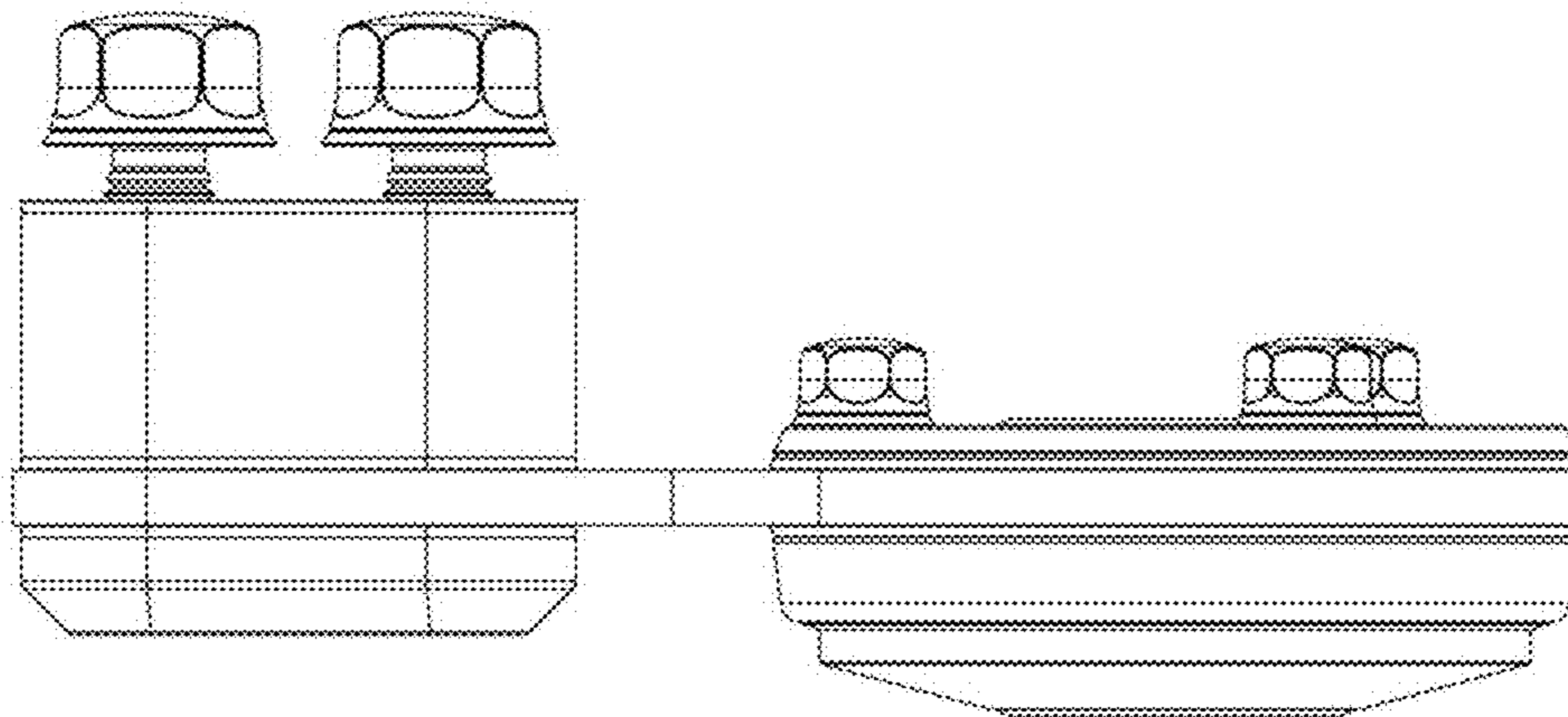
2.4



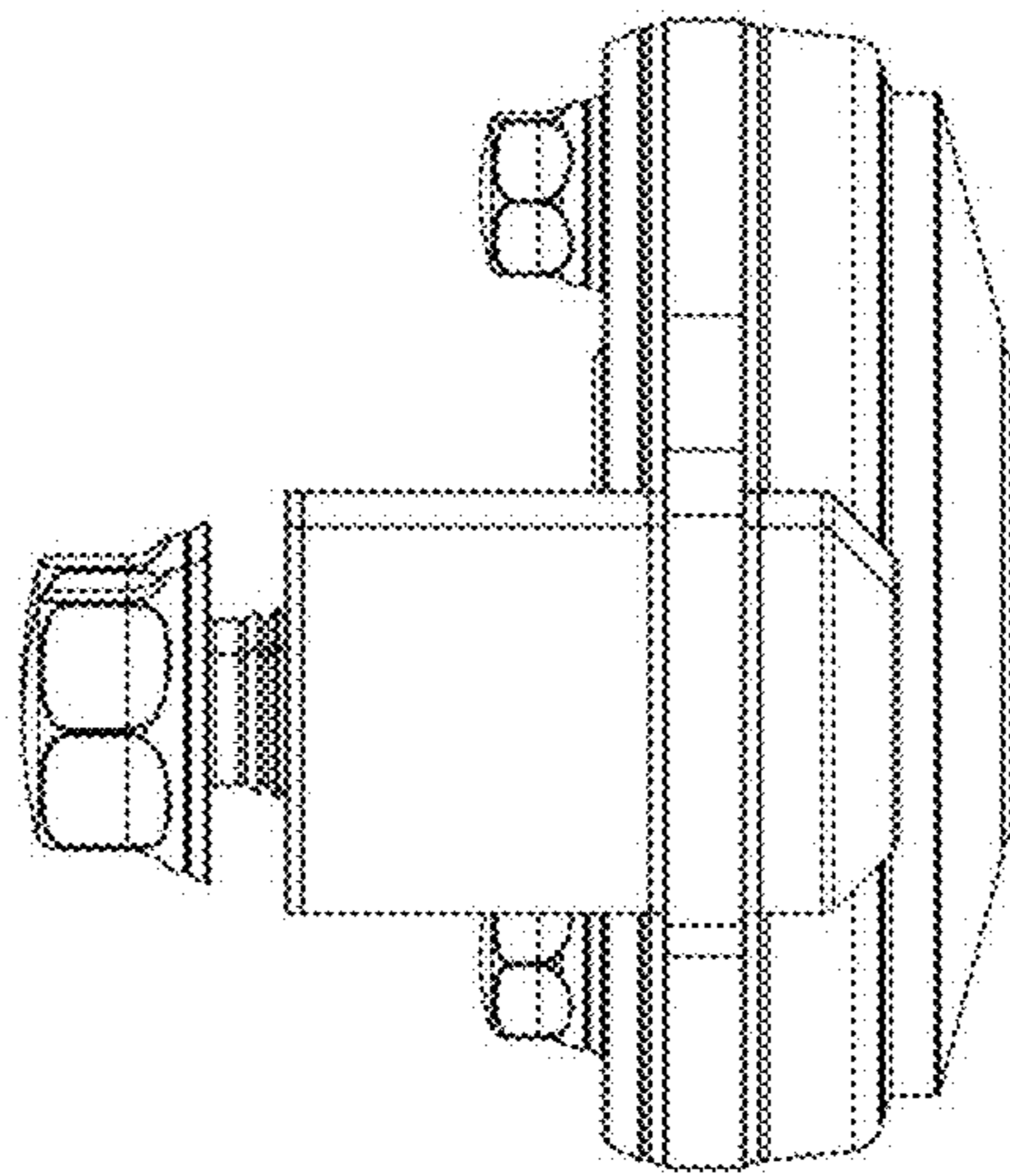
2.5



2.6



2.7



2.8

