



US00D989243S

(12) **United States Design Patent** (10) **Patent No.:** **US D989,243 S**
Deng (45) **Date of Patent:** **** Jun. 13, 2023**

(54) **PIPE FITTER**

FOREIGN PATENT DOCUMENTS

(71) Applicant: **Xiang Deng**, Shenzhen (CN)

CN 305004564 * 1/2019
CN 306463018 * 4/2021

(72) Inventor: **Xiang Deng**, Shenzhen (CN)

OTHER PUBLICATIONS

(**) Term: **15 Years**

(21) Appl. No.: **29/830,076**

Tube Connector 3-Way Stainless Steel Corner Pipe Fitting Tube Connector Side Outlet Elbow . . . Jadeshay Sore; First Available Date Jul. 30, 2019; Visited Online Nov. 19, 2022; <https://www.amazon.com/Tube-Connector-Stainless-Corner-Fitting/dp/B07VTQ6KSQ> (Year: 2019).*

(22) Filed: **Mar. 10, 2022**

10PCS 3 Way 16mm Elbow PVC Pipe Fitting . . . Tent Connection; First Available Date Nov. 8, 2018; Visited Online Nov. 19, 2022; https://www.amazon.com/Gardeningwill-Fitting-Greenhouse-Furniture-Connectors/dp/B07KBW9THN/ref=d_pb_allspark_dp_sims_pao_desktop_session_based_sccl_3_3/134-63298_rd_w=0uLxl&content-id=amzn1.sym.6b5008ac-c24a-4aea-a3ea-015a531184f5&pf_rd_p=6b5008ac-c24a-4aea-a3ea-015a531184f5&pf_rd_r=FEBQV4 (Year: 2018).*

(51) **LOC (14) Cl.** **23-01**

(52) **U.S. Cl.**

USPC **D23/263**; D23/259

(58) **Field of Classification Search**

USPC D23/259, 262, 234-235; D8/382, 387, D8/397, 399

CPC F16B 2/02; F16L 2201/10

See application file for complete search history.

* cited by examiner

(56) **References Cited**

Primary Examiner — Amy C Wierenga

U.S. PATENT DOCUMENTS

(57) **CLAIM**

The ornamental design for a pipe fitter, as shown and described.

D170,240 S * 8/1953 Raylor D23/265
2,839,320 A * 6/1958 Hill F16B 7/0486
D8/382

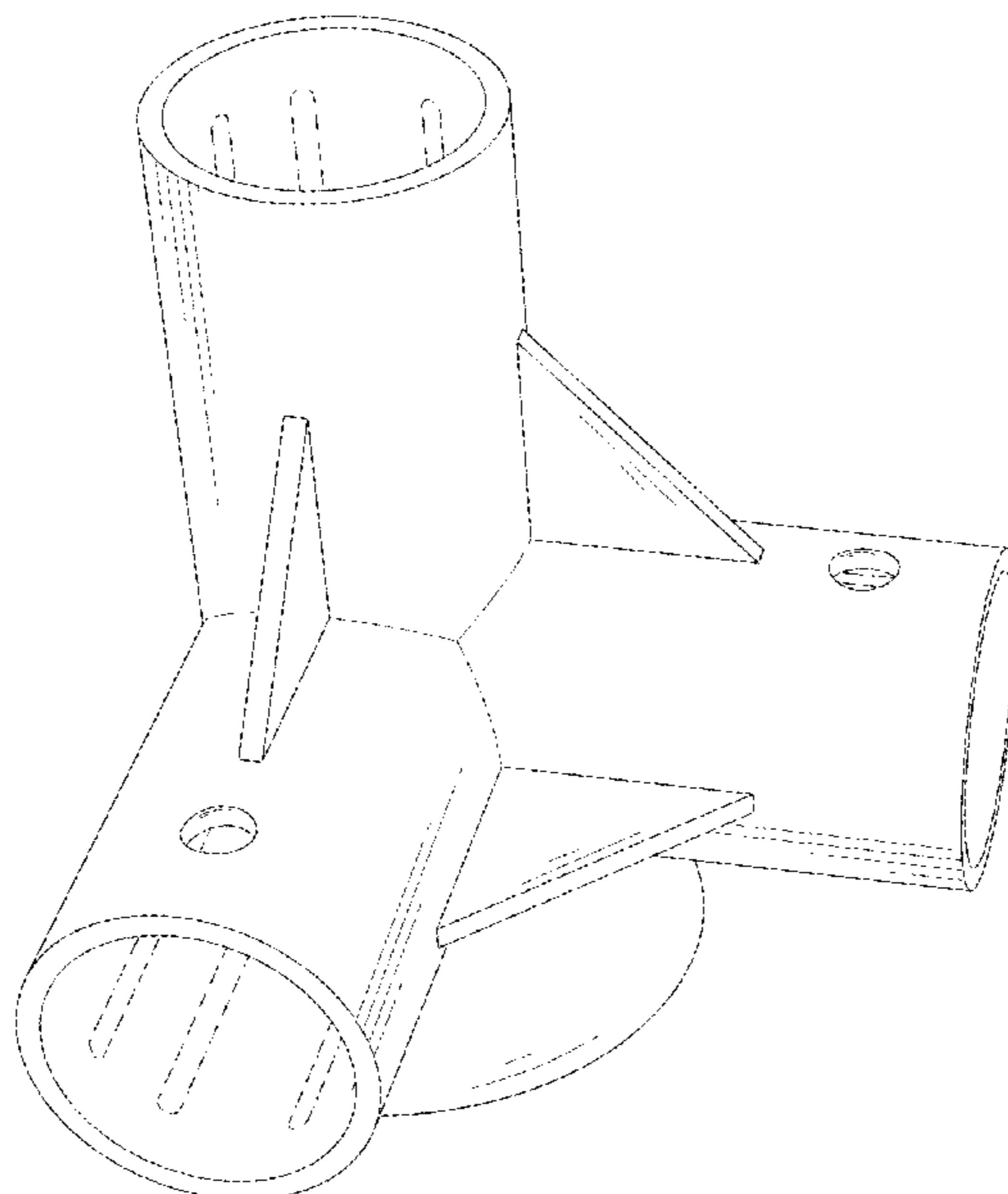
DESCRIPTION

D211,905 S * 8/1968 Goodridge D25/68
D381,573 S * 7/1997 Sabounjian D8/382
D397,211 S * 8/1998 Hirano D23/262
D418,047 S * 12/1999 Hirano D8/382
D418,398 S * 1/2000 Hirano D8/382
D423,918 S * 5/2000 Hirano D8/382
D453,553 S * 2/2002 Maerz D23/263
D592,492 S * 5/2009 Werschmidt D8/382
D905,832 S * 12/2020 Gray D23/262
D914,165 S * 3/2021 Ji Ho D23/259
D926,295 S * 7/2021 Zhang D23/262
D945,871 S * 3/2022 MacDonald D8/382
D957,241 S * 7/2022 Deng D8/382

2003/0097711 A1 5/2003 Cheng
2010/0260536 A1 10/2010 Yu et al.

FIG. 1 is a perspective view of a pipe fitter showing my new design;
FIG. 2 is a front elevational view thereof;
FIG. 3 is a rear elevational view thereof;
FIG. 4 is a left side elevational view thereof;
FIG. 5 is a right side elevational view thereof;
FIG. 6 is a top plan view thereof; and,
FIG. 7 is a bottom plan view thereof.
The dashed broken lines depict portions of the pipe fitter that form no part of the claim.

1 Claim, 7 Drawing Sheets



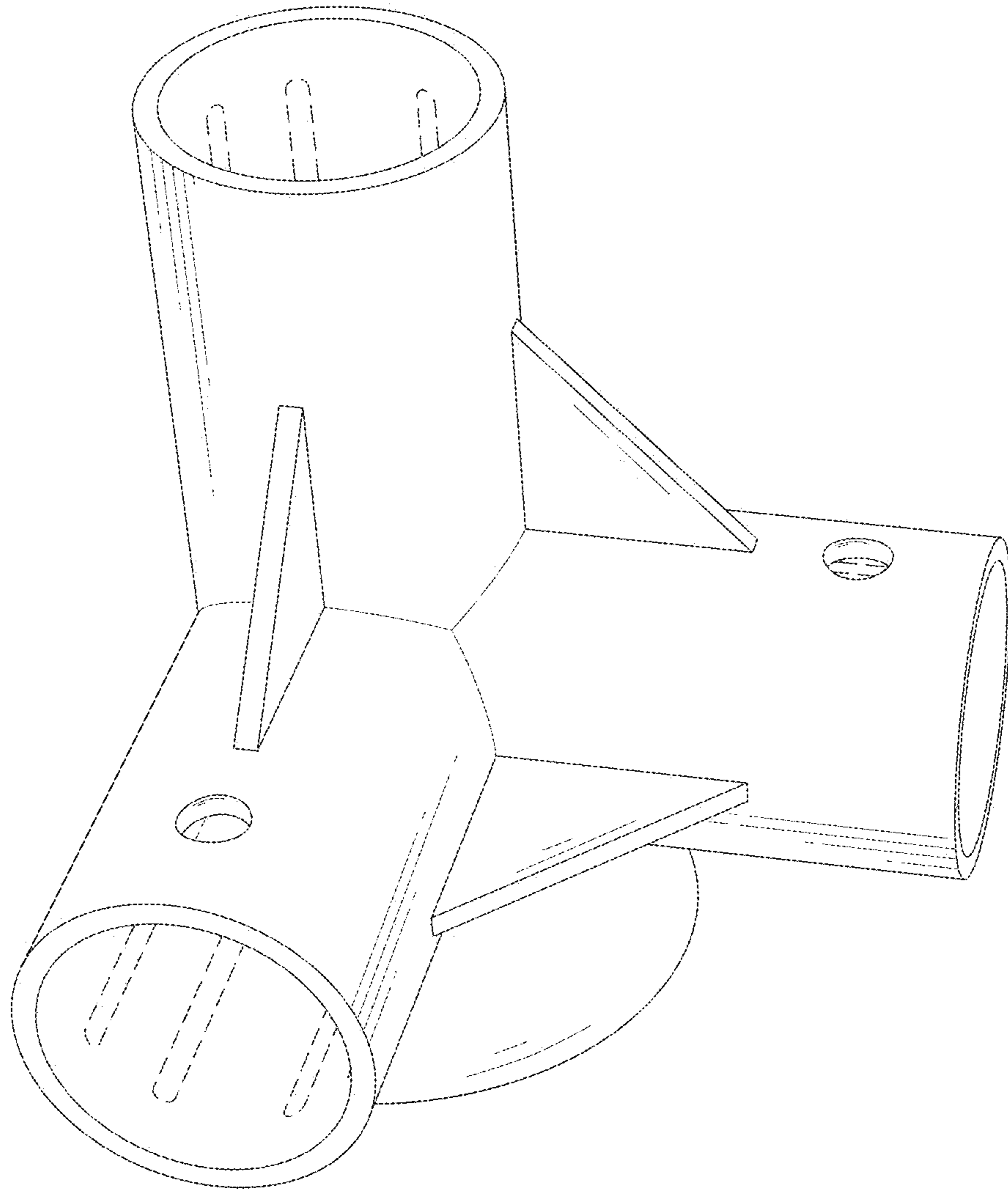


FIG. 1

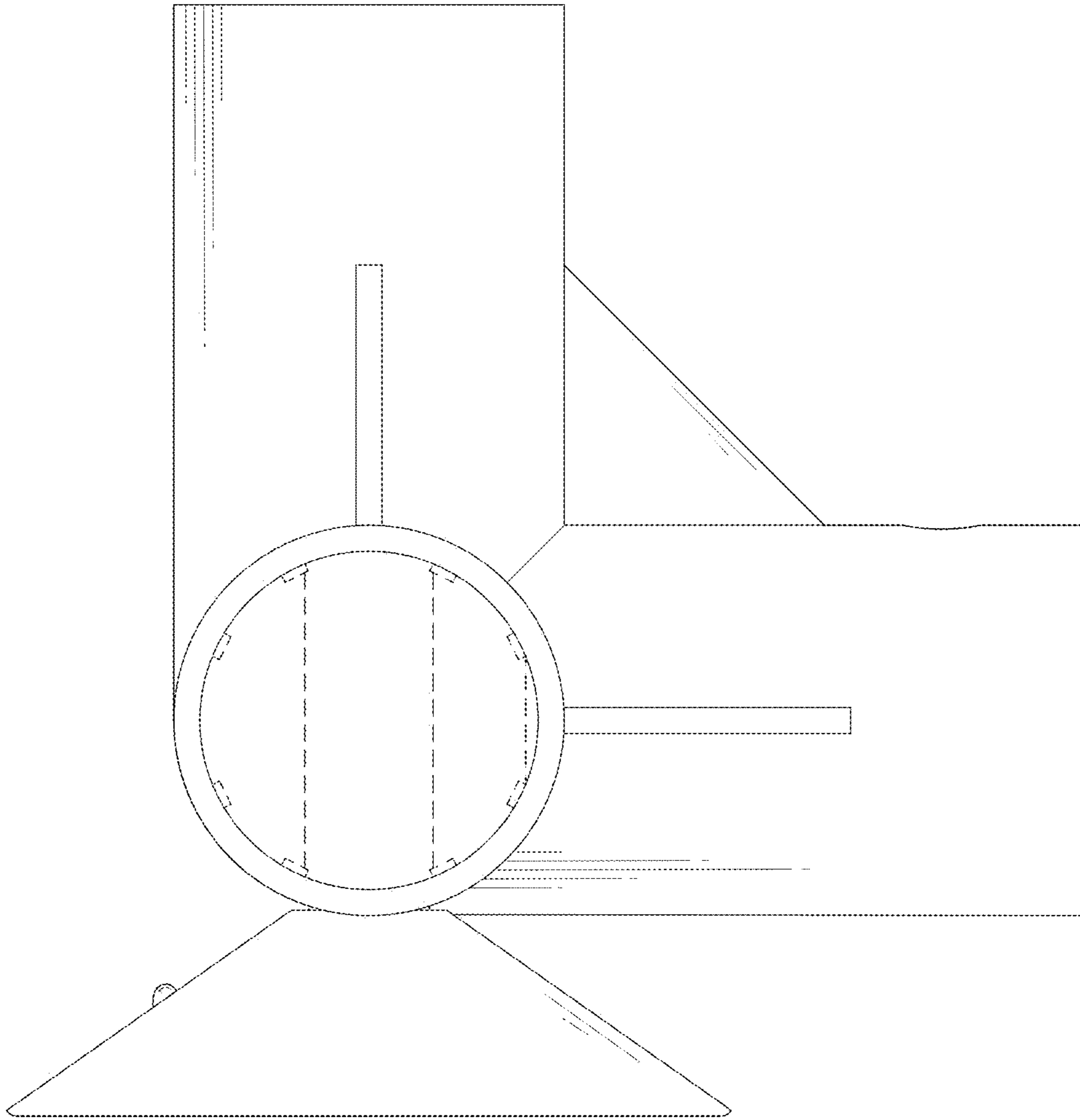


FIG. 2

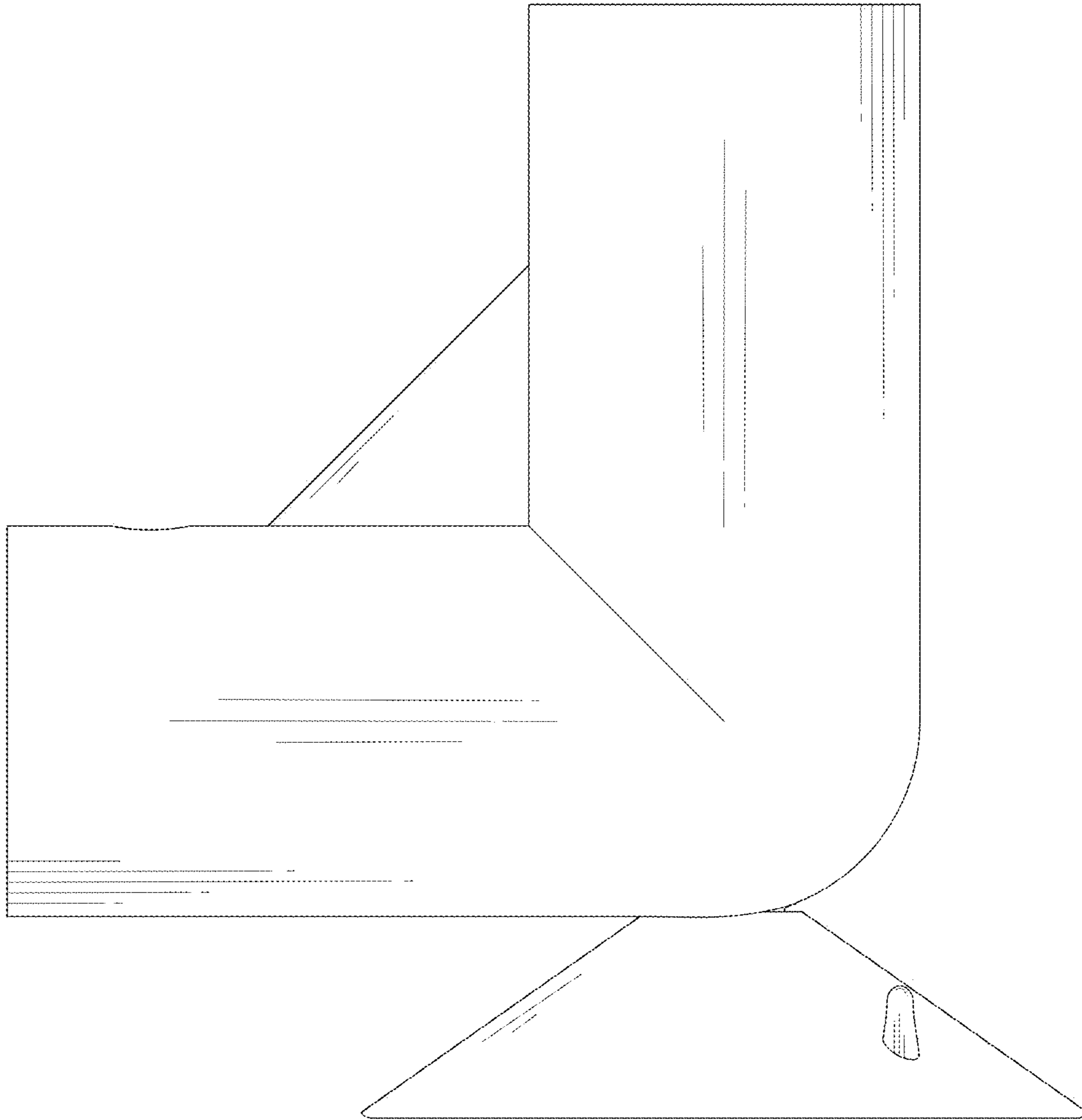


FIG. 3

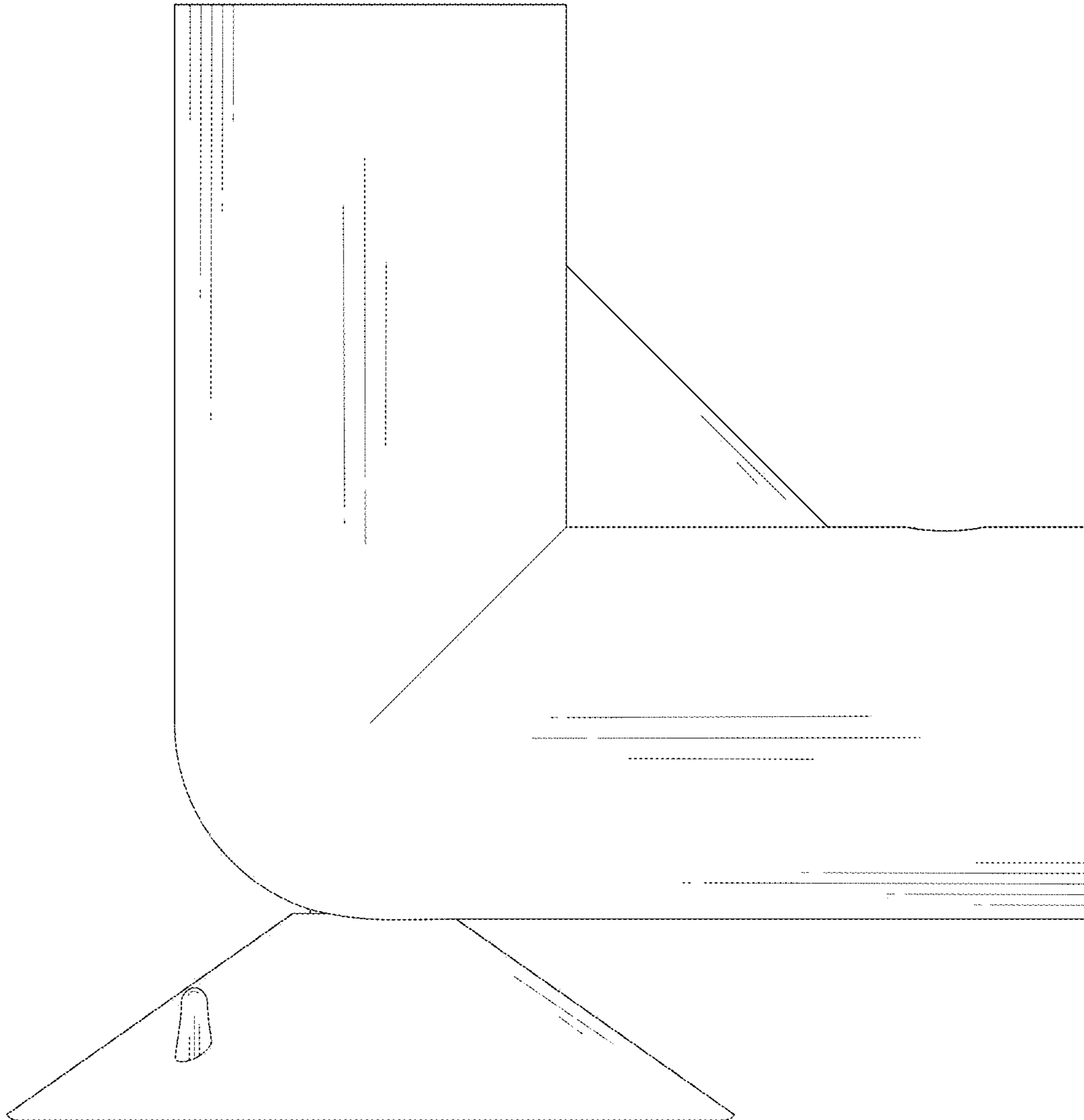


FIG. 4

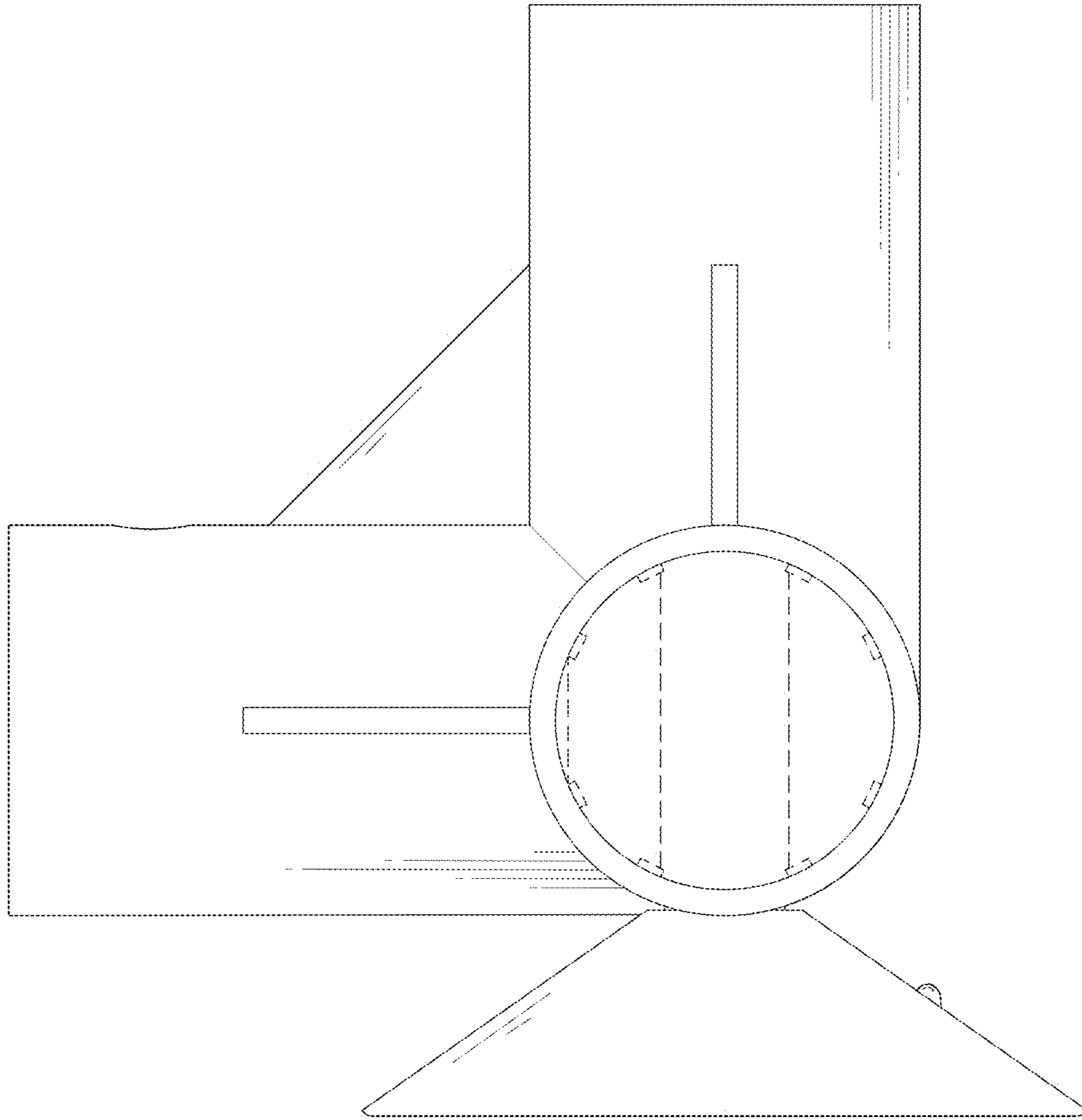


FIG. 5

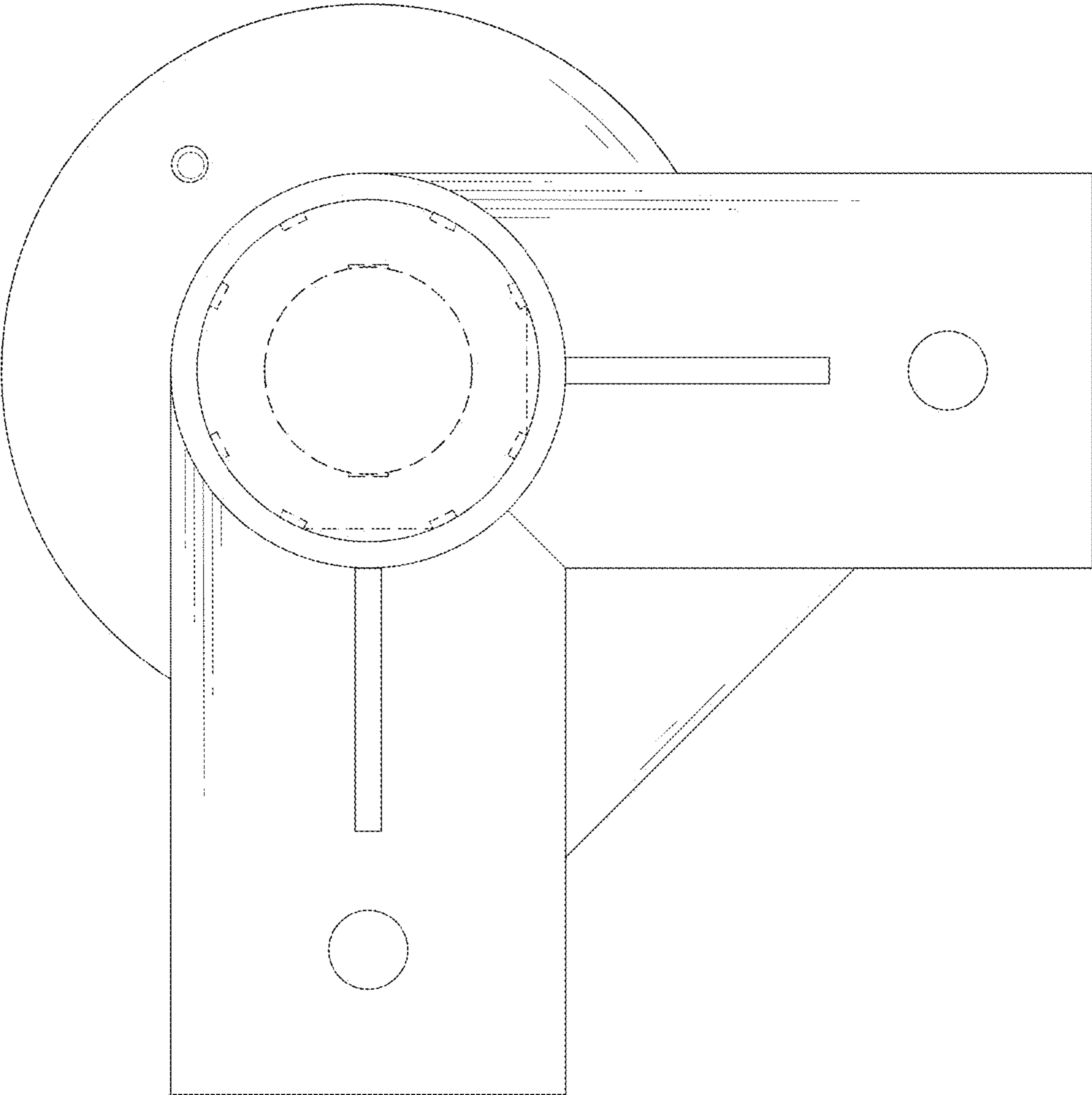


FIG. 6

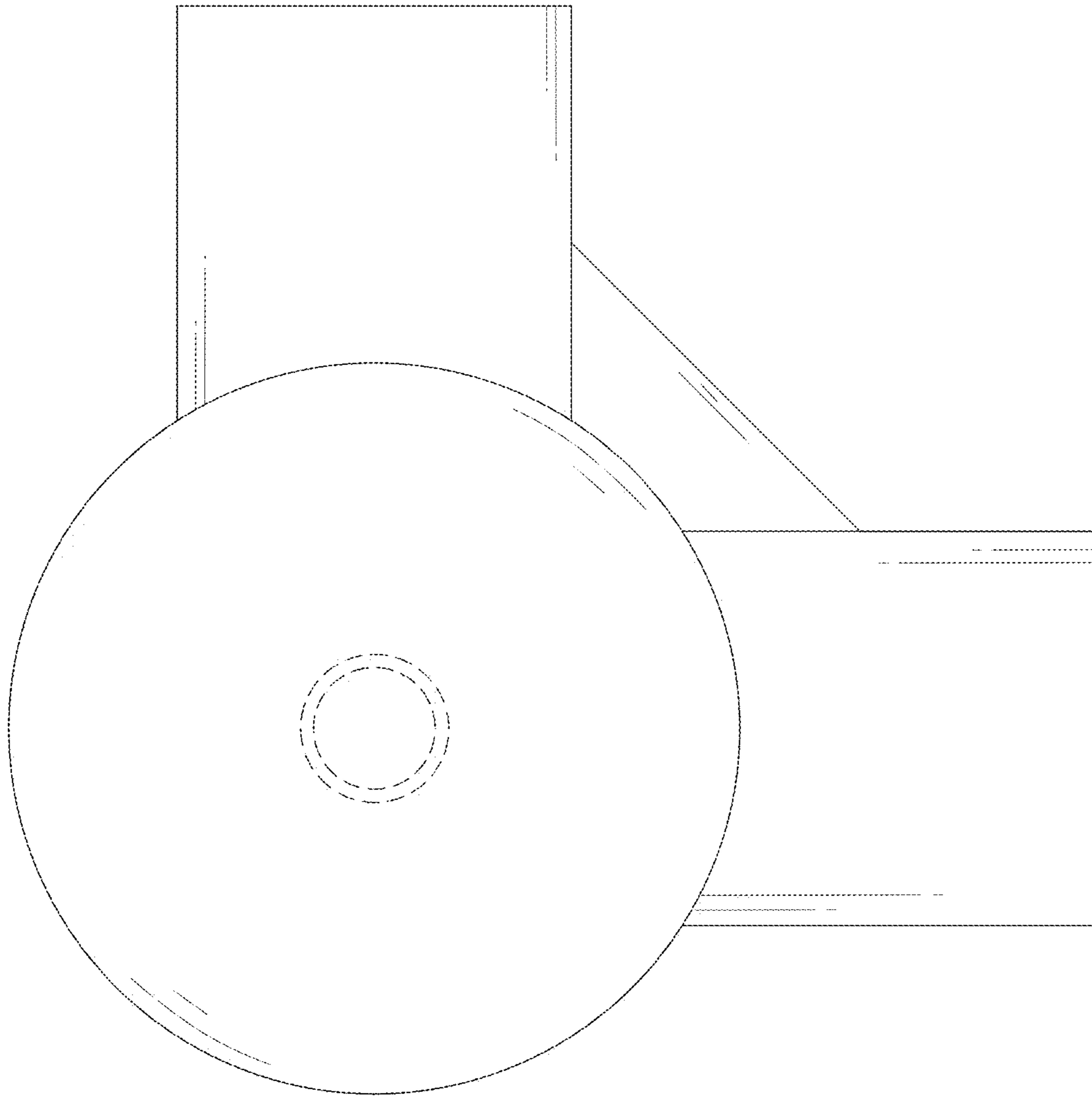


FIG. 7