



US00D989242S

(12) **United States Design Patent** (10) **Patent No.:** **US D989,242 S**
Streng et al. (45) **Date of Patent:** **** Jun. 13, 2023**

(54) **FAUCET**

OTHER PUBLICATIONS

(71) Applicant: **Zurn Industries, LLC**, Milwaukee, WI (US)

Delta Commercial Bathroom Faucet Electronic Model:1500T3380, Build.com, <https://www.build.com/delta-1500t3380/s82963?uid=1907673&searchId=O7yT5OU3se> (Year: 2012).*

(72) Inventors: **Christopher R. Streng**, Carpentersville, IL (US); **Chan Hok**, Milwaukee, WI (US); **Chadwick B. Williams**, Milwaukee, WI (US); **Daniel J. Danowski**, Milwaukee, WI (US); **Nilesh Contractor**, Milwaukee, WI (US)

(Continued)

Primary Examiner — Robert A Delehanty
(74) *Attorney, Agent, or Firm* — Michael Best & Friedrich LLP

(73) Assignee: **Zurn Industries, LLC**, Milwaukee, WI (US)

(57) **CLAIM**

We claim the ornamental design for a faucet, as shown and described.

(**) Term: **15 Years**

DESCRIPTION

(21) Appl. No.: **29/814,530**

FIG. 1 is a first perspective view of a faucet embodying the present invention.

(22) Filed: **Nov. 5, 2021**

FIG. 2 is a second perspective view of the faucet of FIG. 1.

(51) **LOC (14) Cl.** **23-01**

FIG. 3 is a front view of the faucet of FIG. 1.

(52) **U.S. Cl.**

FIG. 4 is a rear view of the faucet of FIG. 1.

USPC **D23/255**

FIG. 5 is a first side view of the faucet of FIG. 1.

(58) **Field of Classification Search**

USPC D23/238–243, 255, 257, 249; D8/353

FIG. 6 is a second side view of the faucet of FIG. 1.

See application file for complete search history.

FIG. 7 is a top view of the faucet of FIG. 1.

FIG. 8 is a bottom view of the faucet of FIG. 1.

FIG. 9 is a first perspective view of another faucet embodying the invention.

FIG. 10 is a second perspective view of a faucet of FIG. 9.

FIG. 11 is a front view of the faucet of FIG. 9.

FIG. 12 is a rear view of the faucet of FIG. 9.

FIG. 13 is a first side view of the faucet of FIG. 9.

FIG. 14 is a second side view of the faucet of FIG. 9.

FIG. 15 is a top view of the faucet of FIG. 9; and,

FIG. 16 is a bottom view of the faucet of FIG. 9.

The present application is directed to the shape and contour of the designs illustrated in the drawings. The elements shown in broken lines form no part of the claimed design and are included for the purpose of showing the environment of the claimed design.

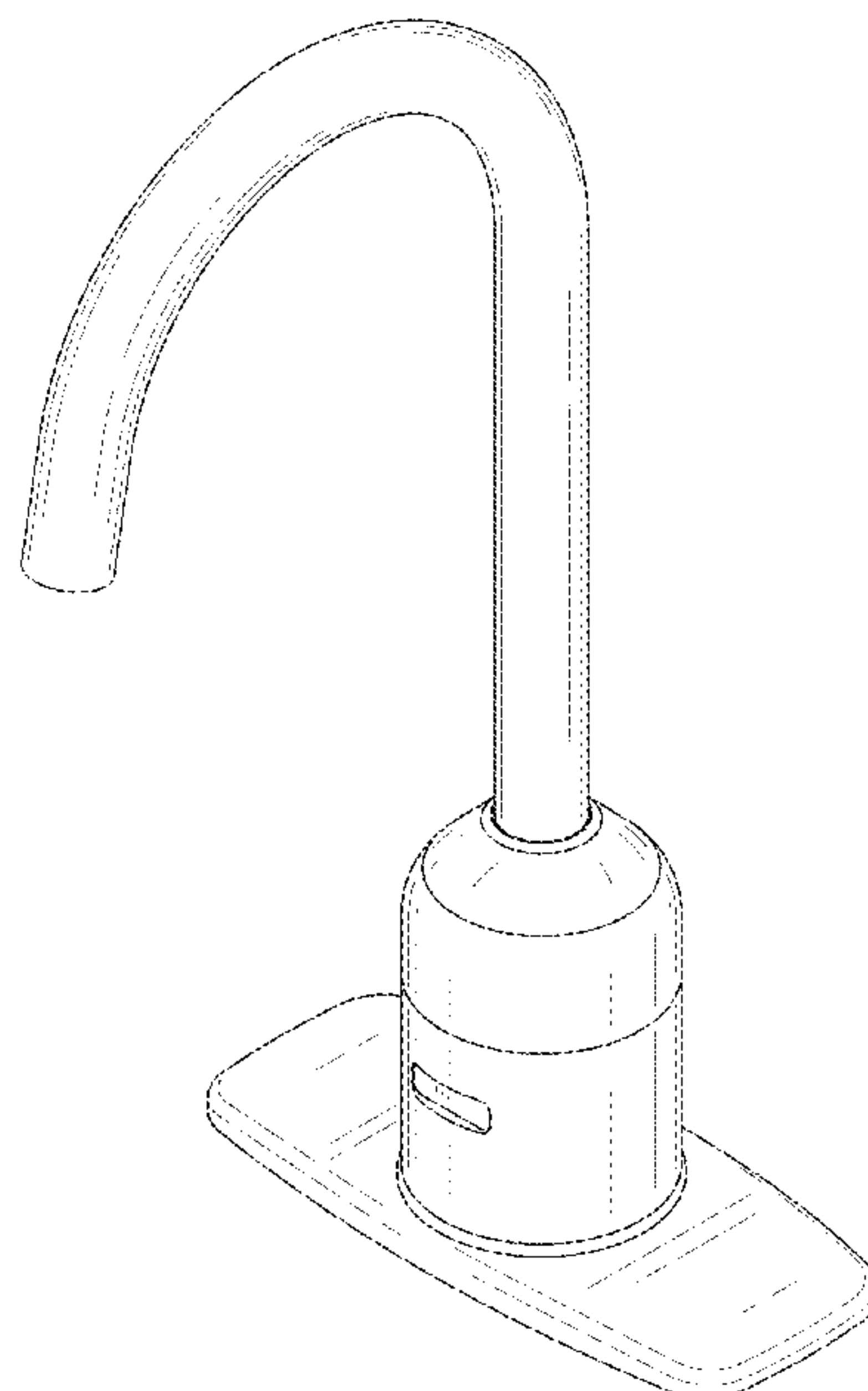
(56) **References Cited**

U.S. PATENT DOCUMENTS

D328,782 S * 8/1992 Paterson D23/238
D414,847 S * 10/1999 Snyder D23/255
D420,726 S * 2/2000 Slothower D23/257
D440,284 S * 4/2001 Pitsch D23/249

(Continued)

1 Claim, 16 Drawing Sheets



(56)

References Cited

U.S. PATENT DOCUMENTS

D509,884 S * 9/2005 Ouyoung D23/255
2018/0119394 A1* 5/2018 Zhan E03C 1/02

OTHER PUBLICATIONS

Elkay® LKB721C Commercial Sensor Operated Battery Powered Deck Mount Faucet, Chrome, Model # T9FB380409, MPN #: LKB721C, Global Industrial, https://www.globalindustrial.com/p/commercial-sensor-faucet-elkay-lkb721c?infoParam.campaignId=T9F&gclid=EAIaIQobChM1lavOu-W1_QIVi4zlCh2oUAH5EAQYBCABEgKdYPD_BwE (Year: 2019).*

* cited by examiner

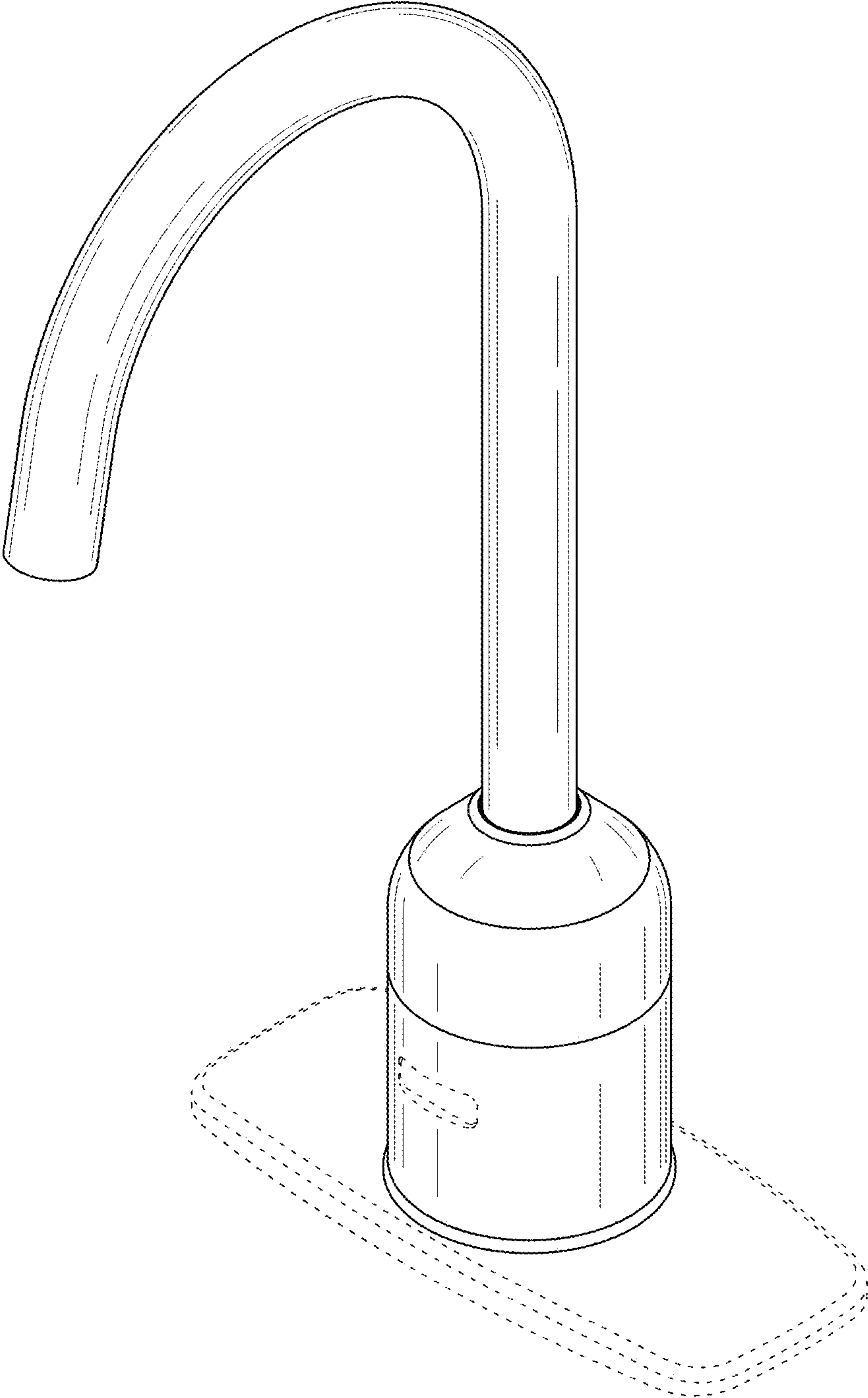


FIG. 1

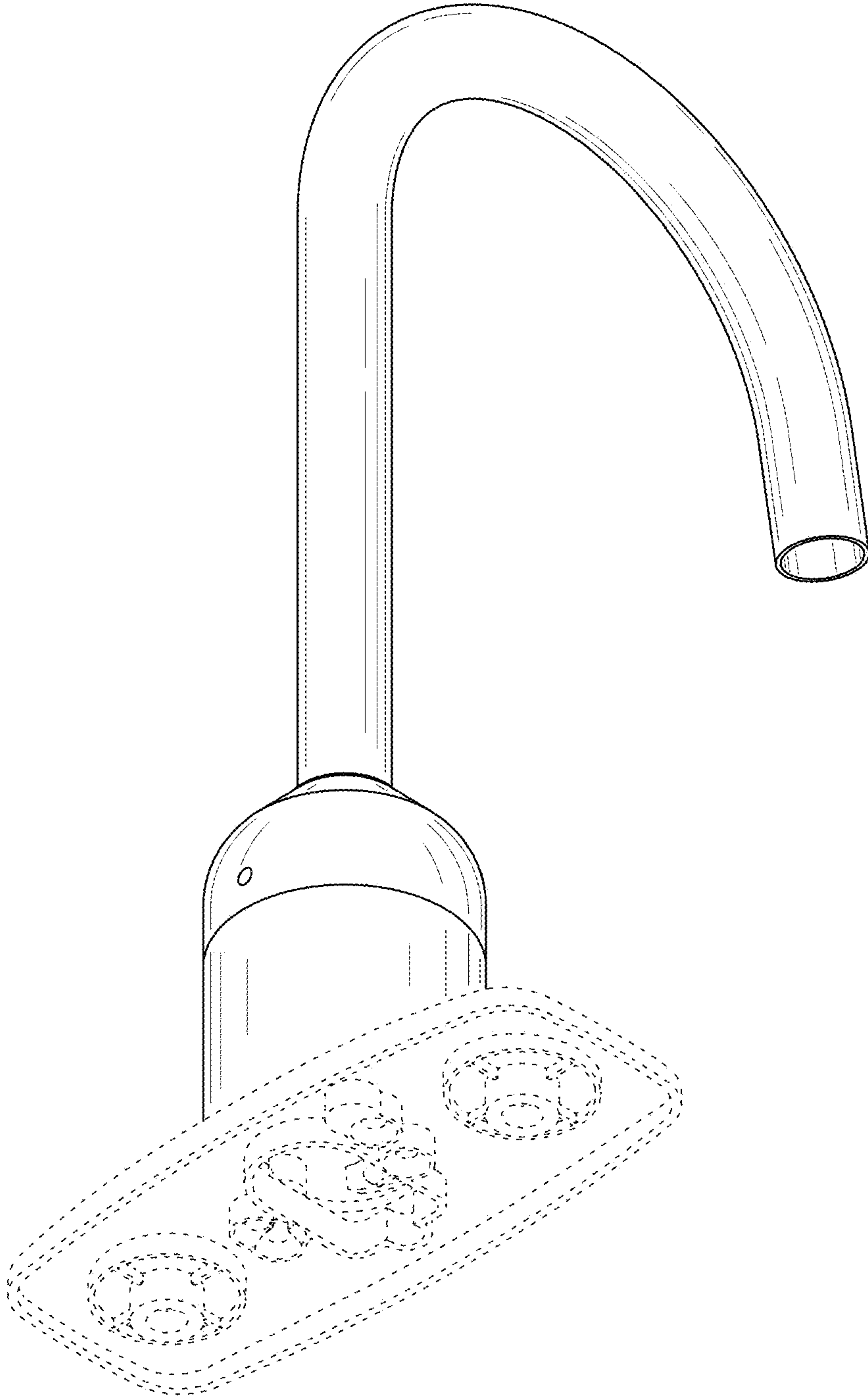


FIG. 2

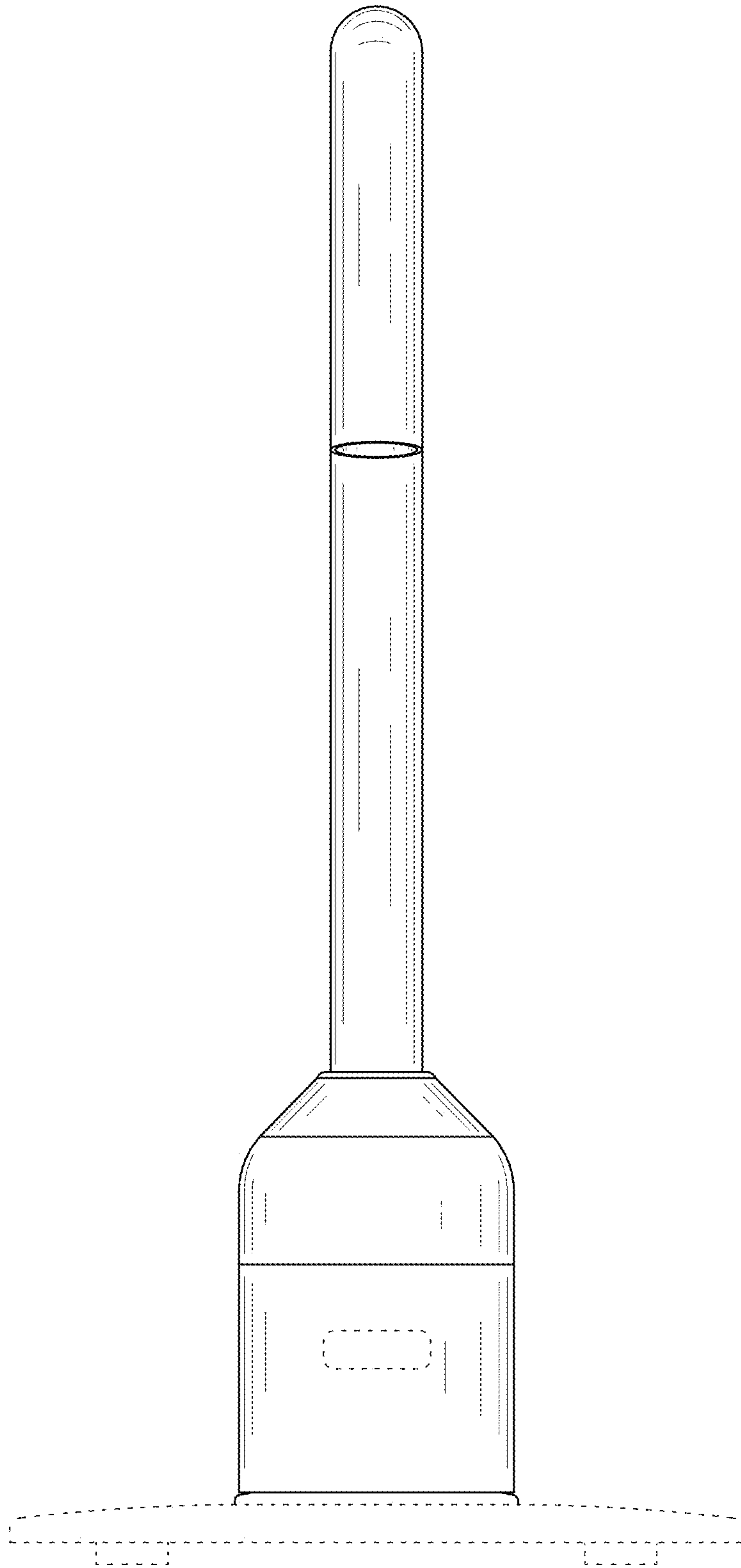


FIG. 3

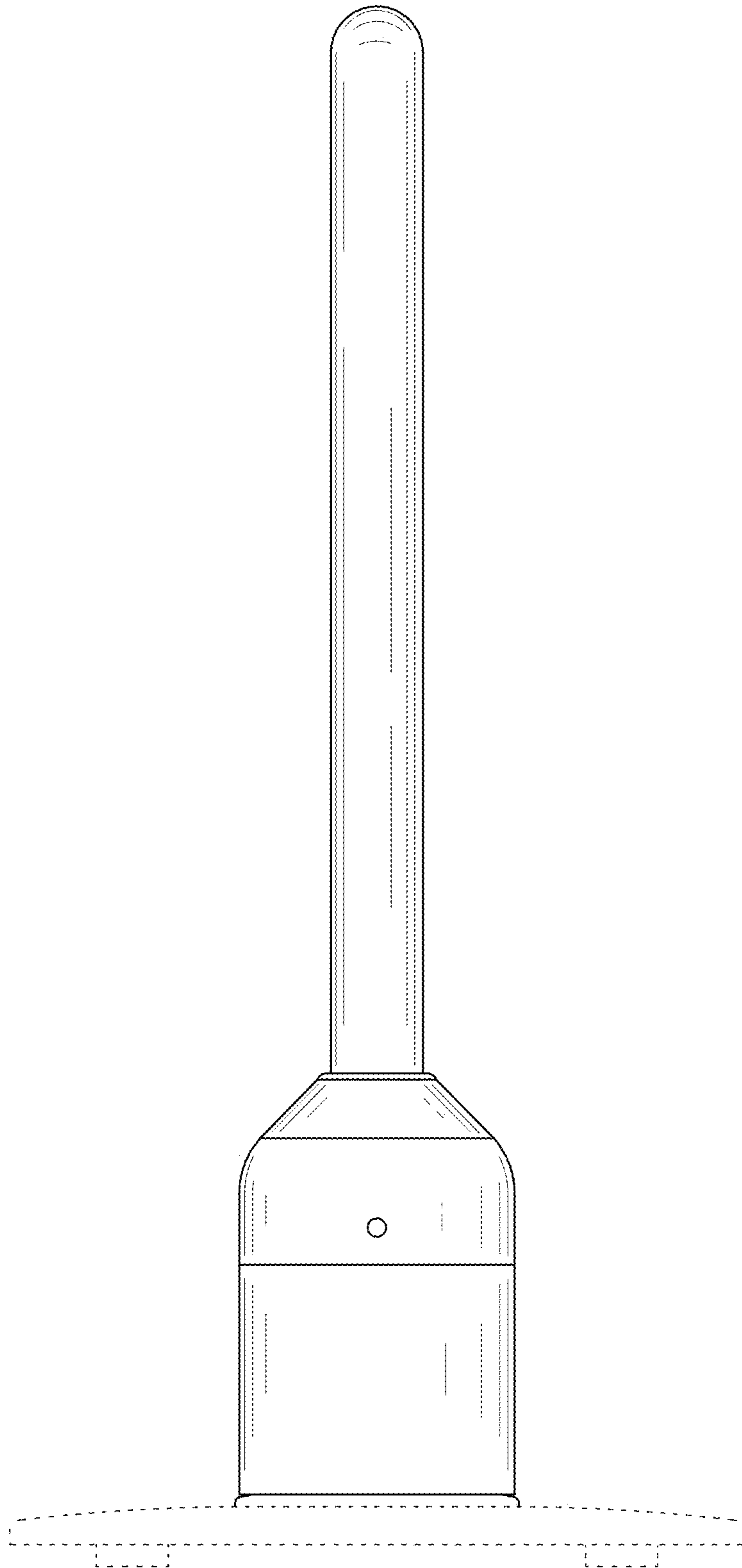


FIG. 4

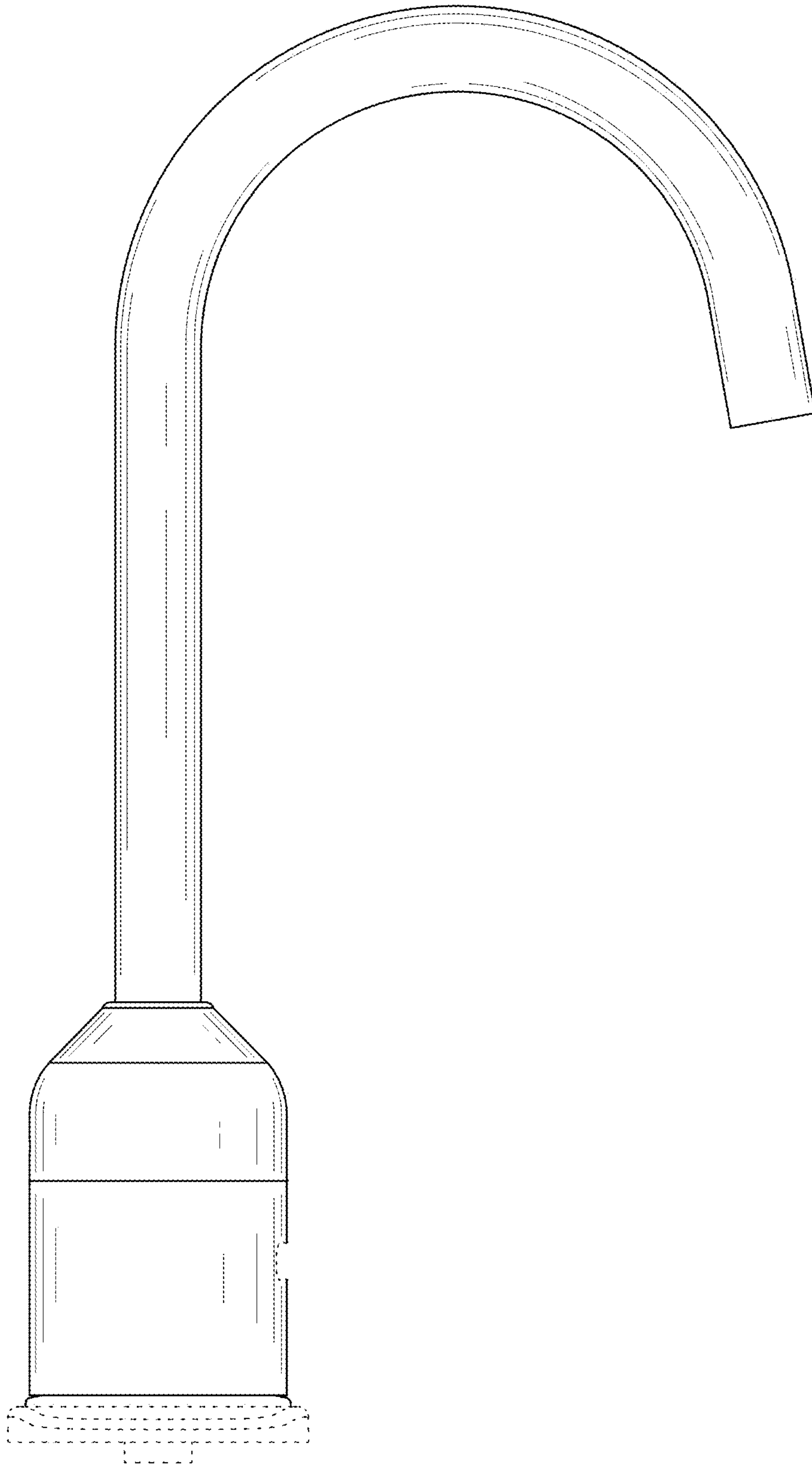


FIG. 5

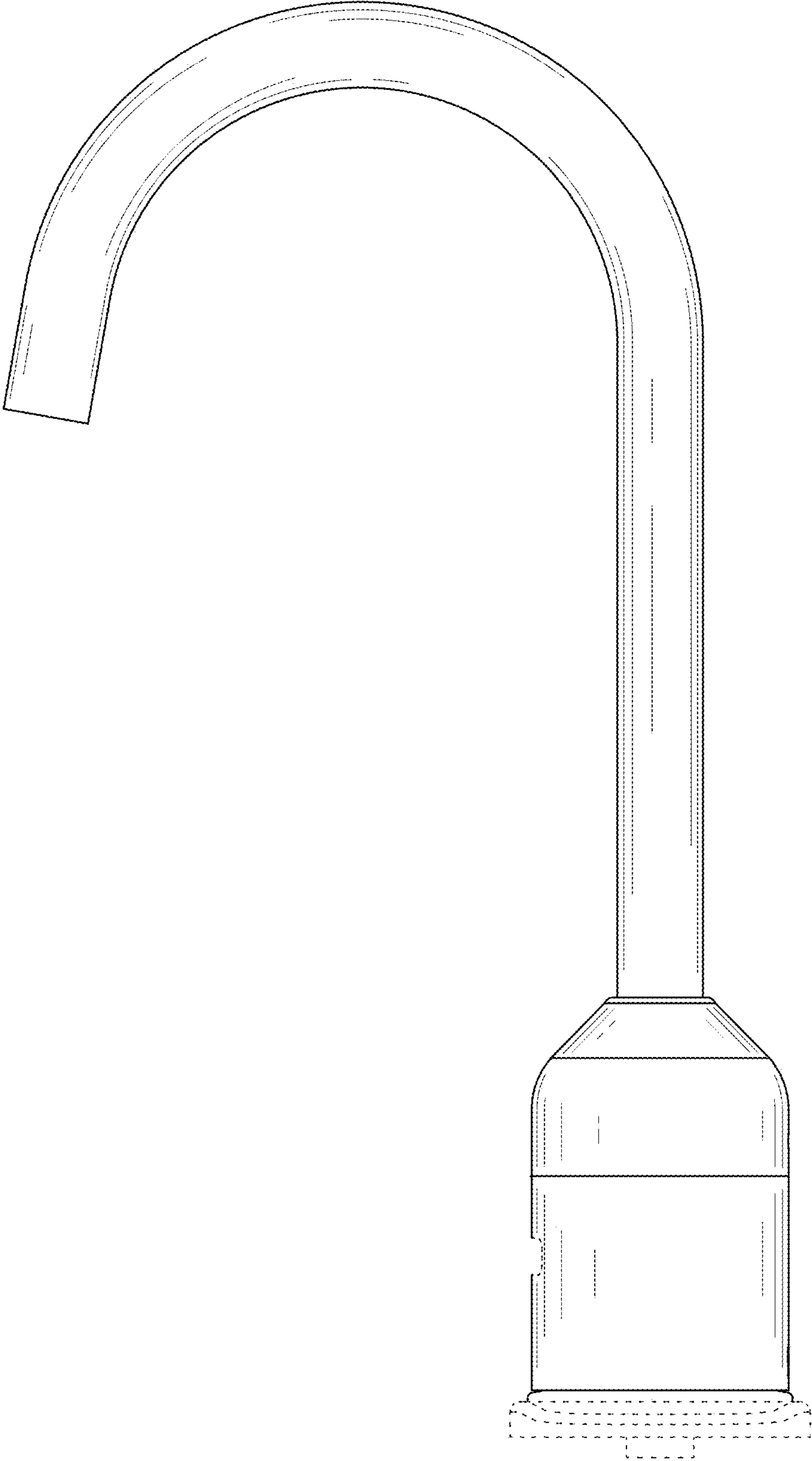


FIG. 6

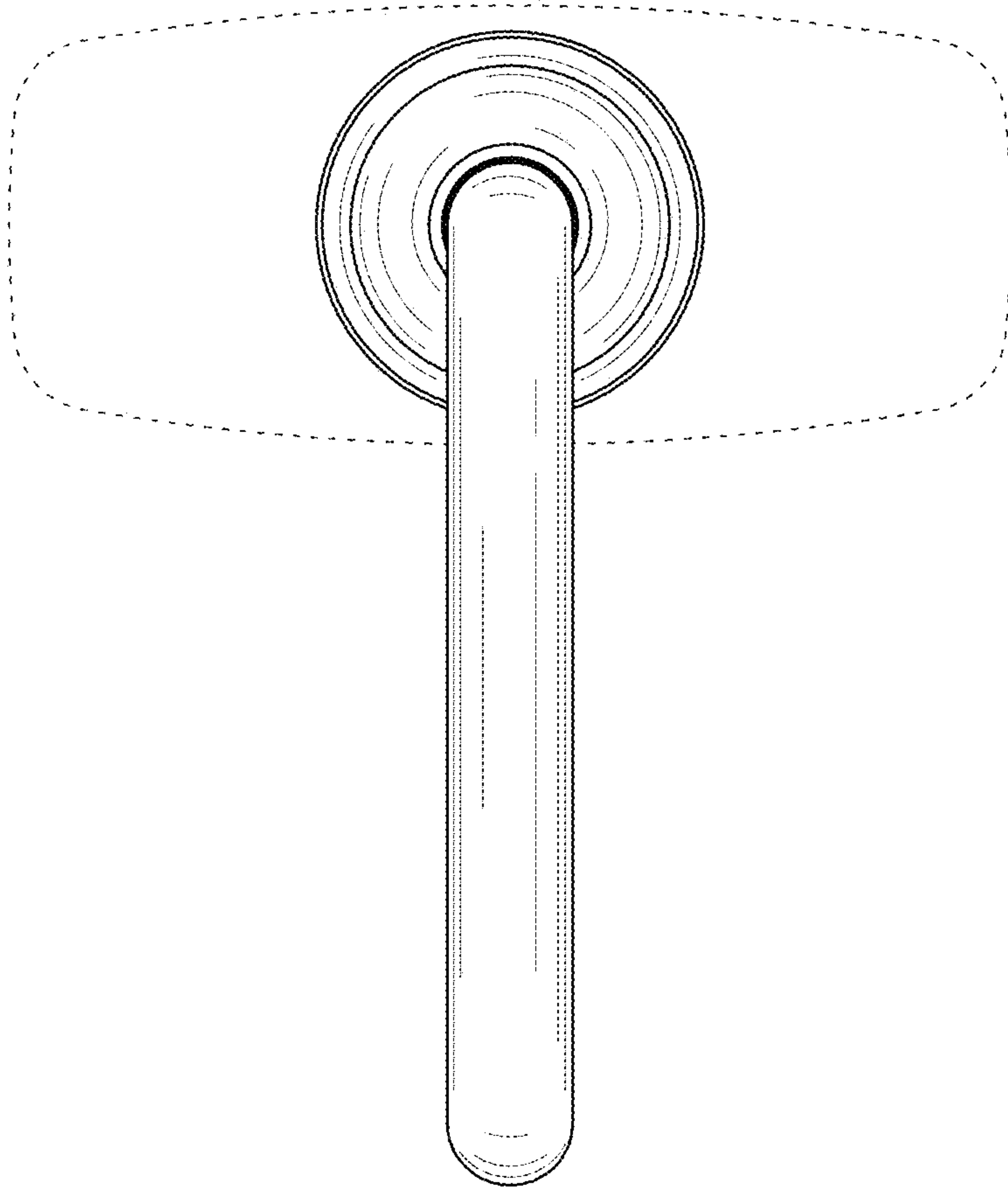


FIG. 7

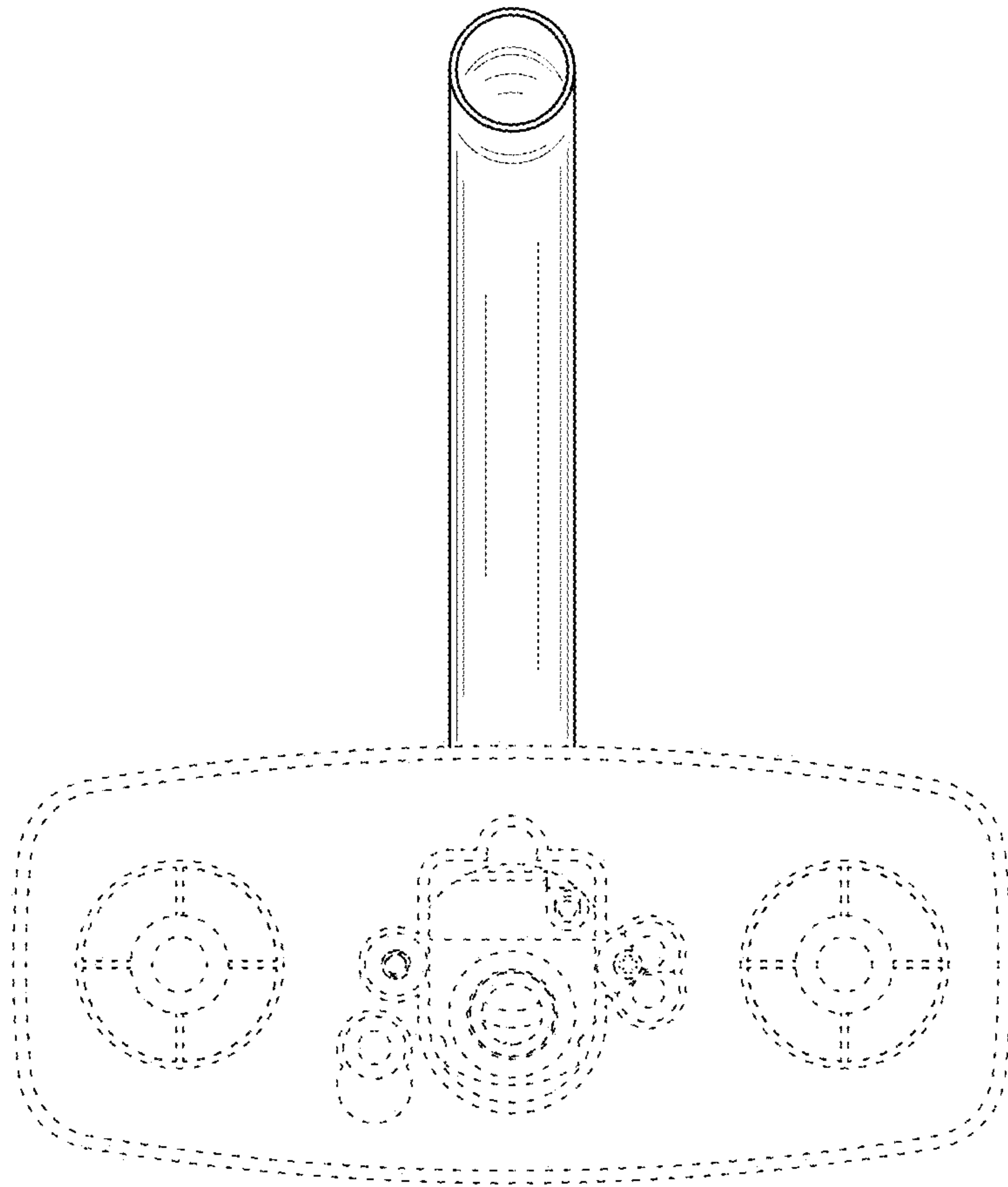


FIG. 8

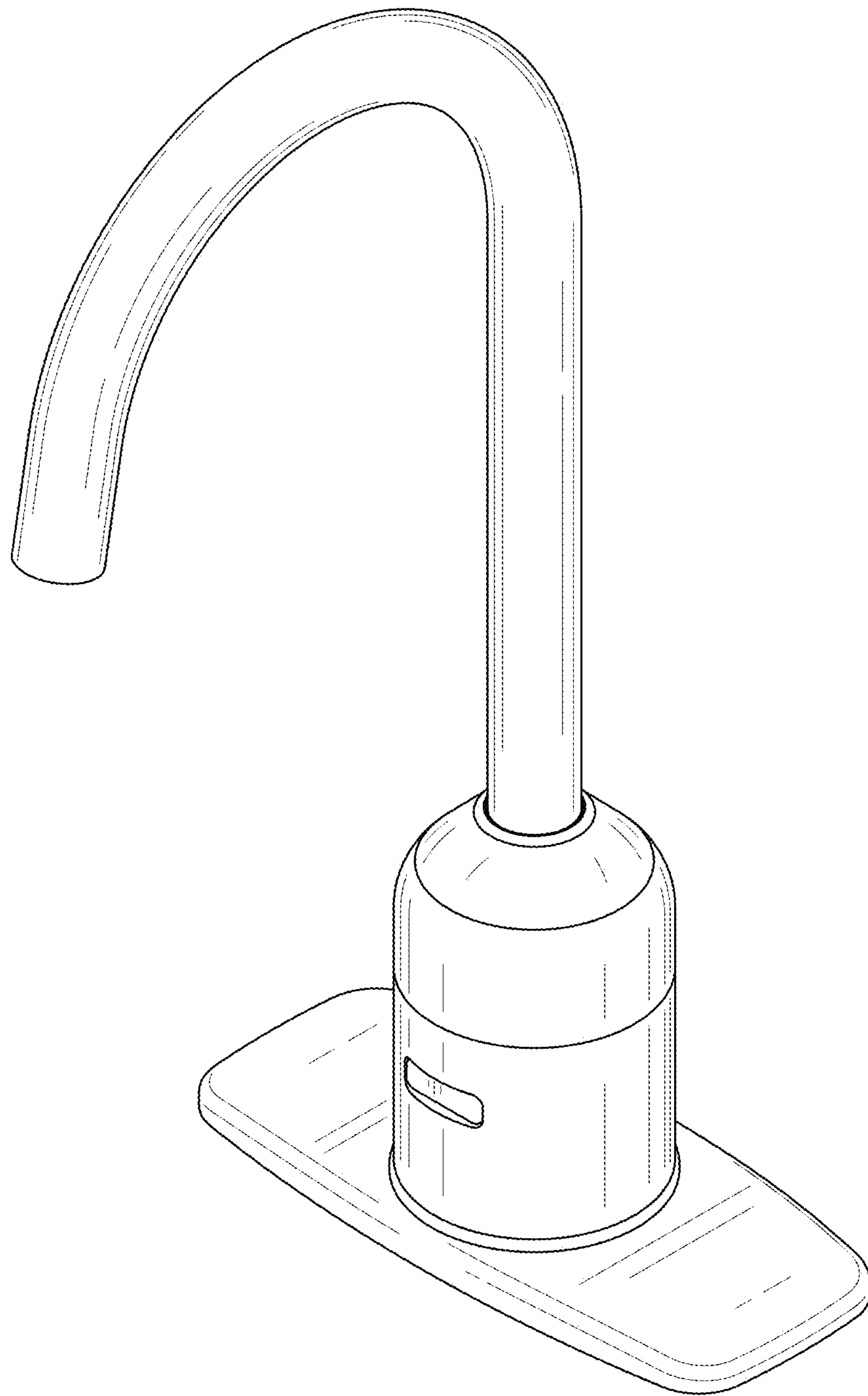


FIG. 9

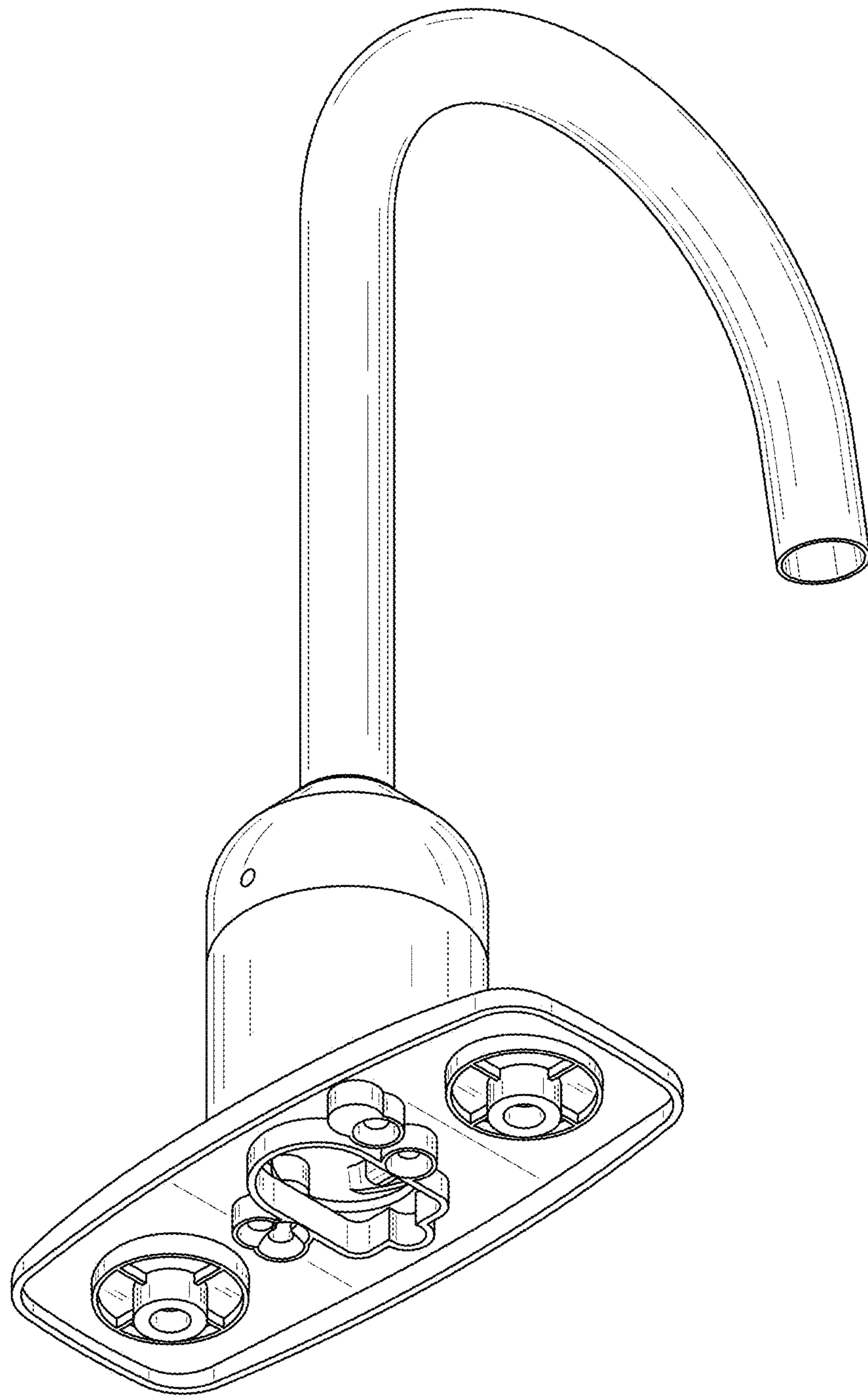


FIG. 10

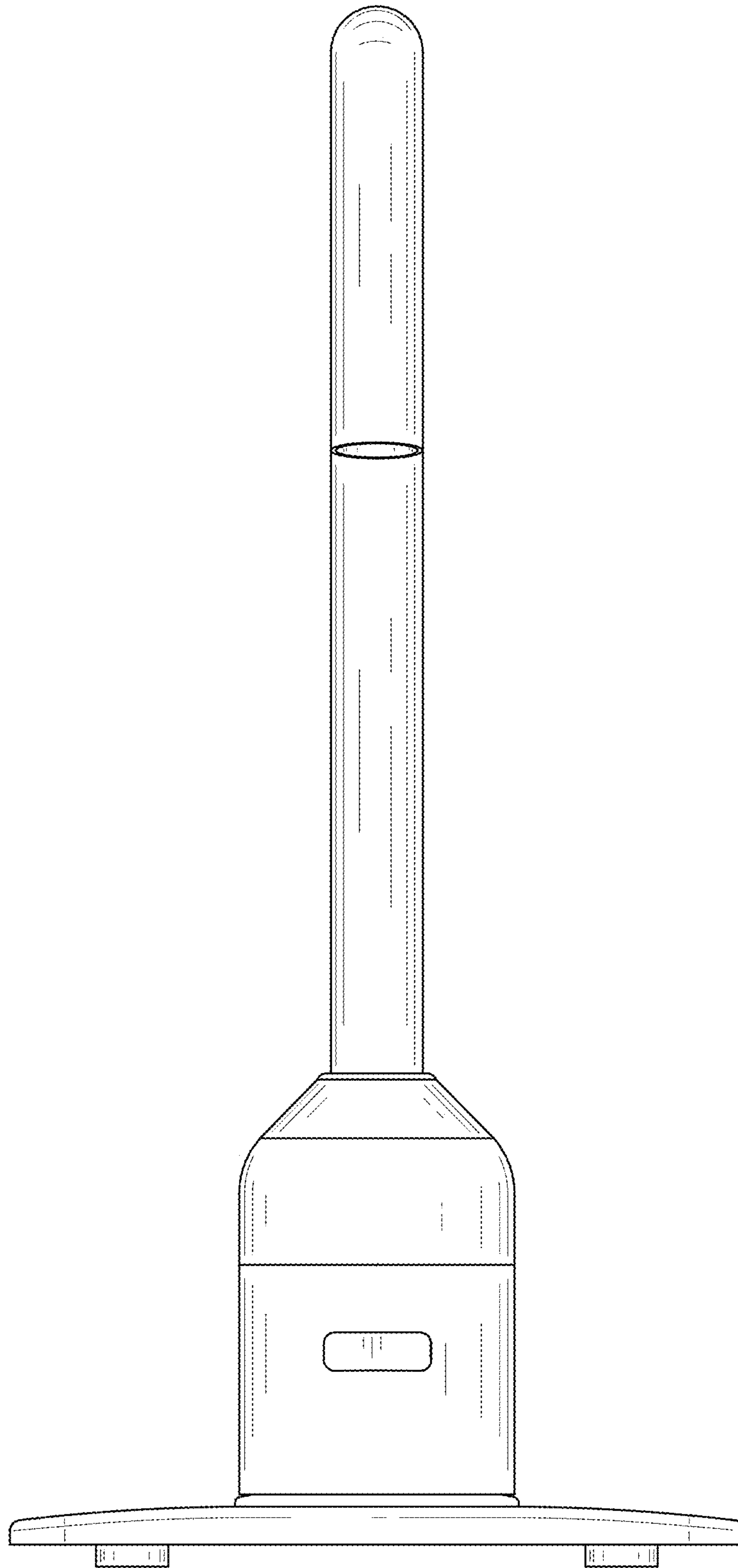


FIG. 11

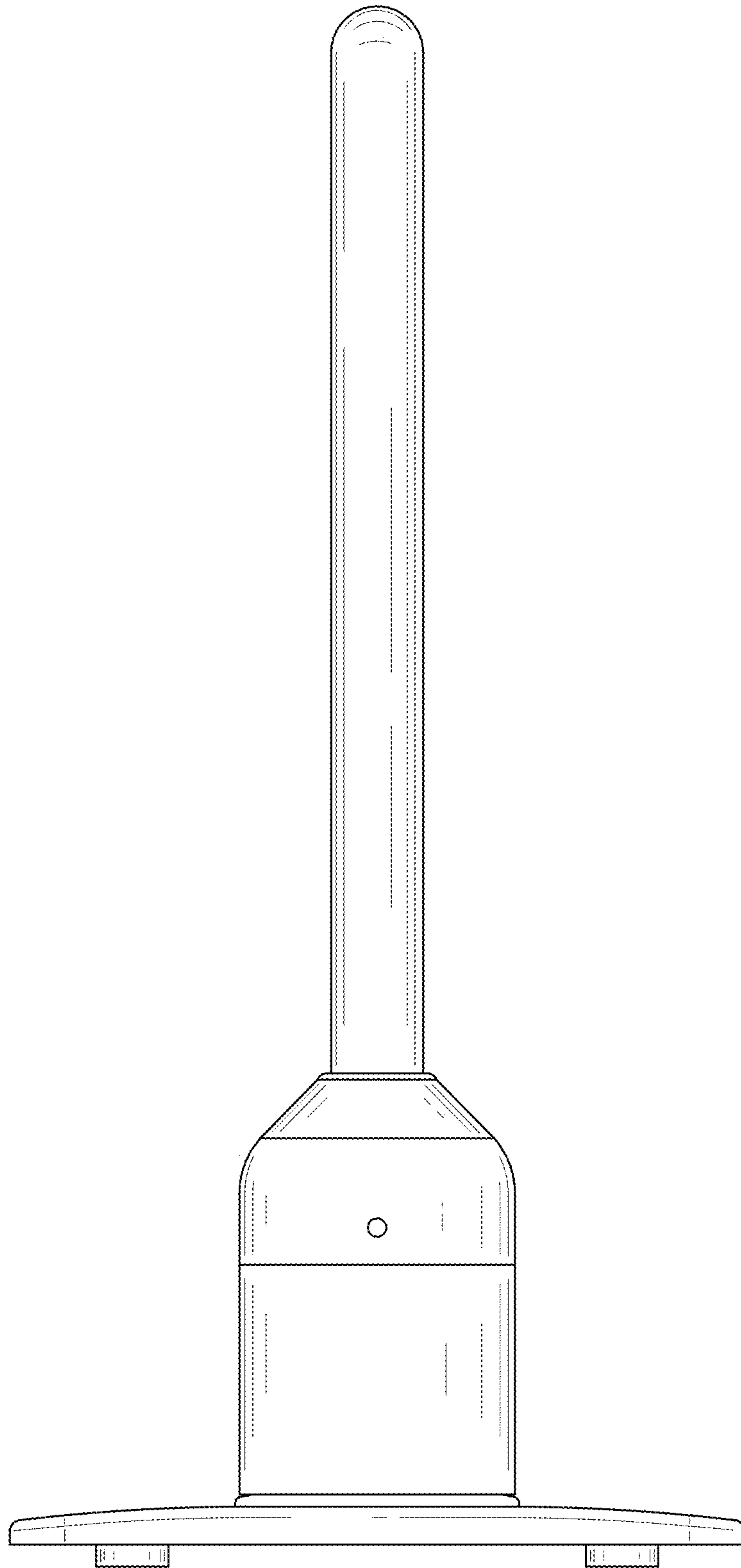


FIG. 12

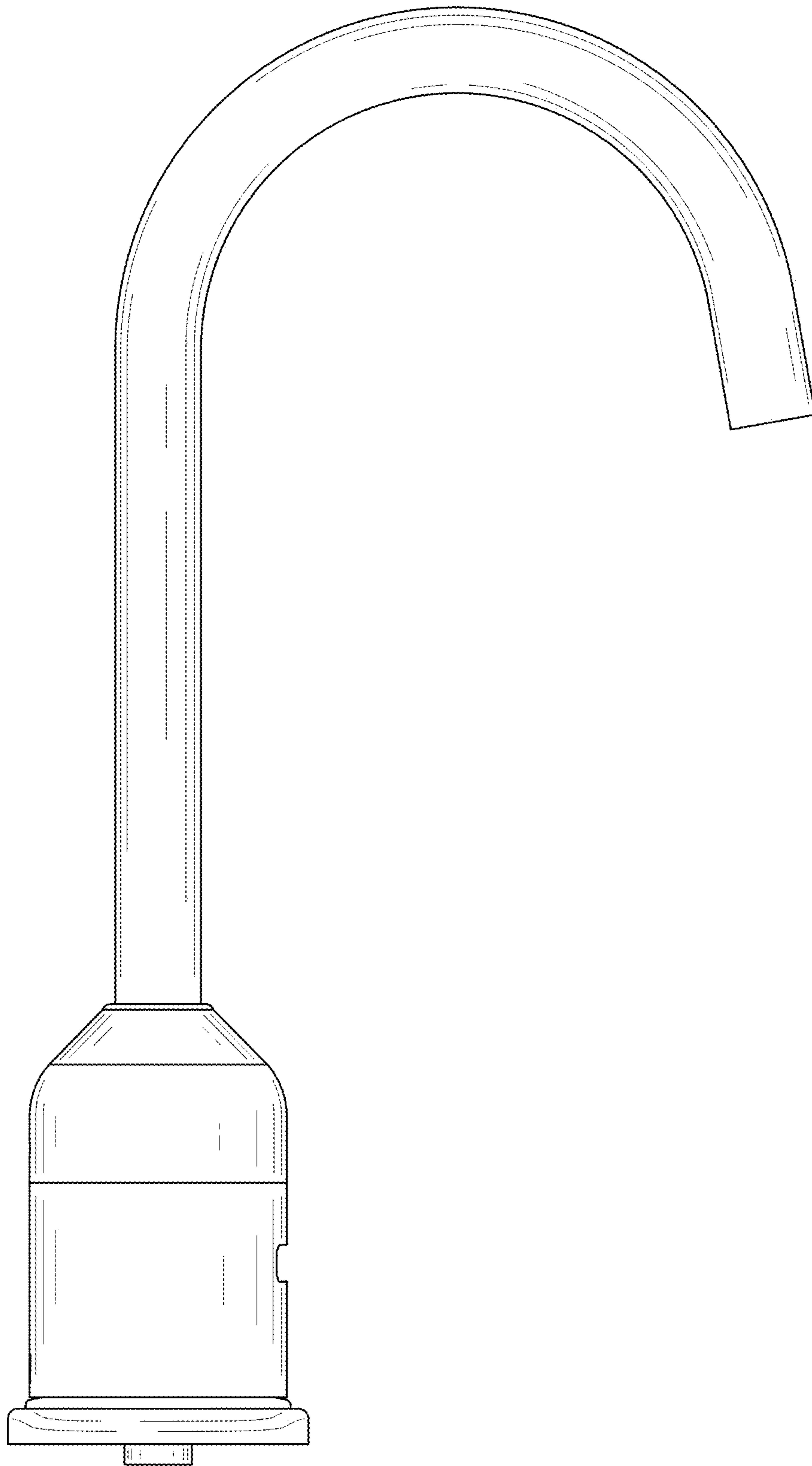


FIG. 13

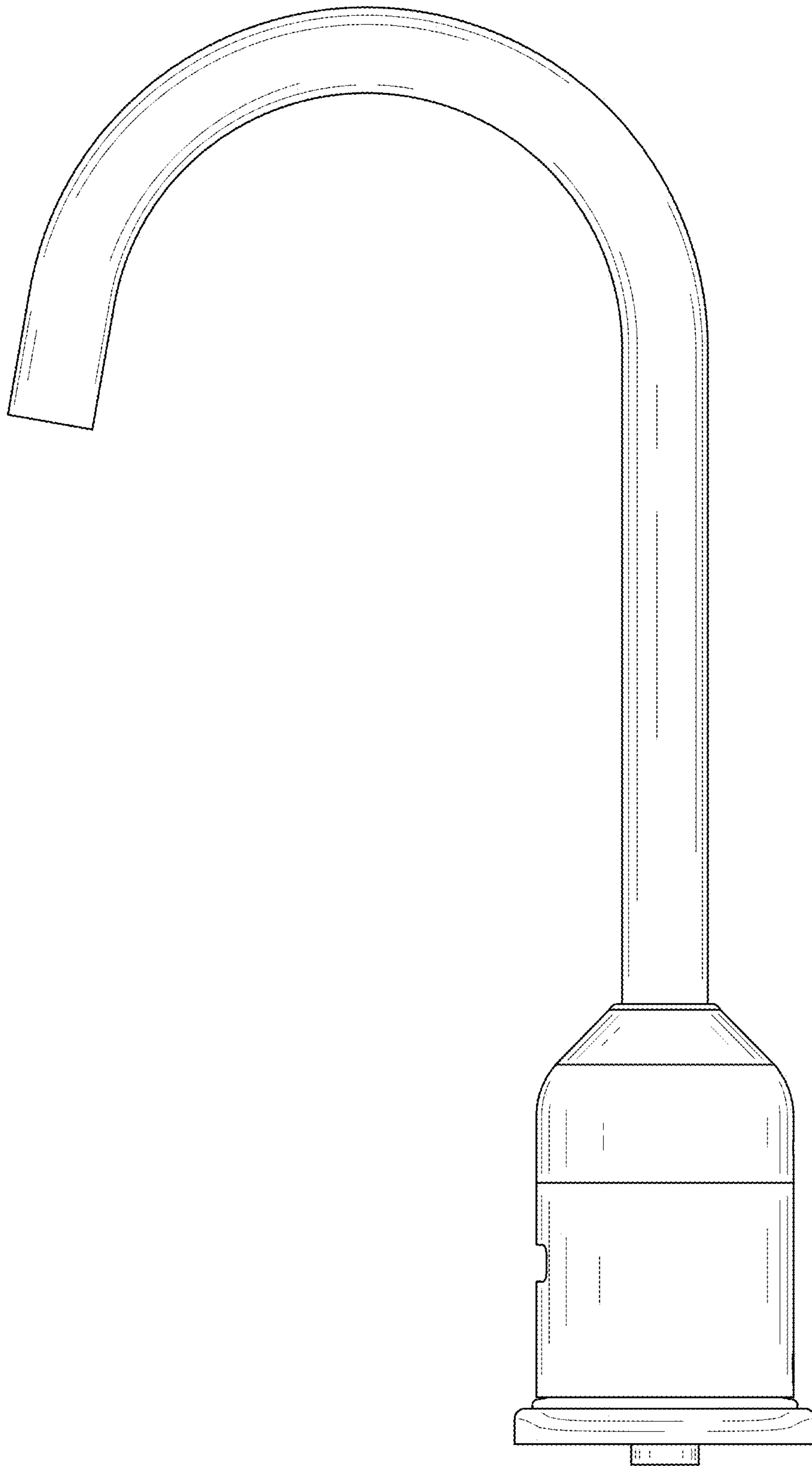


FIG. 14

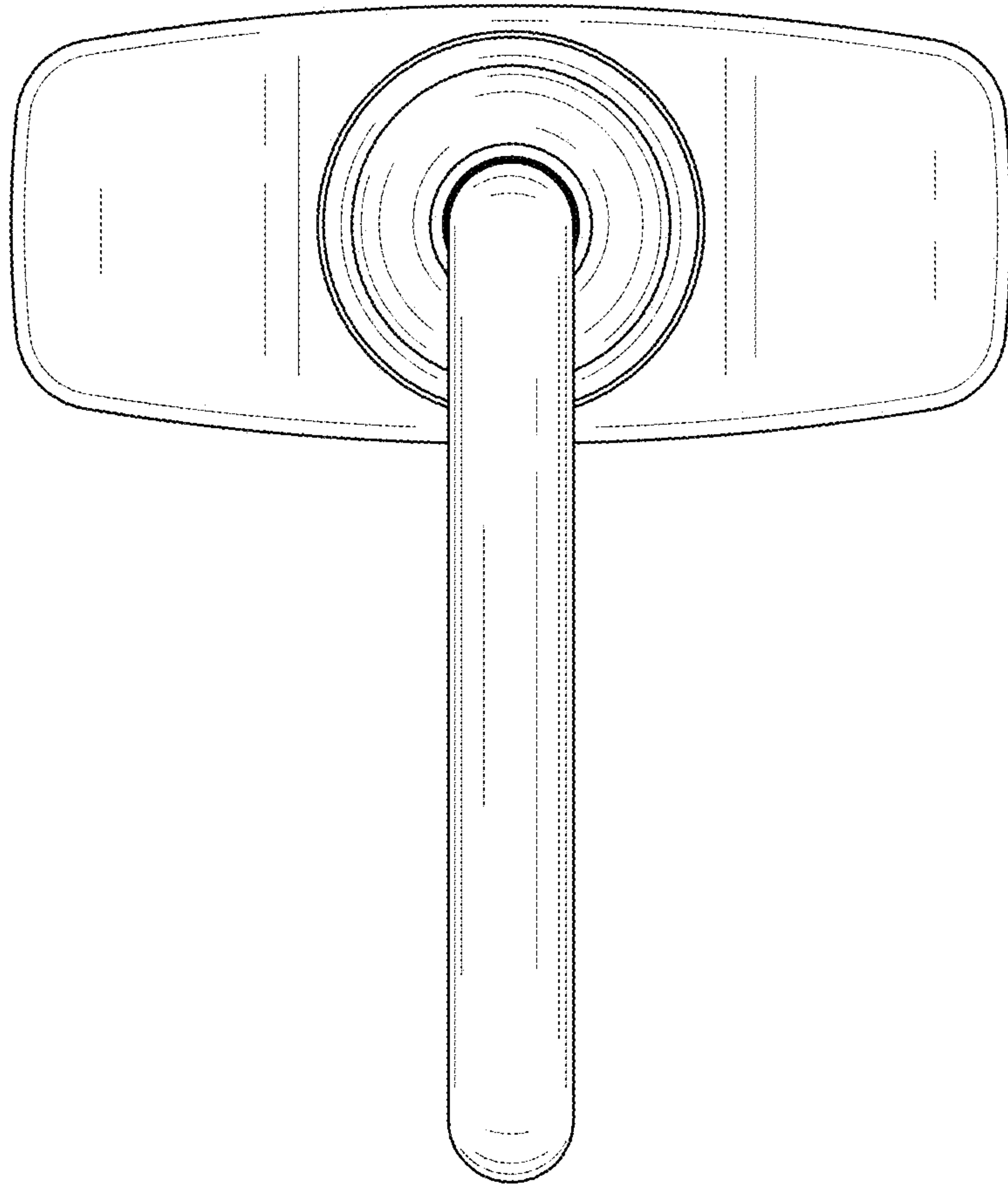


FIG. 15

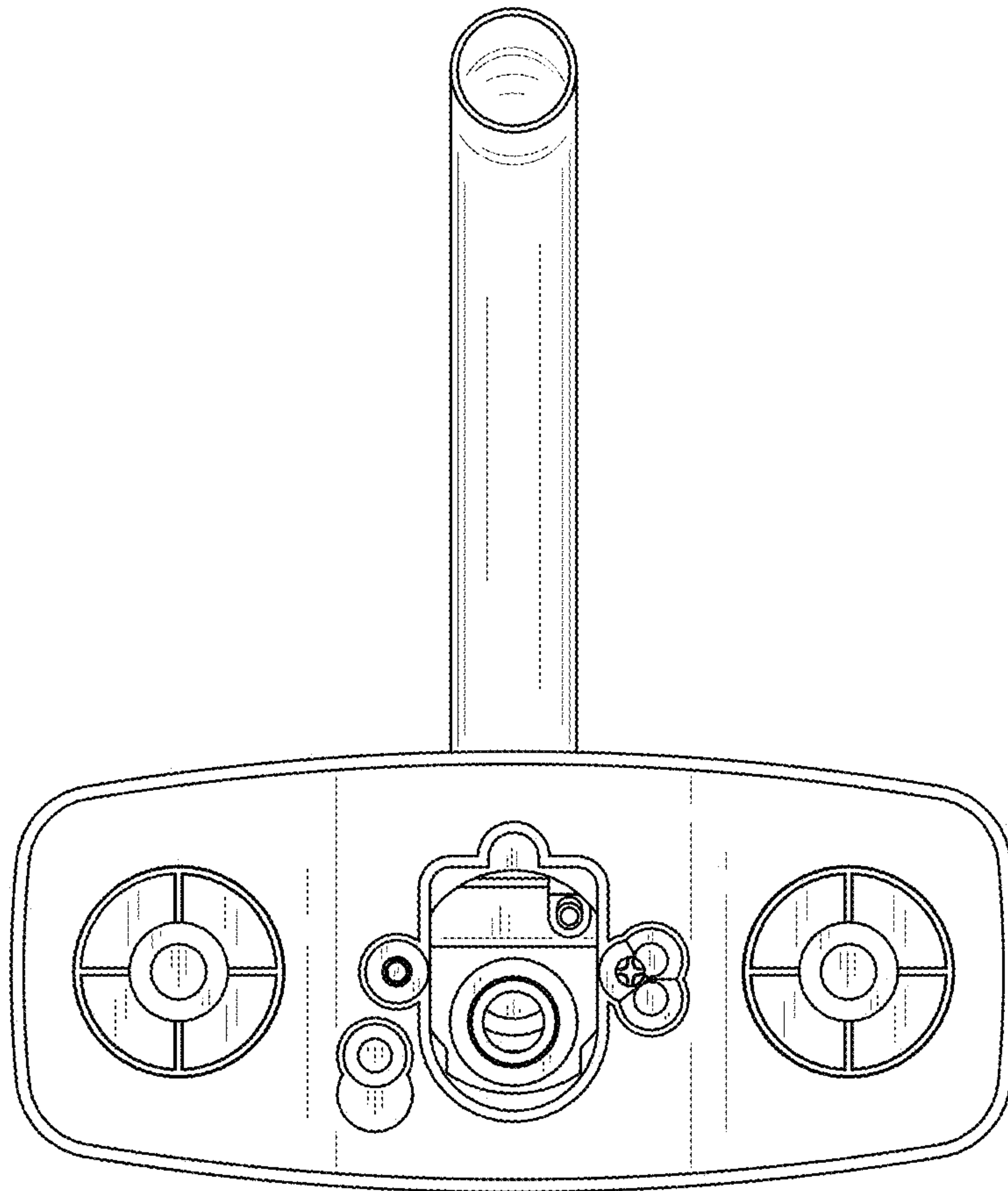


FIG. 16