



US00D989240S

(12) **United States Design Patent** (10) **Patent No.:** **US D989,240 S**  
**Citterio** (45) **Date of Patent:** **\*\* Jun. 13, 2023**

(54) **FAUCET HANDLE**

**FOREIGN PATENT DOCUMENTS**

(71) Applicant: **HANSGROHE SE**, Schiltach (DE)

CN 301982322 S 7/2012

(72) Inventor: **Antonio Citterio**, Milan (IT)

CN 301982340 S 7/2012

(73) Assignee: **Hansgrohe SE**, Schiltach (DE)

CN 302327409 S 2/2013

CN 305441595 S 11/2019

WO D075240-007 7/2011

(\*\*) Term: **15 Years**

\* cited by examiner

(21) Appl. No.: **29/777,869**

*Primary Examiner* — Robert A Delehanty

(74) *Attorney, Agent, or Firm* — Lora J. Graentzdoerffer

(22) Filed: **Apr. 8, 2021**

(57) **CLAIM**

The ornamental design for a faucet handle, as shown and described.

(51) **LOC (14) Cl.** ..... **23-01**

(52) **U.S. Cl.**  
USPC ..... **D23/250**

**DESCRIPTION**

(58) **Field of Classification Search**  
USPC ..... D23/238, 241–243, 249, 239–240, 250,  
D23/252, 254; D8/307–308  
See application file for complete search history.

FIG. 1 is a perspective view of a faucet handle showing our design;  
FIG. 2 is a front elevational view;  
FIG. 3 is a rear elevational view;  
FIG. 4 is a side elevational view;  
FIG. 5 is a side elevational view;  
FIG. 6 is a top plan view; and,  
FIG. 7 is a bottom plan view.

The broken line disclosures in the view represents portions of a faucet handle in which the claimed design is embodied, but which forms no part of the claimed design.

(56) **References Cited**

**U.S. PATENT DOCUMENTS**

D331,620 S \* 12/1992 Bell ..... D23/252  
D498,824 S \* 11/2004 Lin ..... D23/252  
D846,700 S \* 4/2019 L'Henaff ..... D23/238  
D862,660 S \* 10/2019 Kulig ..... D23/252  
D923,151 S \* 6/2021 Park ..... D23/252

**1 Claim, 7 Drawing Sheets**

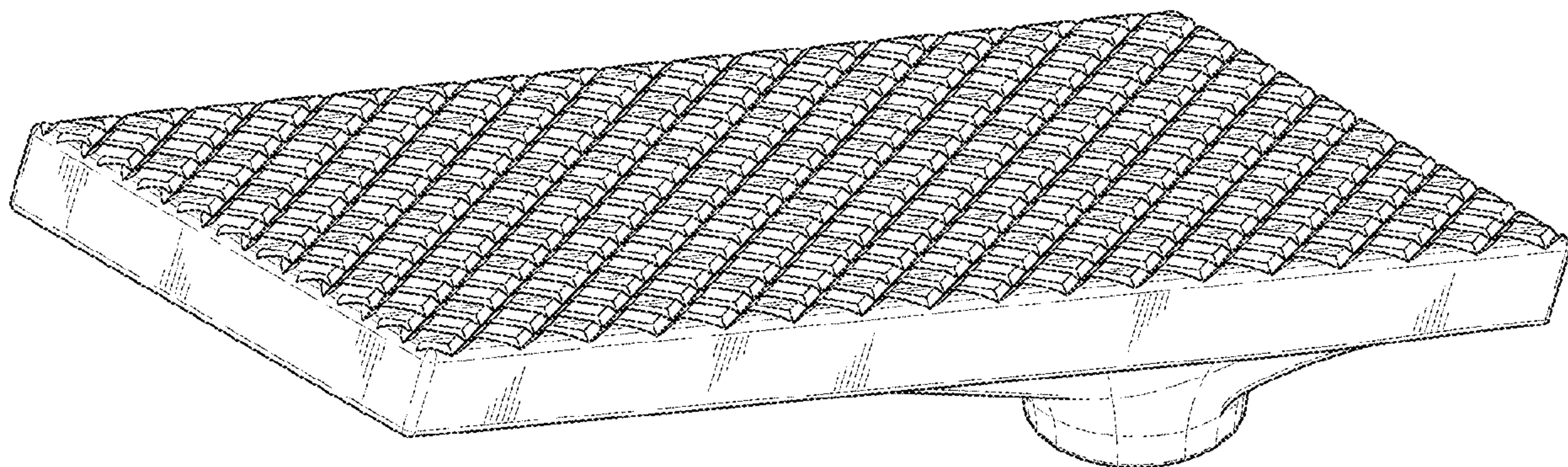


FIG. 1

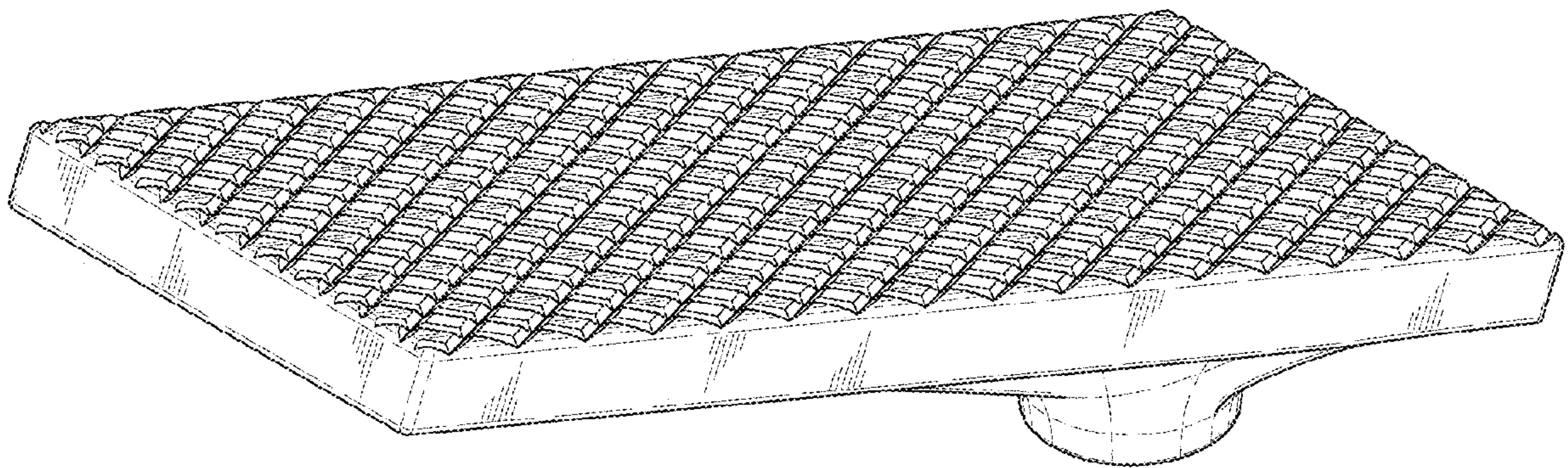


FIG. 2

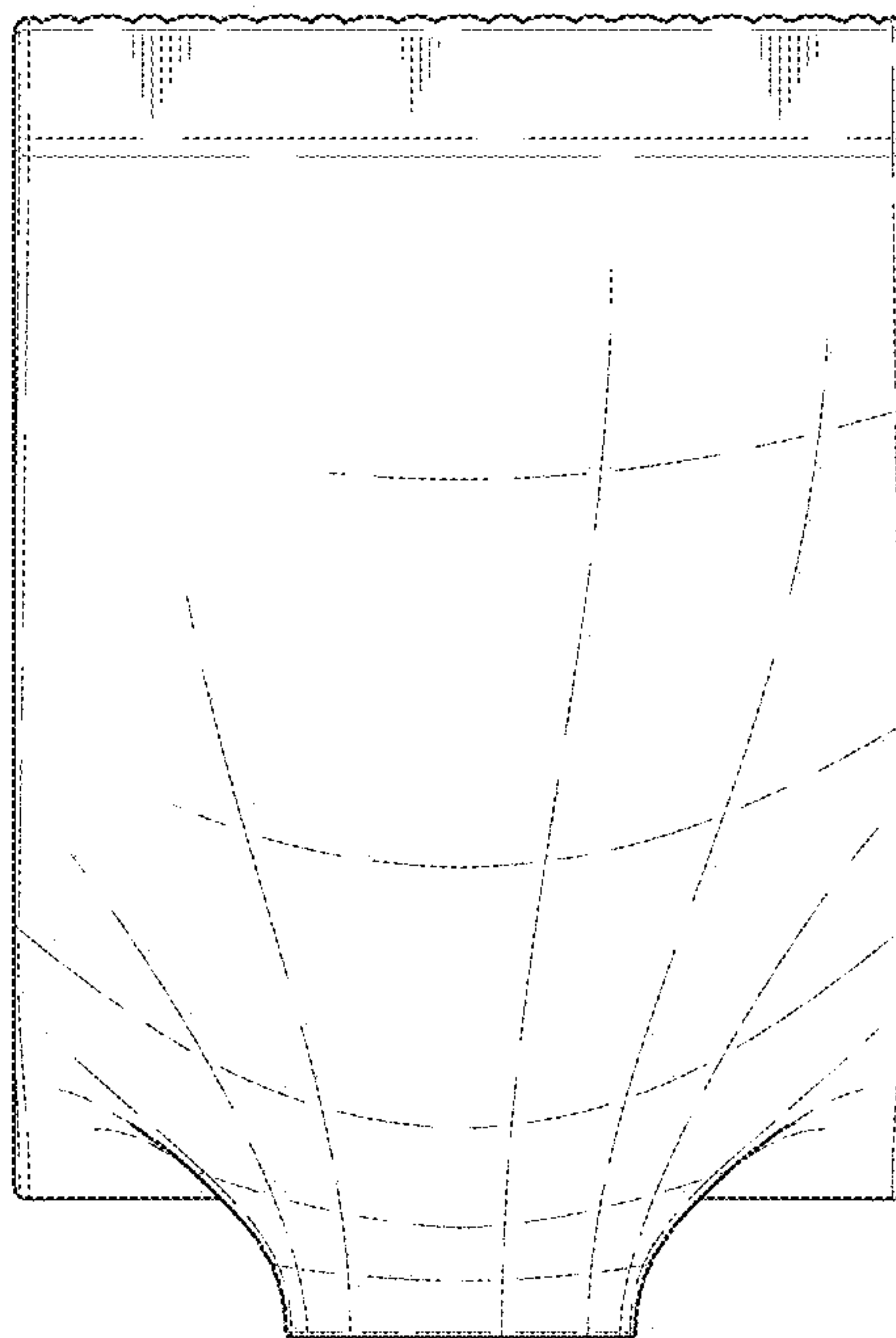




FIG. 3

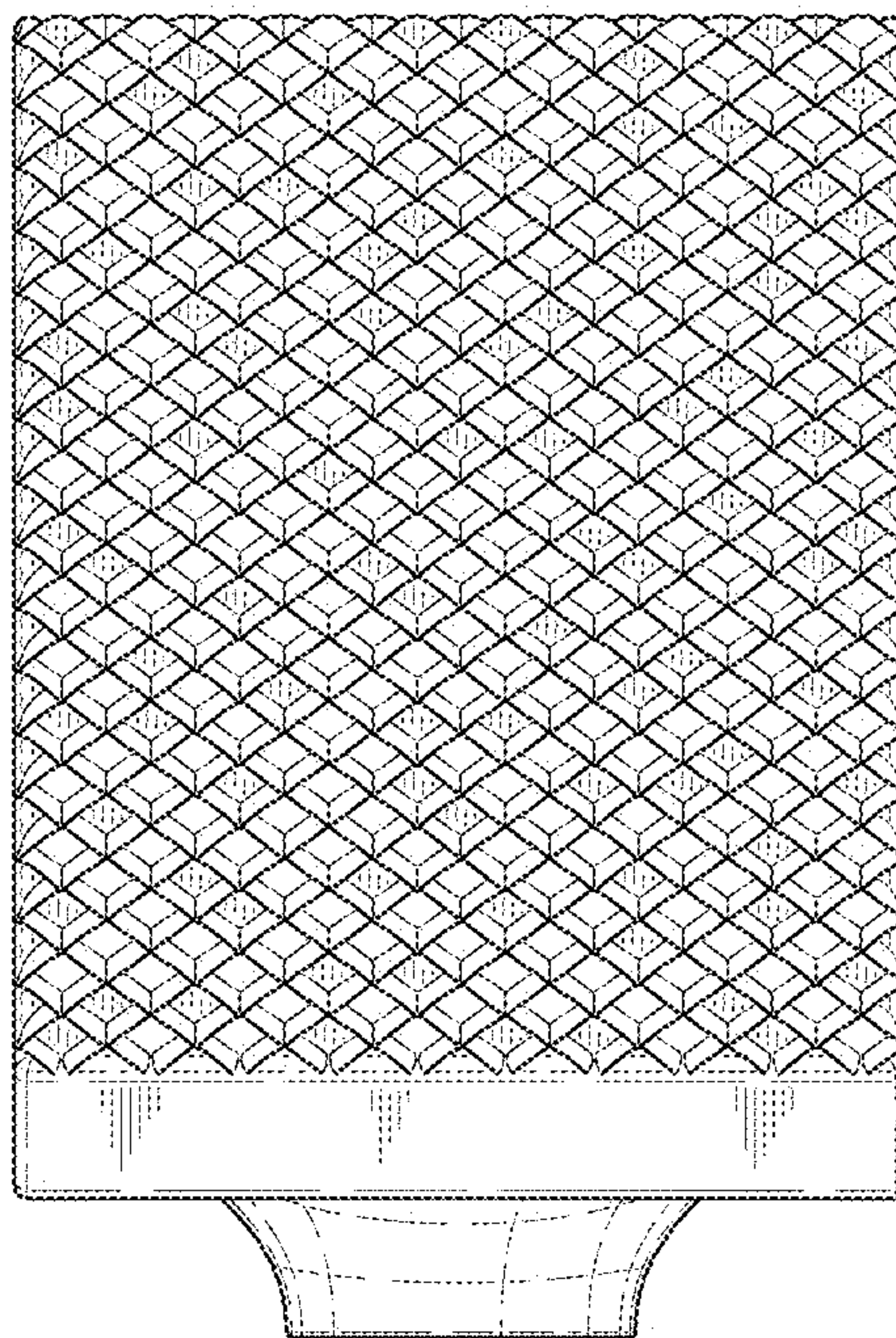


FIG. 4

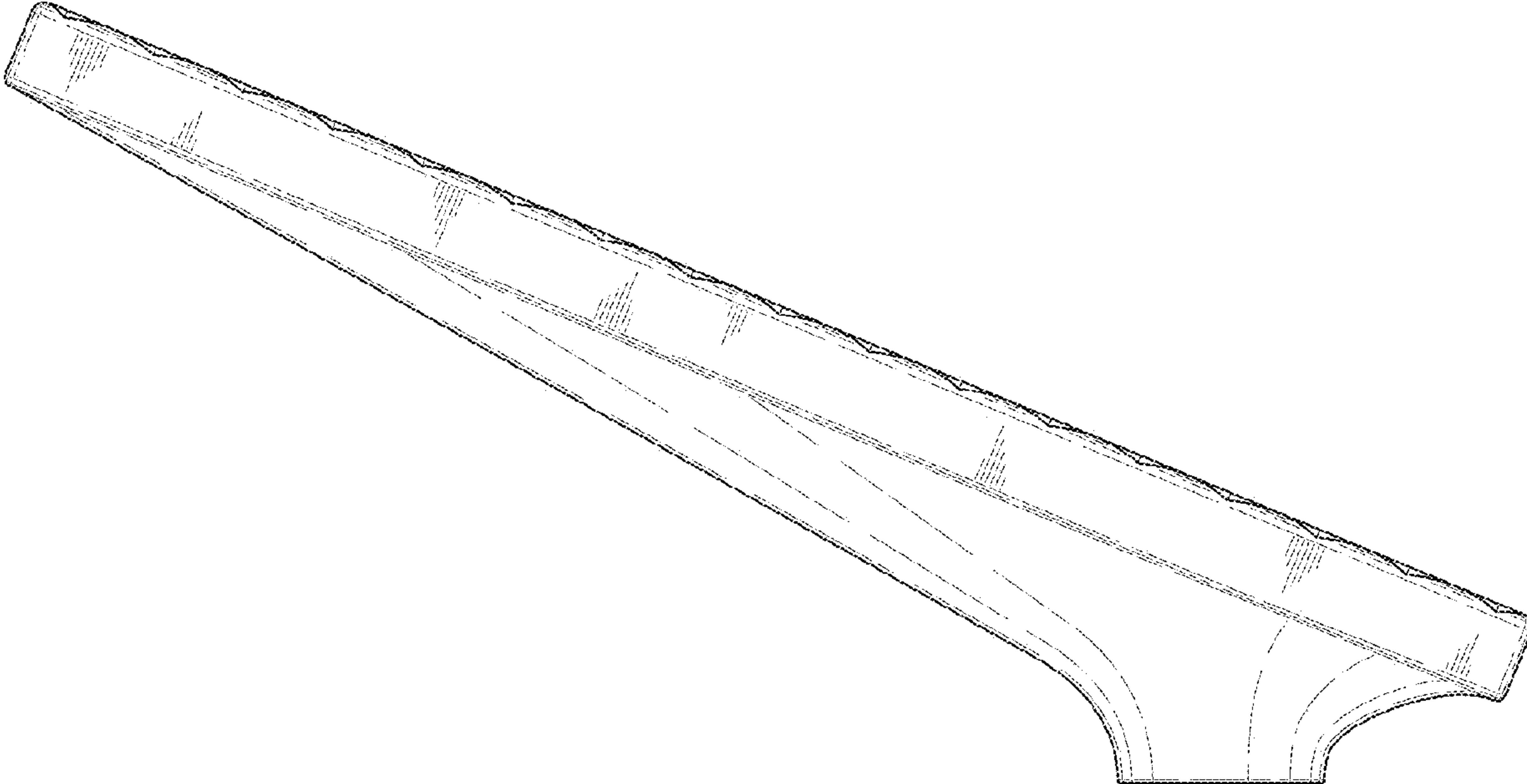


FIG. 5

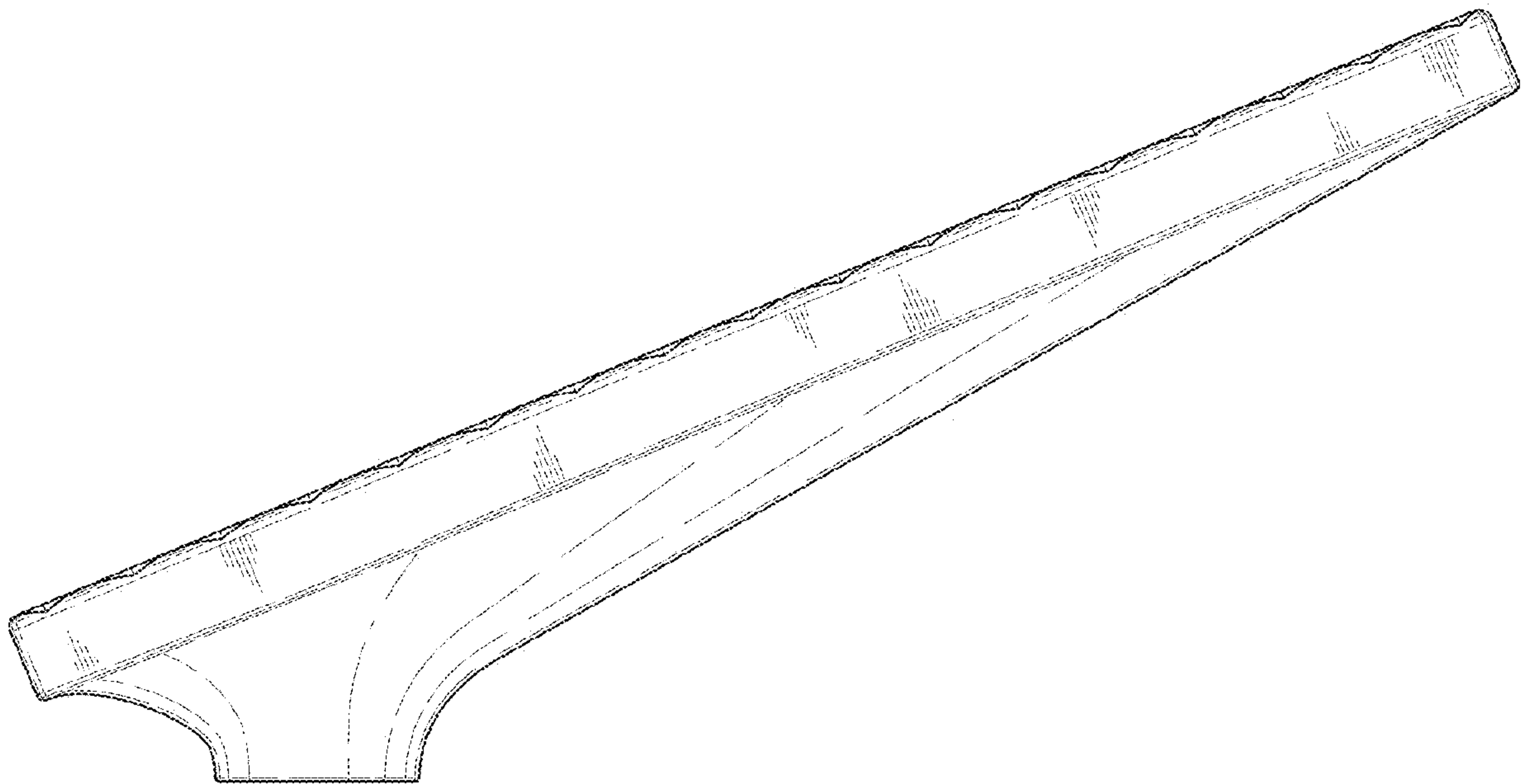




FIG. 6

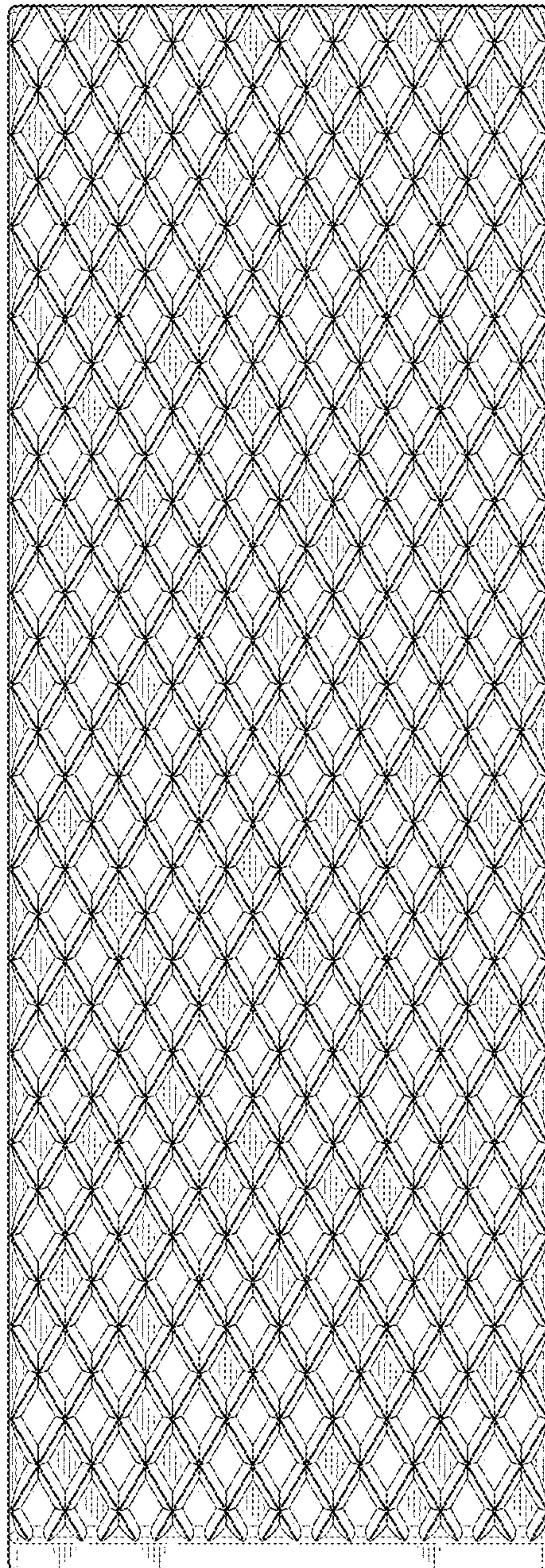


FIG. 7

