



US00D989239S

(12) **United States Design Patent**
Zhao

(10) **Patent No.:** **US D989,239 S**
(45) **Date of Patent:** **** Jun. 13, 2023**

(54) **FAUCET**

FOREIGN PATENT DOCUMENTS

(71) Applicant: **Xiamen Weco Kitchen and Bath Industry Co., Ltd**, Fujian (CN)

CN 306384404 * 3/2021
CN 306481704 * 4/2021

(72) Inventor: **Wei-Dong Zhao**, Xiamen (CN)

OTHER PUBLICATIONS

(73) Assignee: **Xiamen Weco Kitchen and Bath Industry Co., Ltd**, Fujian (CN)

3-Hole 8 inch 2-Handle Brushed Nickel Widespread Bathroom Faucets, first available Apr. 10, 2018[online], [site visited Jan. 10, 2023]. Available from internet, URL:<https://www.amazon.com/dp/B07C2WBPTR?th=1> (Year: 2018).*

(**) Term: **15 Years**

CREA Widespread Bathroom Faucet, first available Oct. 9, 2017[online], [site visited Jan. 11, 2023]. Available from internet, URL:<https://www.amazon.com/dp/B0769LTDQ5> (Year: 2017).*

(21) Appl. No.: **29/795,662**

(22) Filed: **Jun. 19, 2021**

(51) **LOC (14) Cl.** **23-01**

* cited by examiner

(52) **U.S. Cl.**
USPC **D23/242**

Primary Examiner — David G Muller
Assistant Examiner — Jamaal Rasheed

(58) **Field of Classification Search**
USPC D23/238–244, 252, 254–255, 257, 499
CPC F16K 31/602; F16K 31/605; F16K 31/607;
E03C 1/0412

(74) *Attorney, Agent, or Firm* — J.H. Lin Patent Law P.C.; John H. Lin

See application file for complete search history.

(57) **CLAIM**

The ornamental design for a faucet, as shown and described.

(56) **References Cited**

DESCRIPTION

U.S. PATENT DOCUMENTS

D366,517 S *	1/1996	Doughty	D23/242
D441,434 S *	5/2001	Dretzka	D23/255
D442,676 S *	5/2001	Dretzka	D23/255
D447,541 S *	9/2001	Dretzka	D23/242
D460,523 S *	7/2002	Green	D23/241
D592,286 S *	5/2009	Berberet	D23/255
D690,397 S *	9/2013	Flowers	D23/255
D791,279 S *	7/2017	Fritz	D23/242
D797,248 S *	9/2017	Schaubach	D23/242
D865,125 S *	10/2019	Zeng	D23/242
D865,126 S *	10/2019	Zeng	D23/242
D926,938 S *	8/2021	Zeng	D23/242
D930,794 S *	9/2021	Liang	D23/242
D963,117 S *	9/2022	Xie	D23/242

FIG. 1 is a front elevation view of a faucet, showing my new design;

FIG. 2 is a rear elevation view thereof;

FIG. 3 is a right elevation view thereof;

FIG. 4 is a left elevation view thereof;

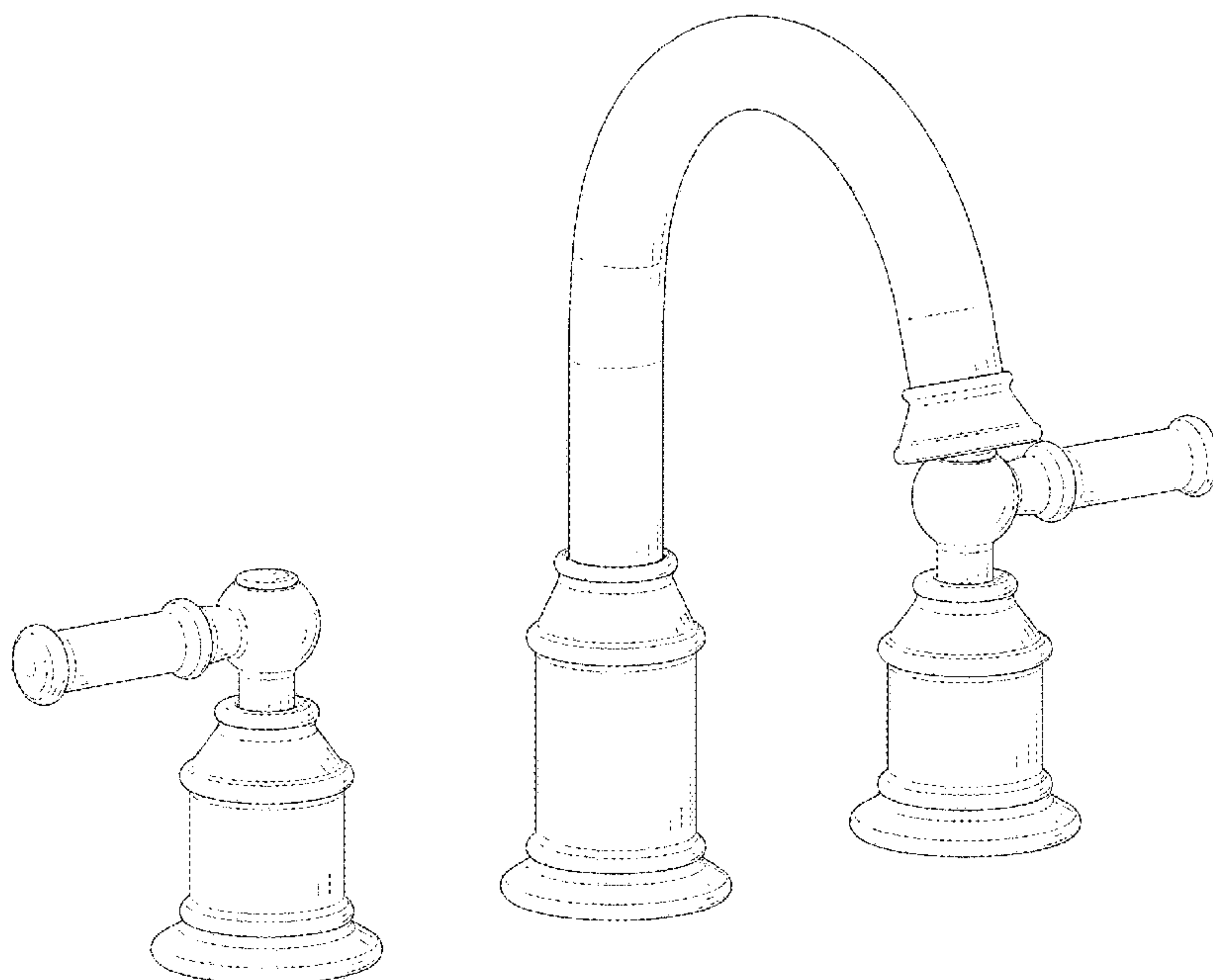
FIG. 5 is a top plan view thereof;

FIG. 6 is a bottom plan view thereof; and,

FIG. 7 is a perspective view thereof.

The broken lines in the FIGURES show portions of the faucet which form no part of the claimed design.

1 Claim, 7 Drawing Sheets



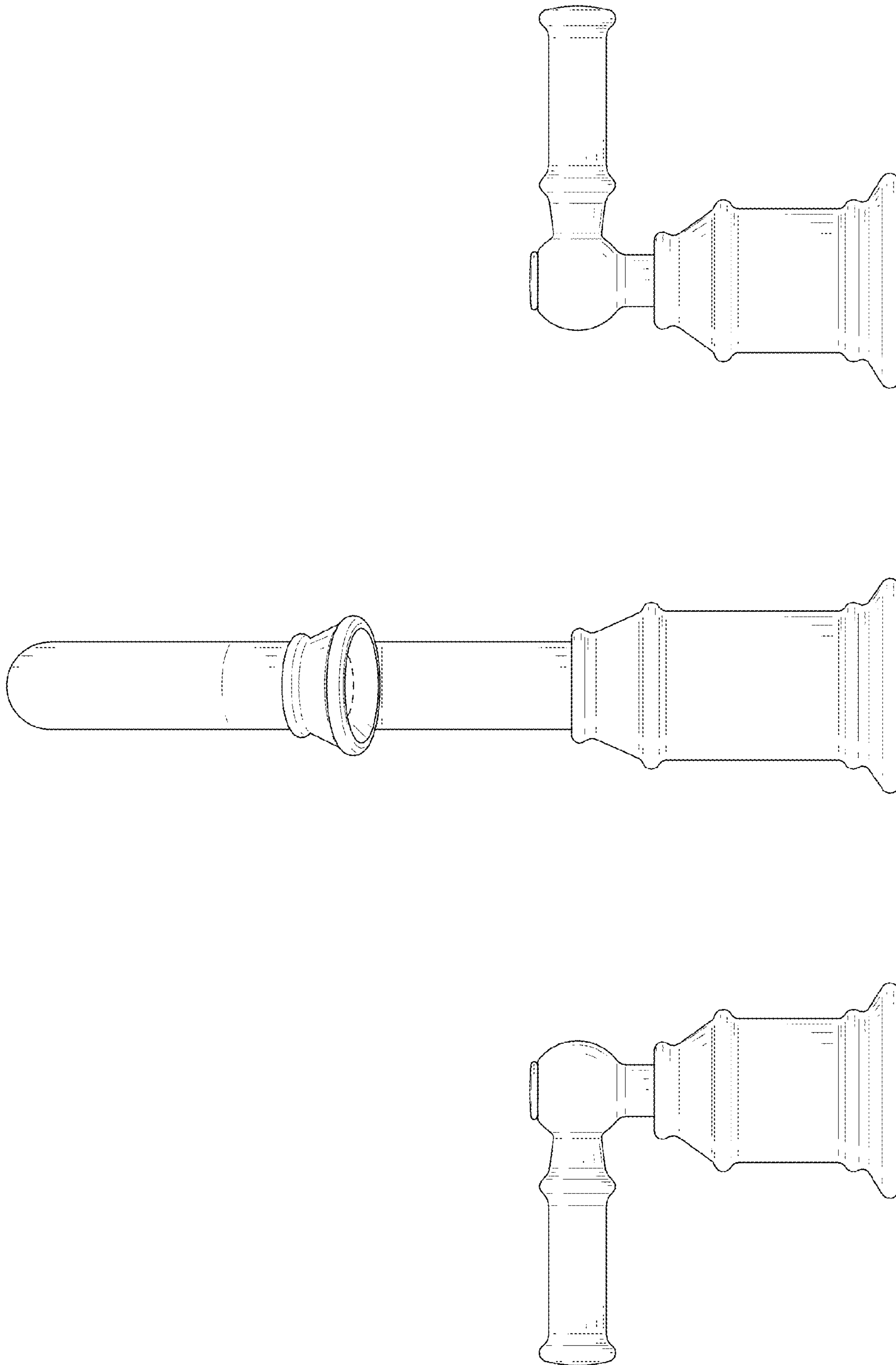


FIG. 1

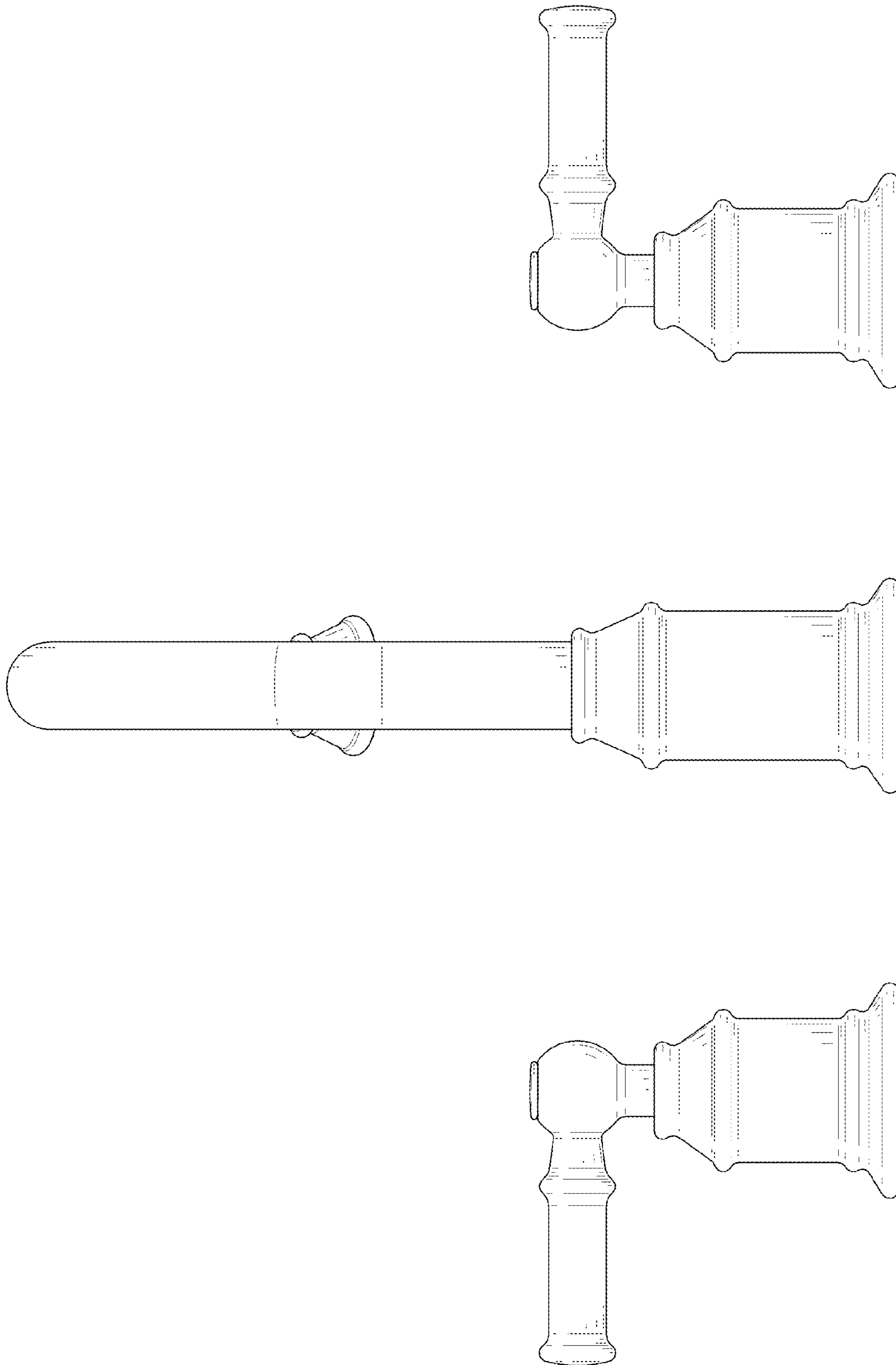


FIG. 2

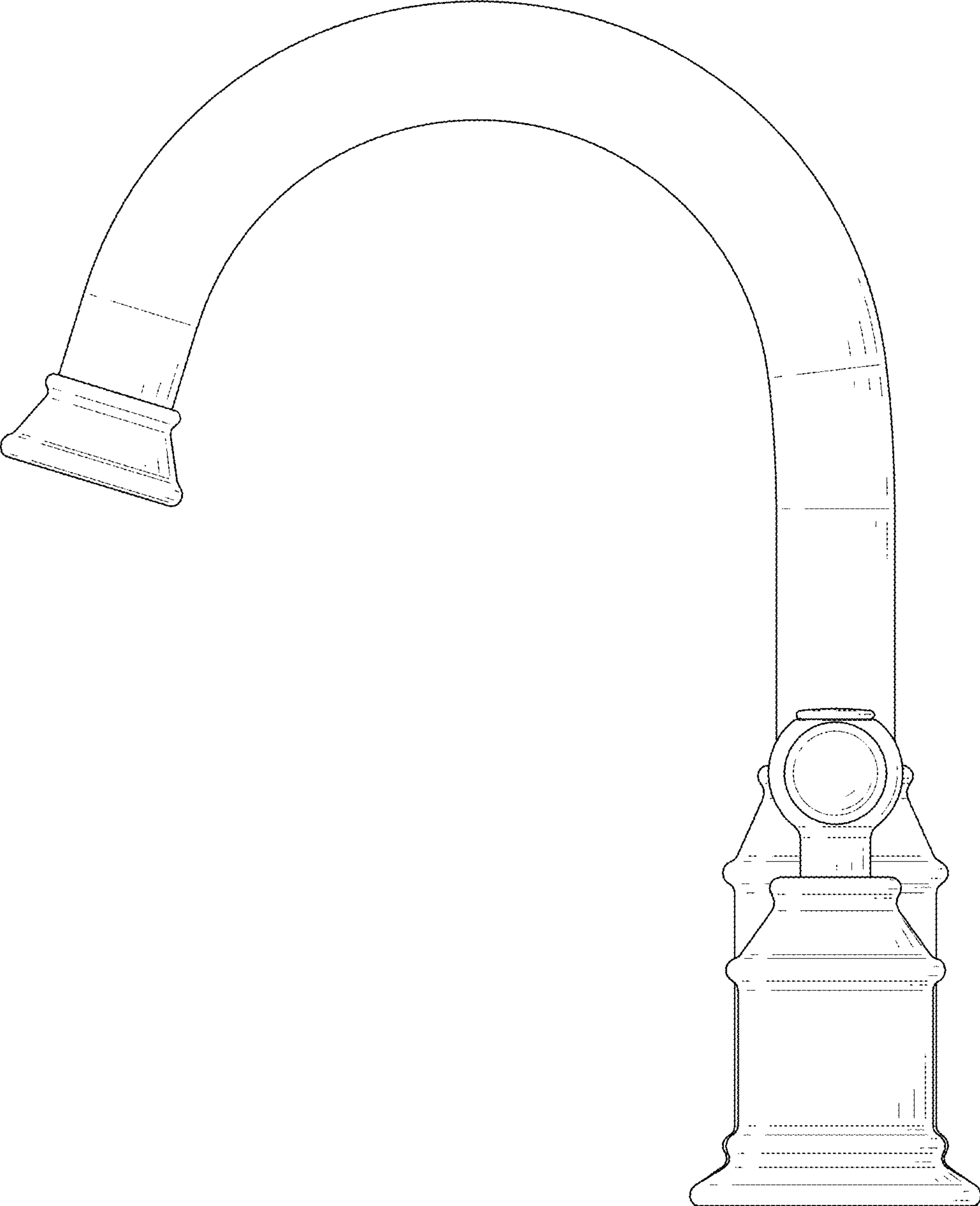


FIG. 3

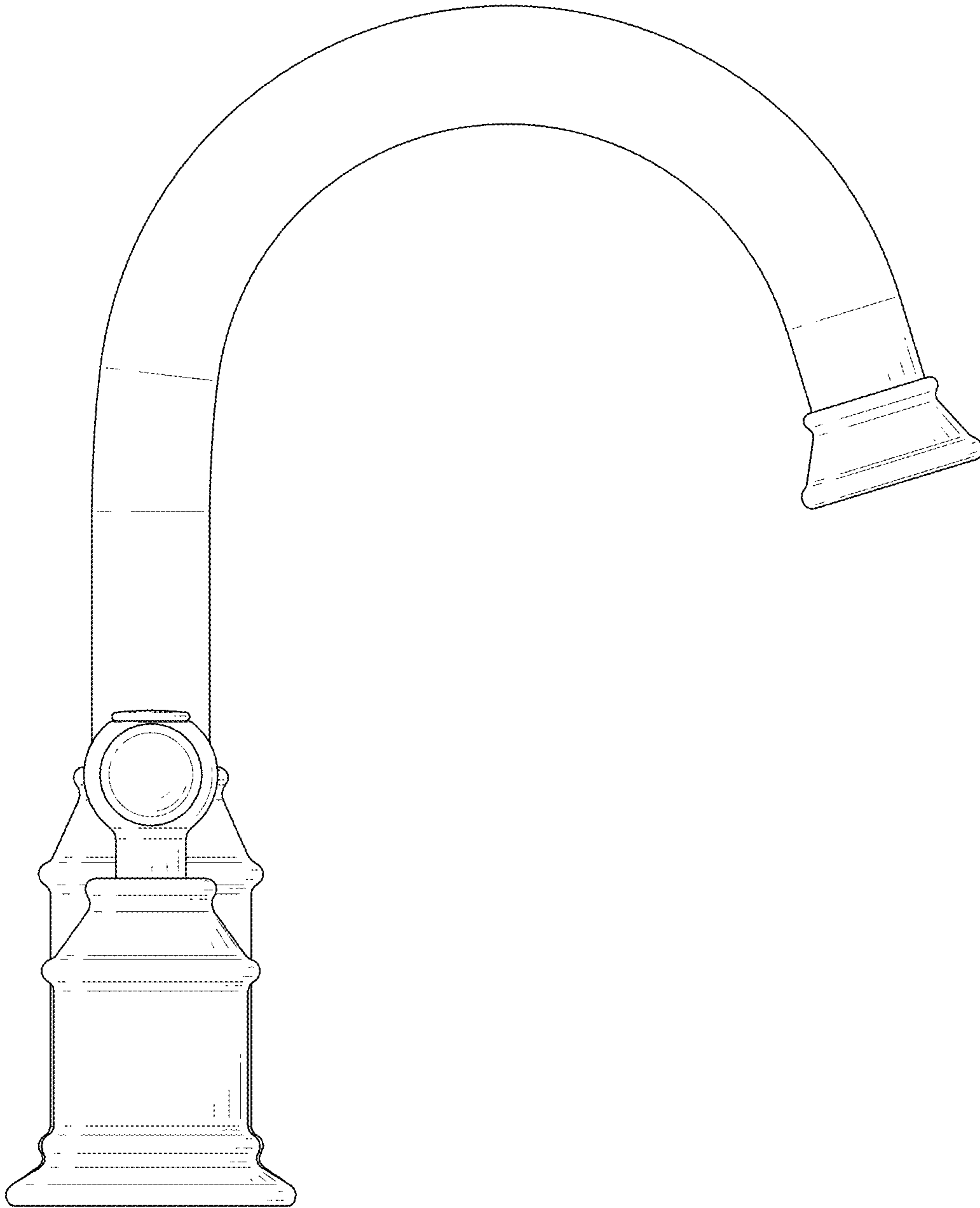


FIG. 4

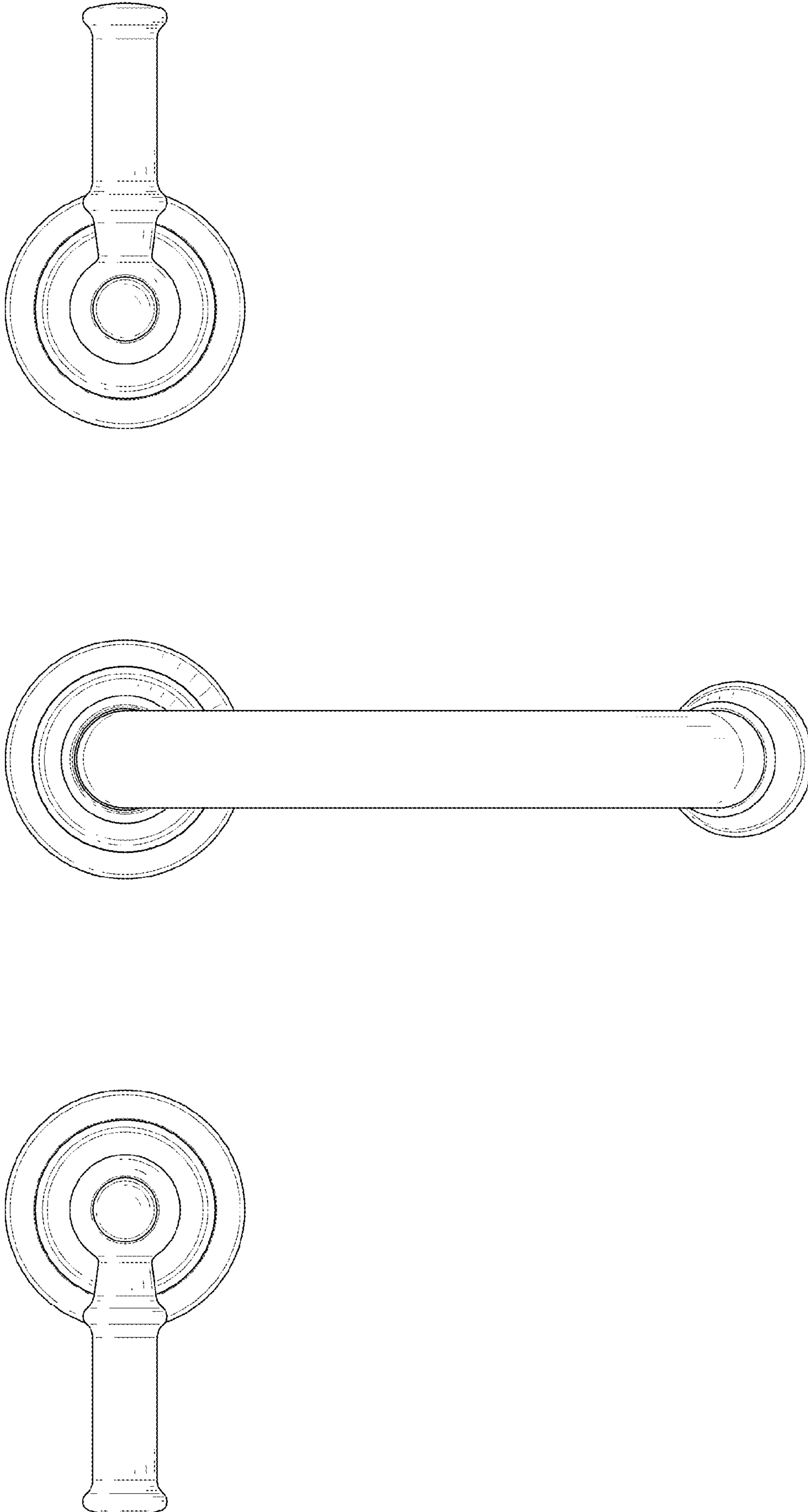


FIG. 5

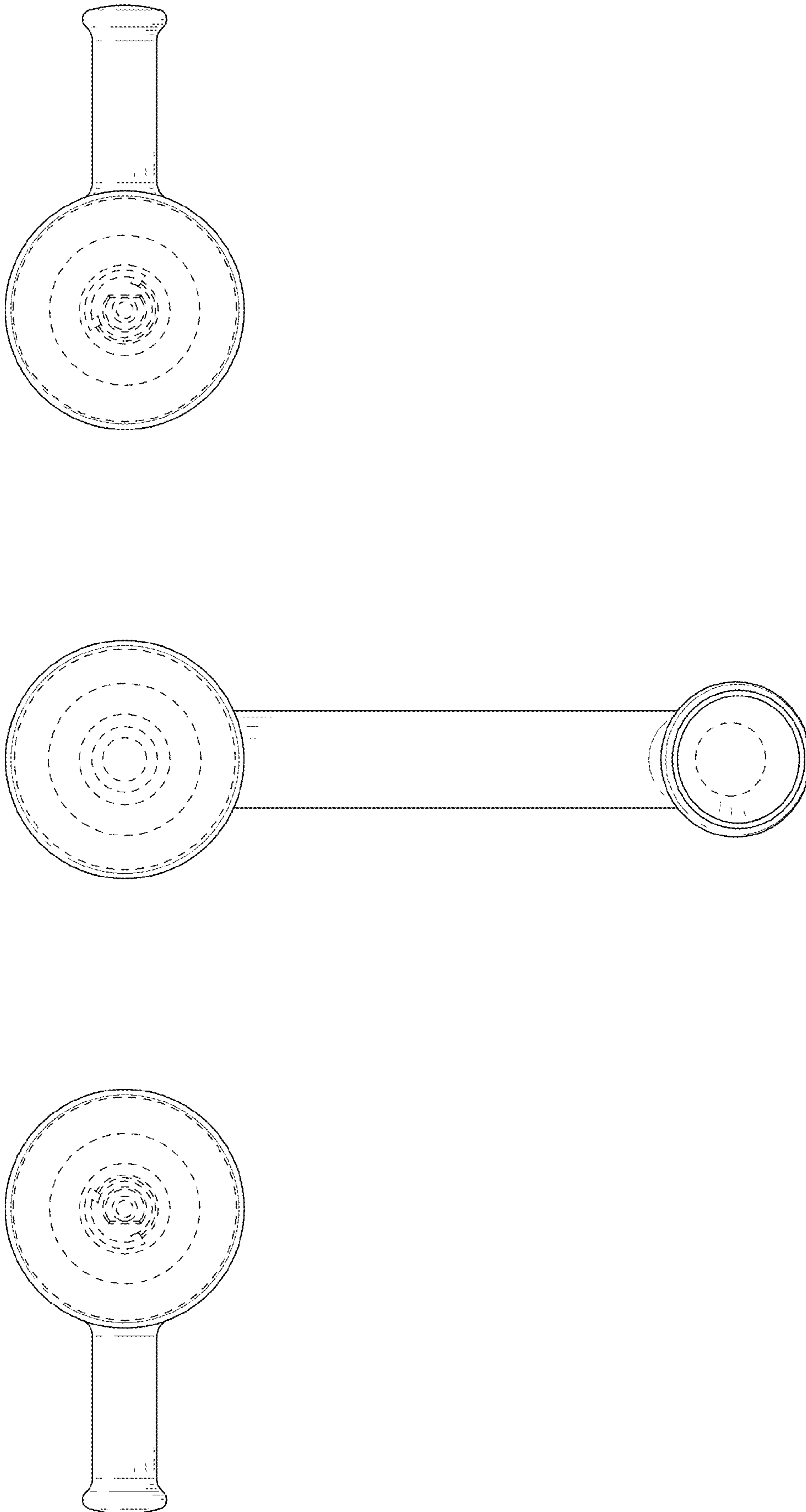


FIG. 6

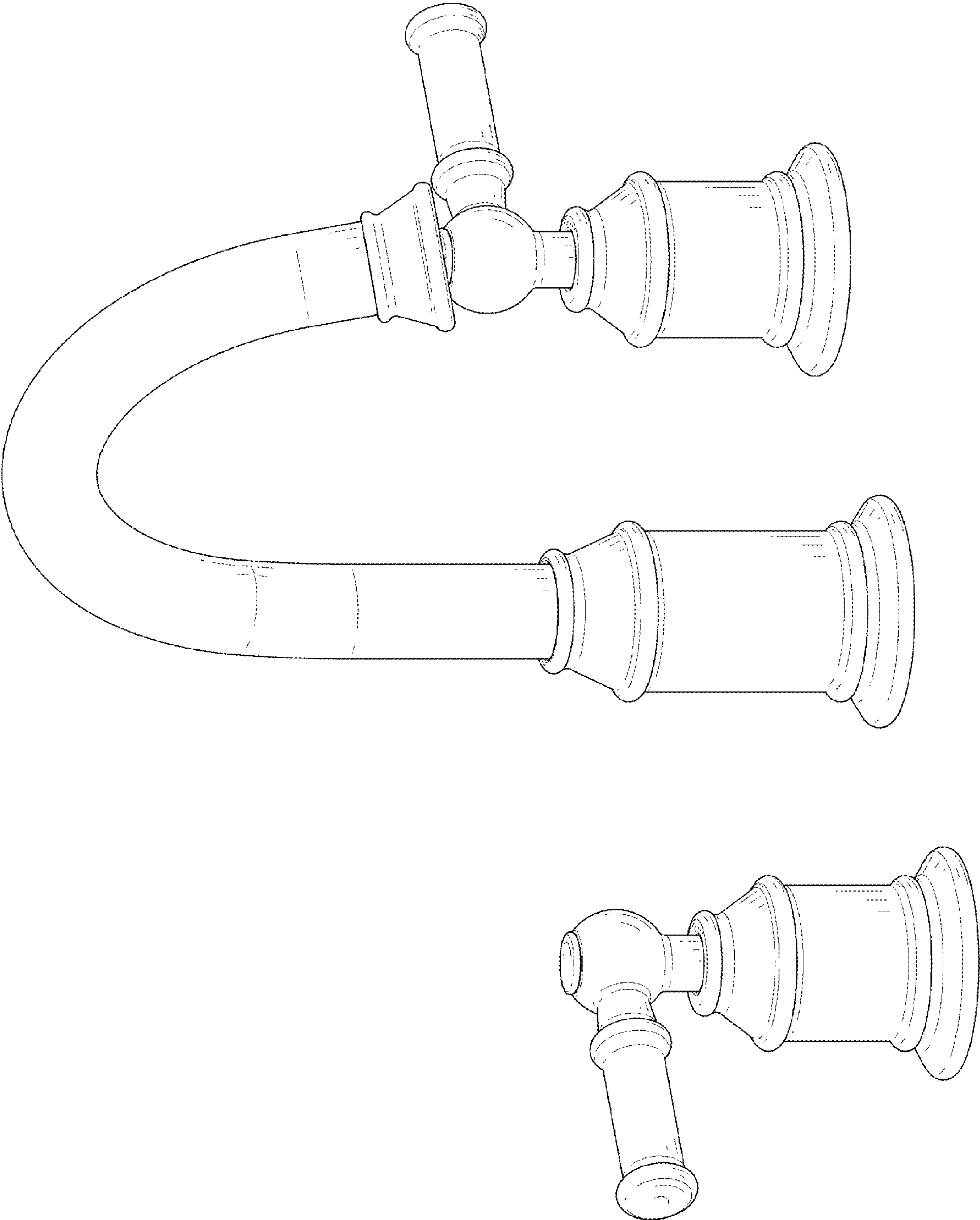


FIG. 7