



US00D989238S

(12) **United States Design Patent**  
**Qiu**

(10) **Patent No.:** **US D989,238 S**  
(45) **Date of Patent:** **\*\* Jun. 13, 2023**

(54) **KITCHEN FAUCET**

(71) Applicant: **WENZHOU FURUISI BUILDING MATERIALS CO., LTD.**, Wenzhou (CN)

(72) Inventor: **Chunhe Qiu**, Wenzhou (CN)

(73) Assignee: **WENZHOU FURUISI BUILDING MATERIALS CO., LTD.**, Wenzhou (CN)

(\*\*) Term: **15 Years**

(21) Appl. No.: **29/853,342**

(22) Filed: **Sep. 15, 2022**

**Related U.S. Application Data**

(63) Continuation-in-part of application No. 29/819,783, filed on Dec. 17, 2021, now Pat. No. Des. 965,110.

(51) **LOC (14) Cl.** ..... **23-01**

(52) **U.S. Cl.**  
USPC ..... **D23/238**

(58) **Field of Classification Search**  
USPC ..... D23/238, 250, 252, 254–255, 257, 226;  
D8/307–308

See application file for complete search history.

(56) **References Cited**

U.S. PATENT DOCUMENTS

D823,436 S *	7/2018	He	.....	D23/238
D913,429 S *	3/2021	Seum	.....	D23/238
D965,110 S *	9/2022	Qiu	.....	D23/238
D967,934 S *	10/2022	Kulig	.....	D23/238

\* cited by examiner

*Primary Examiner* — Robert A Delehanty

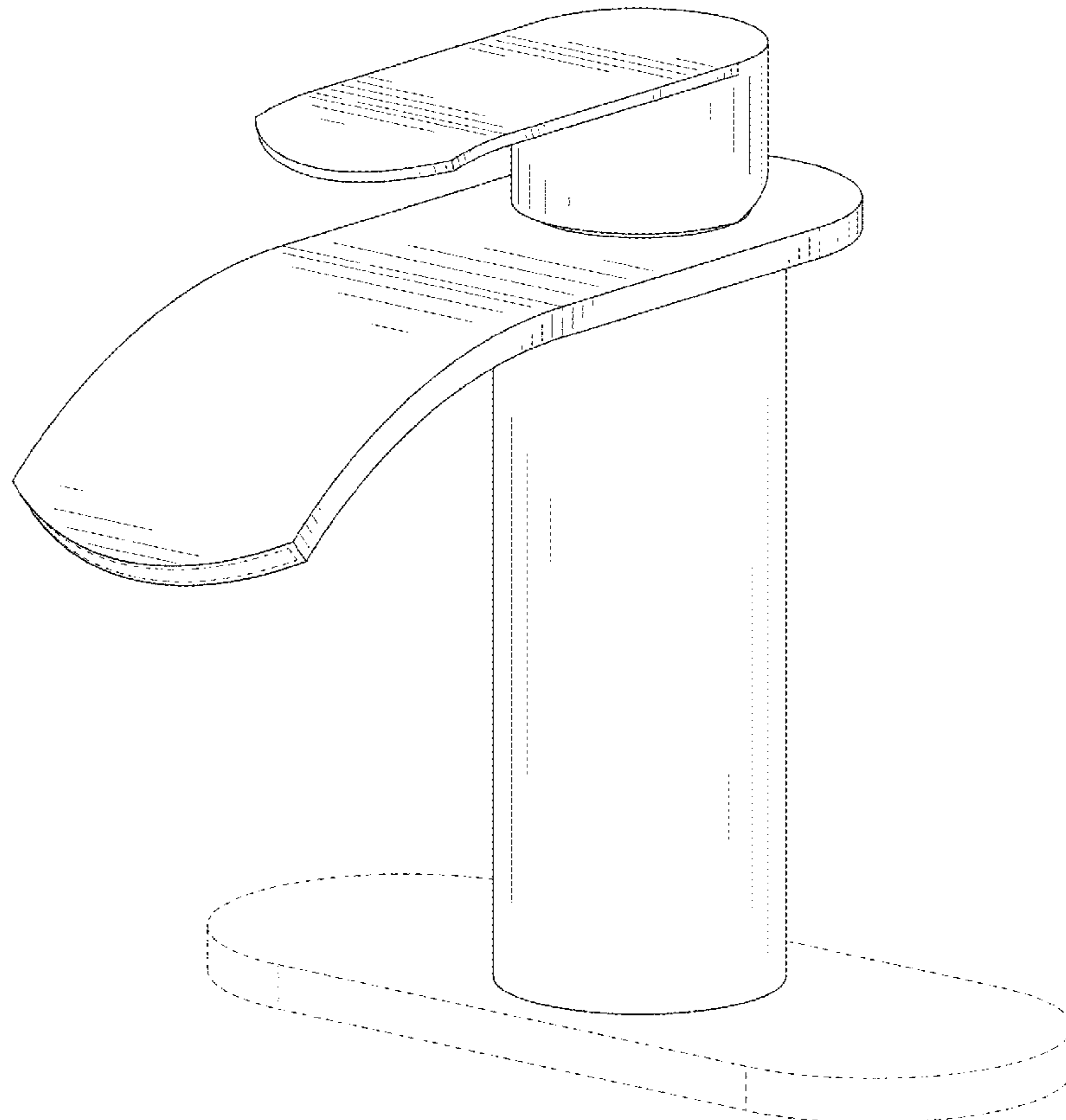
(57) **CLAIM**

The ornamental design for a kitchen faucet, as shown and described.

**DESCRIPTION**

FIG. 1 is a perspective view of a kitchen faucet showing my new design;  
FIG. 2 is another perspective view thereof;  
FIG. 3 is a front elevational view thereof;  
FIG. 4 is a rear elevational view thereof;  
FIG. 5 is a left side elevational view thereof;  
FIG. 6 is a right side elevational view thereof;  
FIG. 7 is a top plan view thereof;  
FIG. 8 is a bottom plan view thereof;  
FIG. 9 is a perspective view of the kitchen faucet where the kitchen faucet is in a first configuration of use; and,  
FIG. 10 is a perspective view of the kitchen faucet where the kitchen faucet is in a second configuration of use.  
The broken lines in the drawings depict portions of the kitchen faucet that form no part of the claimed design.

**1 Claim, 10 Drawing Sheets**



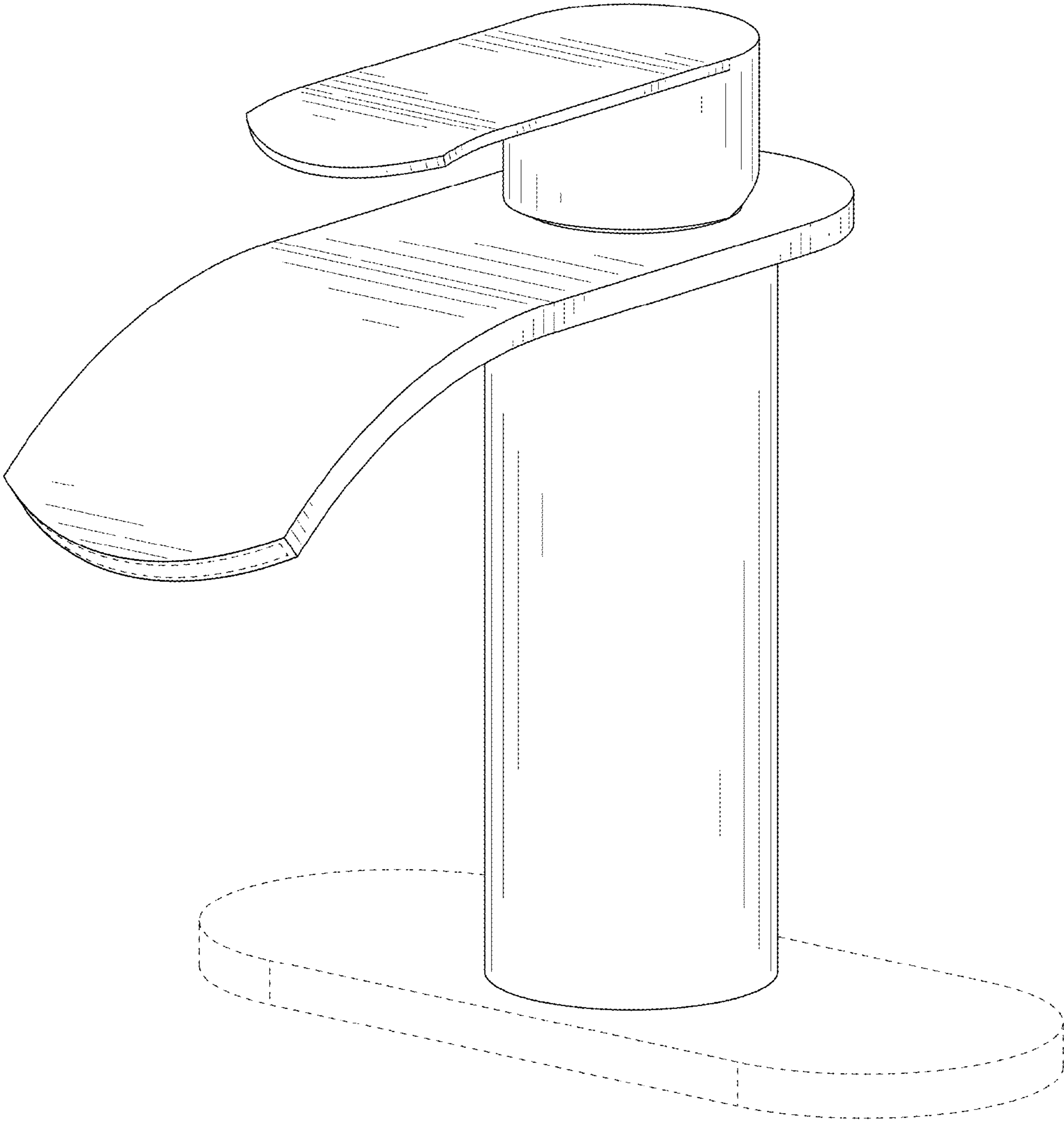


FIG. 1

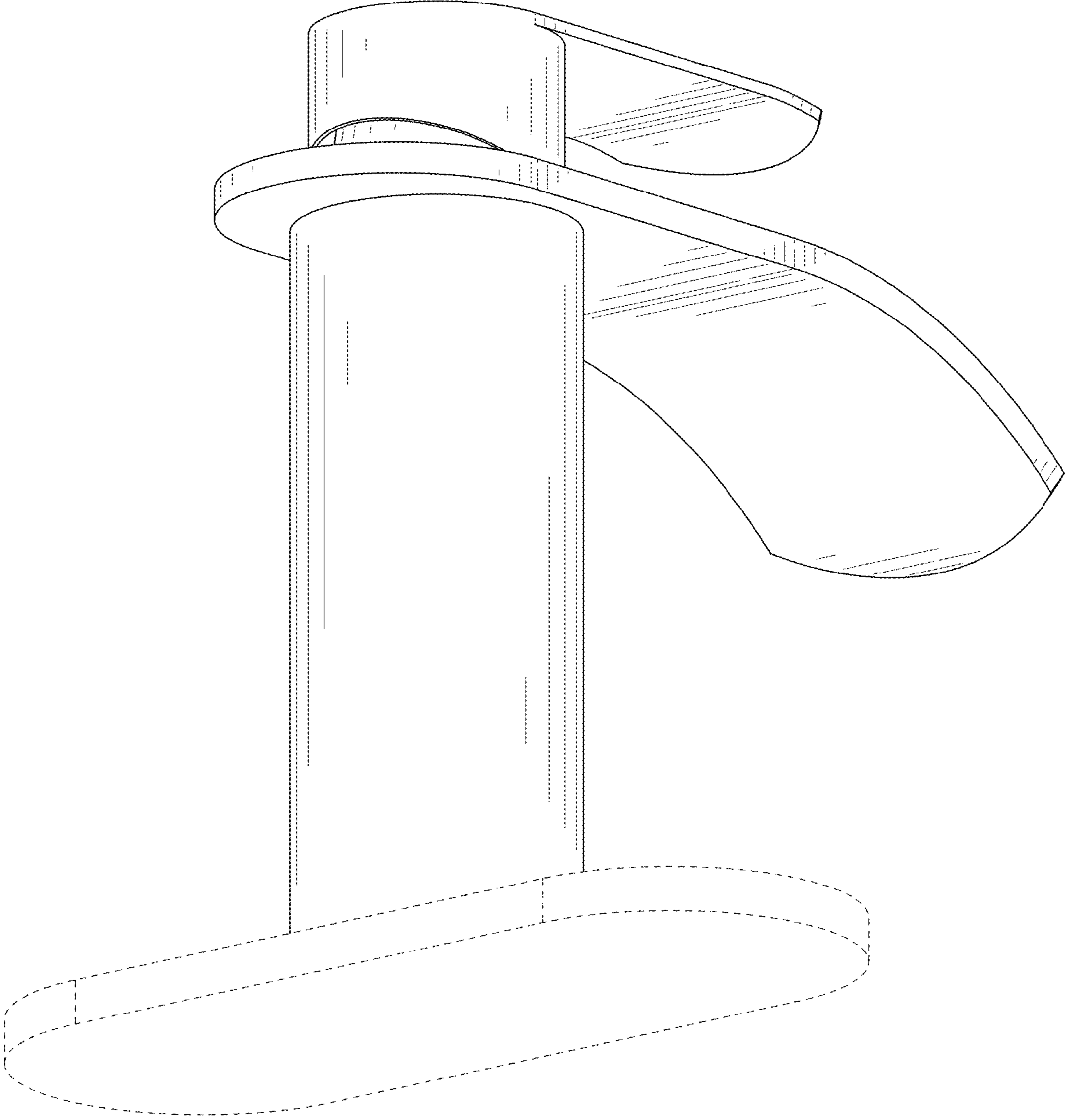


FIG. 2

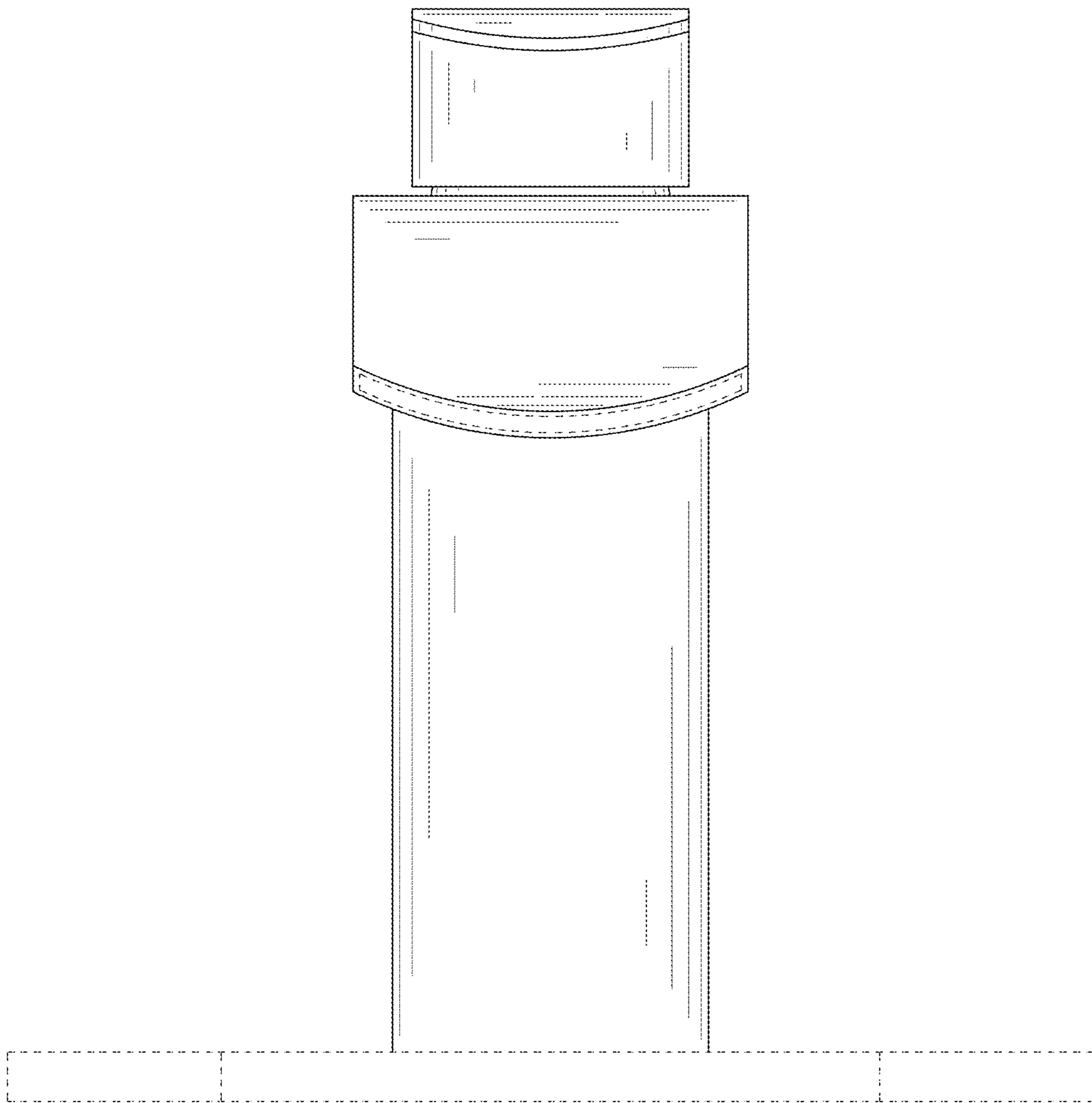


FIG. 3

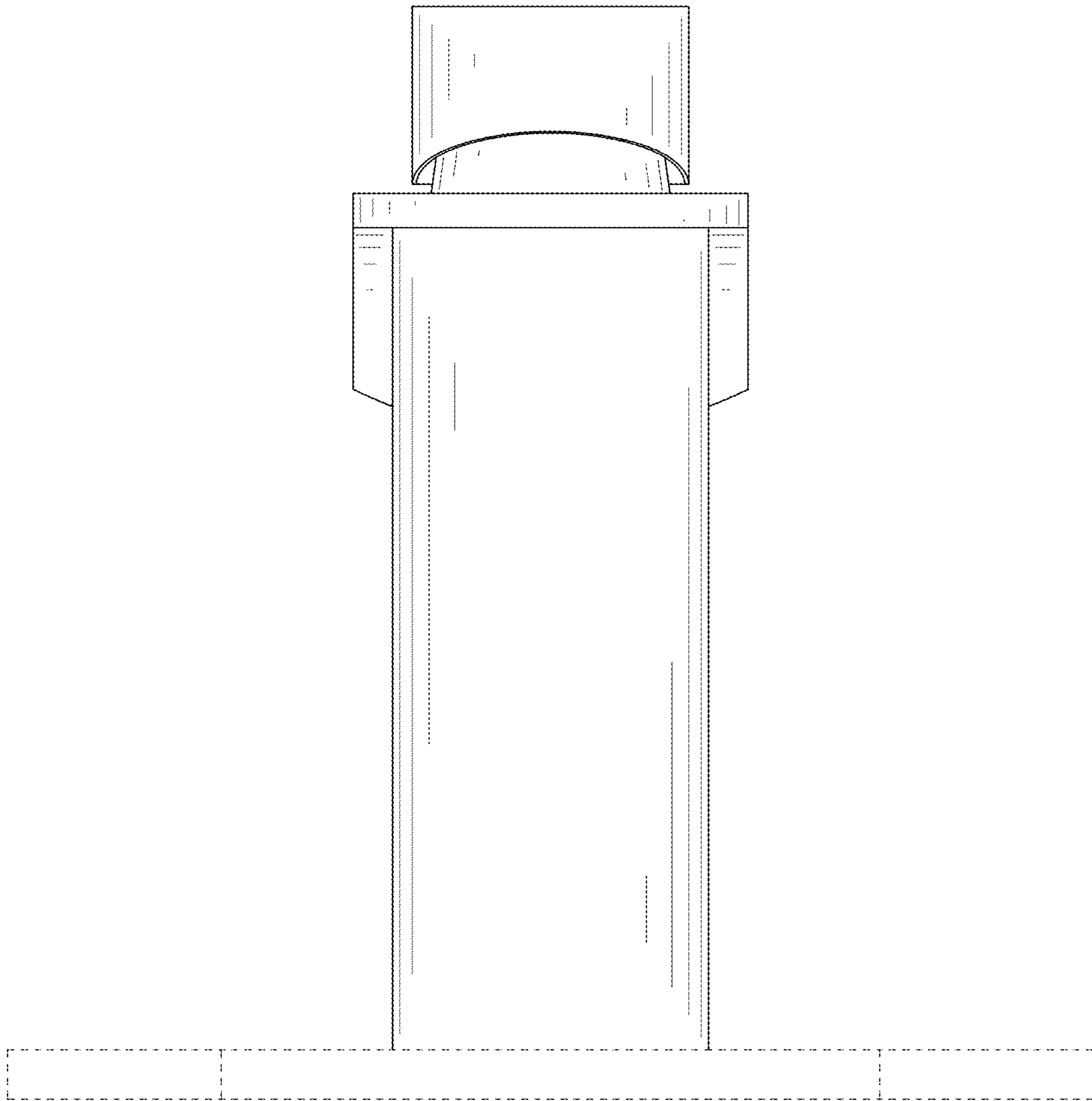


FIG. 4

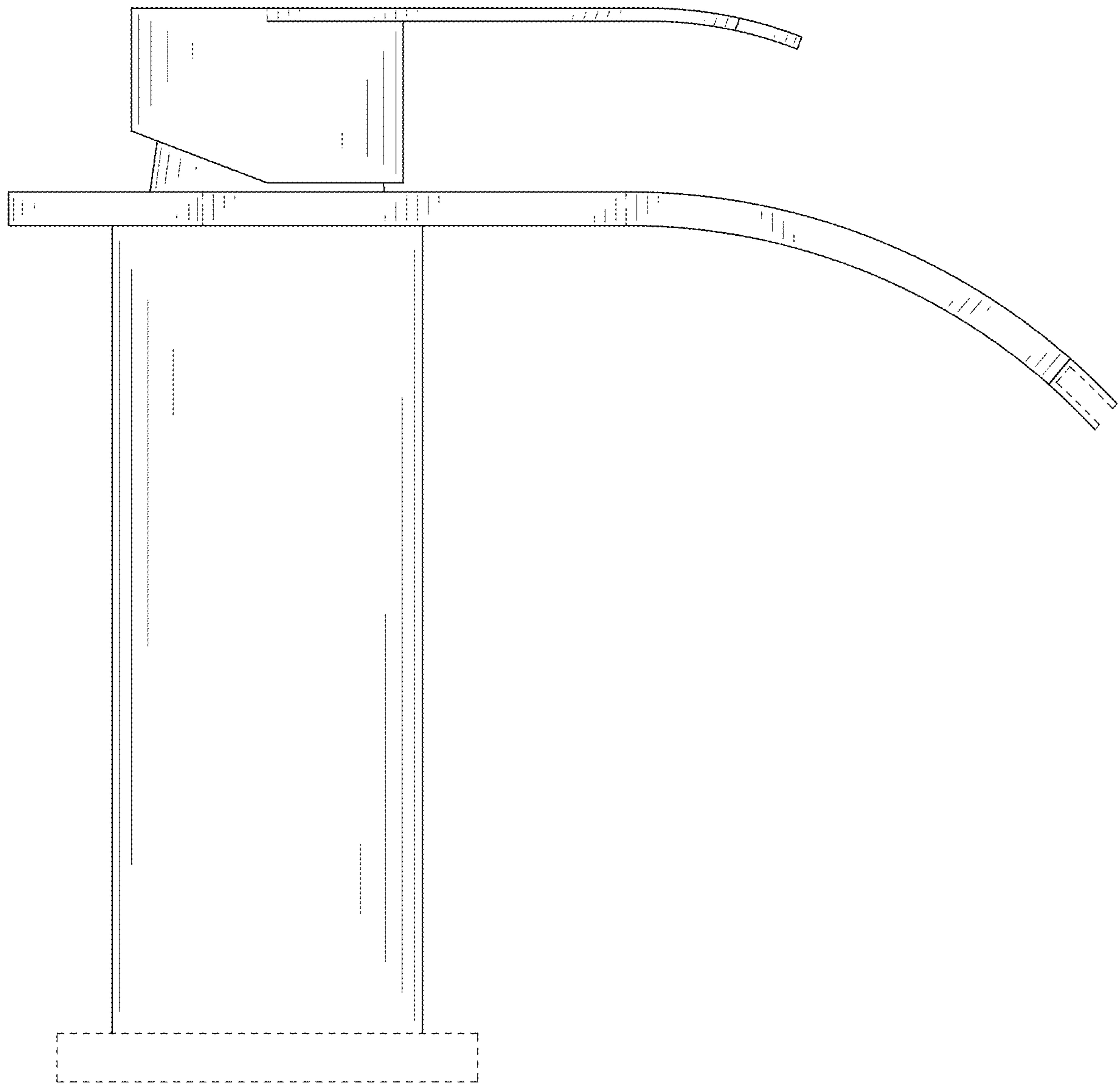


FIG. 5

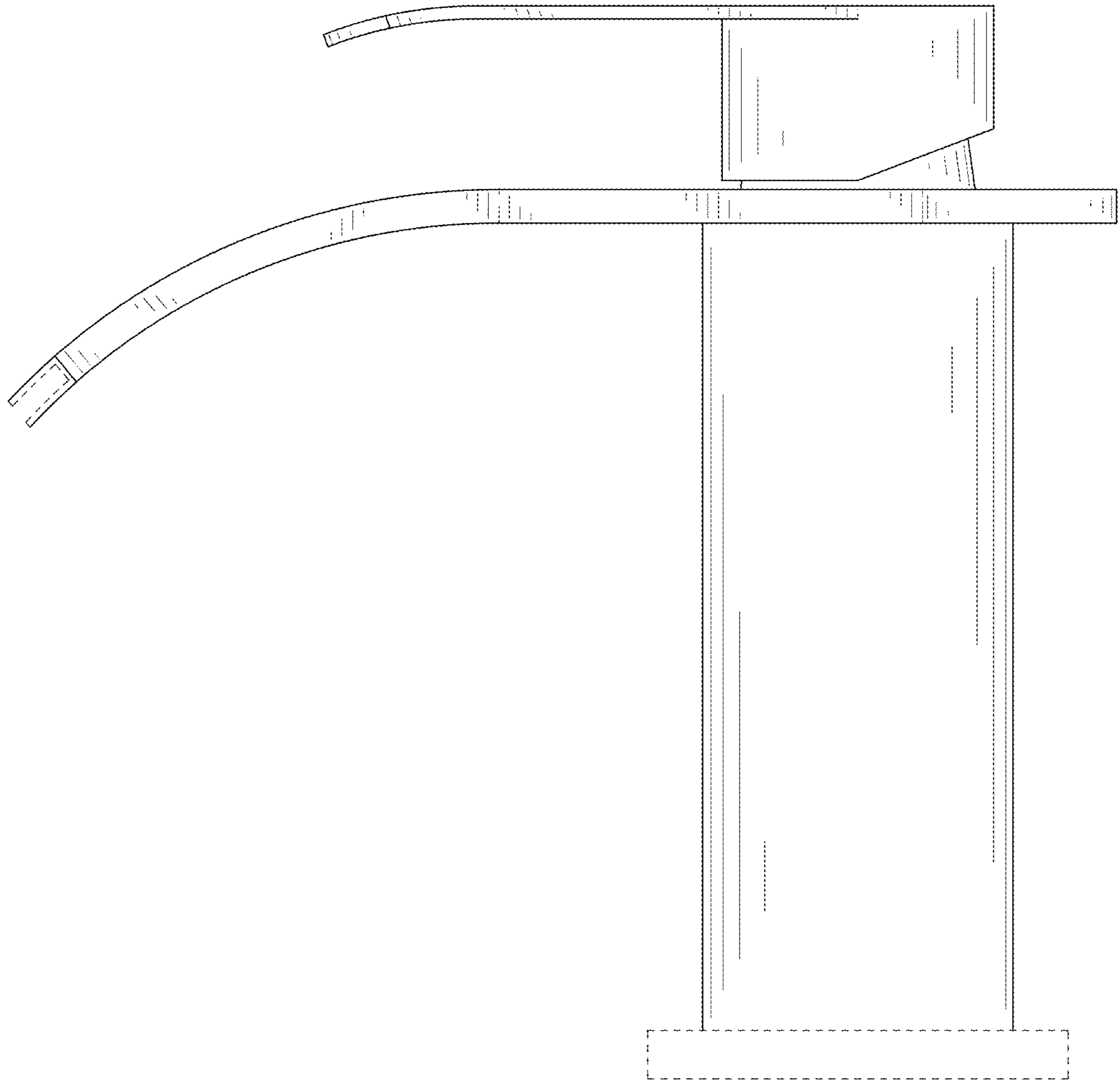


FIG. 6

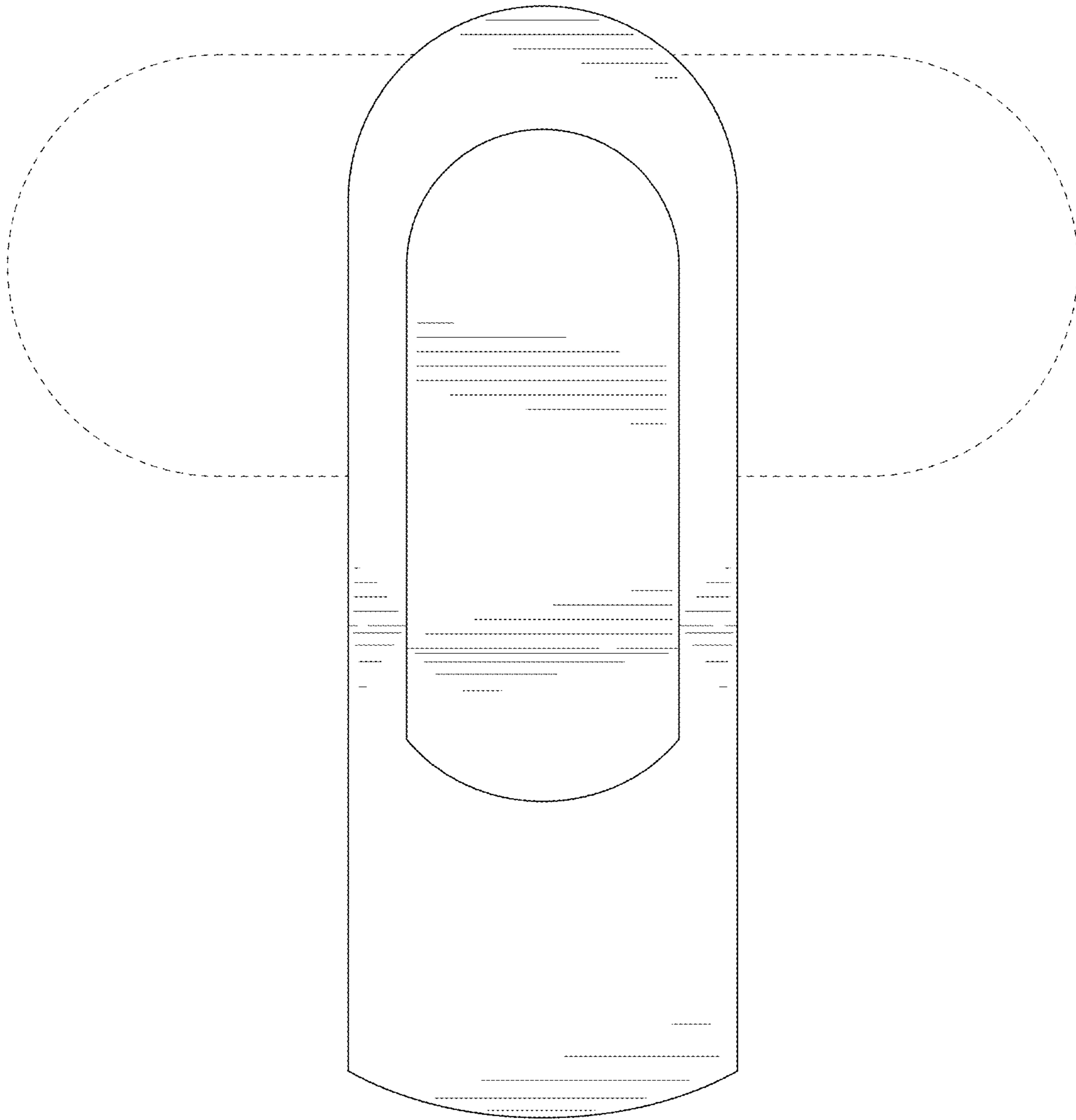


FIG. 7



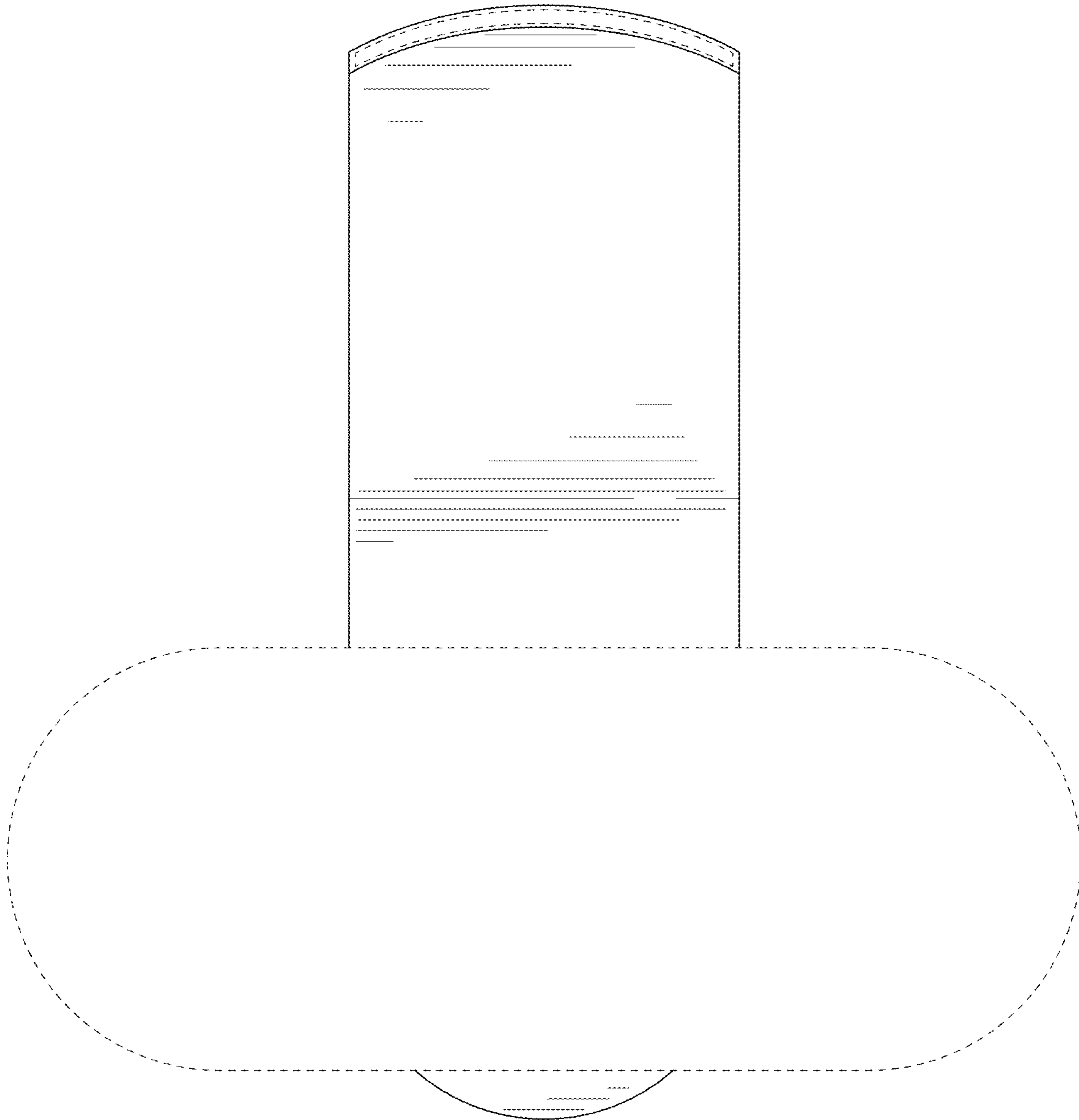


FIG. 8

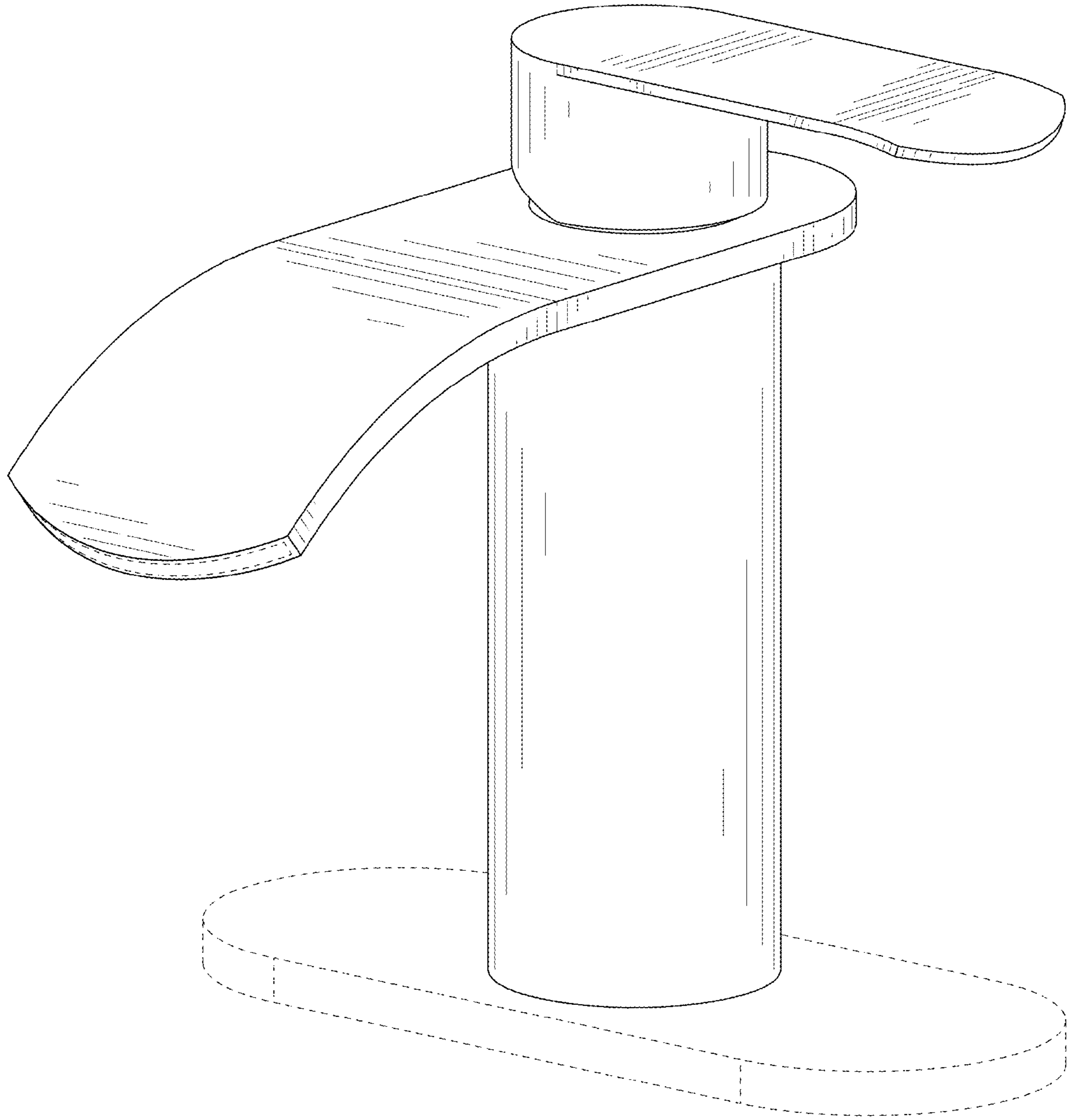


FIG. 9

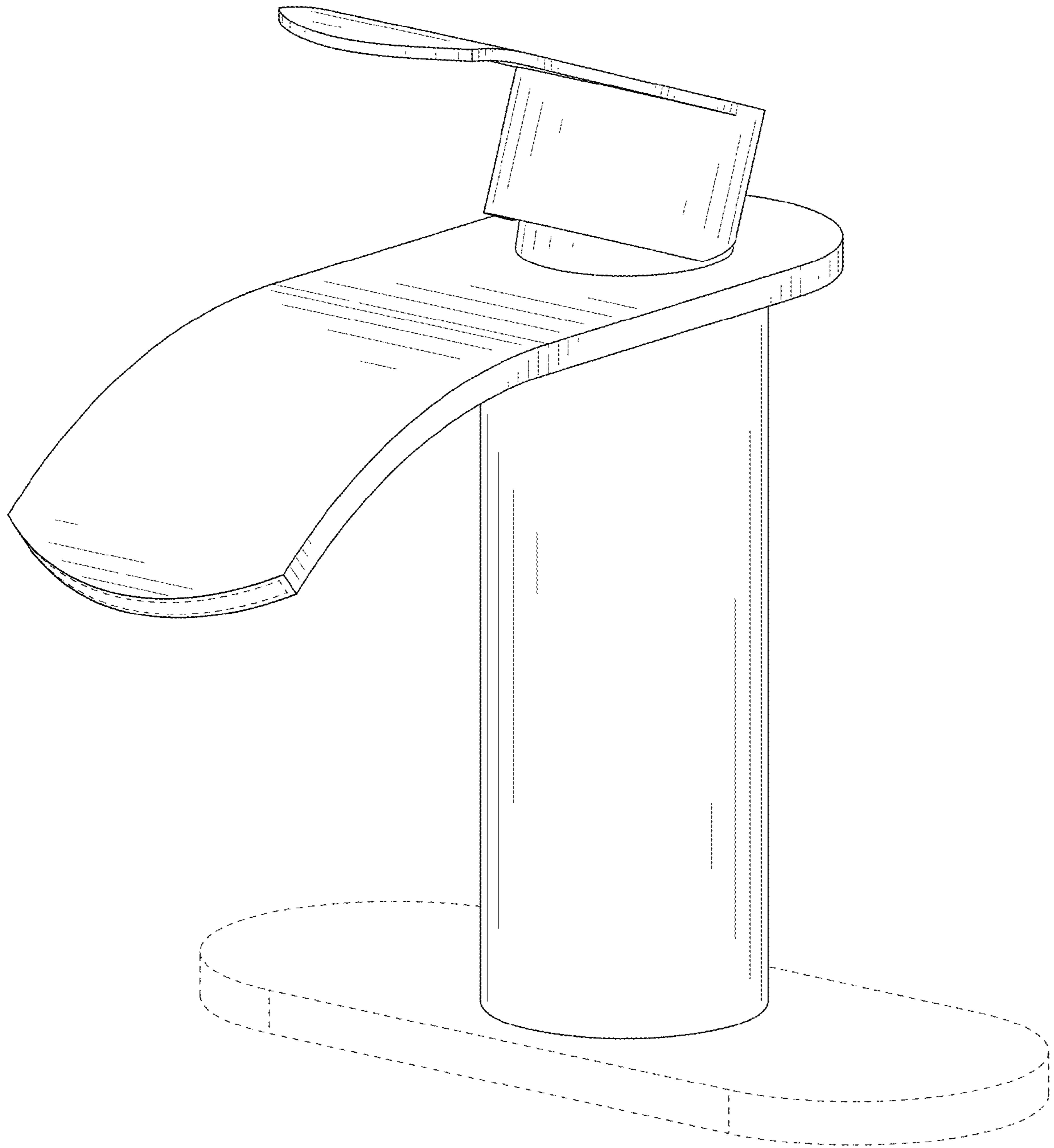


FIG. 10