



US00D989237S

(12) **United States Design Patent** (10) **Patent No.:** **US D989,237 S**
Liu (45) **Date of Patent:** **** Jun. 13, 2023**

(54) **FAUCET**
(71) Applicant: **AS America, Inc.**, Piscataway, NJ (US)
(72) Inventor: **Fen Liu**, Guangzhou (CN)
(73) Assignee: **AS America, Inc.**, Piscataway, NJ (US)
(**) Term: **15 Years**

(21) Appl. No.: **29/784,654**
(22) Filed: **May 20, 2021**

(30) **Foreign Application Priority Data**

Nov. 26, 2020 (CN) 202030721918.1

(51) **LOC (14) Cl.** **23-01**

(52) **U.S. Cl.**
USPC **D23/238**

(58) **Field of Classification Search**
USPC D23/238, 239, 240, 241, 242, 243, 246,
D23/247, 249, 250, 251, 252, 253, 254,
D23/255, 256, 257
CPC E03C 1/00; E03C 1/01; E03C 1/02; E03C
1/023; E03C 1/04; E03C 1/0401; E03C
1/0403; E03C 1/0404; E03C 1/0405;
E03C 1/0412; E03C 1/05; E03C 1/042;
F16K 31/60

See application file for complete search history.

(56) **References Cited**

U.S. PATENT DOCUMENTS

D635,220 S * 3/2011 Rubin D23/238
D635,221 S * 3/2011 Rubin D23/238
D677,366 S * 3/2013 Chen D23/255
D835,237 S * 12/2018 Ziemann D23/238
D871,548 S * 12/2019 Tentler D23/238
D873,379 S * 1/2020 Fritz D23/238
D919,052 S * 5/2021 He D23/238
D925,704 S * 7/2021 Yan D23/238
D935,565 S * 11/2021 Liu D23/238

D953,492 S * 5/2022 Kuang D23/238
D964,520 S * 9/2022 Kulig D23/238
D966,471 S * 10/2022 Johnson D23/250

FOREIGN PATENT DOCUMENTS

CN 202130300508.4 * 5/2021

OTHER PUBLICATIONS

Amazon, Ceavmlsr Brushed Nickel Kitchen Faucet, posted Aug. 22, 2020, [online], [visited Dec. 3, 2022]. Internet, <URL: https://www.amazon.ca/Ceavmlsr-Brushed-Kitchen-Stainless-Nickel-Pause/dp/B08GJFRY5S?th=1> (Year: 2020).*

Amazon, Arrisea Touchless Kitchen Faucet with Pull Down Spray Head, posted Jun. 11, 2021, [online], [visited Dec. 3, 2022]. Internet, <URL: https://www.amazon.ca/ARRISEA-Touchless-Activated-Handheld-Hands-Free/dp/B093FH13SQ?ref> (Year: 2021).*

* cited by examiner

Primary Examiner — Samantha Wood

(74) *Attorney, Agent, or Firm* — Tyler A. Stevenson;
Anna-lisa L. Gallo

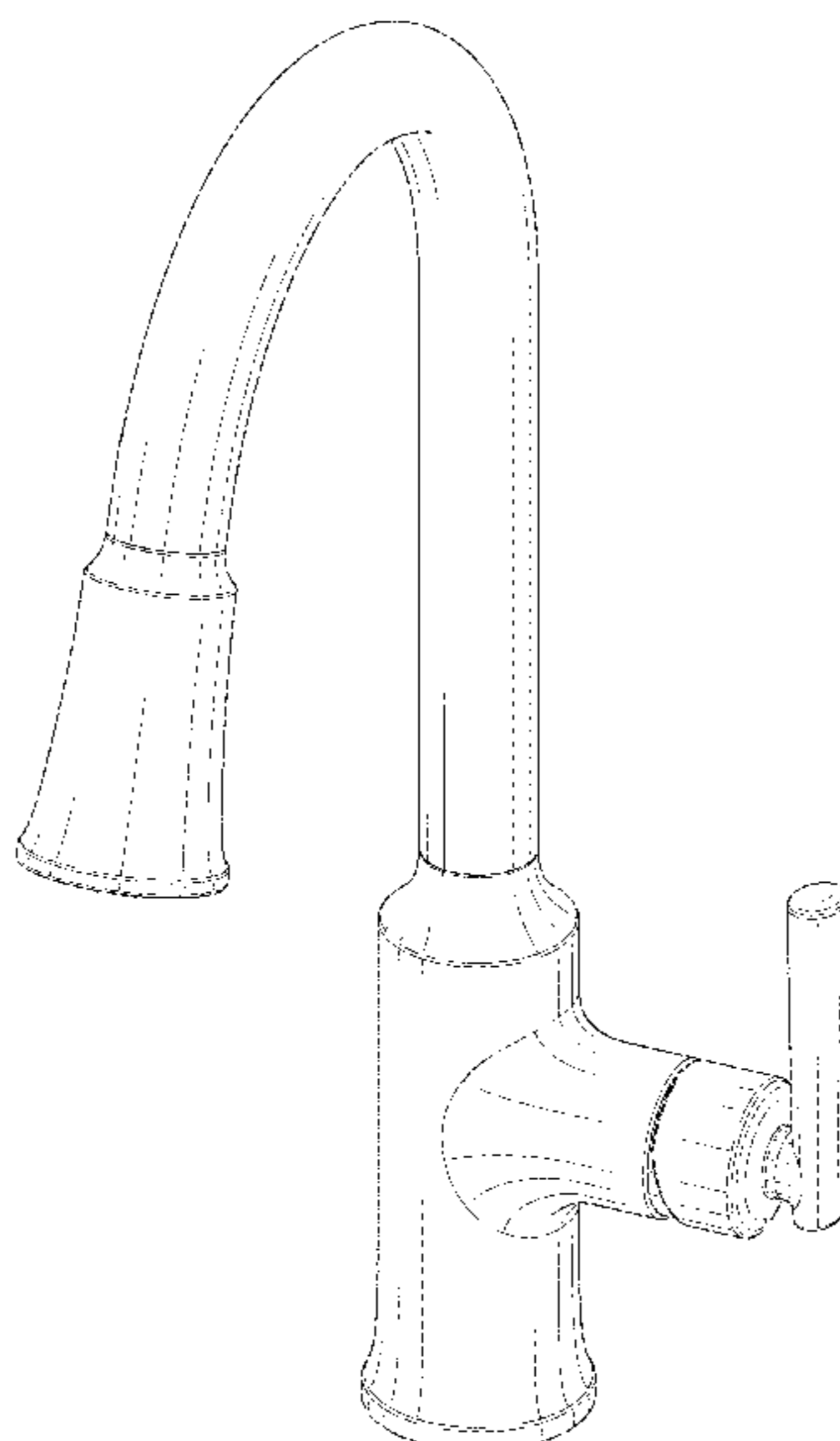
(57) **CLAIM**

I claim the ornamental design for a faucet, as shown and described.

DESCRIPTION

FIG. 1 is a front, top, right side perspective view of a faucet showing my new design;
FIG. 2 is a front view thereof;
FIG. 3 is a rear view thereof;
FIG. 4 is a left side view thereof;
FIG. 5 is a right side view thereof;
FIG. 6 is a top view thereof;
FIG. 7 is a bottom view thereof; and,
FIG. 8 is a front, bottom, right side perspective view thereof. Broken lines represent portions of the faucet that form no part of the claimed design.

1 Claim, 7 Drawing Sheets



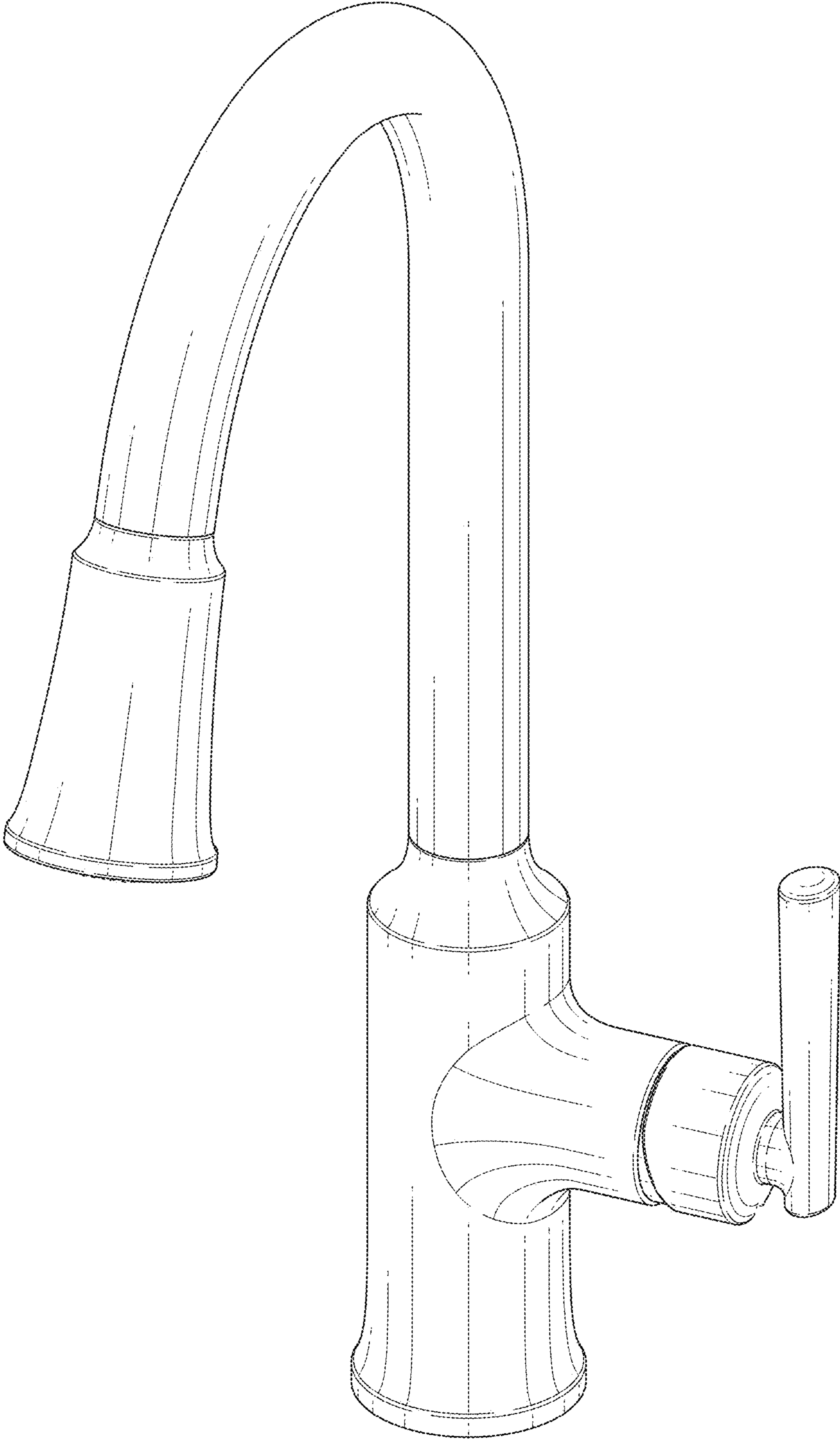


FIG. 1

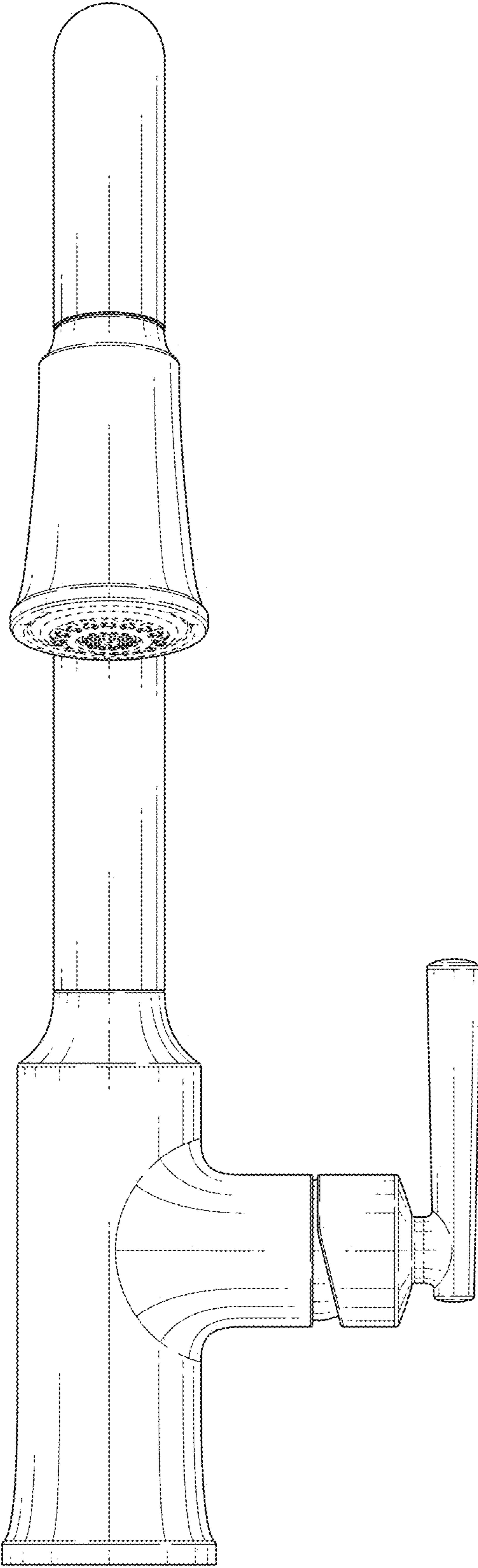


FIG. 2

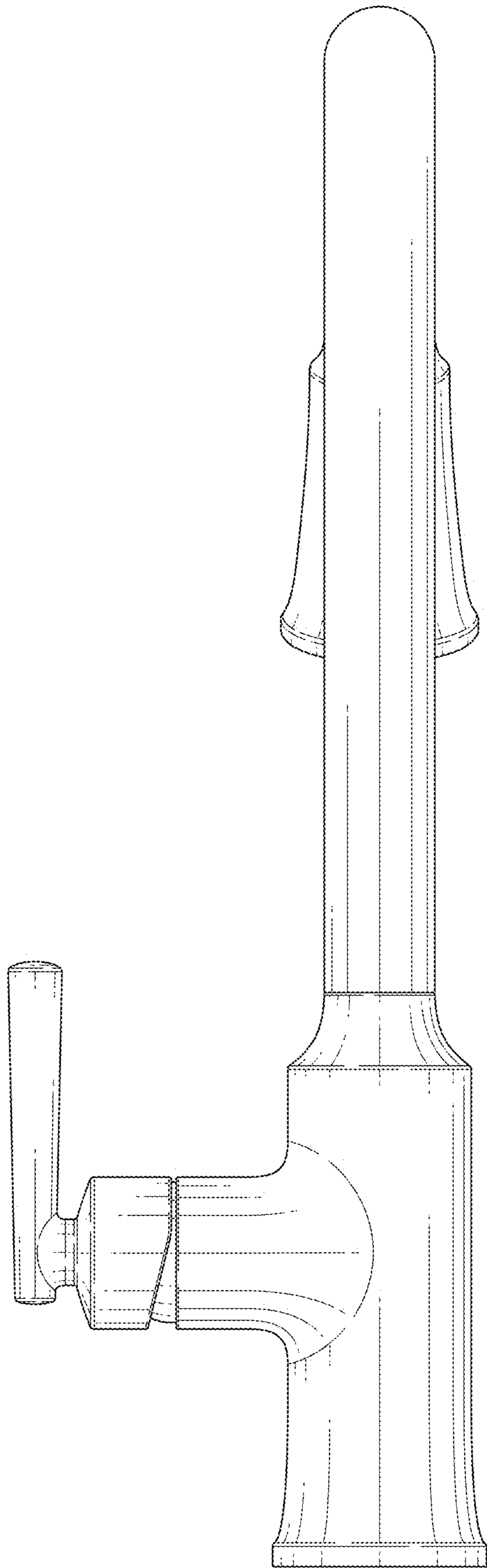


FIG. 3

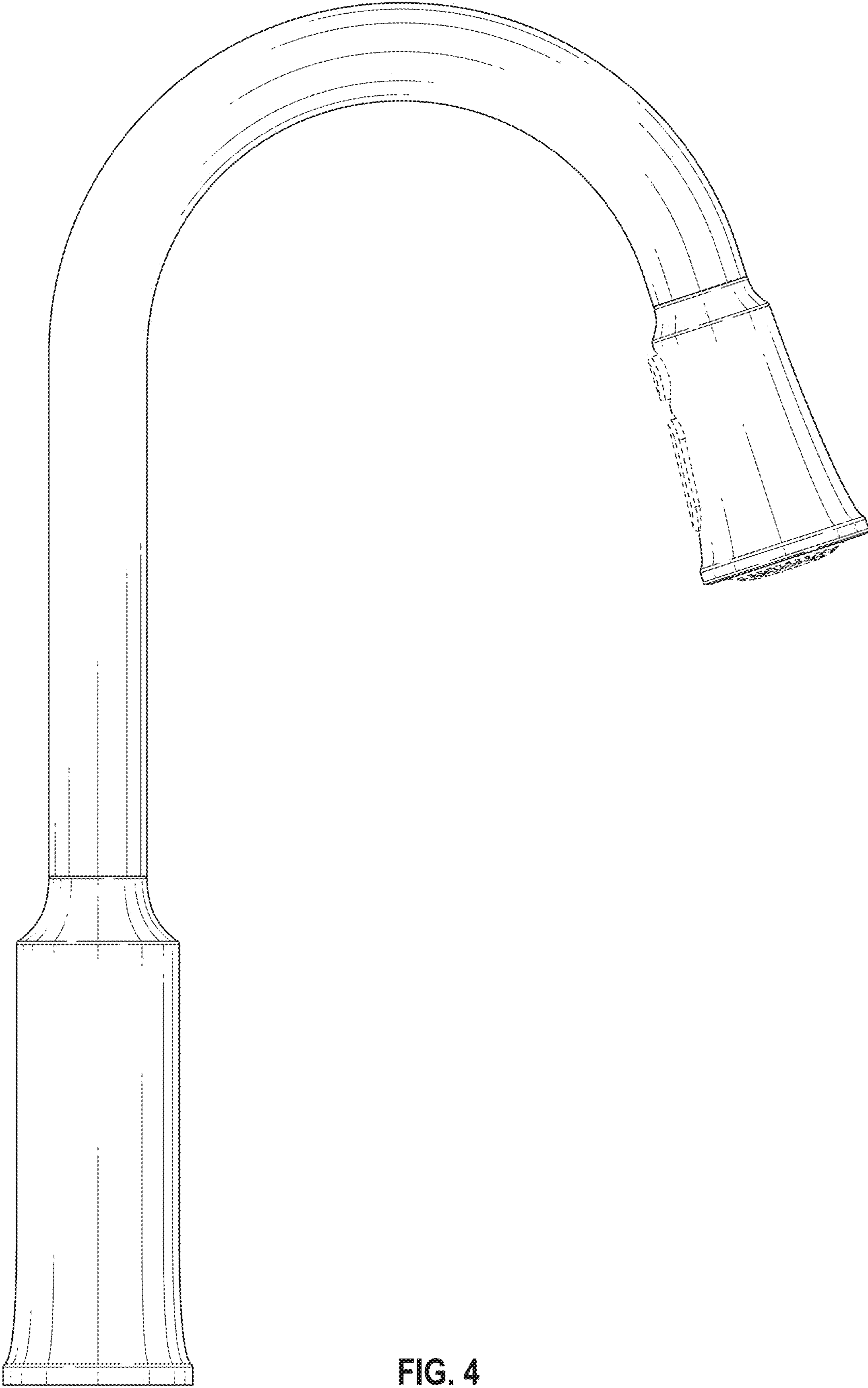


FIG. 4

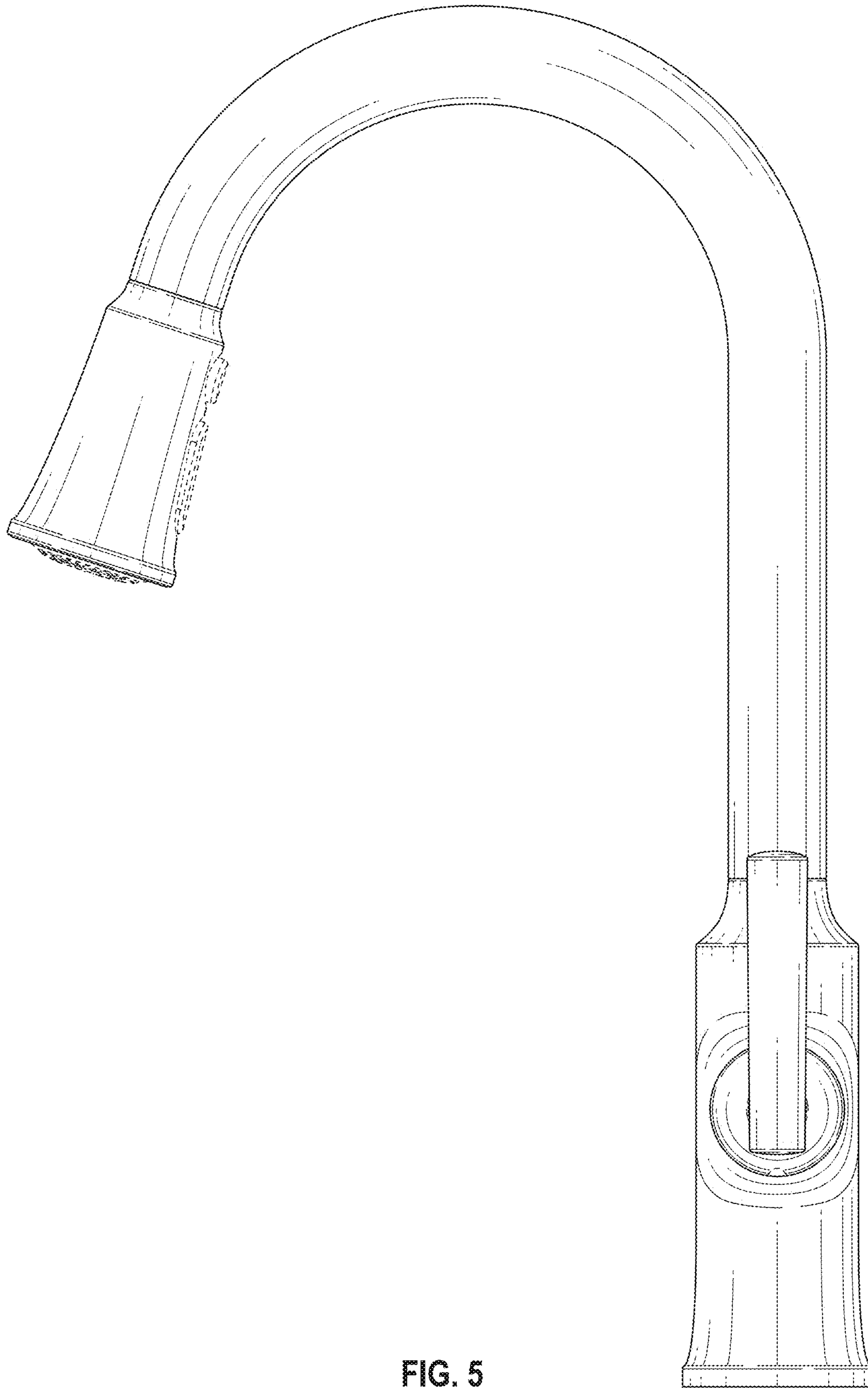


FIG. 5

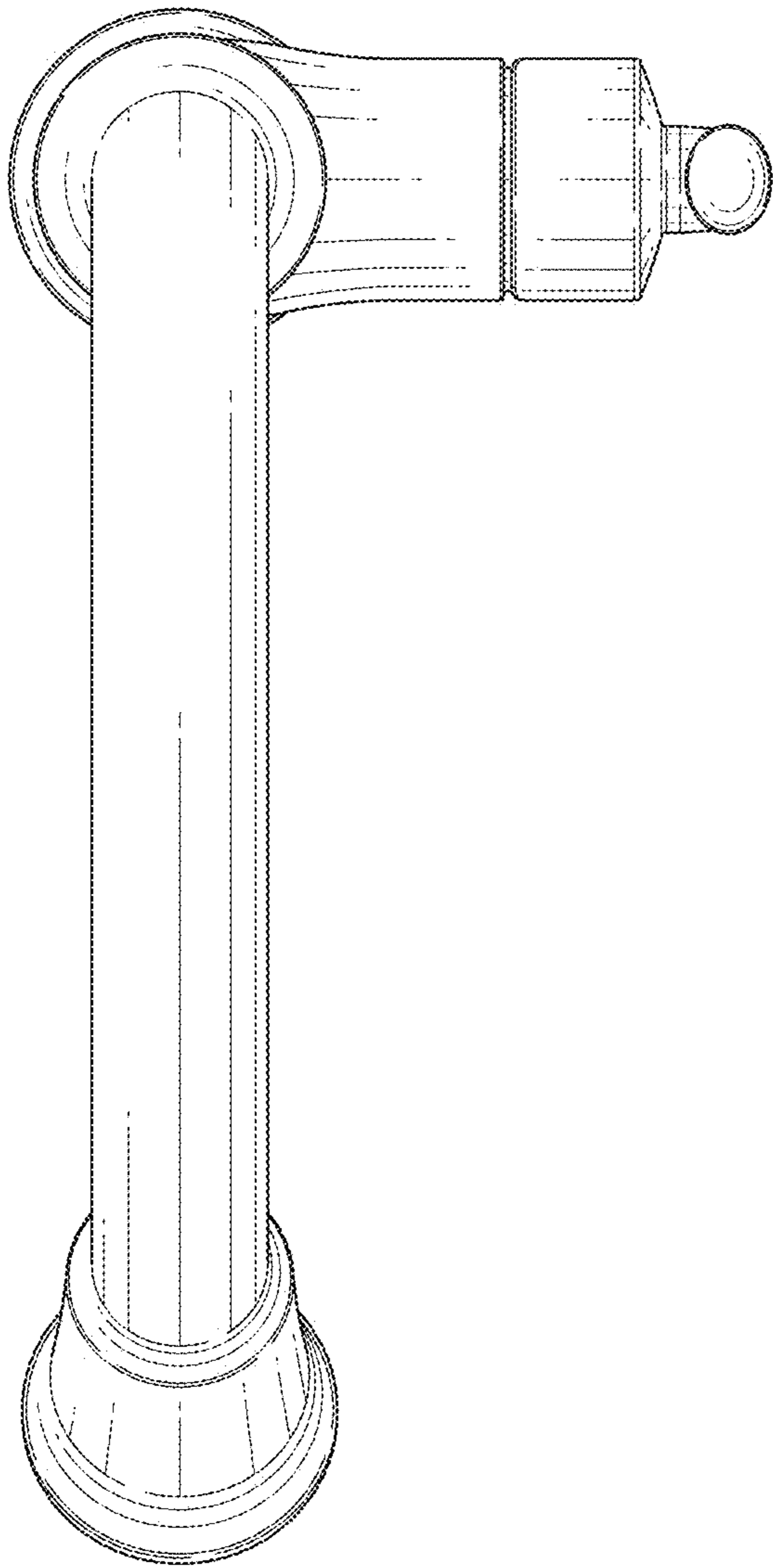


FIG. 6

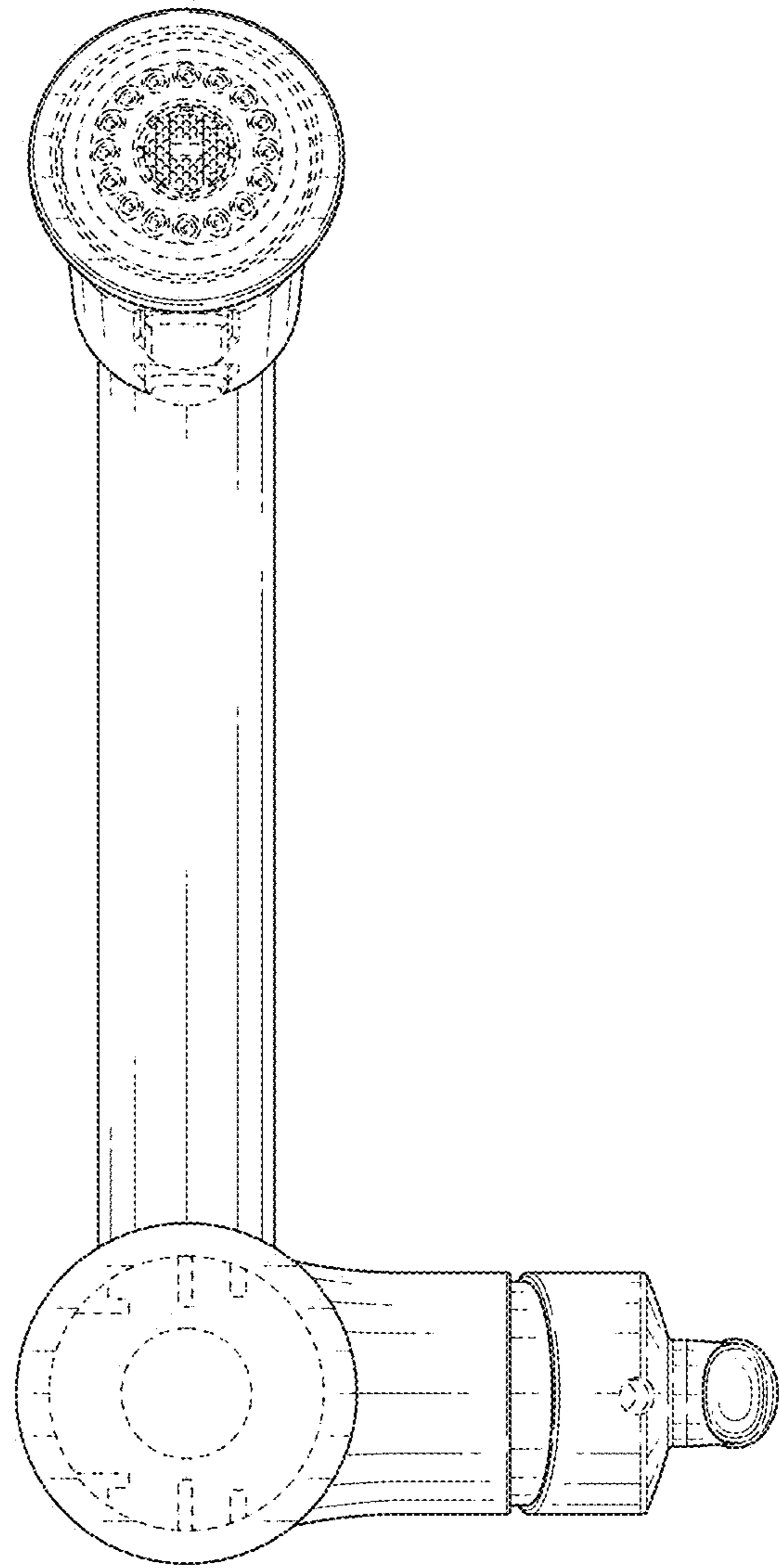


FIG. 7

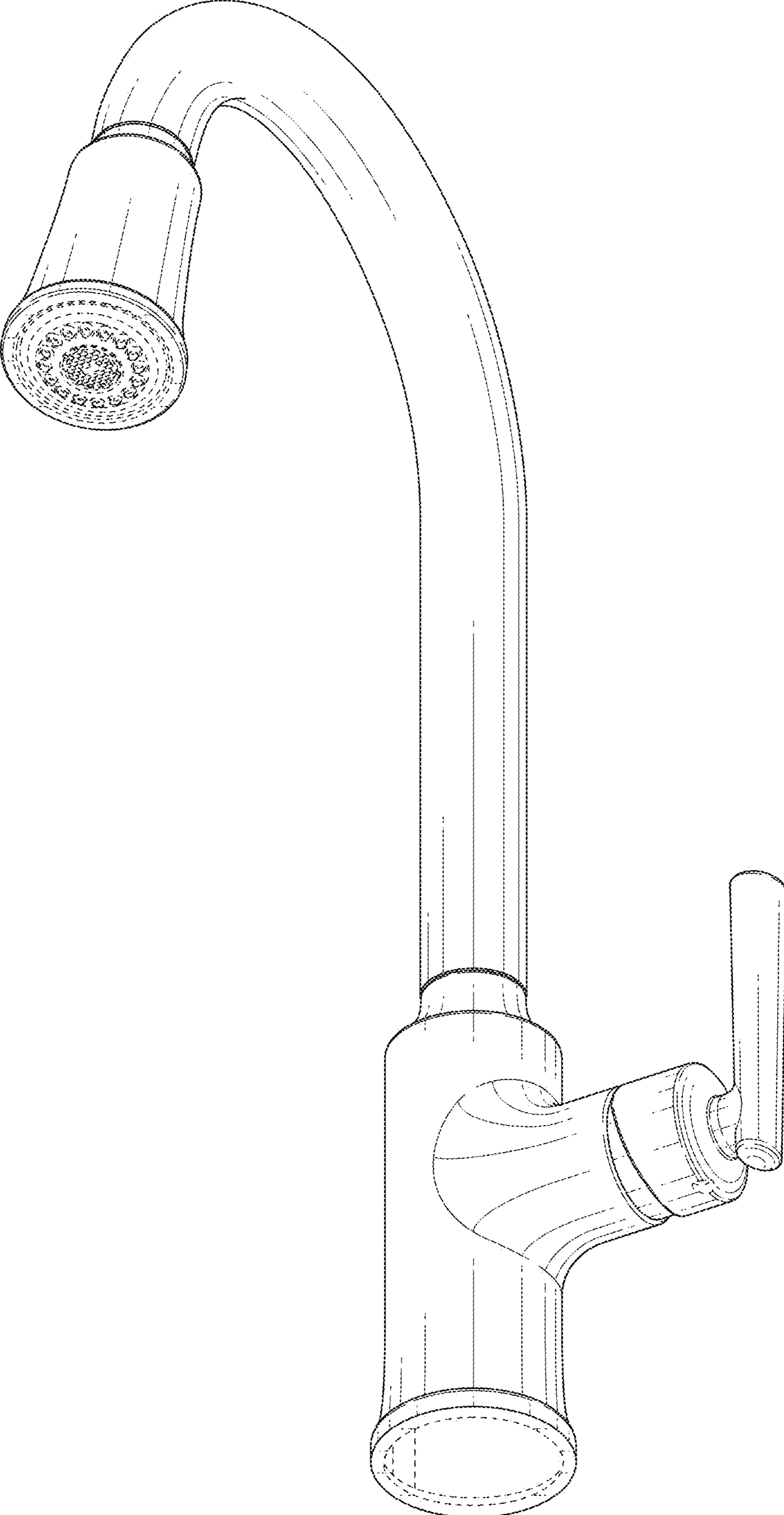


FIG. 8