



US00D989236S

(12) **United States Design Patent**  
**Citterio**

(10) **Patent No.:** **US D989,236 S**  
(45) **Date of Patent:** **\*\* Jun. 13, 2023**

(54) **FREESTANDING FAUCET**

FOREIGN PATENT DOCUMENTS

(71) Applicant: **HANS GROHE SE**, Schiltach (DE)

CN 301978232 S 7/2012

(72) Inventor: **Antonio Citterio**, Milan (IT)

CN 302717146 S 1/2014

(73) Assignee: **Hansgrohe SE**, Schiltach (DE)

CN 304047016 S 2/2017

(\*\*) Term: **15 Years**

\* cited by examiner

(21) Appl. No.: **29/777,868**

*Primary Examiner* — Robert A Delehanty

(22) Filed: **Apr. 8, 2021**

(74) *Attorney, Agent, or Firm* — Lora J. Graentzdoerffer

(51) **LOC (14) Cl.** ..... **23-01**

(57) **CLAIM**

(52) **U.S. Cl.**

The ornamental design for a freestanding faucet, as shown and described.

USPC ..... **D23/238**

(58) **Field of Classification Search**

**DESCRIPTION**

USPC ..... D23/238, 241–243, 249, 239–240, 250,  
D23/252, 254–255, 257; D8/307–308  
See application file for complete search history.

FIG. 1 is a perspective view of a freestanding faucet showing our design;

(56) **References Cited**

U.S. PATENT DOCUMENTS

D583,907 S	12/2008	Citterio	
9,334,633 B2 *	5/2016	Harris	..... E03C 1/0401
D790,664 S *	6/2017	Eads	..... D23/238
D790,666 S *	6/2017	Lord	..... D23/239
D810,239 S *	2/2018	Schoenherr	..... D23/238
D898,870 S *	10/2020	Massaud	..... D23/238
D914,152 S *	3/2021	Ando	..... D23/239
11,543,043 B2 *	1/2023	Li	..... E03C 1/0401

FIG. 2 is a front elevational view;

FIG. 3 is a rear elevational view;

FIG. 4 is a side elevational view;

FIG. 5 is a side elevational view;

FIG. 6 is a top plan view; and,

FIG. 7 is a bottom plan view.

The broken line disclosures in the view represents portions of a freestanding faucet in which the claimed design is embodied, but which forms no part of the claimed design.

**1 Claim, 7 Drawing Sheets**

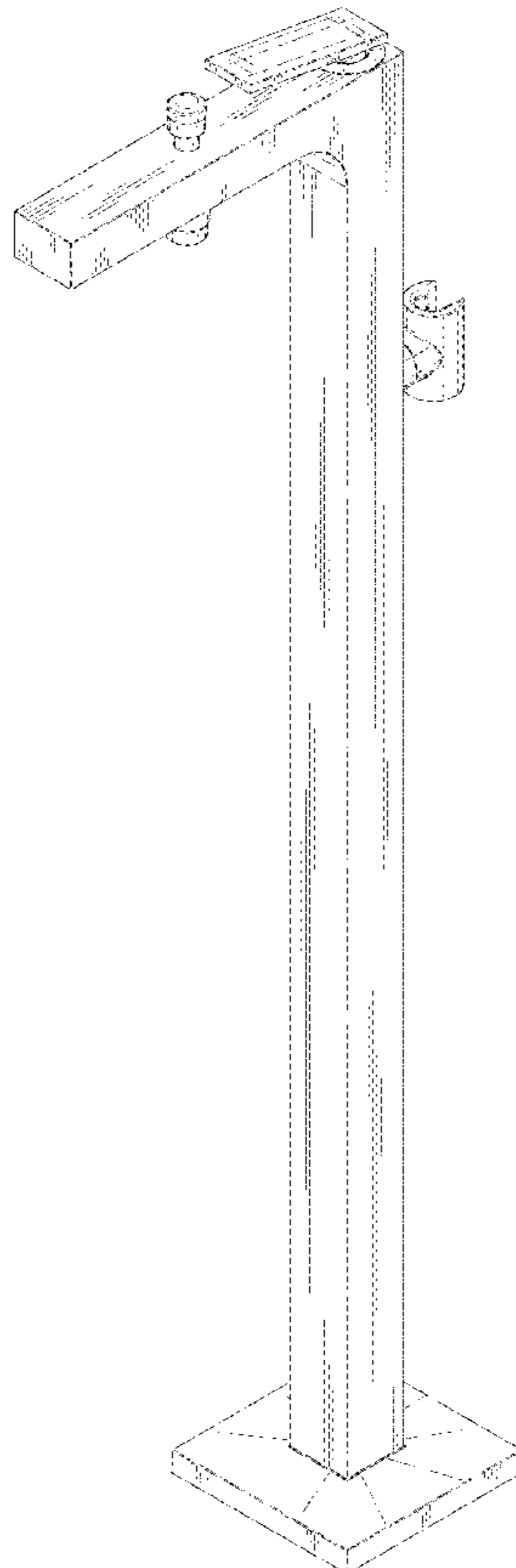


FIG. 1

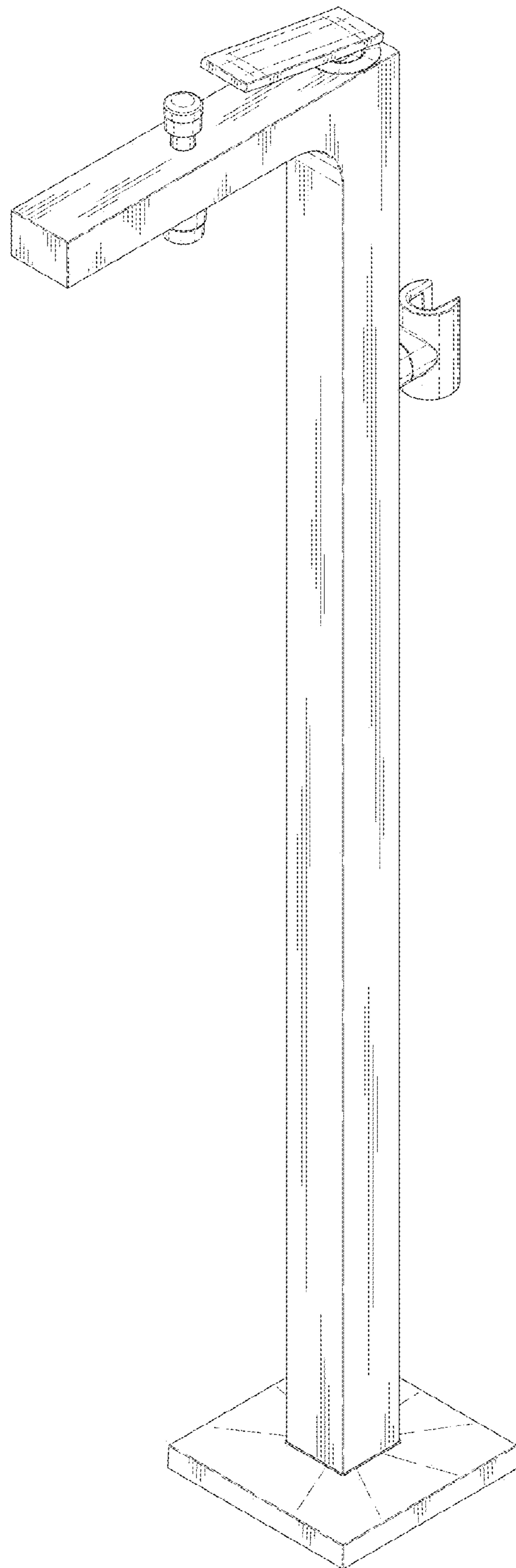


FIG. 2

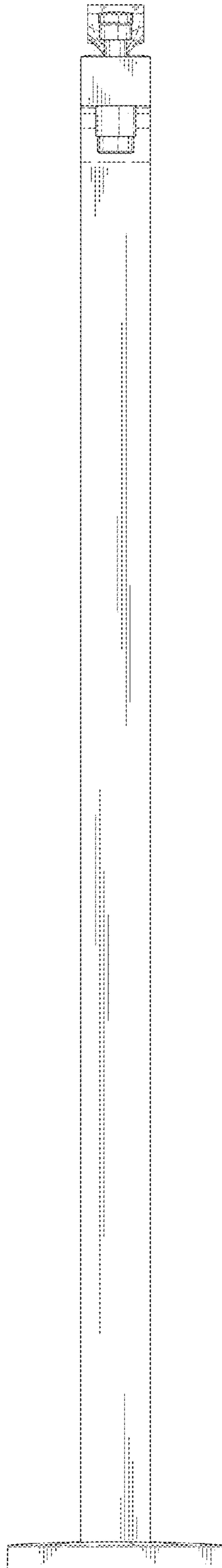


FIG. 3

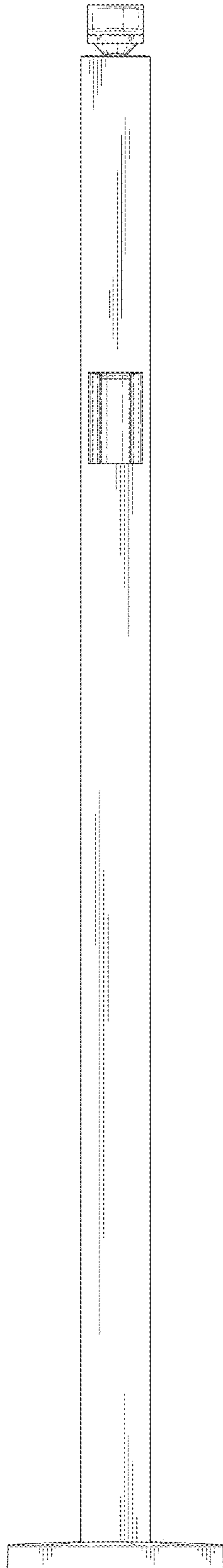


FIG. 4

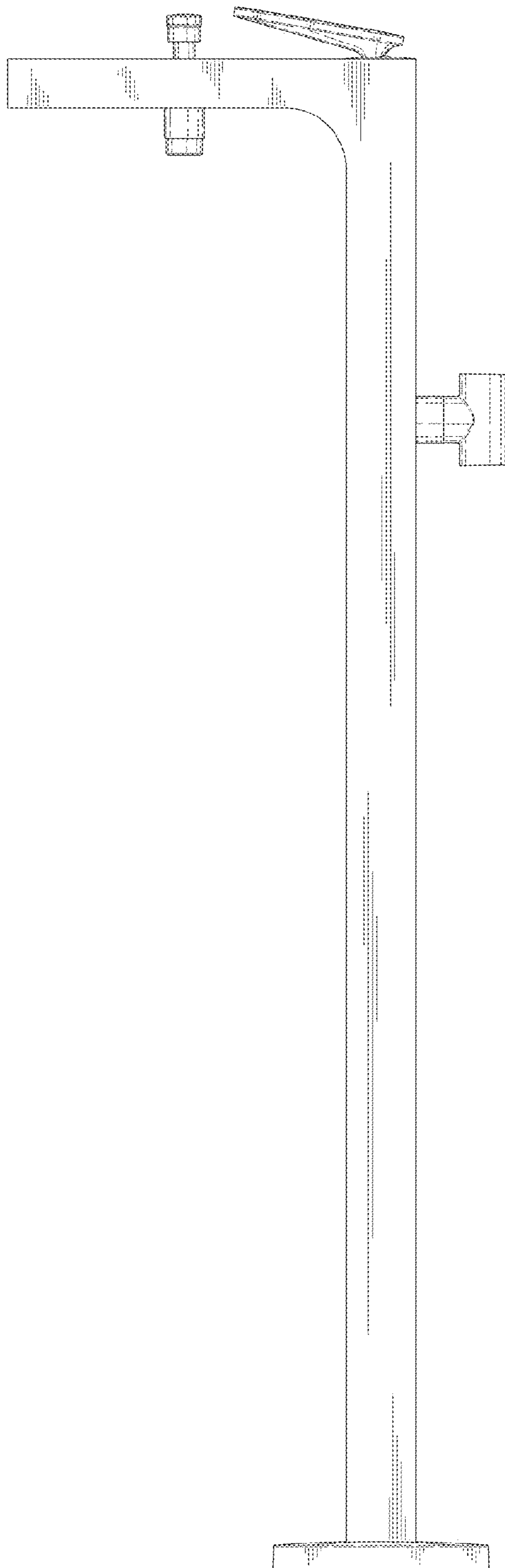


FIG. 5

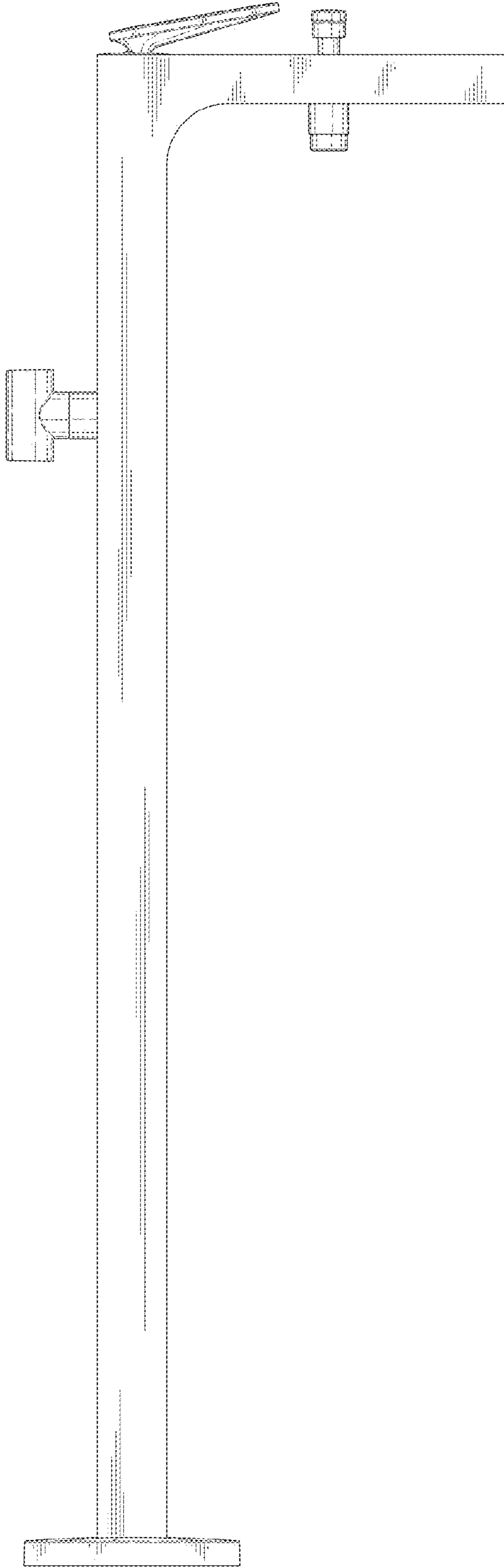


FIG. 6

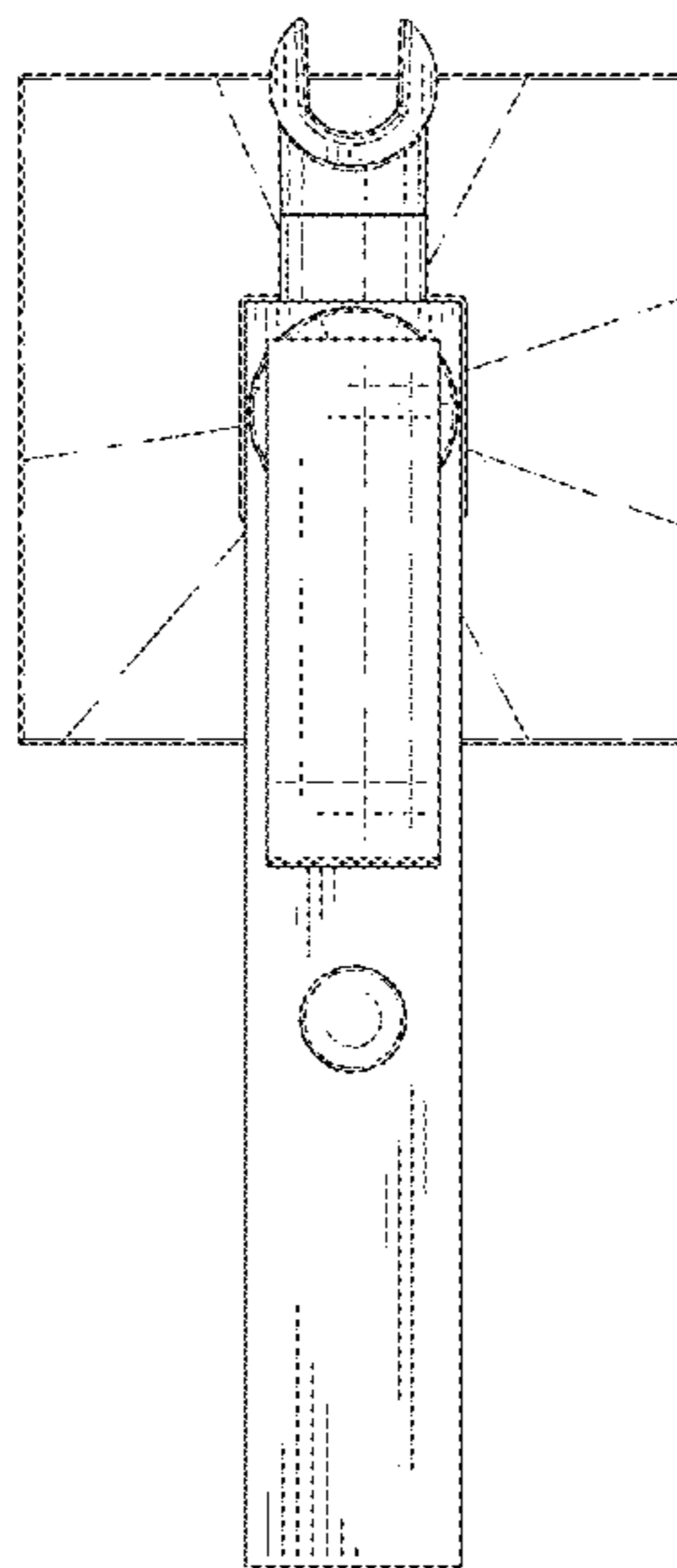


FIG. 7

