



US00D989235S

(12) **United States Design Patent**
Citterio

(10) **Patent No.:** **US D989,235 S**
(45) **Date of Patent:** **** Jun. 13, 2023**

(54) **FAUCET**

D846,700 S * 4/2019 L'Henaff D23/238
D862,660 S * 10/2019 Kulig D23/252
D883,437 S * 5/2020 Massaud D23/238

(71) Applicant: **HANSGROHE SE**, Schiltach (DE)

(72) Inventor: **Antonio Citterio**, Milan (IT)

(73) Assignee: **Hansgrohe SE**, Schiltach (DE)

(**) Term: **15 Years**

(21) Appl. No.: **29/777,863**

(22) Filed: **Apr. 8, 2021**

(51) **LOC (14) Cl.** **23-01**

(52) **U.S. Cl.**
USPC **D23/238**

(58) **Field of Classification Search**
USPC D23/238, 241-243, 249, 239-240, 250,
D23/252, 254-255, 257; D8/307-308
See application file for complete search history.

(56) **References Cited**

U.S. PATENT DOCUMENTS

D331,620 S * 12/1992 Bell D23/252
D700,956 S * 3/2014 Schoenherr D23/238
D701,592 S * 3/2014 Zhenqiang D23/238
D726,880 S * 4/2015 Kington D23/238
D762,287 S 7/2016 Flowers et al.
D828,500 S * 9/2018 Schoenherr D23/238
D828,501 S * 9/2018 Schoenherr D23/238

FOREIGN PATENT DOCUMENTS

CN 302632463 S 11/2013
CN 303740710 S 7/2016
CN 304185207 6/2017
CN 305486628 12/2019
CN 305561715 1/2020
EM 002448696-0003 4/2014

* cited by examiner

Primary Examiner — Robert A Delehanty

(74) *Attorney, Agent, or Firm* — Lora J. Graentzdoerffer

(57) **CLAIM**

The ornamental design for a faucet, as shown and described.

DESCRIPTION

FIG. 1 is a perspective view of a faucet showing our design;
FIG. 2 is a front elevational view;
FIG. 3 is a rear elevational view;
FIG. 4 is a side elevational view;
FIG. 5 is a side elevational view;
FIG. 6 is a top plan view; and,
FIG. 7 is a bottom plan view.

The broken line disclosures in the view represents portions of a faucet in which the claimed design is embodied, but which forms no part of the claimed design.

1 Claim, 7 Drawing Sheets

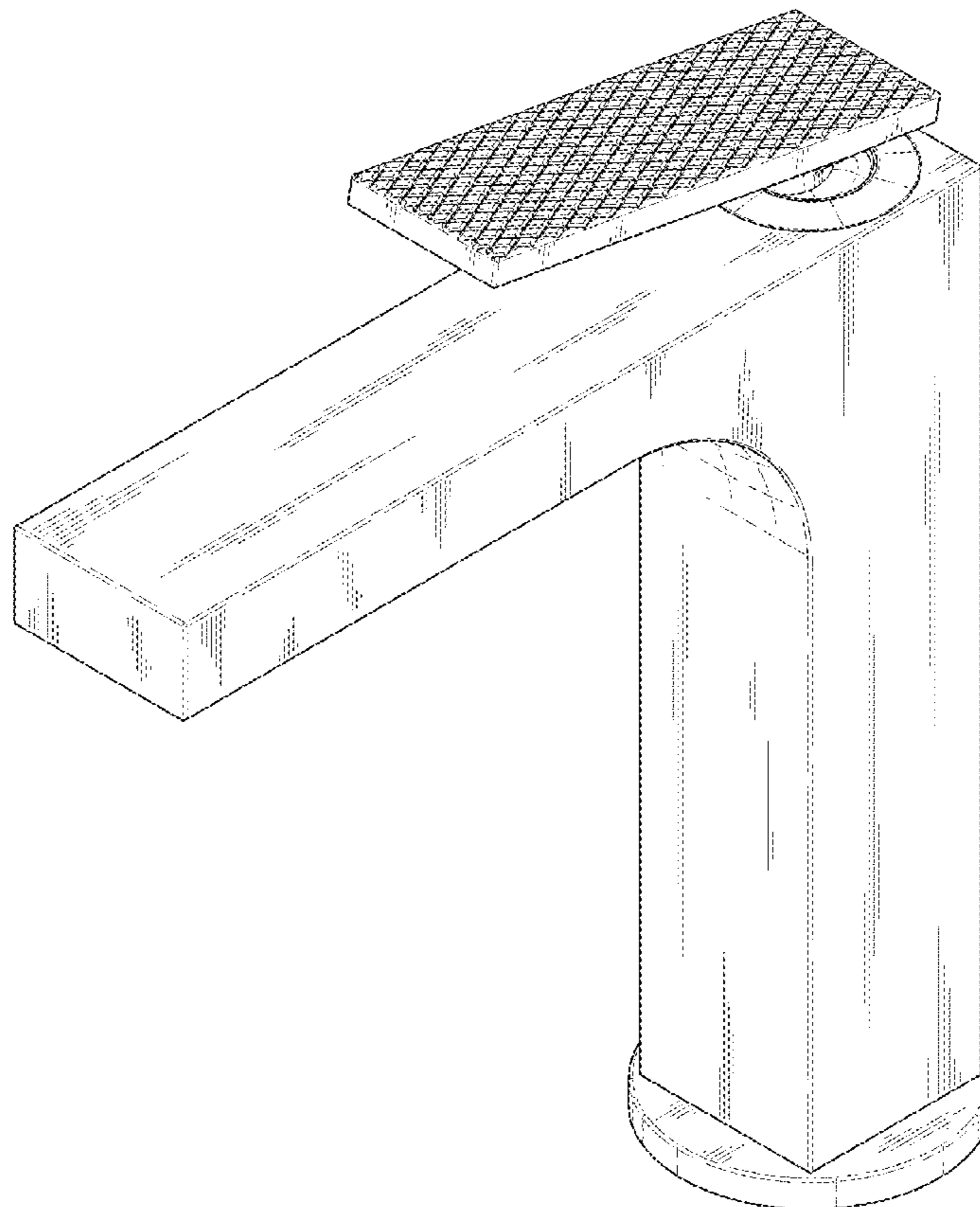


FIG. 1

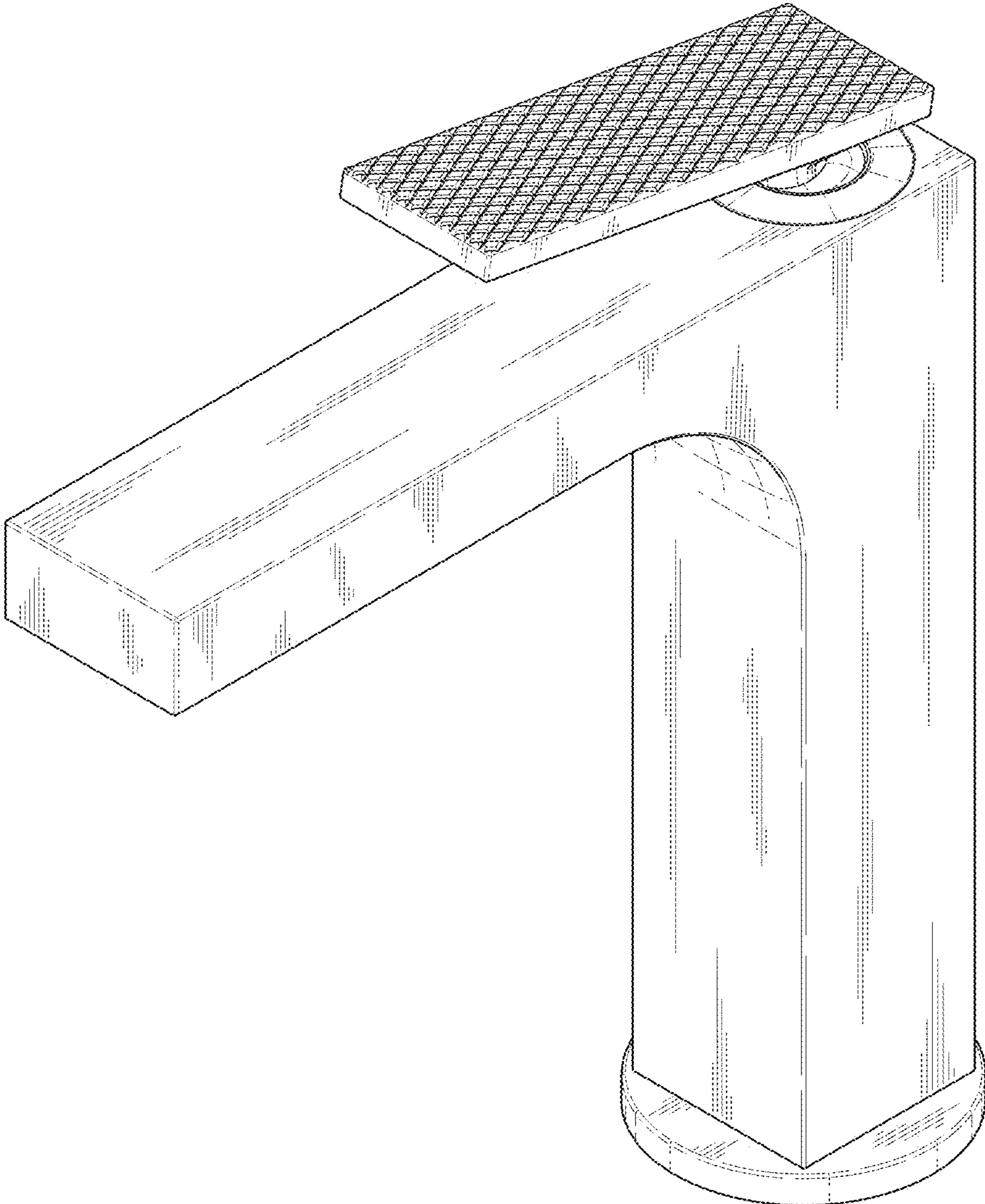


FIG. 2

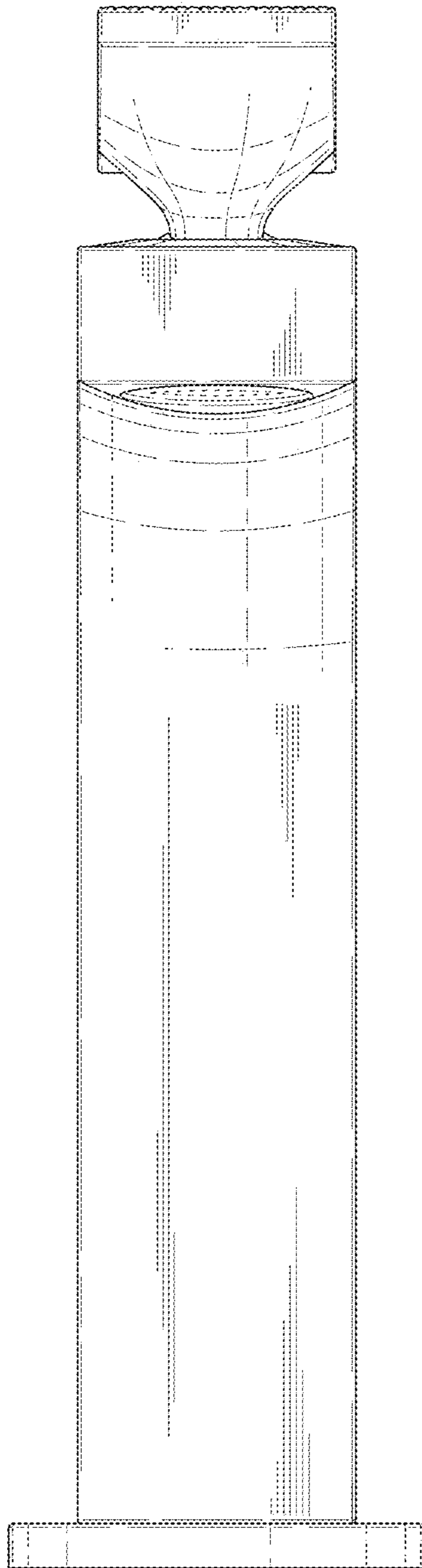


FIG. 3

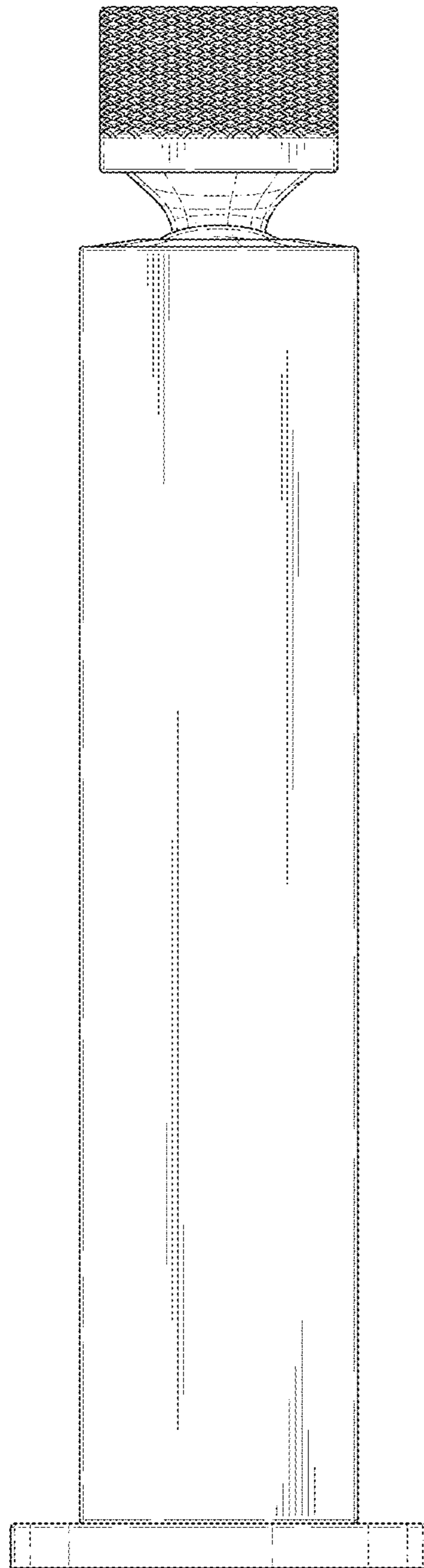


FIG. 4

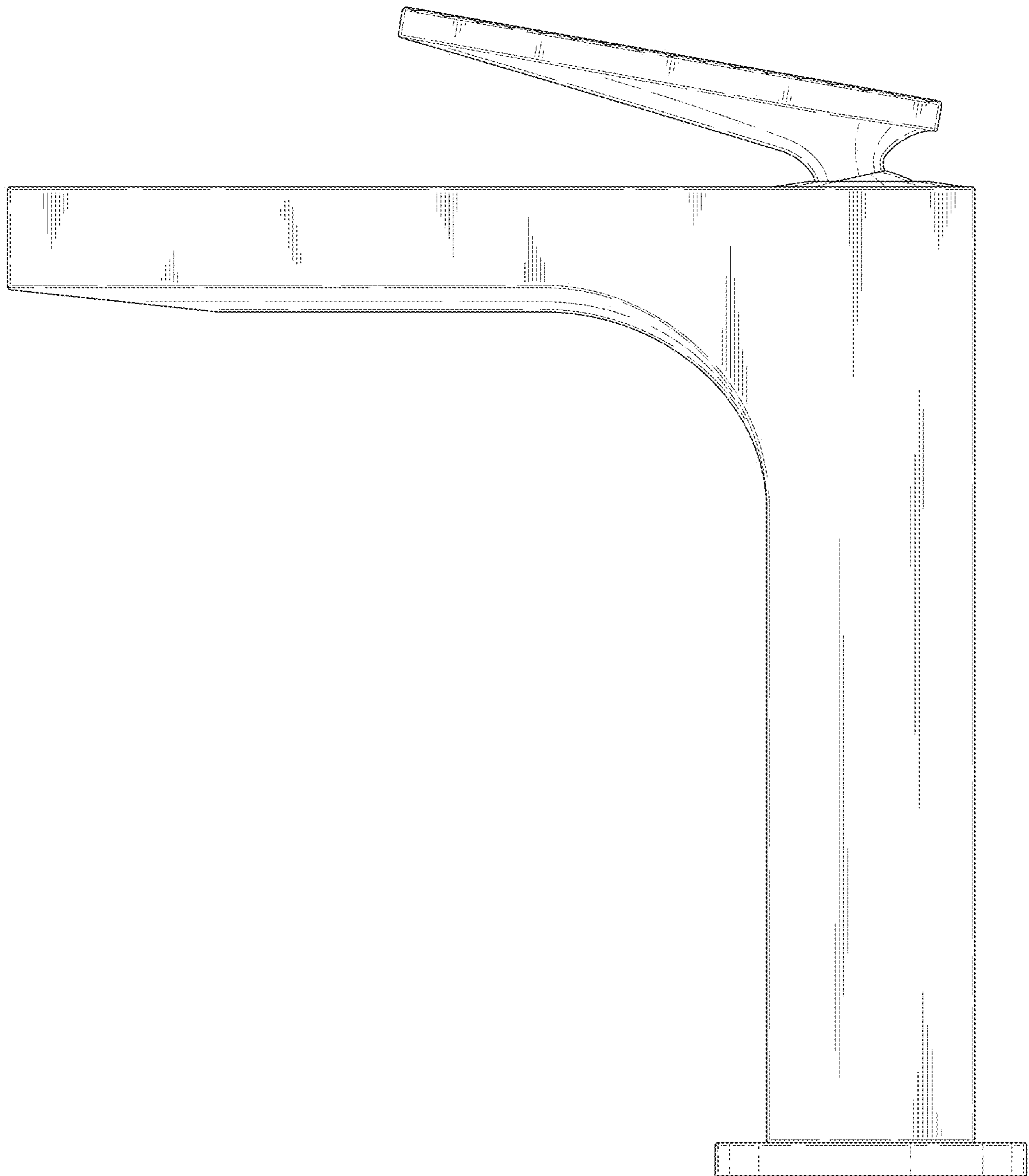


FIG. 5

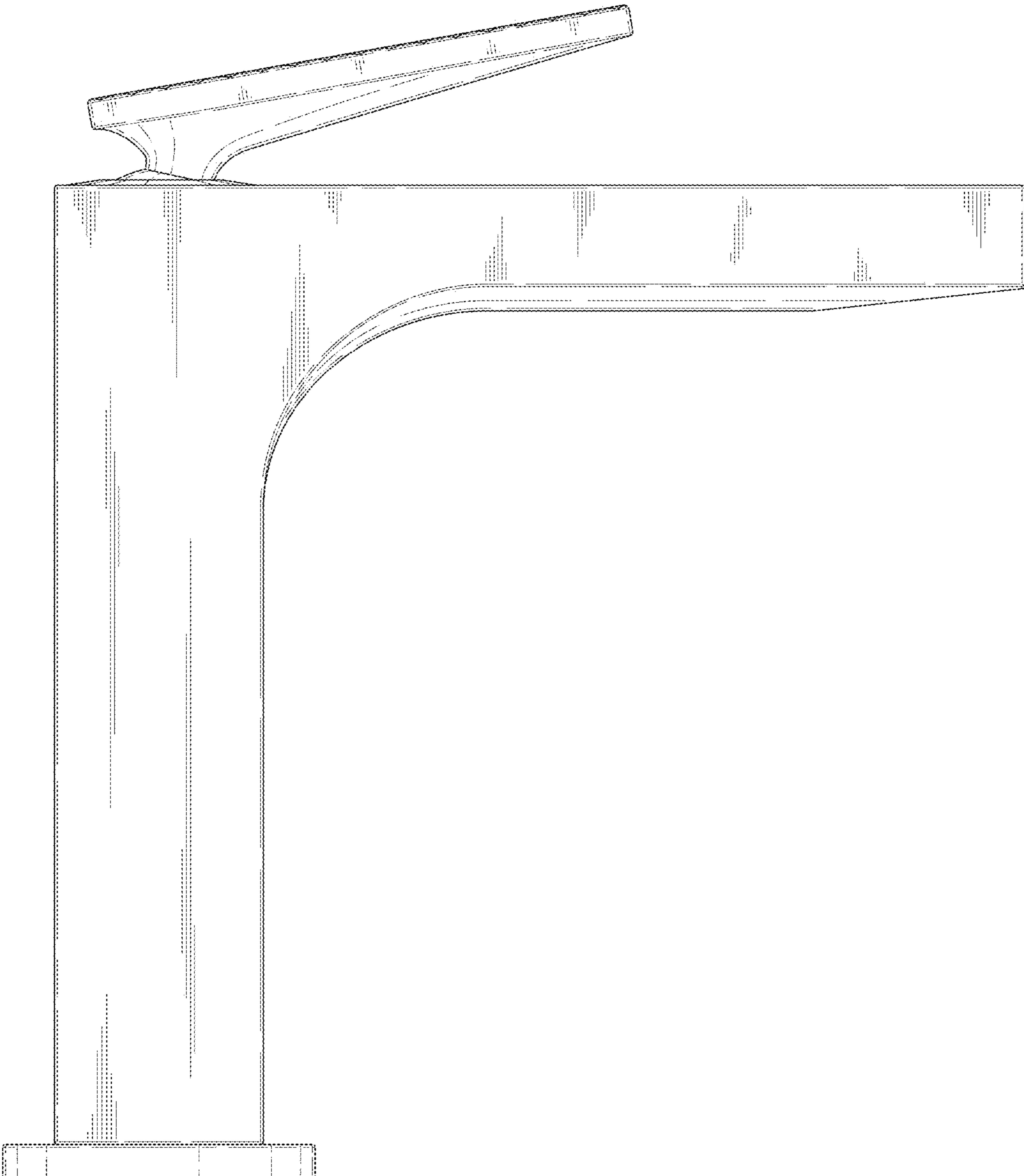


FIG. 6

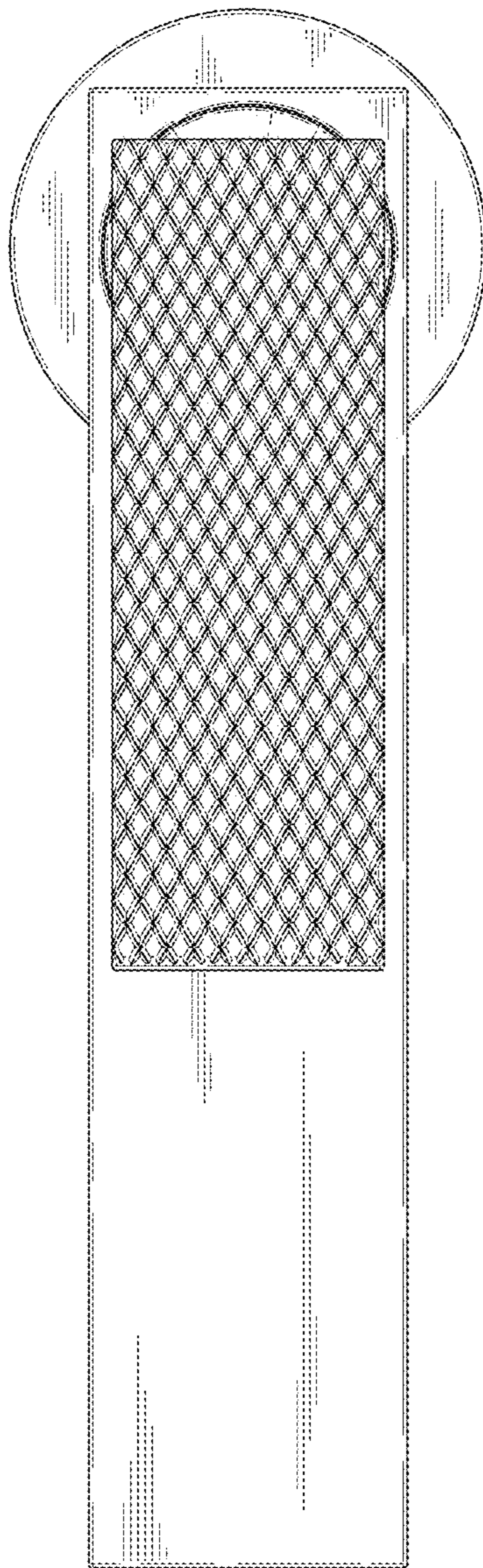


FIG. 7

