



US00D989234S

(12) **United States Design Patent**
Citterio

(10) **Patent No.:** **US D989,234 S**
(45) **Date of Patent:** **** Jun. 13, 2023**

- (54) **FAUCET**
- (71) Applicant: **HANSGROHE SE**, Schiltach (DE)
- (72) Inventor: **Antonio Citterio**, Milan (IT)
- (73) Assignee: **Hansgrohe SE**, Schiltach (DE)
- (**) Term: **15 Years**
- (21) Appl. No.: **29/777,858**
- (22) Filed: **Apr. 8, 2021**

D762,287 S	7/2016	Flowers et al.	
D767,721 S *	9/2016	Yoshioka	D23/238
D809,103 S *	1/2018	Schoenherr	D23/238
D820,397 S *	6/2018	Ravassa	D23/238
D861,134 S *	9/2019	Diefenbach	D23/238

(30) **Foreign Application Priority Data**

Oct. 9, 2020 (EM) 008198089-0001

(51) **LOC (14) Cl.** **23-01**

(52) **U.S. Cl.**
USPC **D23/238**

(58) **Field of Classification Search**
USPC D23/238, 241–243, 249, 239–240, 250,
D23/252, 254–255, 257; D8/307–308
See application file for complete search history.

(56) **References Cited**

U.S. PATENT DOCUMENTS

D517,169 S *	3/2006	Ogata	D23/238
D645,938 S *	9/2011	Ando	D23/238
D726,880 S *	4/2015	Kington	D23/238
D761,941 S	7/2016	Flowers et al.	

FOREIGN PATENT DOCUMENTS

CN	302632463 S	11/2013
CN	303134632 S	3/2015
EM	003731678-0002	3/2017

* cited by examiner

Primary Examiner — Robert A Delehanty

(74) *Attorney, Agent, or Firm* — Lora J. Graentzdoerffer

(57) **CLAIM**

The ornamental design for a faucet, as shown and described.

DESCRIPTION

FIG. 1 is a perspective view of a faucet showing our design; FIG. 2 is a front elevational view; FIG. 3 is a rear elevational view; FIG. 4 is a side elevational view; FIG. 5 is a side elevational view; FIG. 6 is a top plan view; and, FIG. 7 is a bottom plan view.

The broken line disclosures in the view represents portions of a faucet in which the claimed design is embodied, but which forms no part of the claimed design.

1 Claim, 7 Drawing Sheets

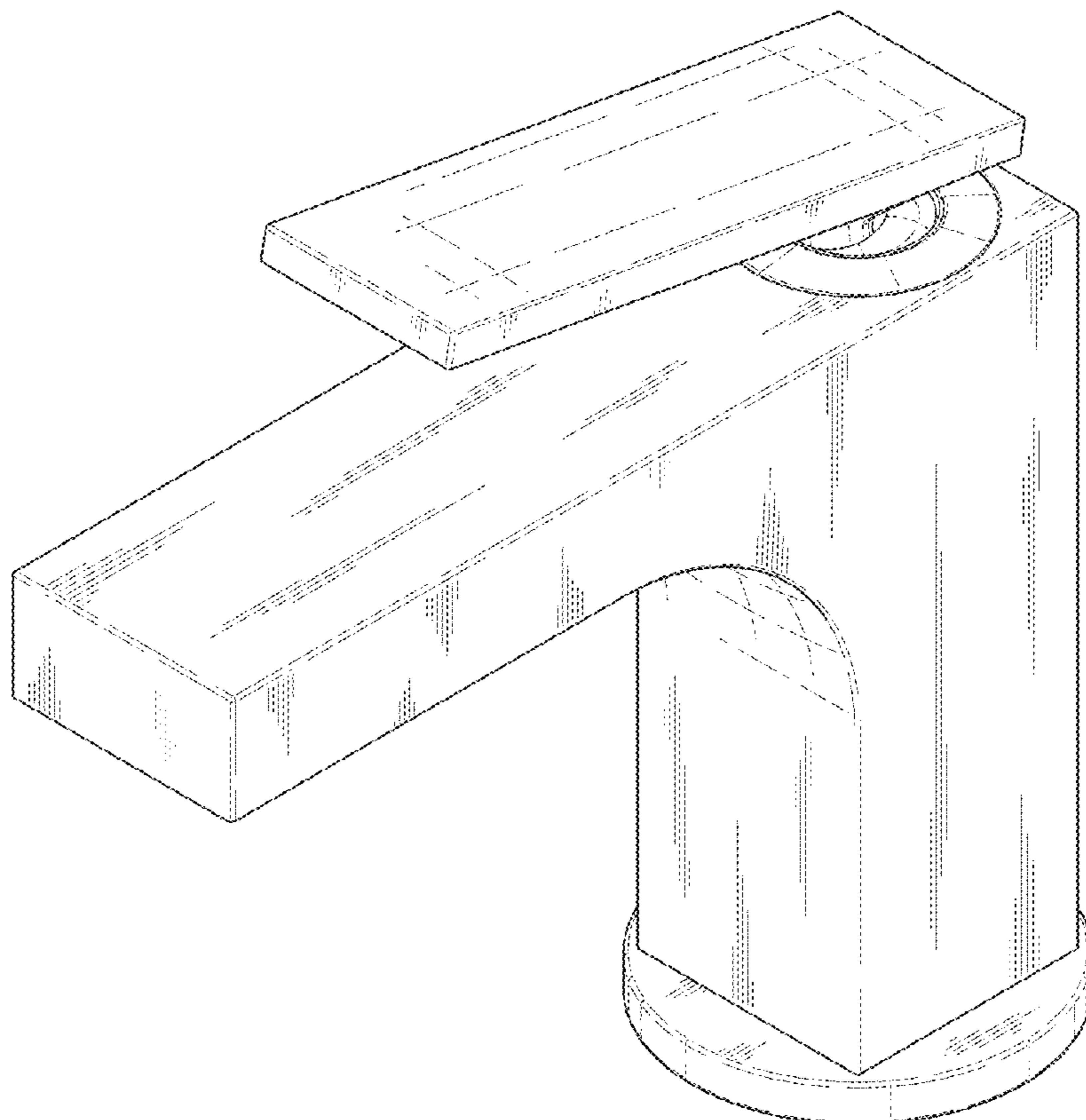


FIG. 1

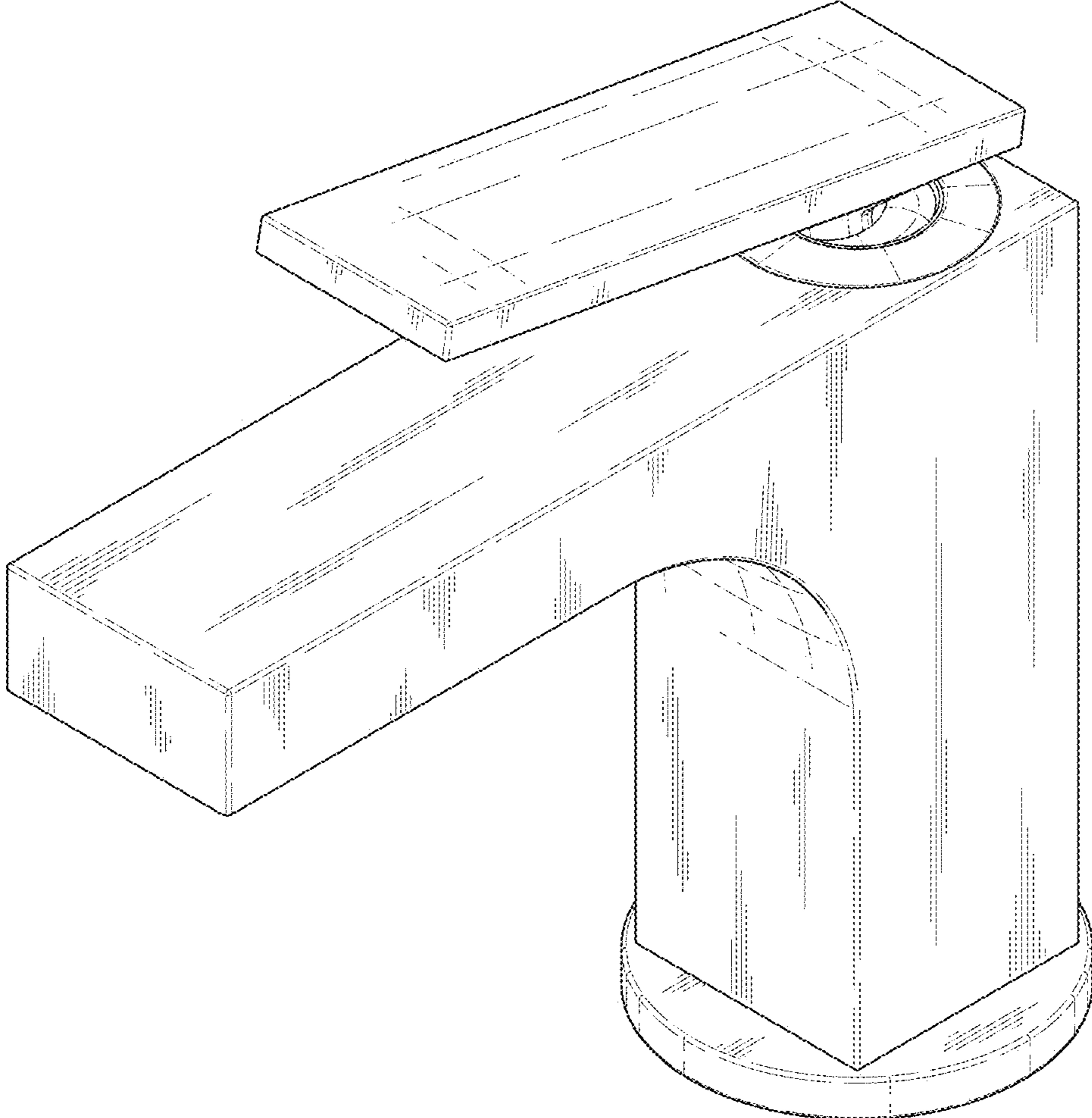


FIG. 2

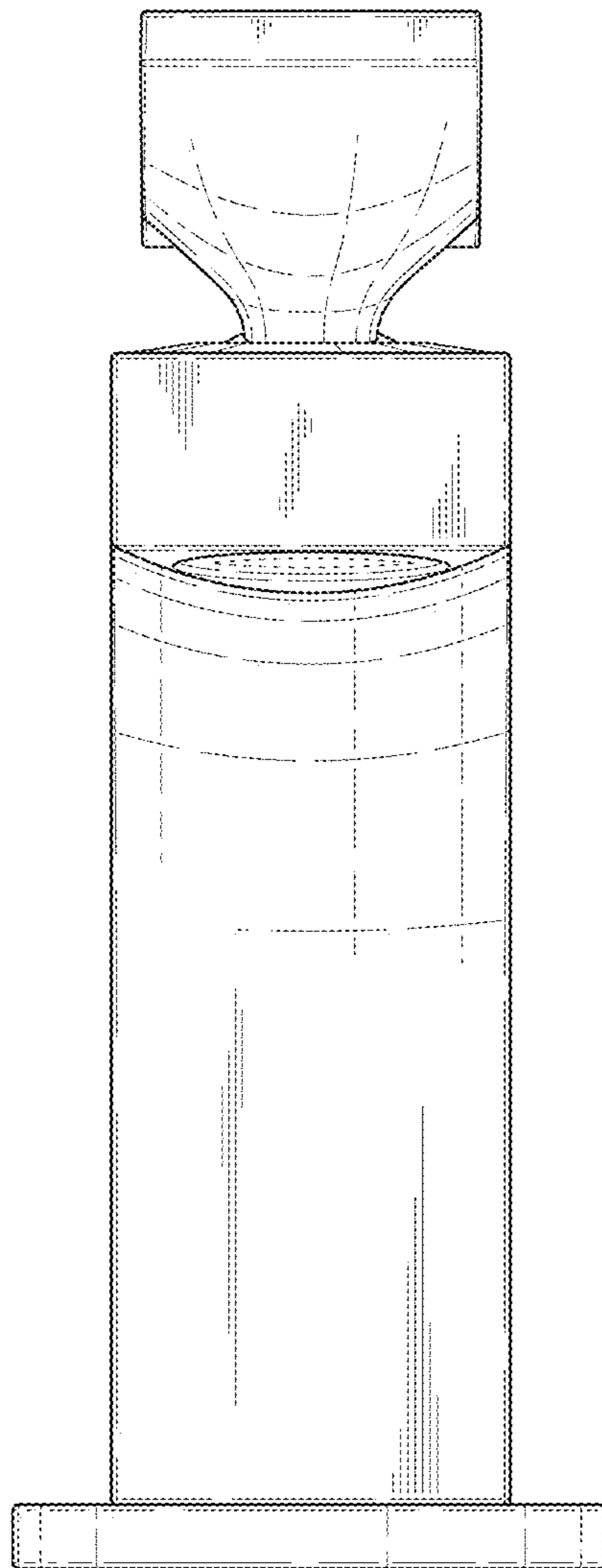


FIG. 3

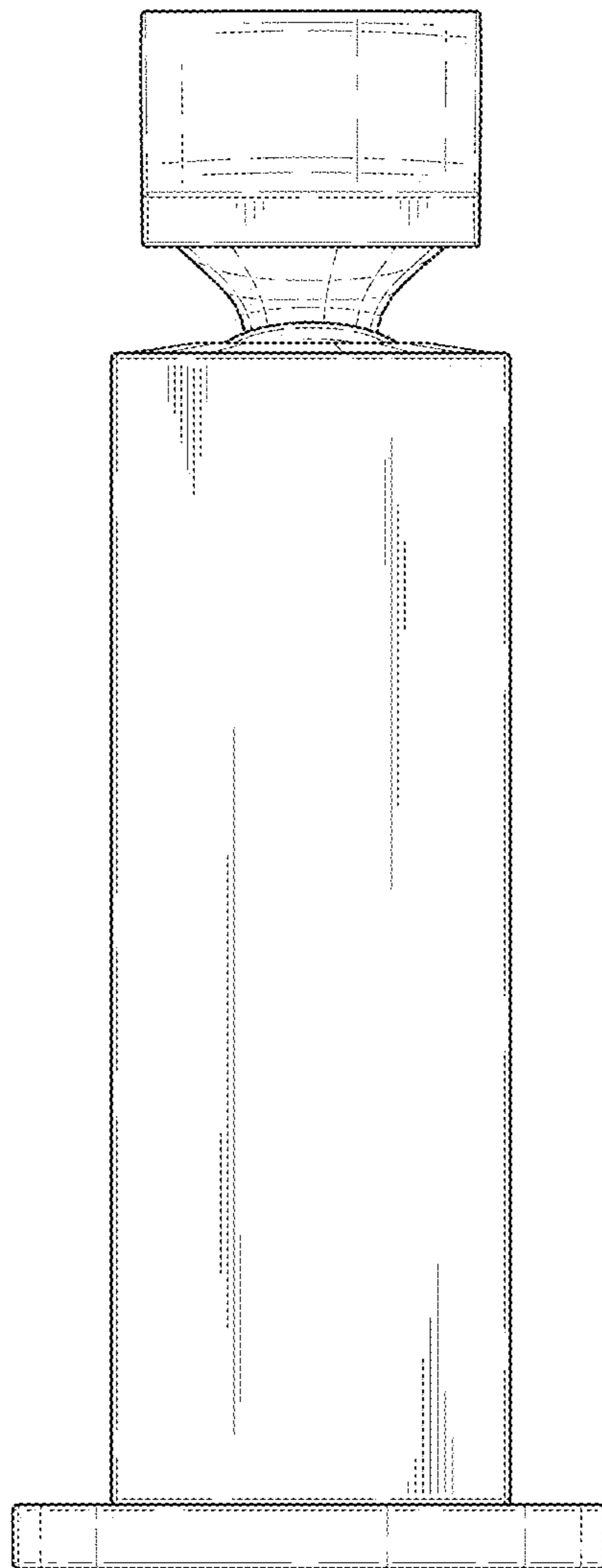


FIG. 4

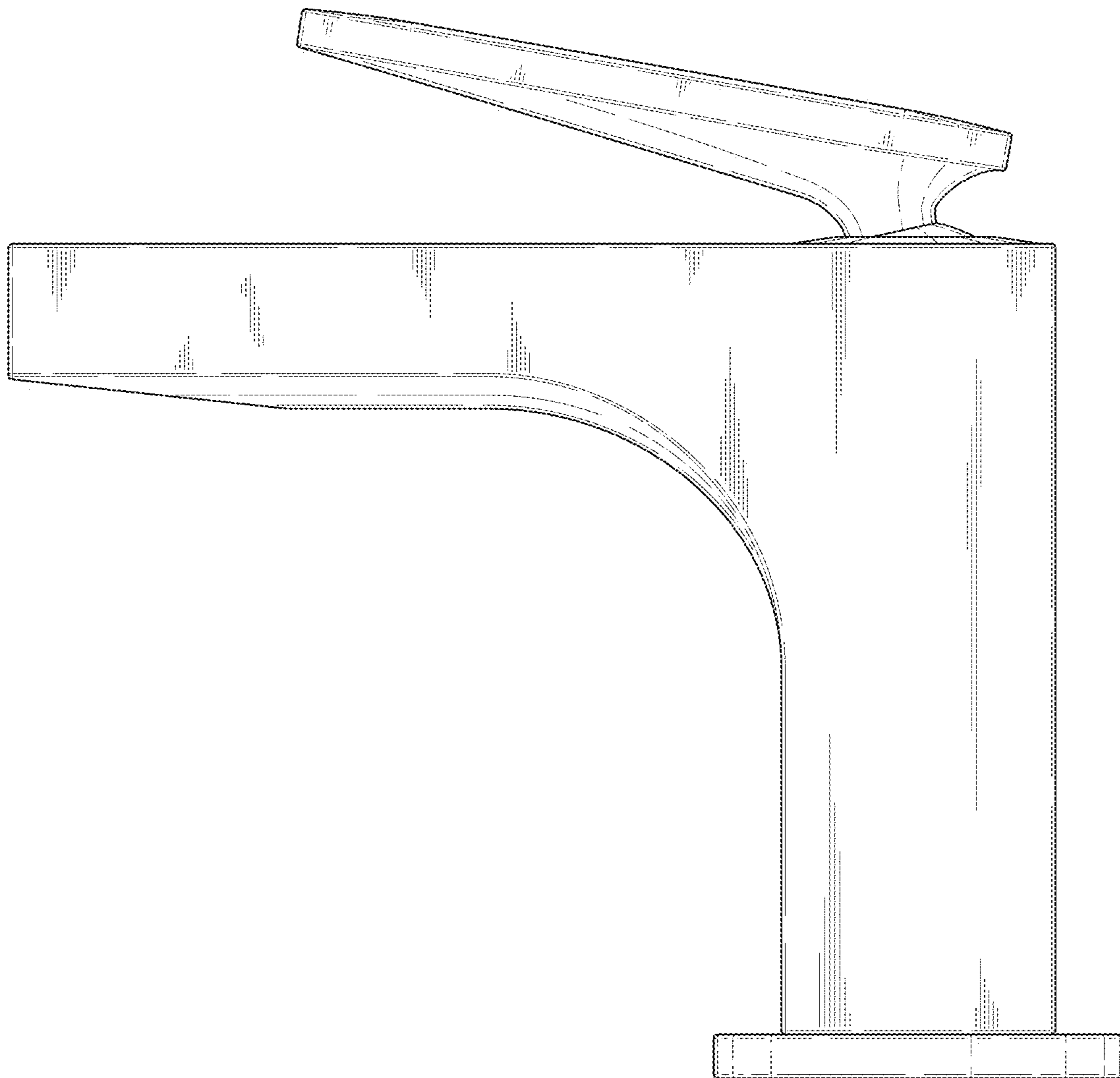


FIG. 5

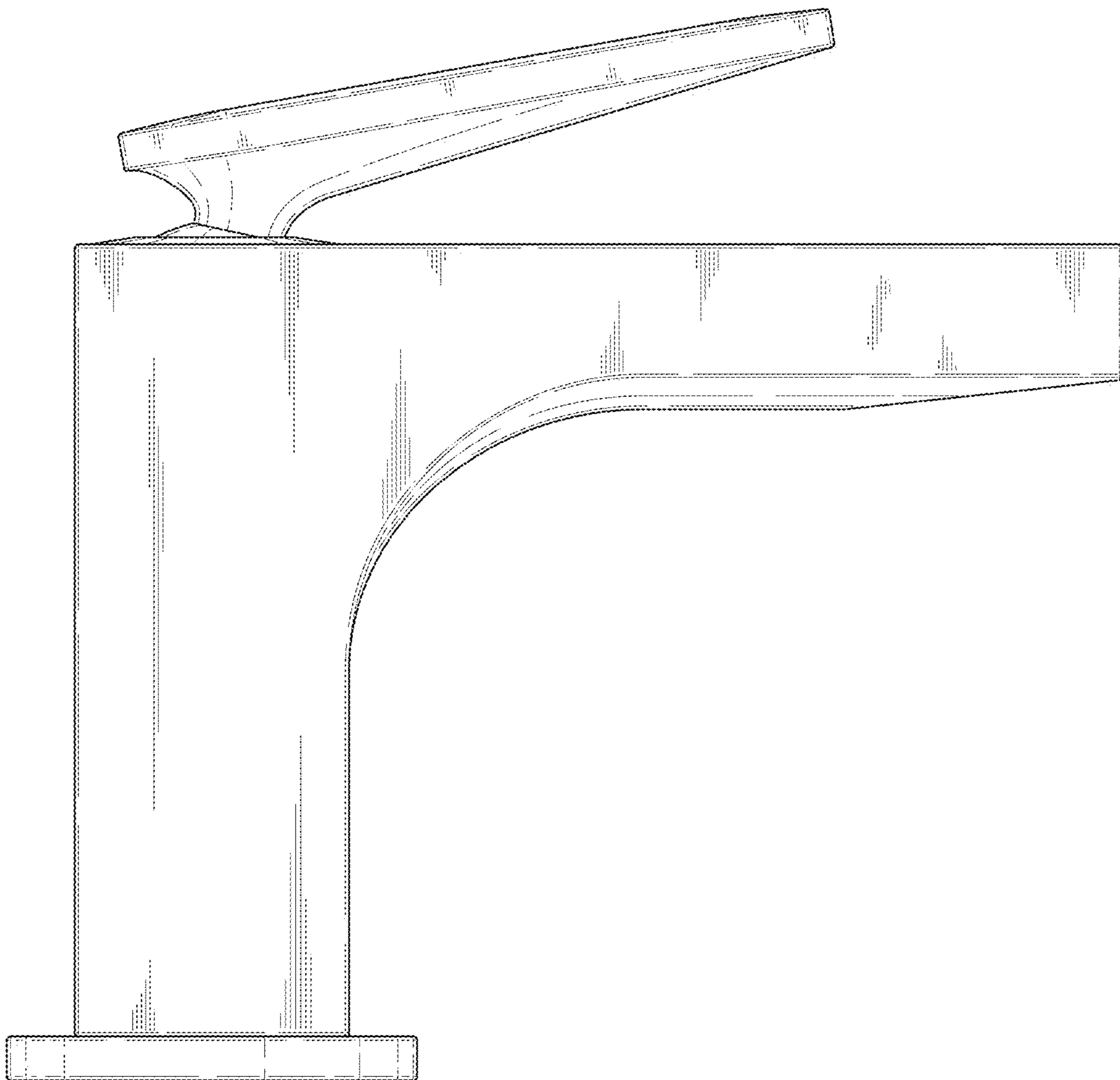


FIG. 6

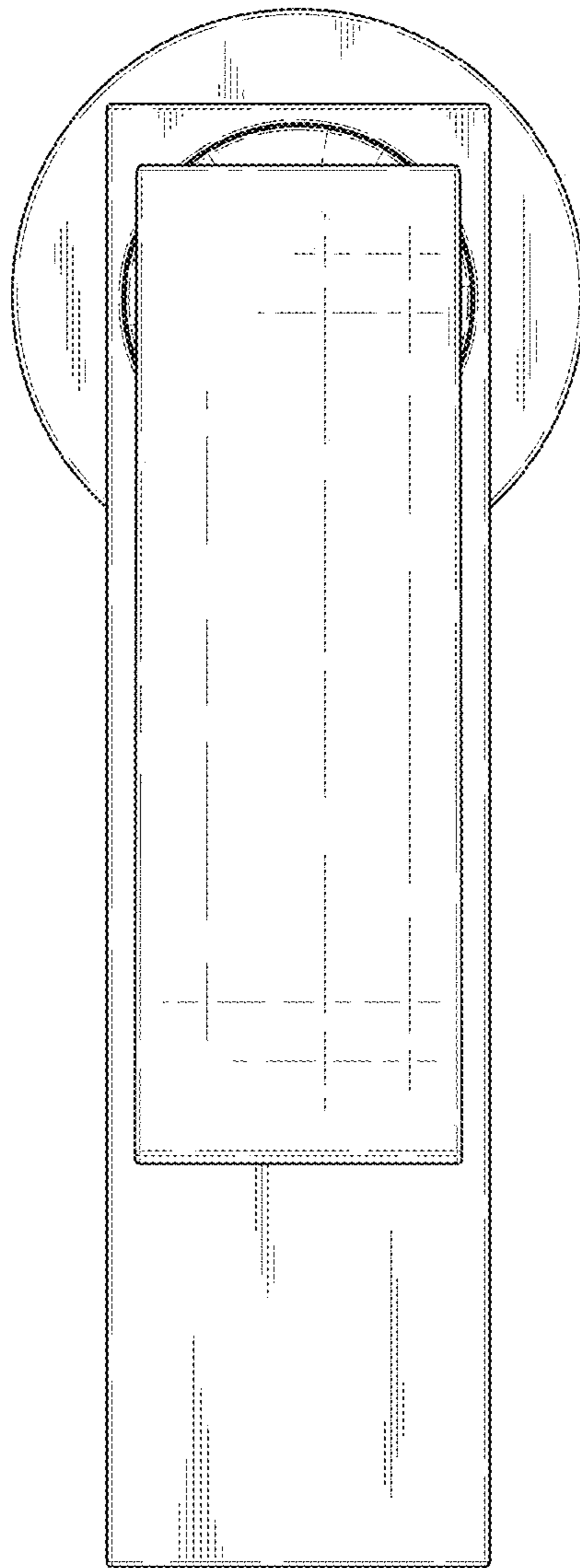


FIG. 7

