



US00D989233S

(12) **United States Design Patent**
Feng

(10) **Patent No.:** **US D989,233 S**
(45) **Date of Patent:** **** Jun. 13, 2023**

- (54) **PORTABLE SHOWER**
- (71) Applicant: **Shenzhen Palaza Technology Co., Ltd.**, Shenzhen (CN)
- (72) Inventor: **Wenjin Feng**, Yangjiang (CN)
- (73) Assignee: **Shenzhen Palaza Technology Co., Ltd.**, Shenzhen (CN)
- (**) Term: **15 Years**
- (21) Appl. No.: **29/889,248**
- (22) Filed: **Apr. 10, 2023**
- (51) **LOC (14) Cl.** **23-01**
- (52) **U.S. Cl.**
USPC **D23/225**; D23/202
- (58) **Field of Classification Search**
USPC D23/202, 213, 225
CPC B05B 9/08; B05B 9/0816; B05B 7/2443;
B05B 7/2408; B05B 7/2421
See application file for complete search history.

- D670,787 S * 11/2012 Kang D23/225
 - D670,788 S * 11/2012 Plantz D23/225
 - D673,645 S * 1/2013 Delorme D23/202
 - D698,889 S * 2/2014 Zabalo Ondarra D23/202
 - 8,672,364 B2 * 3/2014 Schrum B05B 9/0406
285/33
 - 8,757,446 B1 * 6/2014 Liu B65D 83/42
222/153.04
 - D731,027 S * 6/2015 Sanz Perez D23/225
 - D743,505 S * 11/2015 Clarey D23/225
- (Continued)

OTHER PUBLICATIONS

CLICIC 8 L (2 Gallon) Pressure Sprayer with 7 Spray Modes, Camping Shower, Aug. 14, 2020, amazon.ca, Apr. 27, 2023, URL: <https://www.amazon.ca/CLICIC-Pressure-Sprayer-Removable-Traveling/dp/B08FM2RCX6/> (Year: 2020).*

Primary Examiner — Keith J Wilson
(74) *Attorney, Agent, or Firm* — Georgi Korobanov

(57) **CLAIM**

The ornamental design for a portable shower, as shown and described.

DESCRIPTION

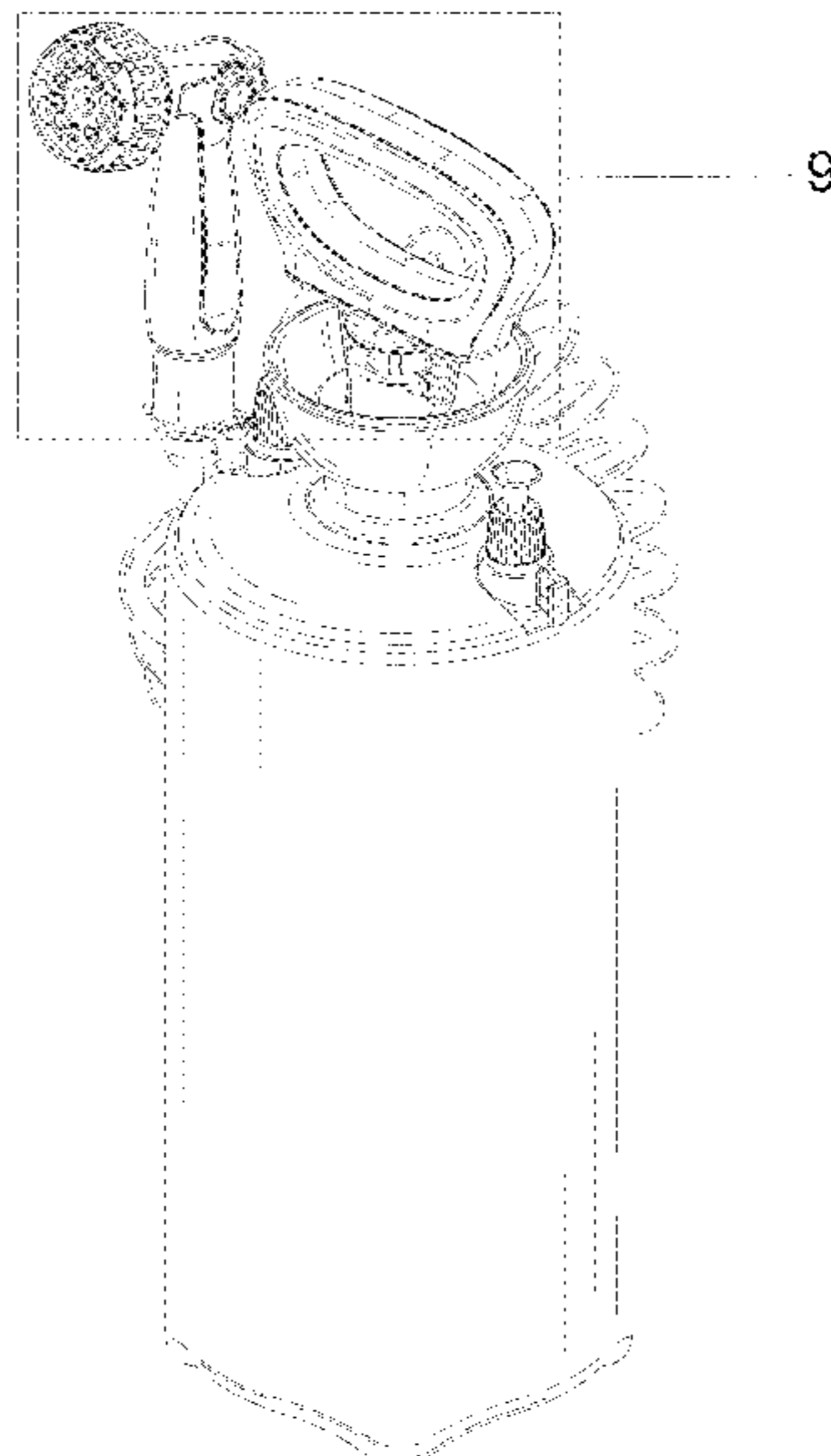
FIG. 1 is a front, right and top perspective view of a portable shower, showing my new design;
FIG. 2 is a rear, left and bottom perspective view thereof;
FIG. 3 is a front view thereof;
FIG. 4 is a rear view thereof;
FIG. 5 is a left side view thereof;
FIG. 6 is a right side view thereof;
FIG. 7 is a top plan view thereof;
FIG. 8 is a bottom plan view thereof;
FIG. 9 is an enlarged view of portion of FIG. 1 thereof; and,
FIG. 10 is an enlarged view of portion of FIG. 2 thereof.
The dot-dash broken lines depict the boundaries of the enlargements that form no part of the claimed design.

1 Claim, 10 Drawing Sheets

(56) **References Cited**

U.S. PATENT DOCUMENTS

- D288,586 S * 3/1987 Moskalik D23/225
- D312,297 S * 11/1990 Ballu D23/225
- 5,072,884 A * 12/1991 Ellison A01M 7/0085
215/365
- D327,528 S * 6/1992 Sears D23/225
- D516,168 S * 2/2006 Leer D23/225
- 7,260,955 B1 * 8/2007 Uranga B05B 9/0816
62/244
- D614,263 S * 4/2010 Hudson D23/225
- D639,388 S * 6/2011 Plantz D23/225
- 7,971,803 B1 * 7/2011 Barlowe B05B 9/0816
239/525
- D647,999 S * 11/2011 Hudson D23/225
- D649,624 S * 11/2011 Hudson D23/225
- 8,205,808 B2 * 6/2012 Leer B05B 9/0816
222/401



(56)

References Cited

U.S. PATENT DOCUMENTS

D749,698 S * 2/2016 Pereira Dos Reis D23/225
D749,699 S * 2/2016 Nicolia D23/202
D751,670 S * 3/2016 Loiti Urquia D23/225
D752,725 S 3/2016 Davis
D761,385 S 7/2016 Crawford
D800,253 S * 10/2017 Oyarbide D23/225
D815,713 S * 4/2018 Ip D23/202
D822,161 S * 7/2018 Bonaventura D23/225
D869,609 S * 12/2019 Loiti Urquia D23/225
2003/0019954 A1 * 1/2003 Clarke B05B 9/0816
239/333
2010/0123026 A1 * 5/2010 Leer B05B 9/0816
239/333
2010/0327079 A1 * 12/2010 Wu A01M 7/0046
239/288
2014/0034685 A1 * 2/2014 Meyers B05B 11/30
222/401
2017/0106385 A1 * 4/2017 Schrum B05B 9/043

* cited by examiner

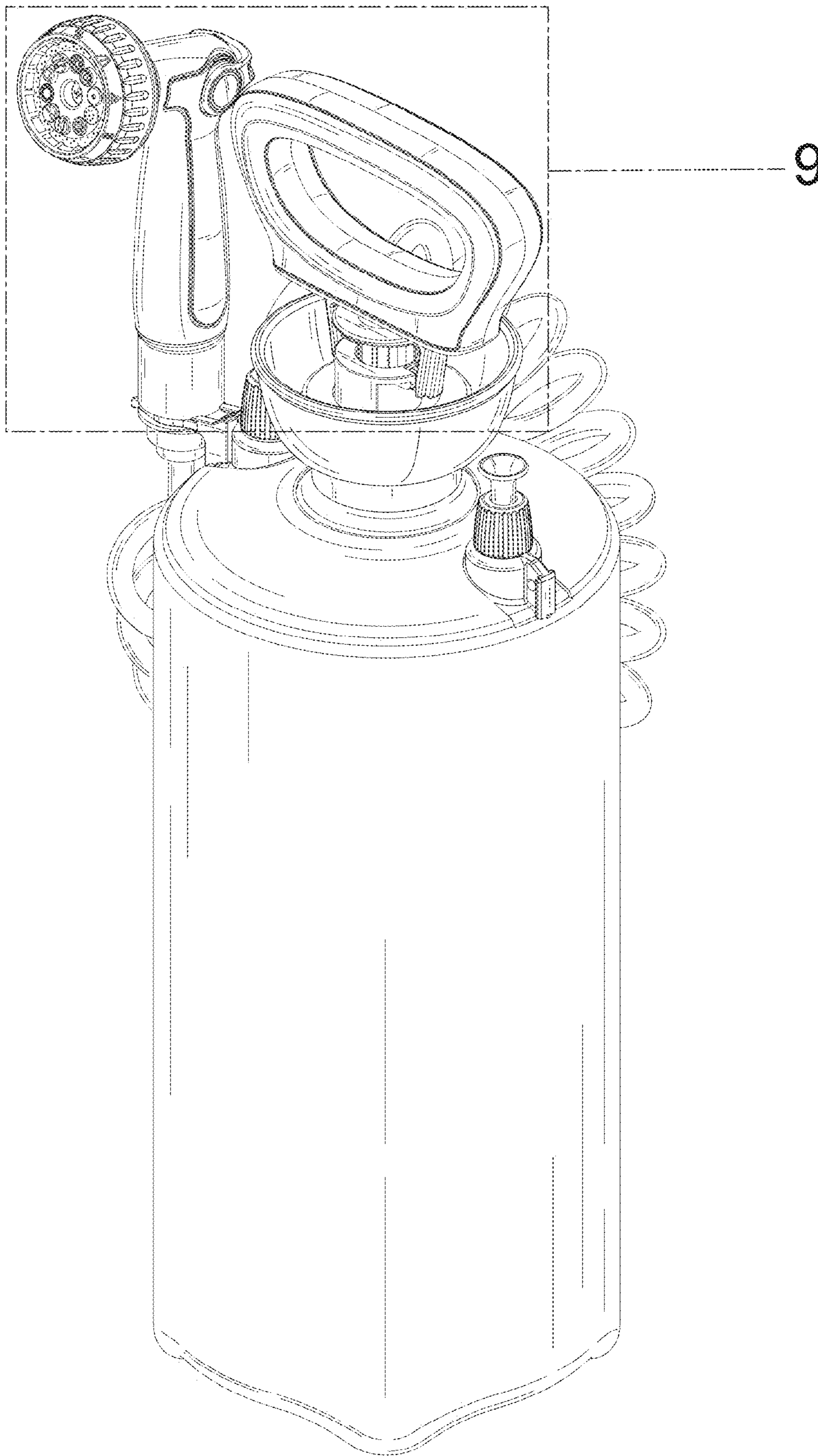


FIG. 1

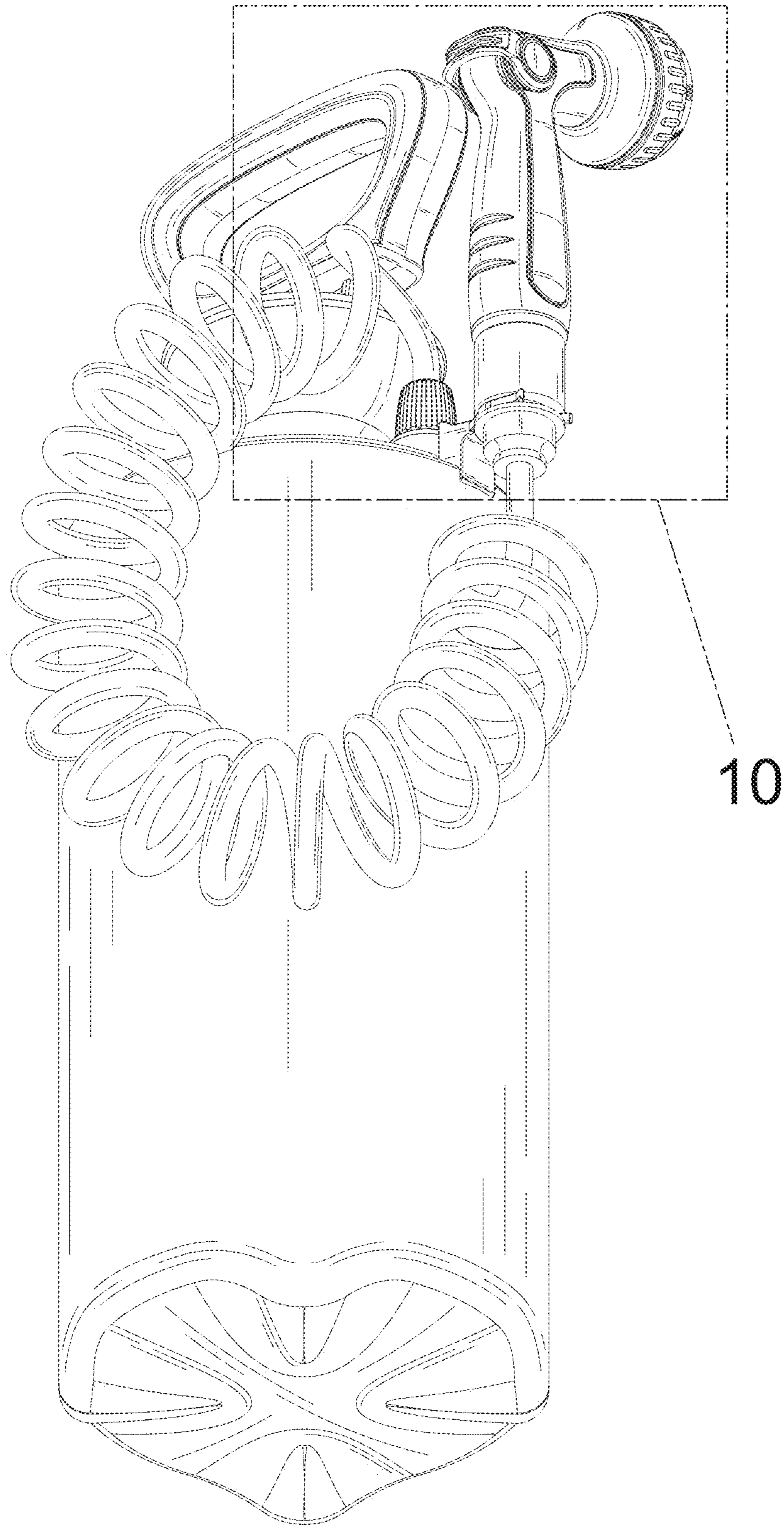


FIG. 2

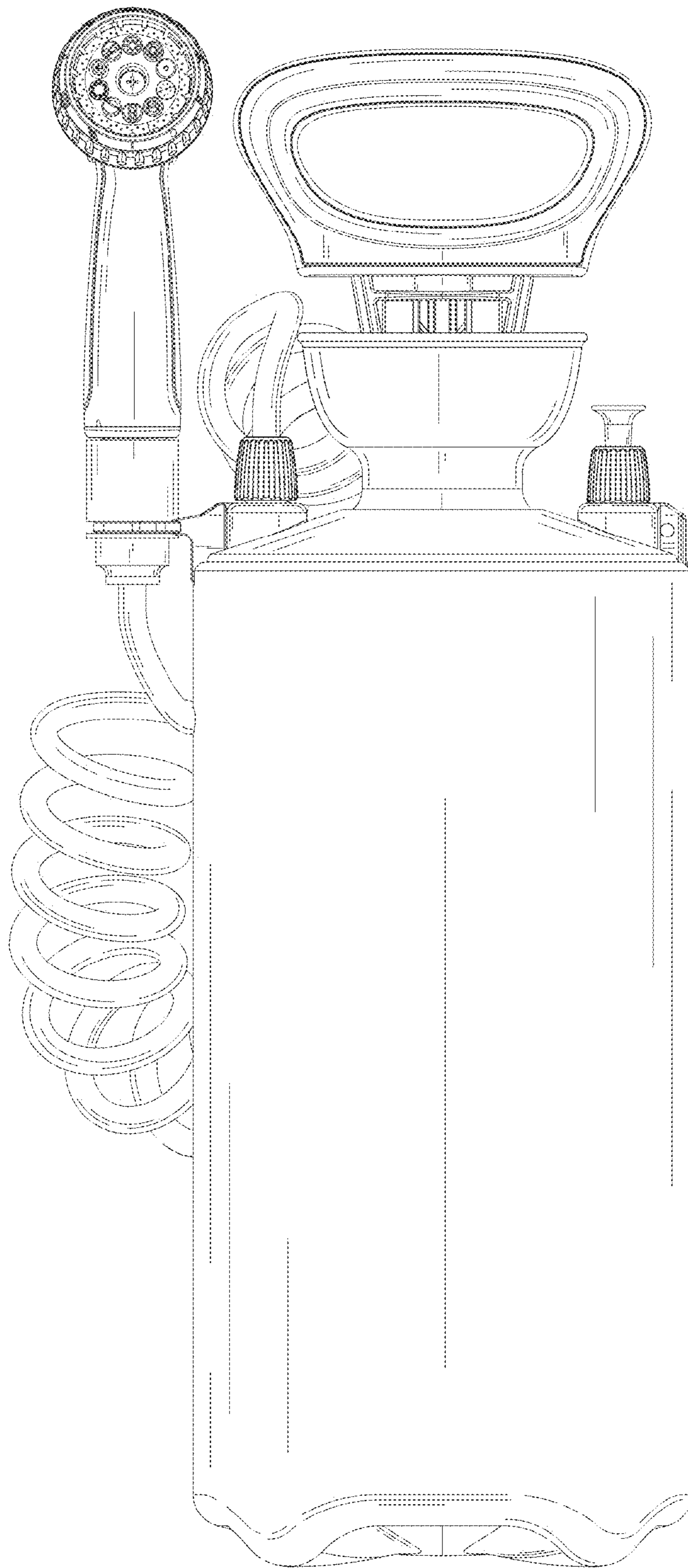


FIG. 3

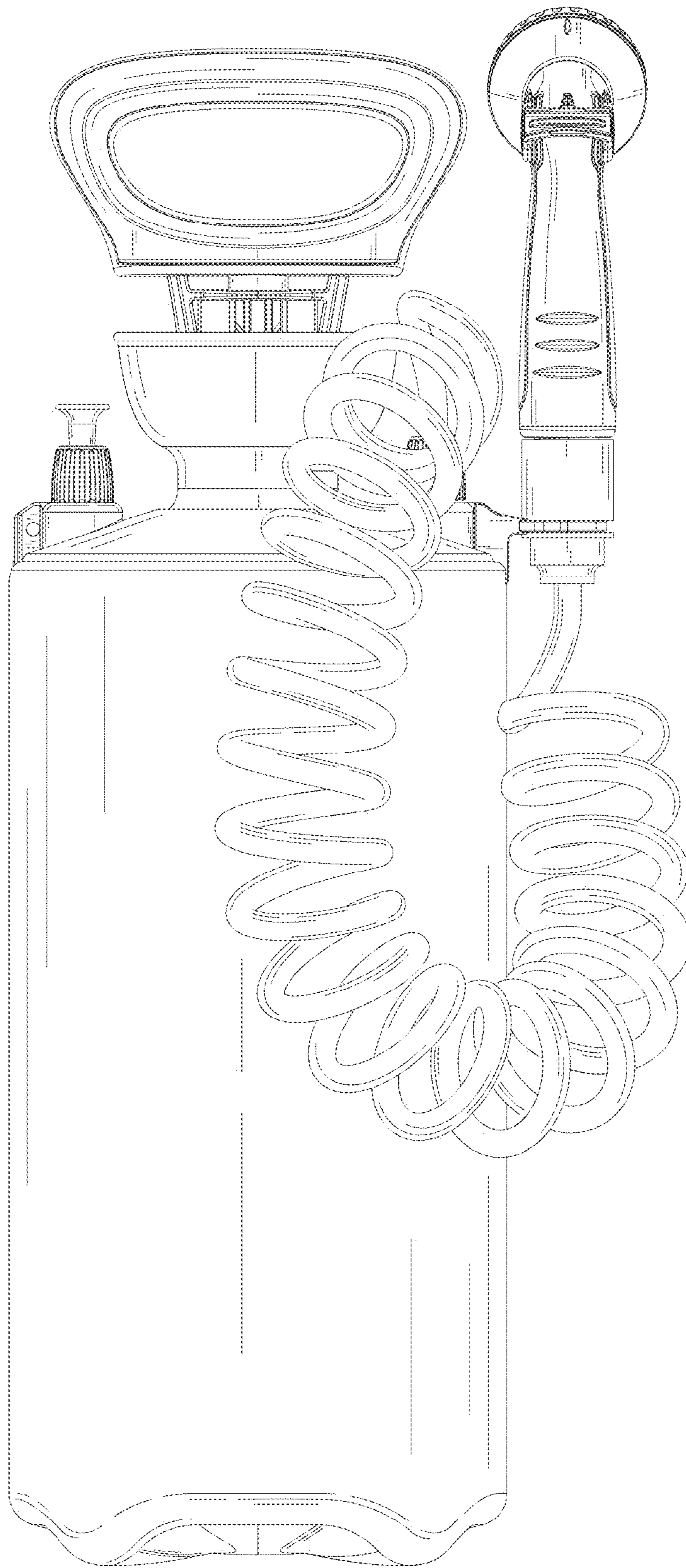


FIG. 4

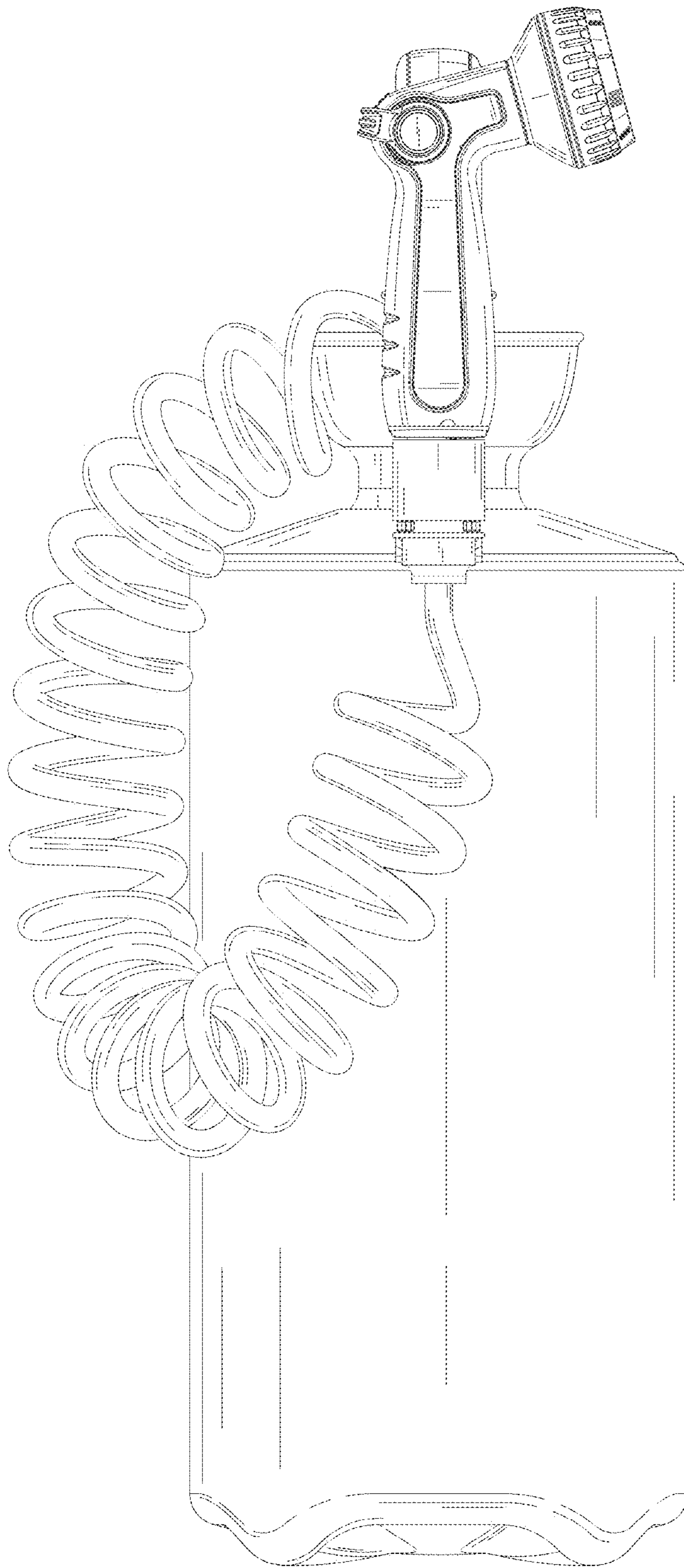


FIG. 5

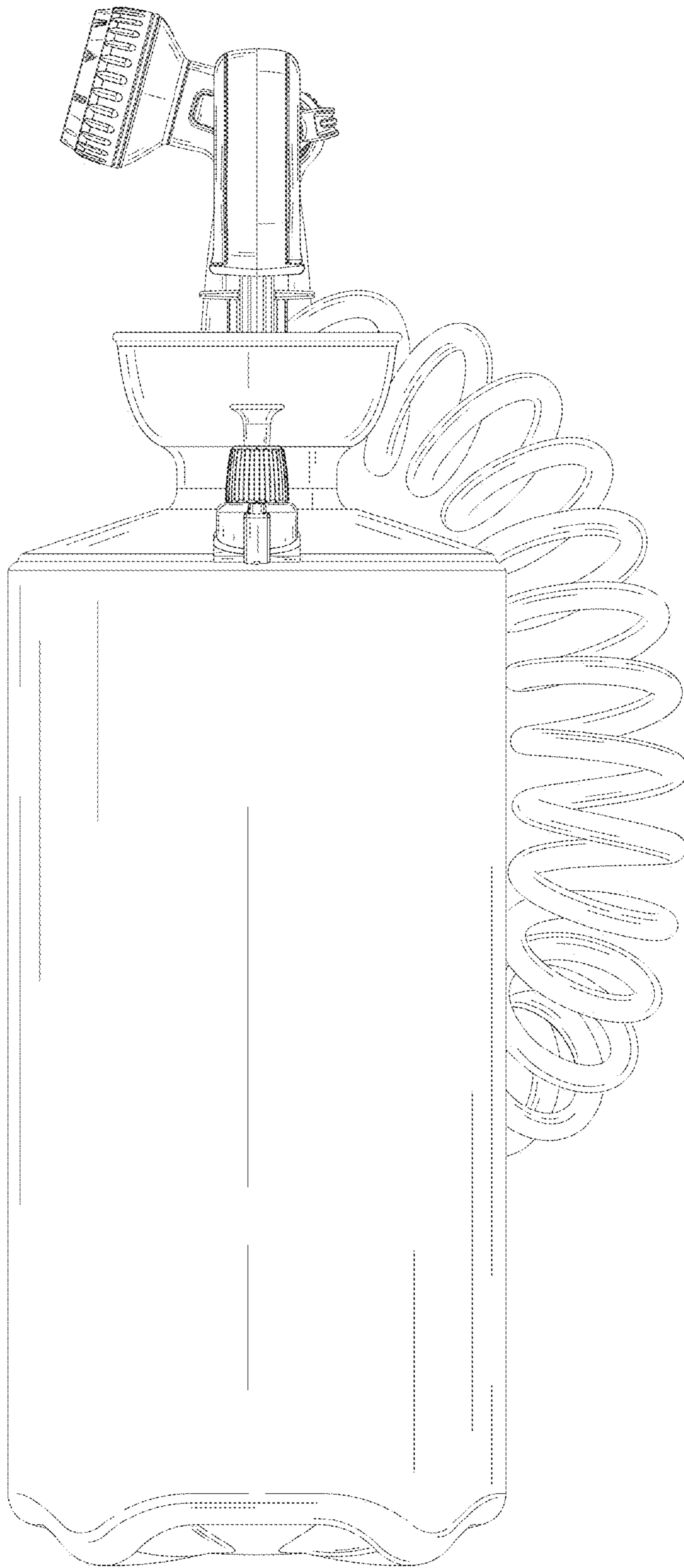


FIG. 6

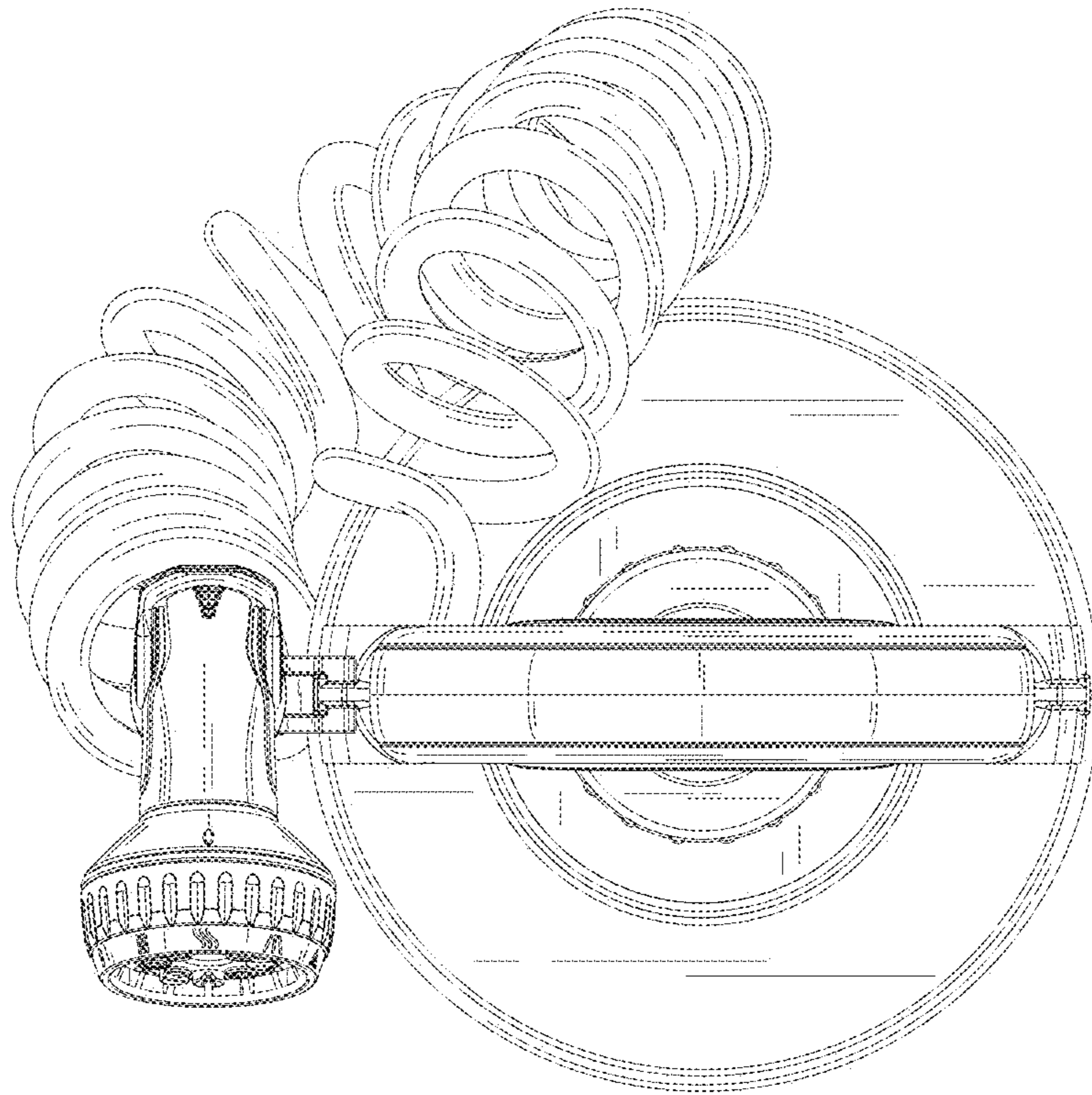


FIG. 7

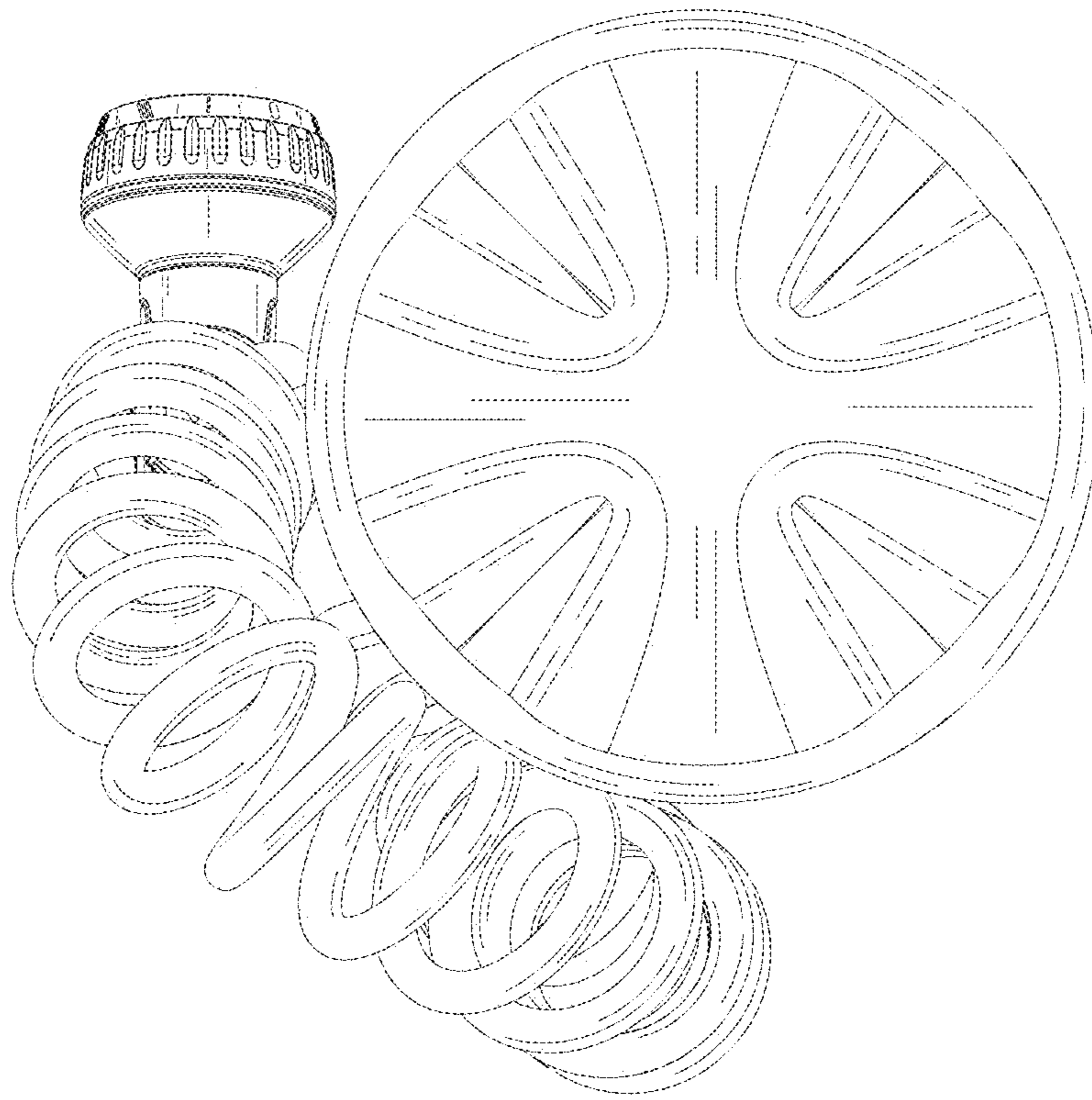


FIG. 8

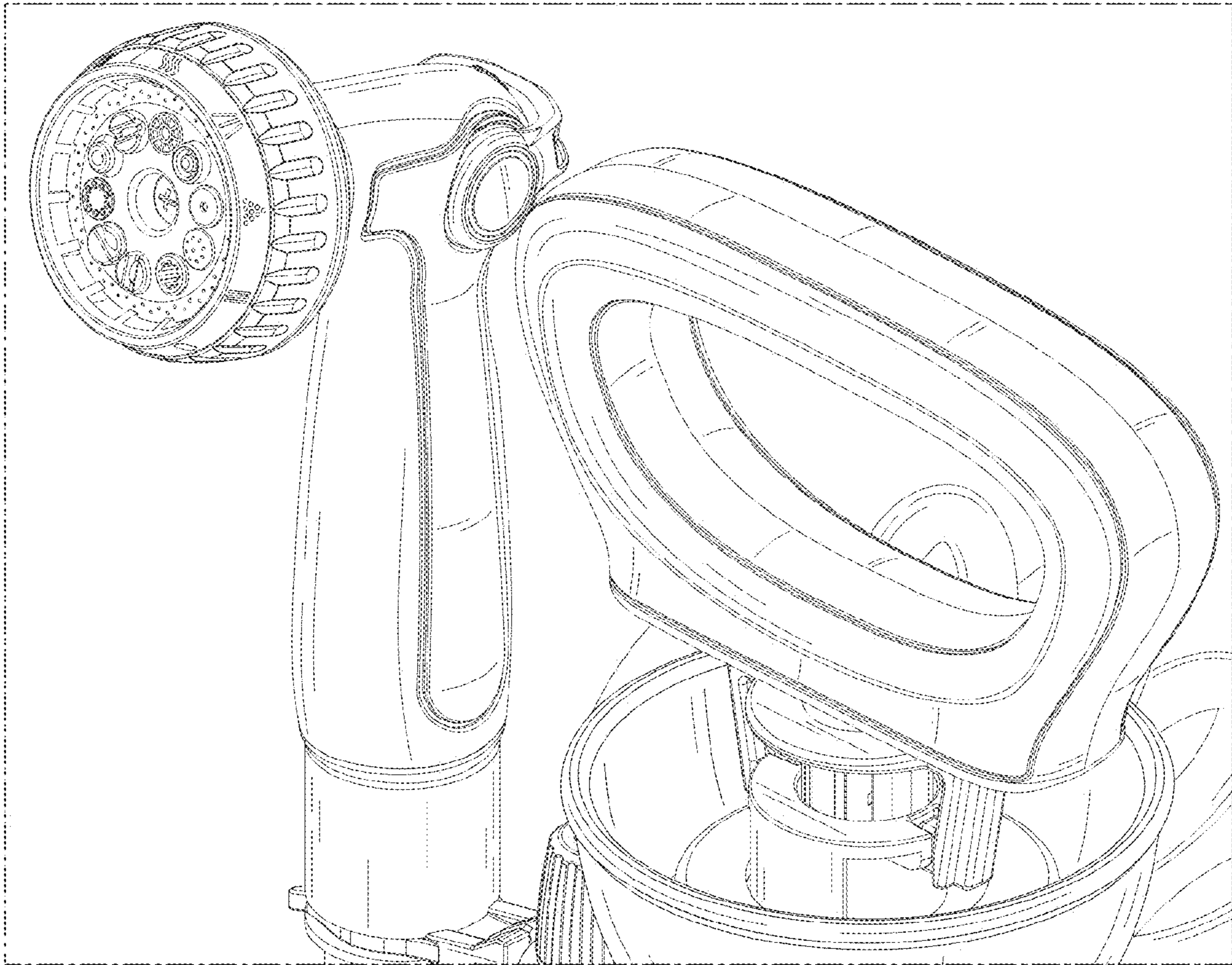


FIG. 9

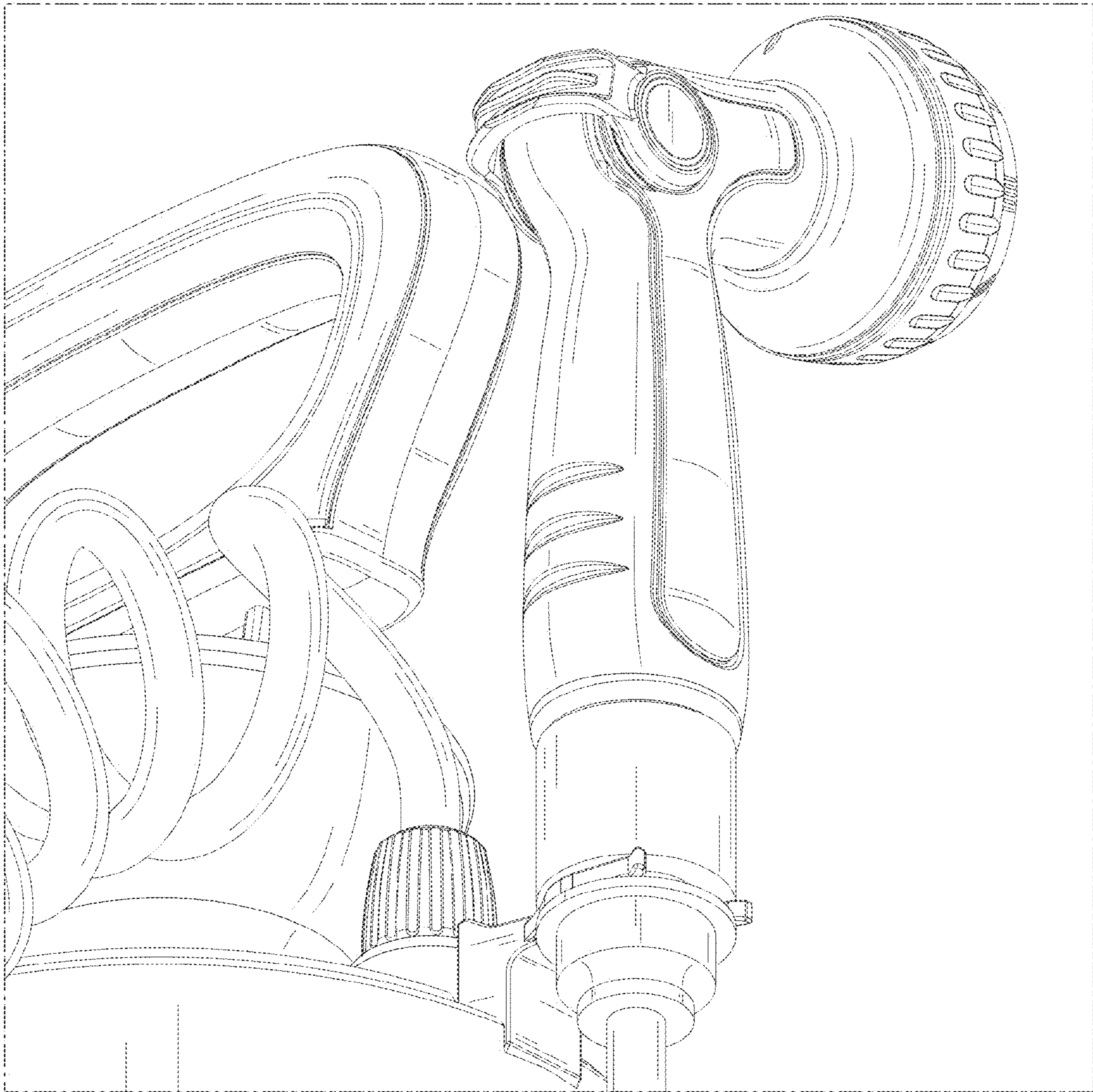


FIG. 10