



US00D989231S

(12) **United States Design Patent**
Choi

(10) **Patent No.:** **US D989,231 S**
(45) **Date of Patent:** **** Jun. 13, 2023**

(54) **STERILIZER**

(71) Applicant: **Doo Hyun Choi**, Gyeonggi-do (KR)

(72) Inventor: **Doo Hyun Choi**, Gyeonggi-do (KR)

(73) Assignee: **PARTICLE CO., LTD.**,
Chungcheongnam-Do (KR)

(**) Term: **15 Years**

(21) Appl. No.: **29/752,186**

(22) Filed: **Sep. 25, 2020**

(30) **Foreign Application Priority Data**

Mar. 27, 2020 (KR) 30-2020-0013780

(51) **LOC (14) Cl.** **23-01**

(52) **U.S. Cl.**
USPC **D23/223**

(58) **Field of Classification Search**

USPC D23/208, 213, 214, 223, 225, 226
CPC .. B05B 5/00; B05B 5/025; B05B 5/03; B05B
5/035; B05B 5/16; B05B 5/1691; B05B
7/00; B05B 7/02; B05B 7/12; B05B
7/129; B05B 7/24; B05B 7/2464; B05B
7/2475; B05B 9/00; B05B 9/005; B05B
9/01; B05B 9/0403; B05B 9/0426; B05B
9/08; B05B 9/085; B05B 9/0861; B05B
12/002

See application file for complete search history.

(56) **References Cited**

U.S. PATENT DOCUMENTS

D271,613 S * 11/1983 Watkins D23/225
D334,972 S * 4/1993 Berfield D23/225
D536,063 S * 1/2007 Childs D23/213
D743,000 S * 11/2015 Moya D23/225
D809,100 S * 1/2018 Hong D8/2

9,878,337 B1 * 1/2018 Hong B05B 7/0075
D922,523 S * 6/2021 Havlovitz D23/223
D940,825 S * 1/2022 Qiao D23/226
D941,422 S * 1/2022 Wang D23/223
2016/0303335 A1 * 10/2016 Hong A61M 15/0025
2020/0056721 A1 * 2/2020 Lam B05B 7/0815
2022/0016656 A1 * 1/2022 Helmberger B05B 9/0426

OTHER PUBLICATIONS

MedSchenker M10 ULV Fogger, Dec. 17, 2021, YouTube, site visited Apr. 11, 2022: <https://www.youtube.com/watch?v=vkKxETTaDKc> (Year: 2021).*

Medd Max ULV Cold Fogger, Aug. 25, 2020, Amazon, site visited Apr. 11, 2022: <https://www.amazon.com/dp/B08GLH898X/> (Year: 2020).*

Ryobi Cordless Fogger-Mister, Jan. 1, 2019, Home Depot, site visited Apr. 11, 2022: <https://www.homedepot.com/p/RYOBI-ONE-18V-Cordless-Battery-Fogger-Mister-with-2-0-Ah-Battery-and-Charger-P2850/307244559> (Year: 2019).*

* cited by examiner

Primary Examiner — Jack Reickel

Assistant Examiner — Bobby W Jones, II

(74) *Attorney, Agent, or Firm* — The PL Law Group, PLLC

(57) **CLAIM**

The ornamental design for a sterilizer, as shown and described herein.

DESCRIPTION

FIG. 1 is a perspective view of the invention;

FIG. 2 is a front view thereof;

FIG. 3 is a rear view thereof;

FIG. 4 is a left side view thereof;

FIG. 5 is a right side view thereof;

FIG. 6 is a top plan view thereof; and,

FIG. 7 is a bottom plan view thereof.

1 Claim, 7 Drawing Sheets

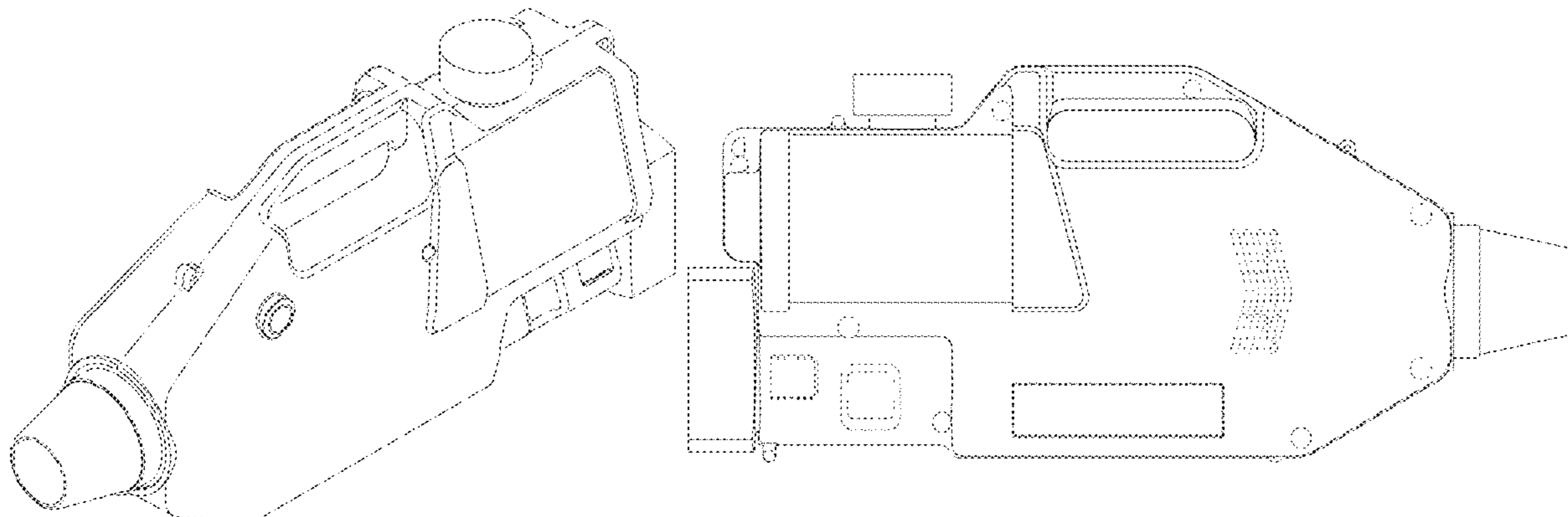


FIG. 1

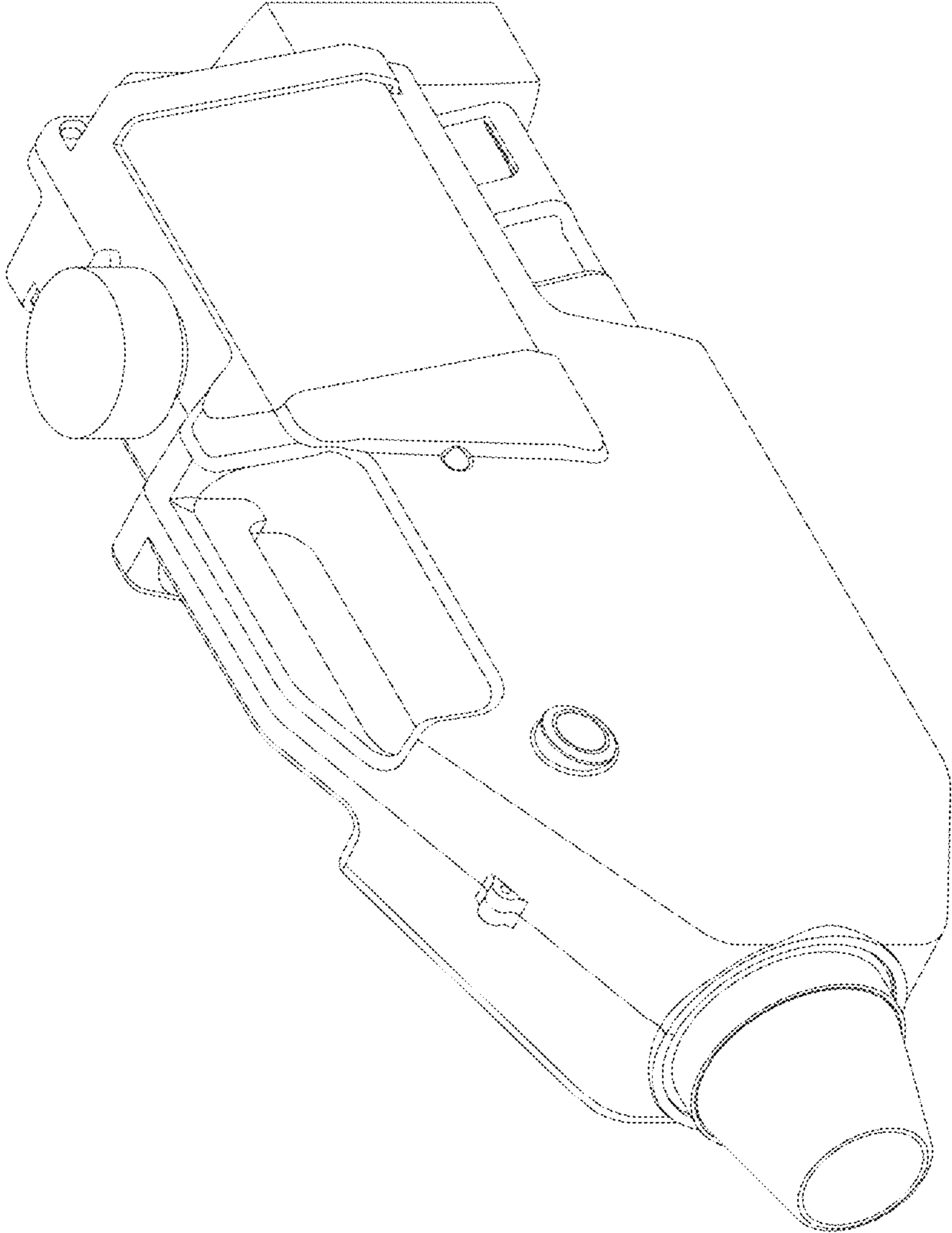


FIG. 2

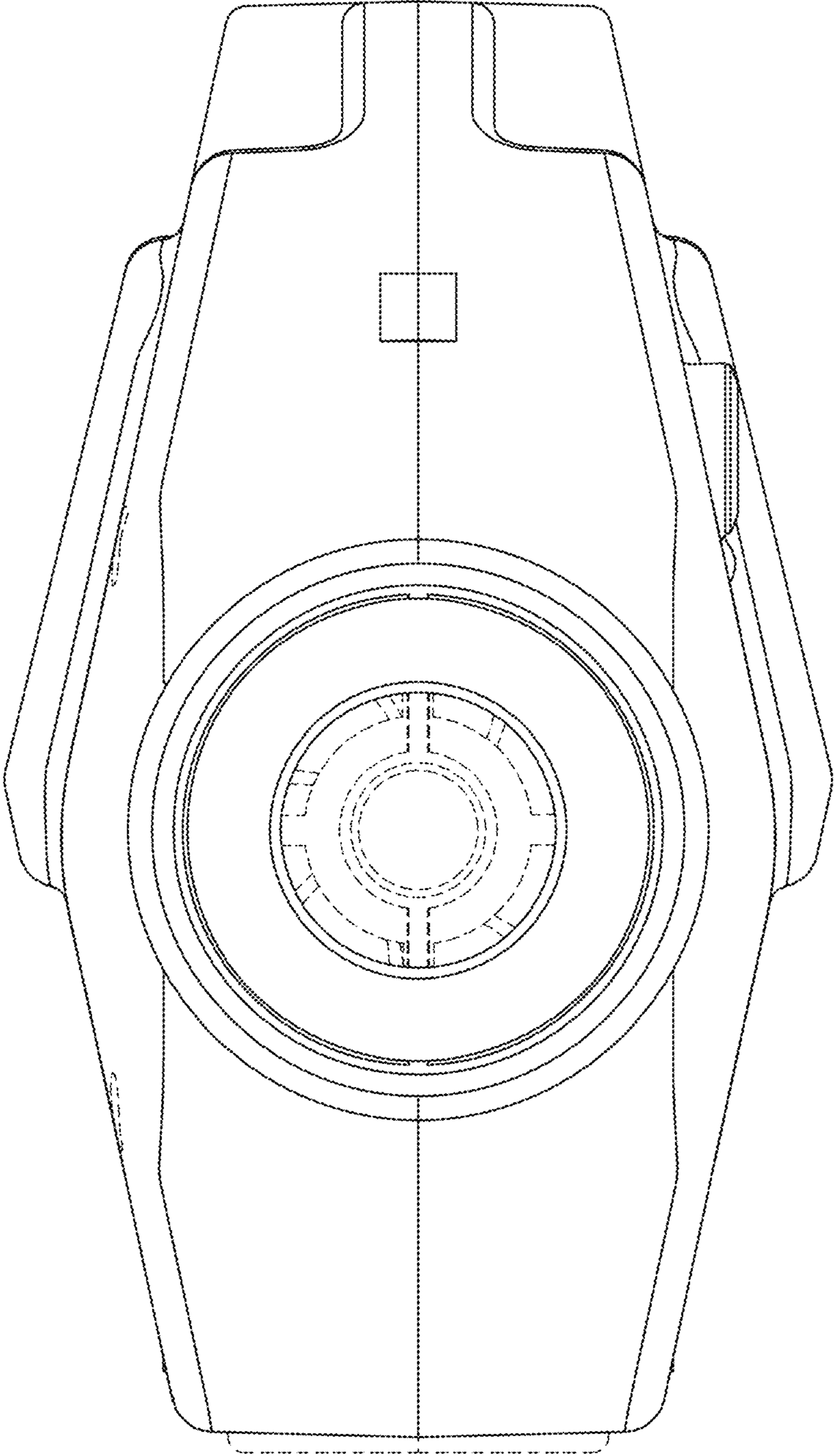


FIG. 3

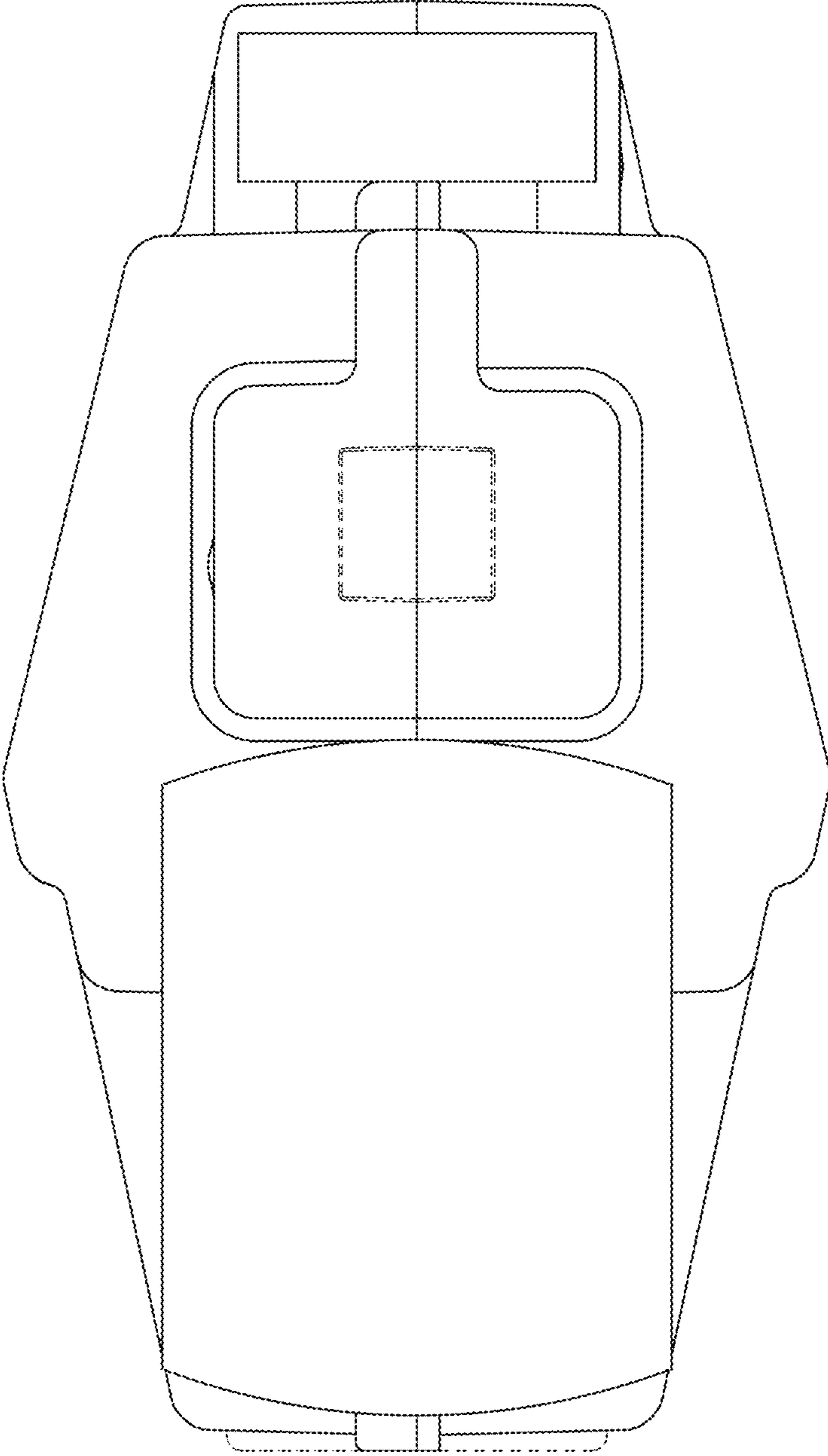


FIG. 4

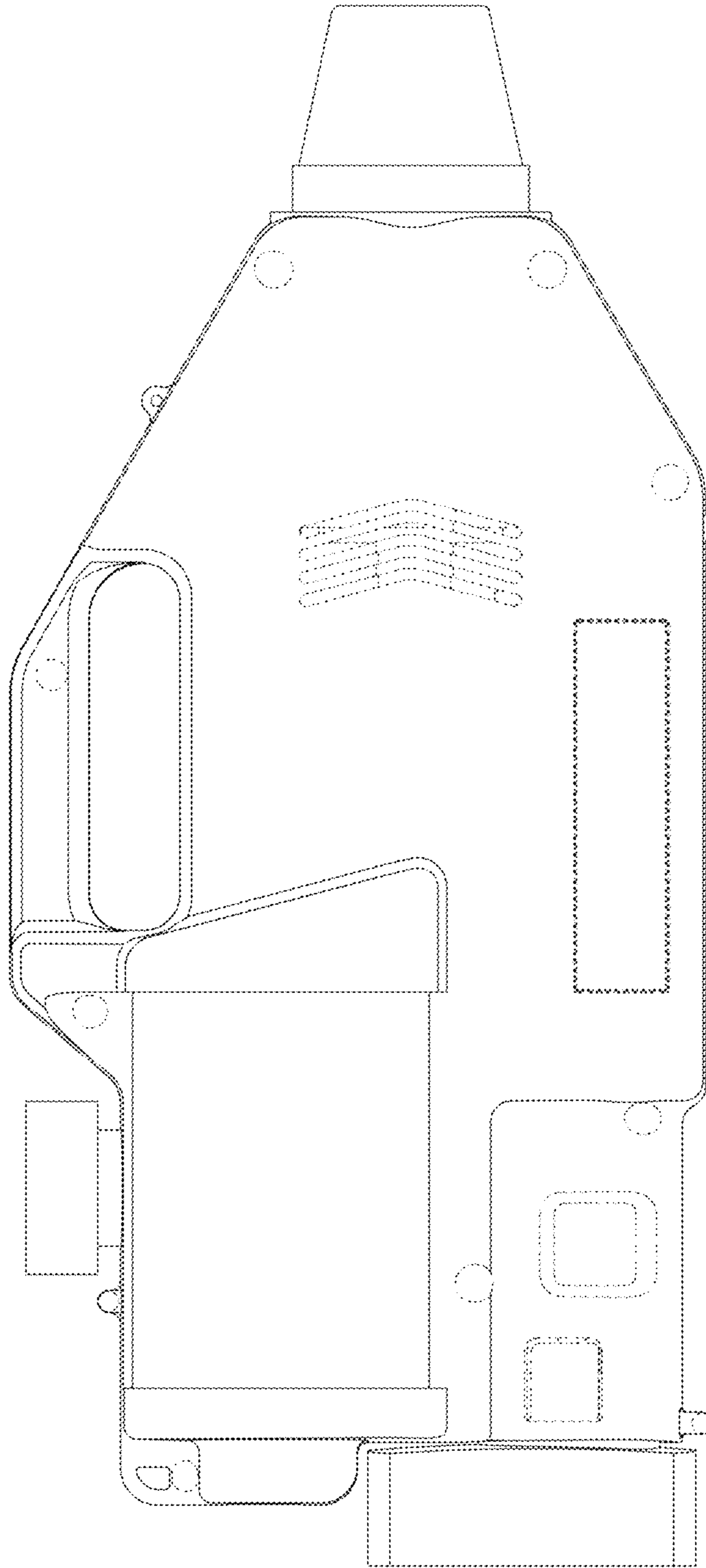


FIG. 5

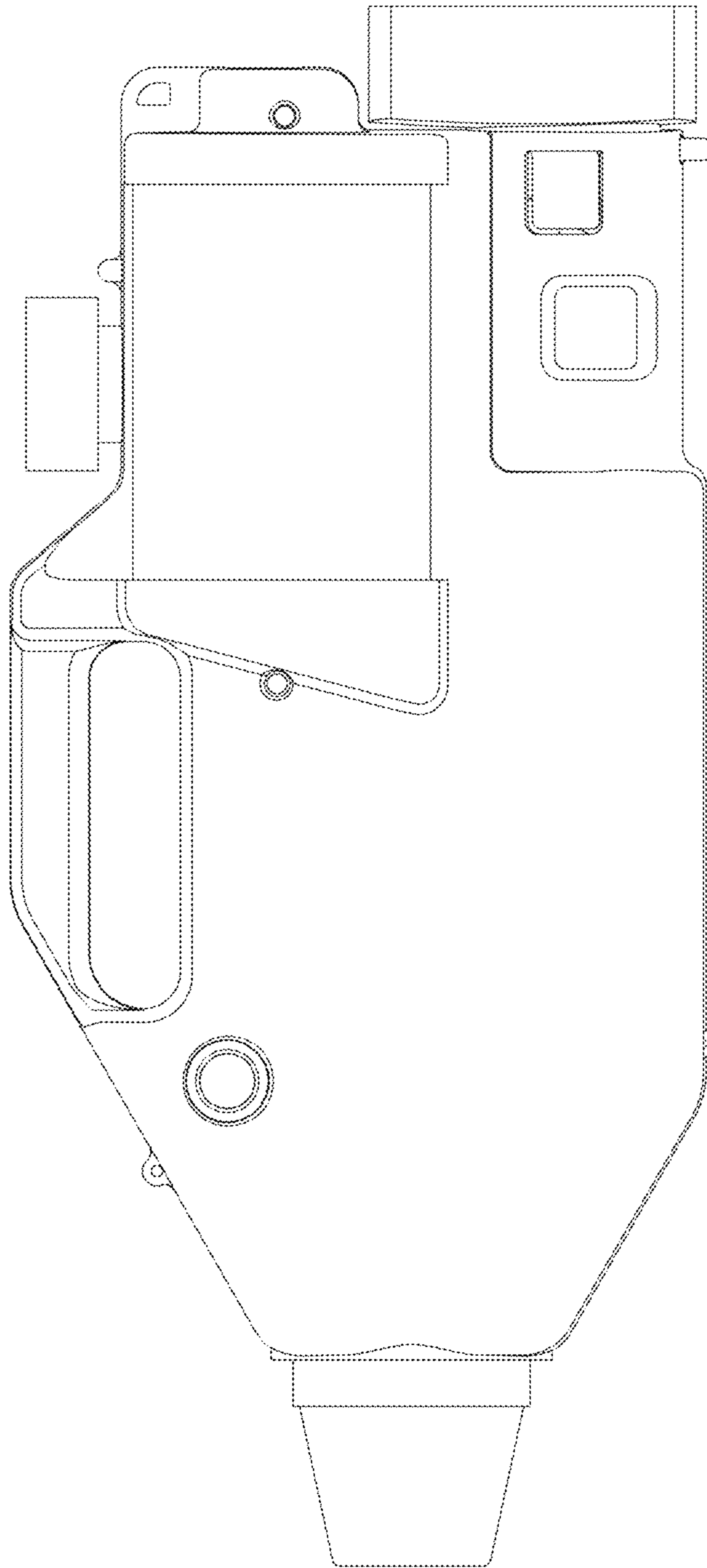


FIG. 6

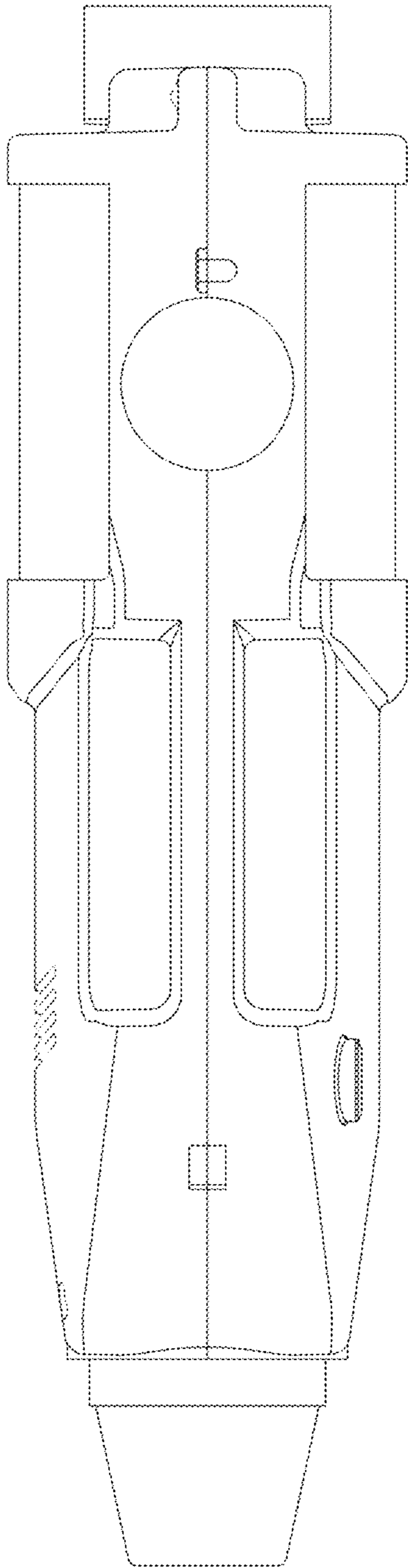


FIG. 7

