



US00D989230S

(12) **United States Design Patent**
Zhou et al.

(10) **Patent No.:** **US D989,230 S**
(45) **Date of Patent:** **** Jun. 13, 2023**

(54) **AERATOR BODY**
(71) Applicant: **Xiamen Water Nymph Sanitary Technology Co., Ltd., Xiamen (CN)**
(72) Inventors: **Huaqiang Zhou, Fujian (CN); Zhiwei Zhuo, Fujian (CN)**
(**) Term: **15 Years**
(21) Appl. No.: **35/514,982**
(22) Filed: **Aug. 5, 2022**
(80) **Hague Agreement Data**
Int. Filing Date: **Aug. 5, 2022**
Int. Reg. No.: **DM/222753**
Int. Reg. Date: **Aug. 5, 2022**
Int. Reg. Pub. Date: **Aug. 26, 2022**

(51) **LOC (14) Cl.** **23-01**
(52) **U.S. Cl.**
USPC **D23/213**
CPC **F16K 1/526 (2013.01)**
(58) **Field of Classification Search**
USPC D23/213–237, 241–249; 137/100–14, 2, 137/505.11, 625.27, 625.4, 315.18, 486, 137/487.5, 599.05, 601.14, 554, 630.12, 137/398, 545, 547, 549, 505.42, 116.3
CPC F16K 1/526; F16K 11/078; F16K 3/22; F16K 11/0445; E03C 1/023; E03C 1/084; E03C 1/04
See application file for complete search history.

(56) **References Cited**
U.S. PATENT DOCUMENTS
D191,691 S * 10/1961 Shames et al. D23/230
3,291,148 A * 12/1966 Sloan E03D 1/30
137/382
3,343,804 A * 9/1967 Pinke F16K 31/44
239/152
4,173,233 A * 11/1979 Snyder F16K 11/025
137/107
D287,044 S * 12/1986 Hughes D23/235

5,797,422 A * 8/1998 Tokarz F16K 31/602
137/315.15
D428,114 S * 7/2000 Le Bars D23/233
D600,780 S * 9/2009 Shishido D23/233
D635,644 S * 4/2011 Yamada D23/233
D639,392 S * 6/2011 Yamada D23/233
8,079,381 B2 * 12/2011 Fischer F16K 31/607
137/315.15
D667,930 S * 9/2012 Yamada D23/233
D668,743 S * 10/2012 Kennedy D23/213
D687,930 S * 8/2013 Sacchetti F16K 31/52
D23/235
D736,896 S * 8/2015 Nishimura D23/233
D754,293 S * 4/2016 Mangold D23/233
D758,540 S * 6/2016 Shishido D23/233
D762,819 S * 8/2016 Shishido D23/235
D820,956 S * 6/2018 Ito D23/233
D821,302 S * 6/2018 Fletcher D13/101
D826,381 S * 8/2018 Bian F16K 1/00
D23/233
D844,751 S * 4/2019 Yamada D23/235
D854,658 S * 7/2019 Yamada D23/235
D855,153 S * 7/2019 Yamada D23/235

(Continued)

Primary Examiner — Richard E Chilcot

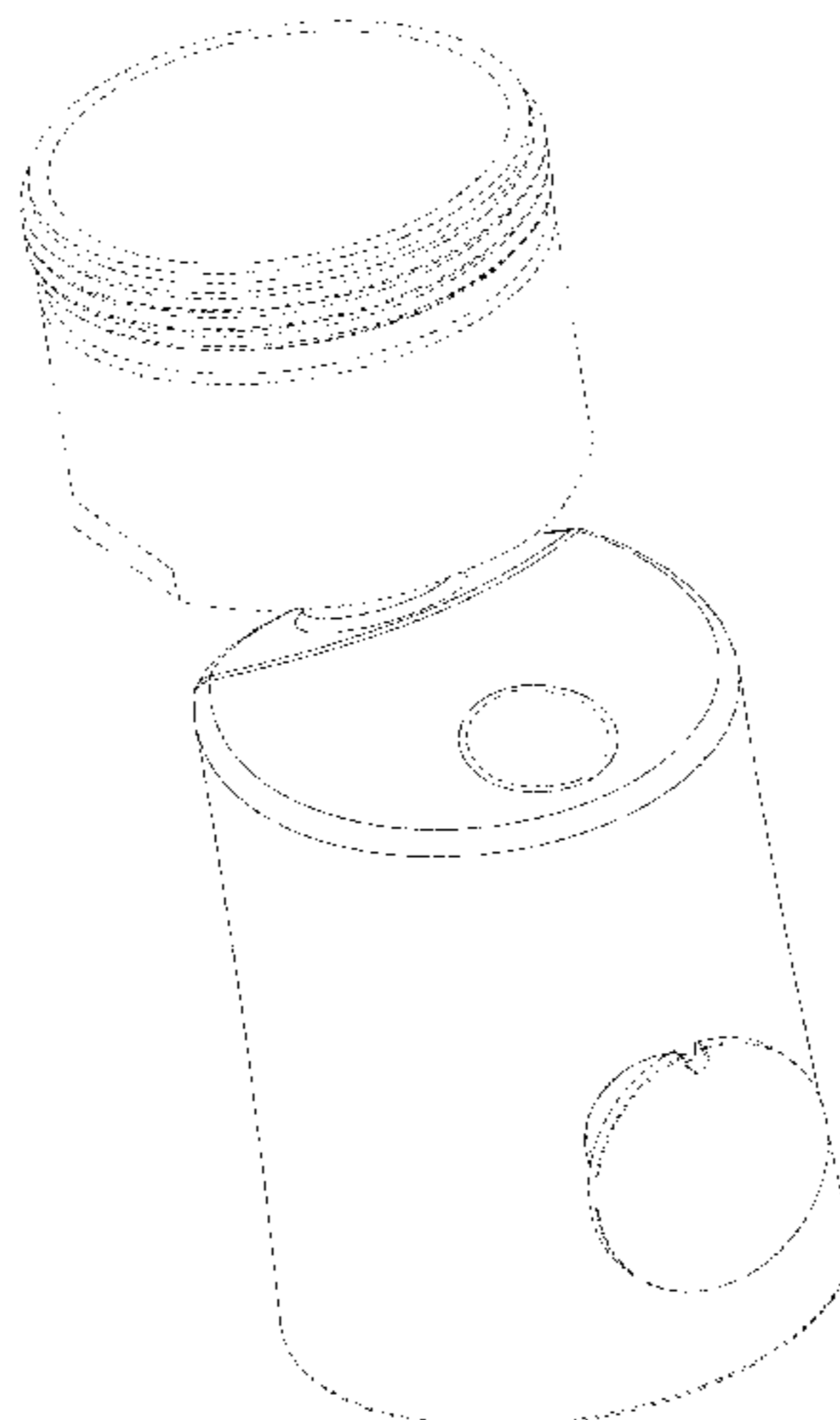
(57) **CLAIM**

The ornamental design for an aerator body, as shown and described.

DESCRIPTION

Aerator body
1.1 : Perspective
1.2 : Perspective
1.3 : Front
1.4 : Back
1.5 : Top
1.6 : Bottom
1.7 : Left
1.8 : Right
The broken lines in the drawings depict portions of the aerator body that form no part of the claimed design.

1 Claim, 8 Drawing Sheets



(56)

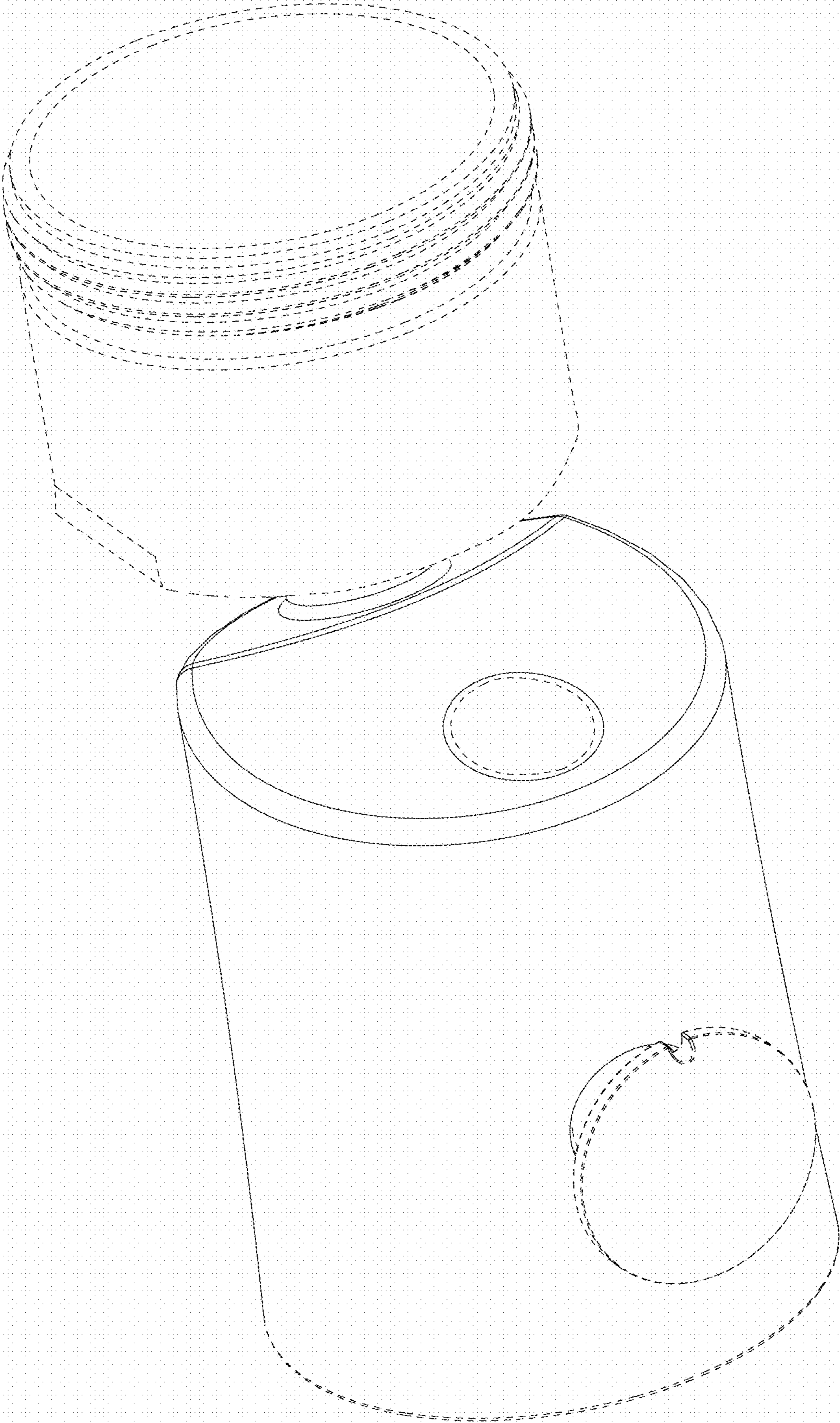
References Cited

U.S. PATENT DOCUMENTS

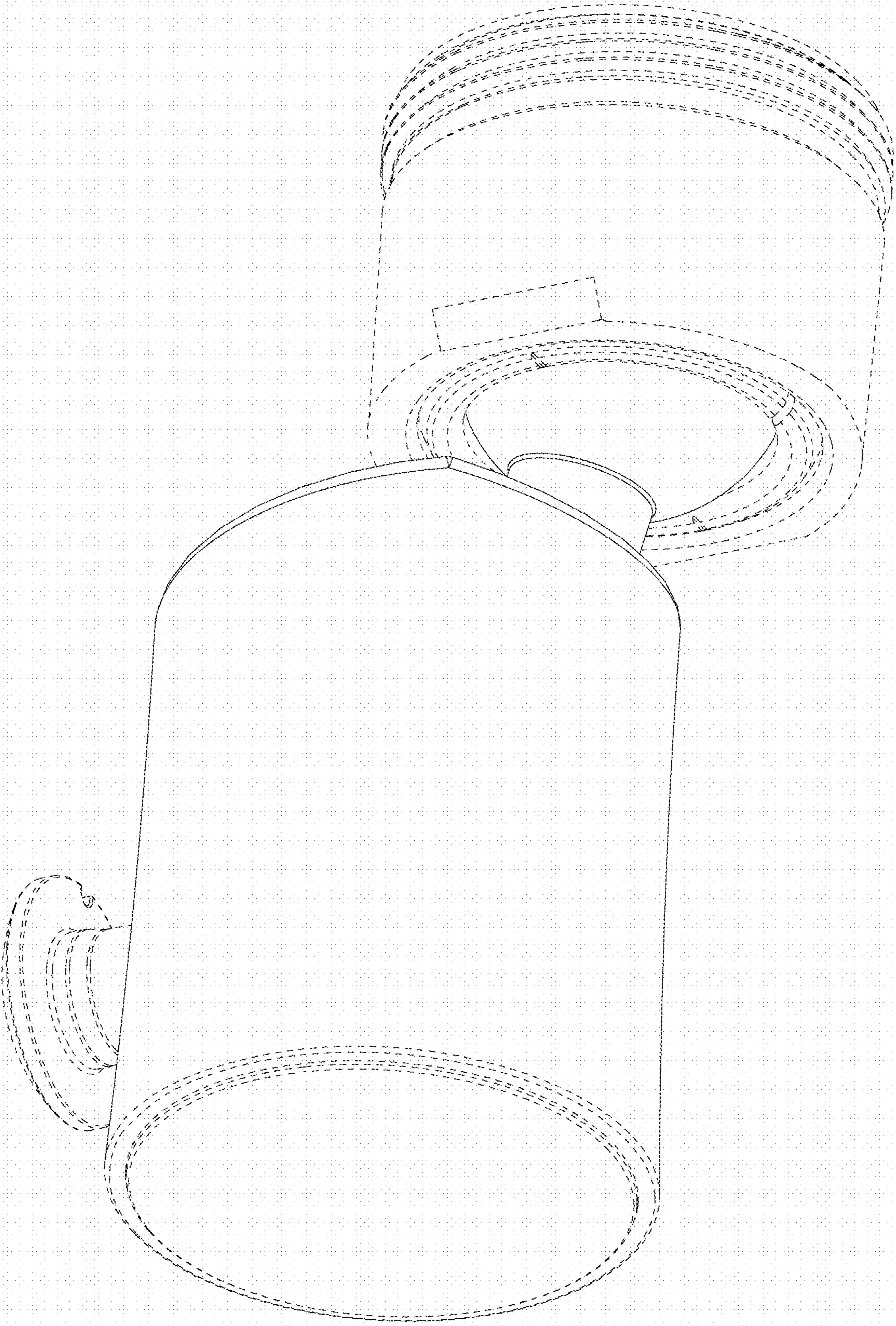
D858,704 S * 9/2019 Yamada D23/235
D904,567 S * 12/2020 Bian F16K 1/00
D23/233
D923,145 S * 6/2021 Schott D23/233
D944,920 S * 3/2022 Lai D23/213
11,327,509 B2 * 5/2022 Hart G05D 7/012
D954,176 S * 6/2022 Shang D23/213
D958,289 S * 7/2022 Lu D23/213
D968,564 S * 11/2022 Lai D23/213
D968,565 S * 11/2022 Lai D23/213
2014/0077114 A1 * 3/2014 Shishido F16K 1/42
251/333
2014/0300010 A1 * 10/2014 Zhou E03C 1/084
261/78.2
2021/0148099 A1 * 5/2021 Zhou F16K 31/58
2021/0148472 A1 * 5/2021 Zhou F16K 1/526
2021/0205825 A1 * 7/2021 Zhou F16L 27/023

* cited by examiner

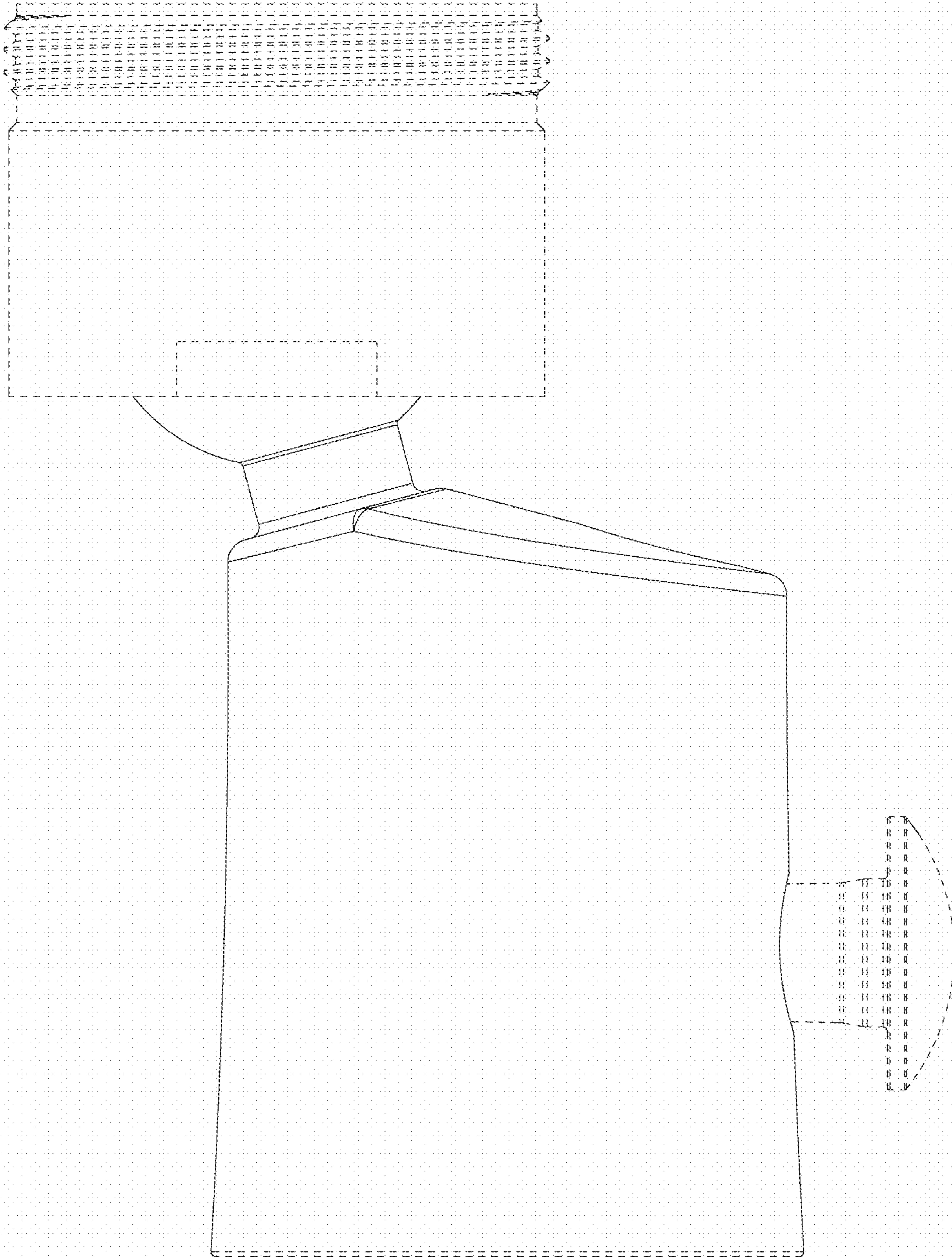
1.1



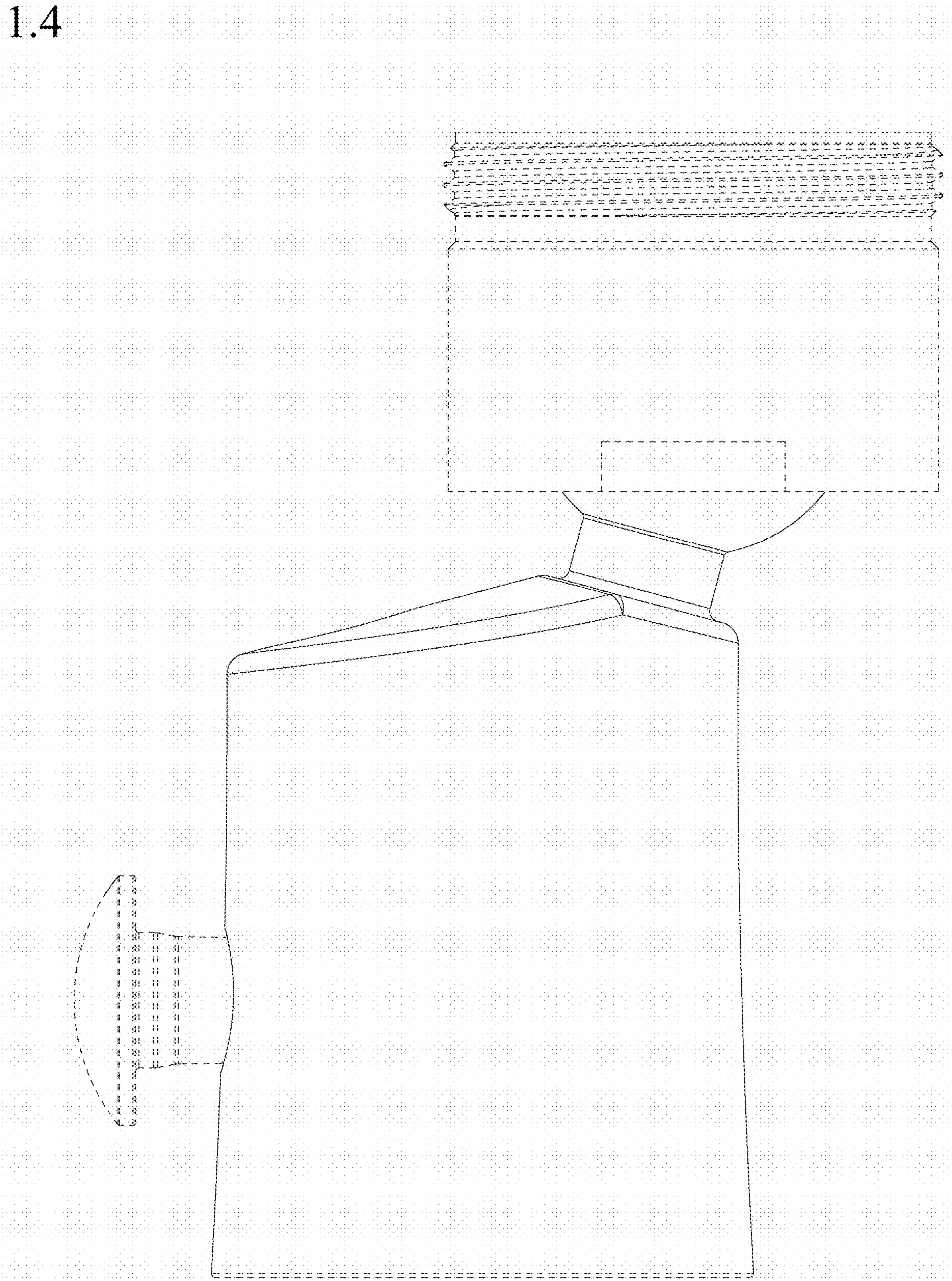
1.2



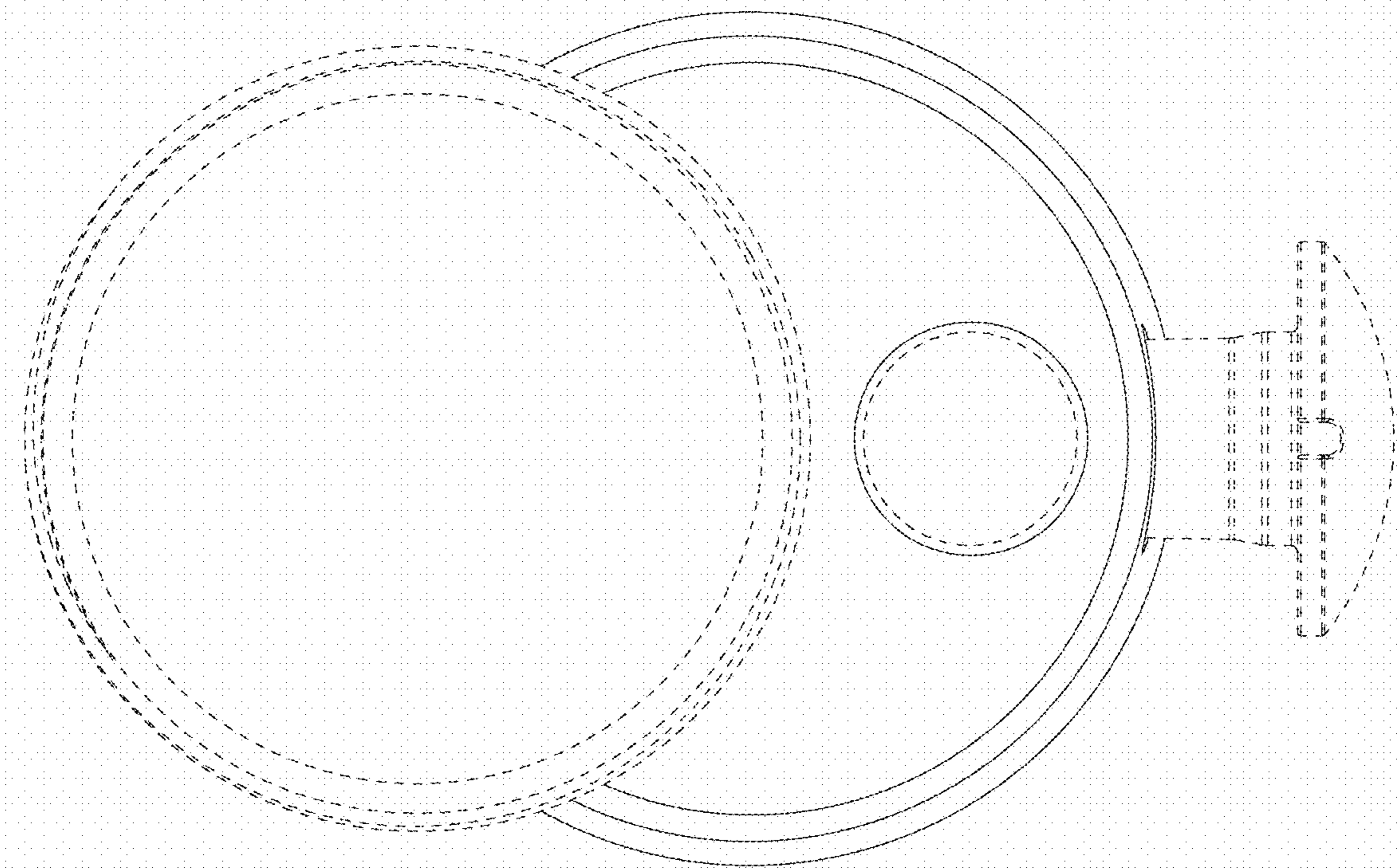
1.3



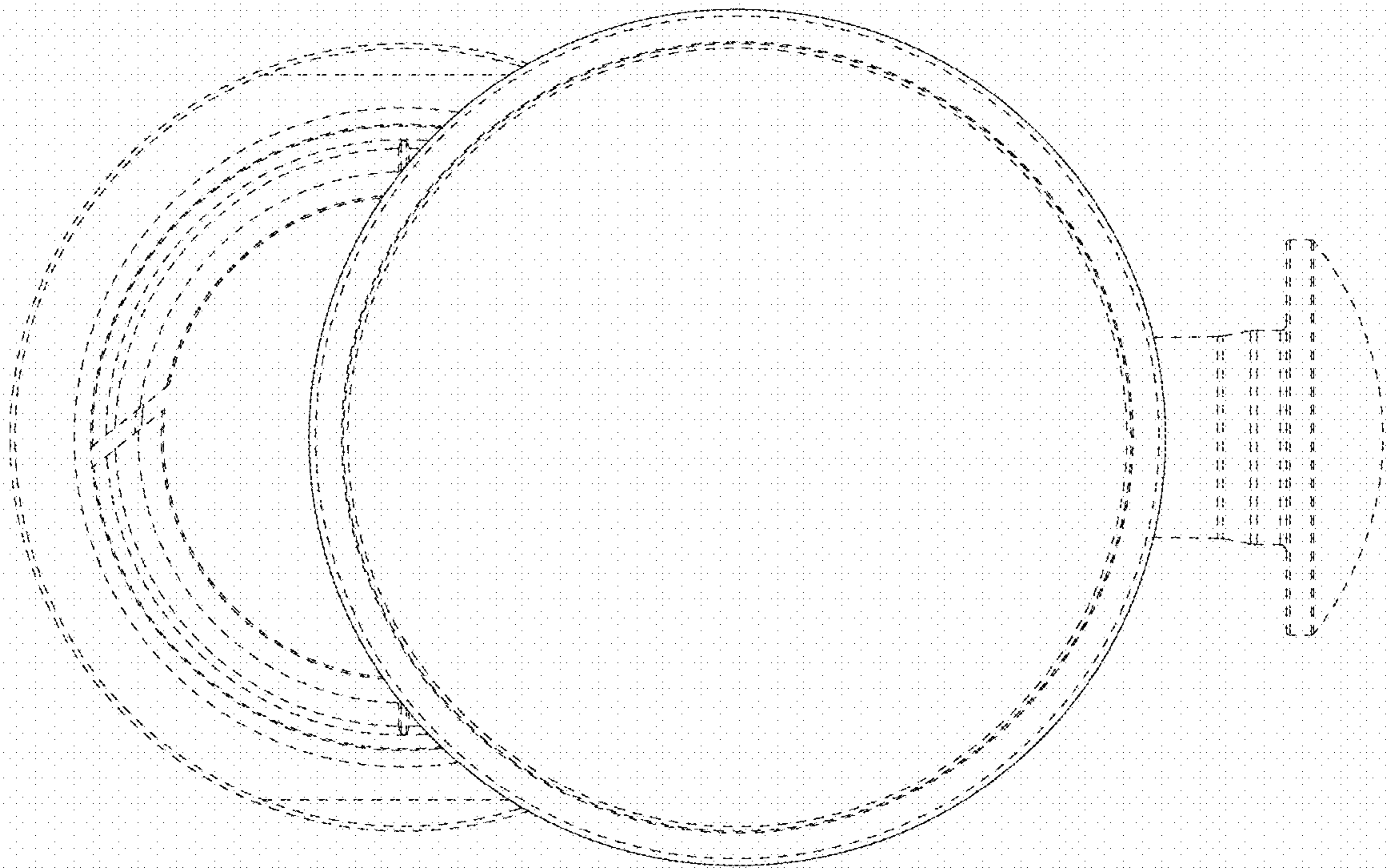
1.4



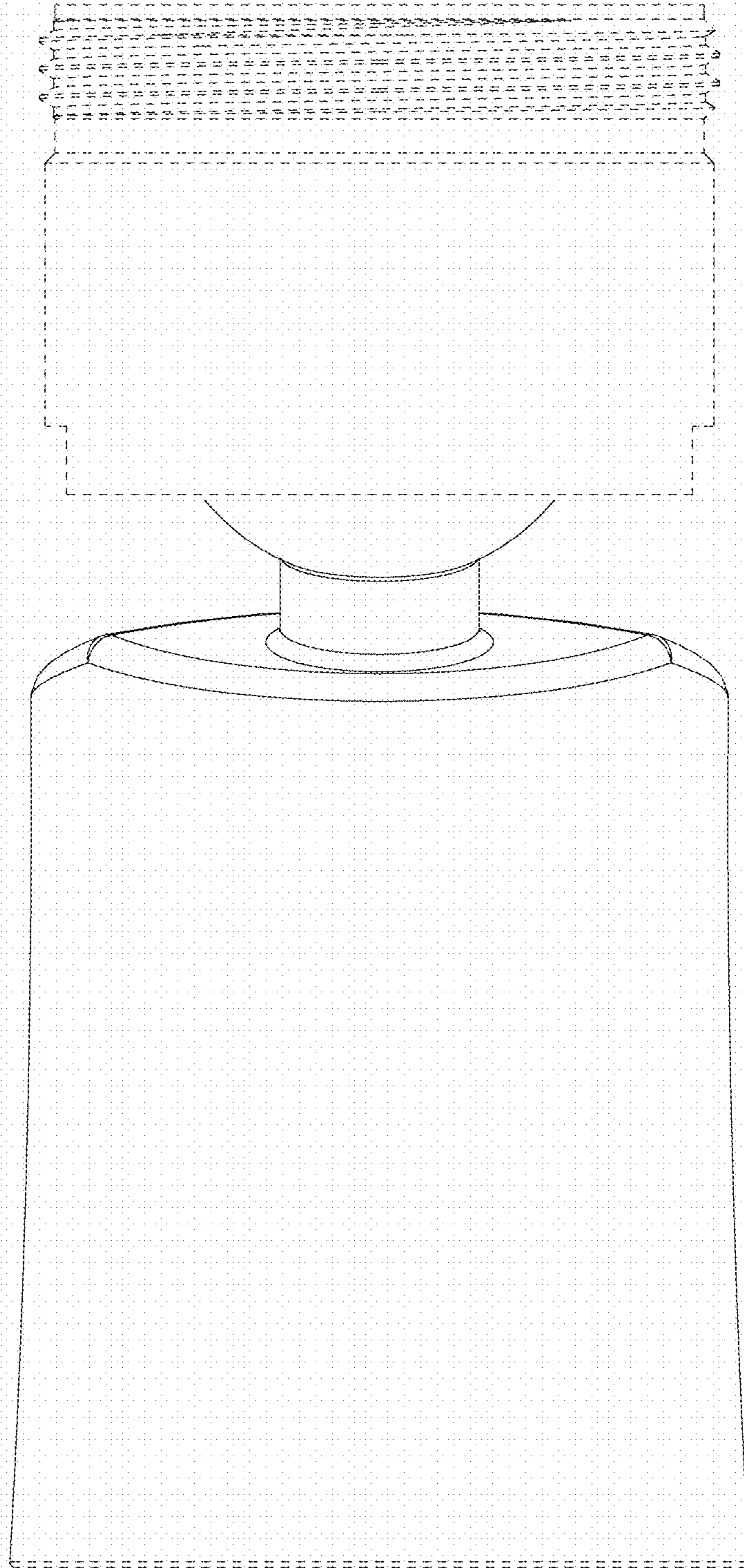
1.5



1.6



1.7



1.8

