



US00D989229S

(12) **United States Design Patent**
Wu

(10) **Patent No.:** **US D989,229 S**
(45) **Date of Patent:** **** Jun. 13, 2023**

(54) **SPRINKLER**

(71) Applicant: **Shantou Chuangyuan Qianzhi Technology Co., Ltd, Shantou (CN)**

(72) Inventor: **Jianquan Wu, Shantou (CN)**

(73) Assignee: **Shantou Chuangyuan Qianzhi Technology Co., Ltd, Shantou (CN)**

(**) Term: **15 Years**

(21) Appl. No.: **29/873,953**

(22) Filed: **Apr. 12, 2023**

(30) **Foreign Application Priority Data**

Dec. 8, 2022 (CN) 202230822003.9

(51) **LOC (14) Cl.** **23-01**

(52) **U.S. Cl.**
USPC **D23/213**

(58) **Field of Classification Search**
USPC D23/207, 213, 214, 215, 223, 224, 225,
D23/226, 229, 230; D21/447, 436, 441,
D21/443, 444, 453, 473, 474, 451, 452;
D12/326

CPC A61H 9/0021; A61H 33/00; B05B 1/00;
B05B 1/14; B05B 1/185; B05B 1/08;
B05B 1/02; B05B 1/26; B05B 12/002;
B05B 1/18; B05B 9/01; B64C 23/00

See application file for complete search history.

(56) **References Cited**

U.S. PATENT DOCUMENTS

6,059,202 A * 5/2000 Zink B05B 3/026
239/259
D431,846 S * 10/2000 Le Porcher D21/452
D617,870 S * 6/2010 Wright B05B 3/002
D23/213
D624,971 S * 10/2010 Cohen D6/337
D627,235 S * 11/2010 Lo D9/674

D638,912 S * 5/2011 Wright D23/213
D757,896 S * 5/2016 Aquilina D23/214
D768,816 S * 10/2016 Pogliari D23/214
D769,409 S * 10/2016 Race D23/214
D800,249 S * 10/2017 Irwin D23/213
D811,521 S * 2/2018 Bamford D23/213
D827,041 S * 8/2018 Brand D21/452
D888,162 S * 6/2020 Fang D21/452
D900,961 S * 11/2020 Wright D23/213
D912,201 S * 3/2021 Arenson D23/213
D914,133 S * 3/2021 Tayh B05C 17/0052
D23/213
D920,471 S * 5/2021 Ross D23/213
D948,627 S * 4/2022 Lin D21/452
D960,305 S 8/2022 Dougan et al.

(Continued)

OTHER PUBLICATIONS

Ofoat Water Sprinkler Toys for Kids, Rocket Shaped Kids Sprinkler Toys, Mar. 3, 2023, amazon.ca, Apr. 25, 2023, URL: <https://www.amazon.ca/Sprinkler-Rocket-Shaped-5-2-5-9Ft-Backyard/dp/B0BXDHFL92/> (Year: 2023).*

Primary Examiner — Keith J Wilson

(74) *Attorney, Agent, or Firm* — Nitin Kaushik

(57) **CLAIM**

The ornamental design for a sprinkler, as shown and described.

DESCRIPTION

FIG. 1 is a top perspective view of a sprinkler, showing my new design;

FIG. 2 is a bottom perspective view thereof;

FIG. 3 is a front view thereof;

FIG. 4 is a rear view thereof;

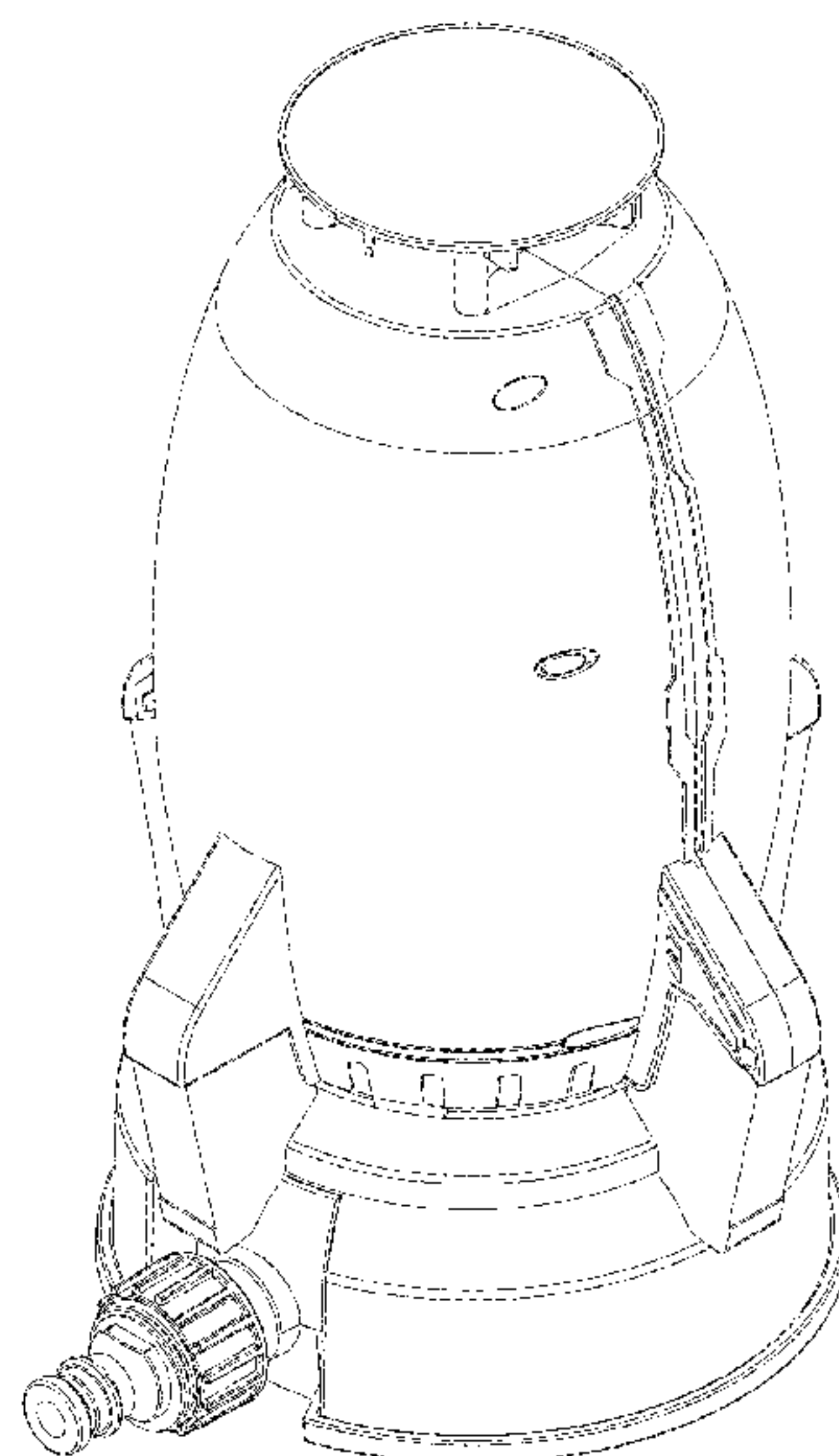
FIG. 5 is a left side view thereof;

FIG. 6 is a right side view thereof;

FIG. 7 is a top view thereof; and,

FIG. 8 is a bottom view thereof.

1 Claim, 8 Drawing Sheets



(56)

References Cited

U.S. PATENT DOCUMENTS

D970,633 S * 11/2022 Zhang D21/452
D982,093 S * 3/2023 Zhang D21/452
2022/0331707 A1* 10/2022 Frawley A63H 27/005

* cited by examiner

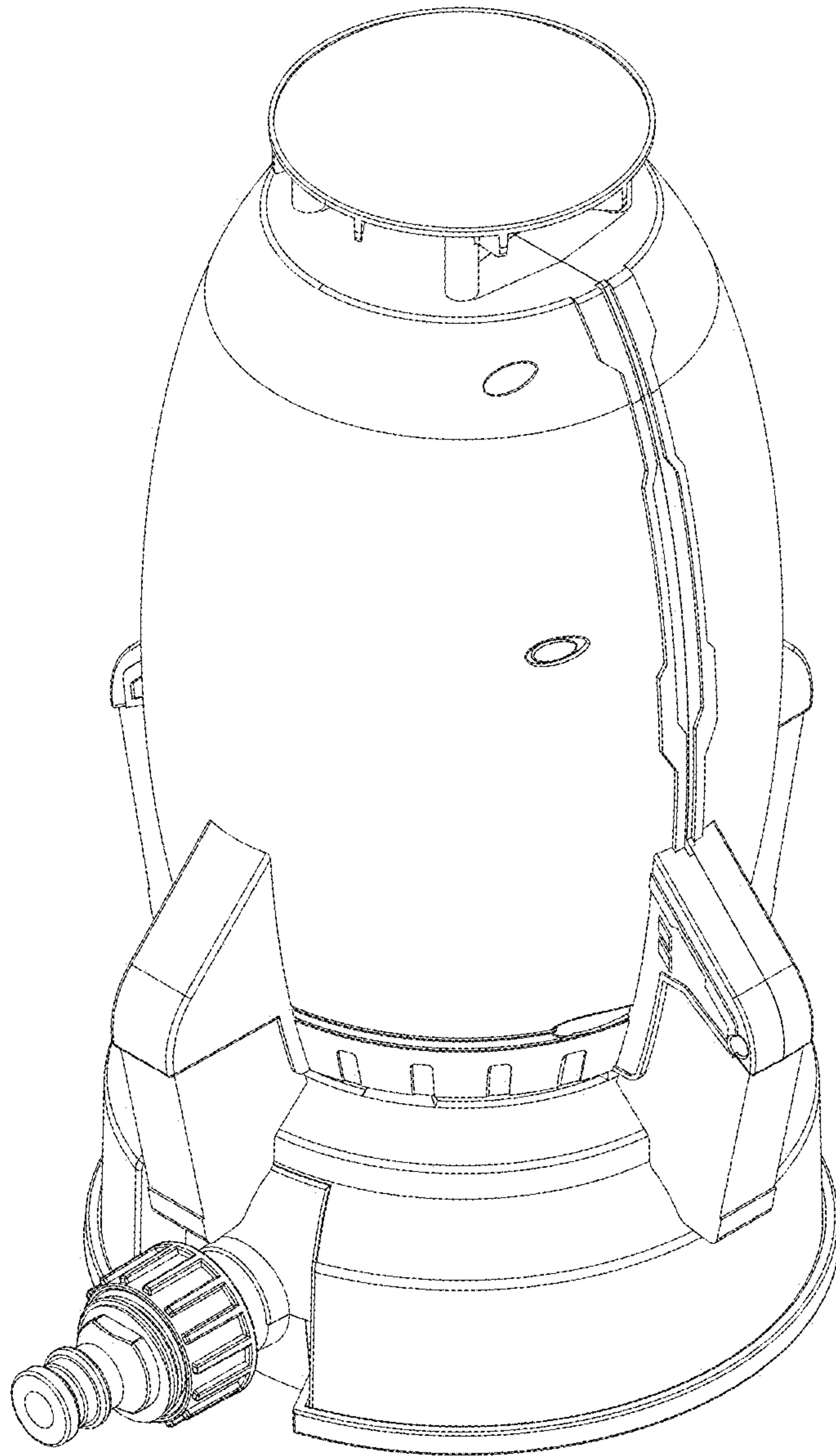


FIG. 1

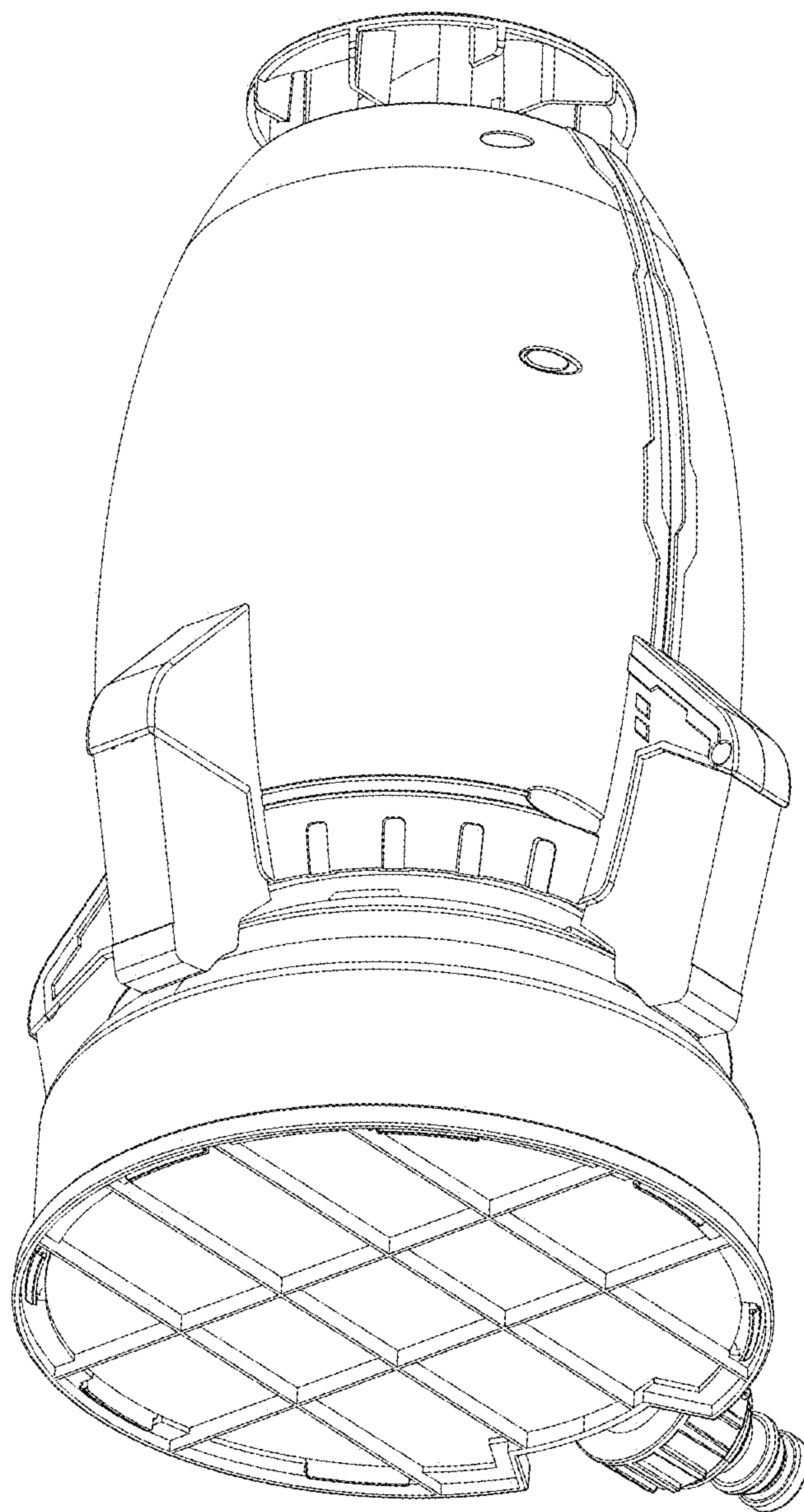


FIG. 2

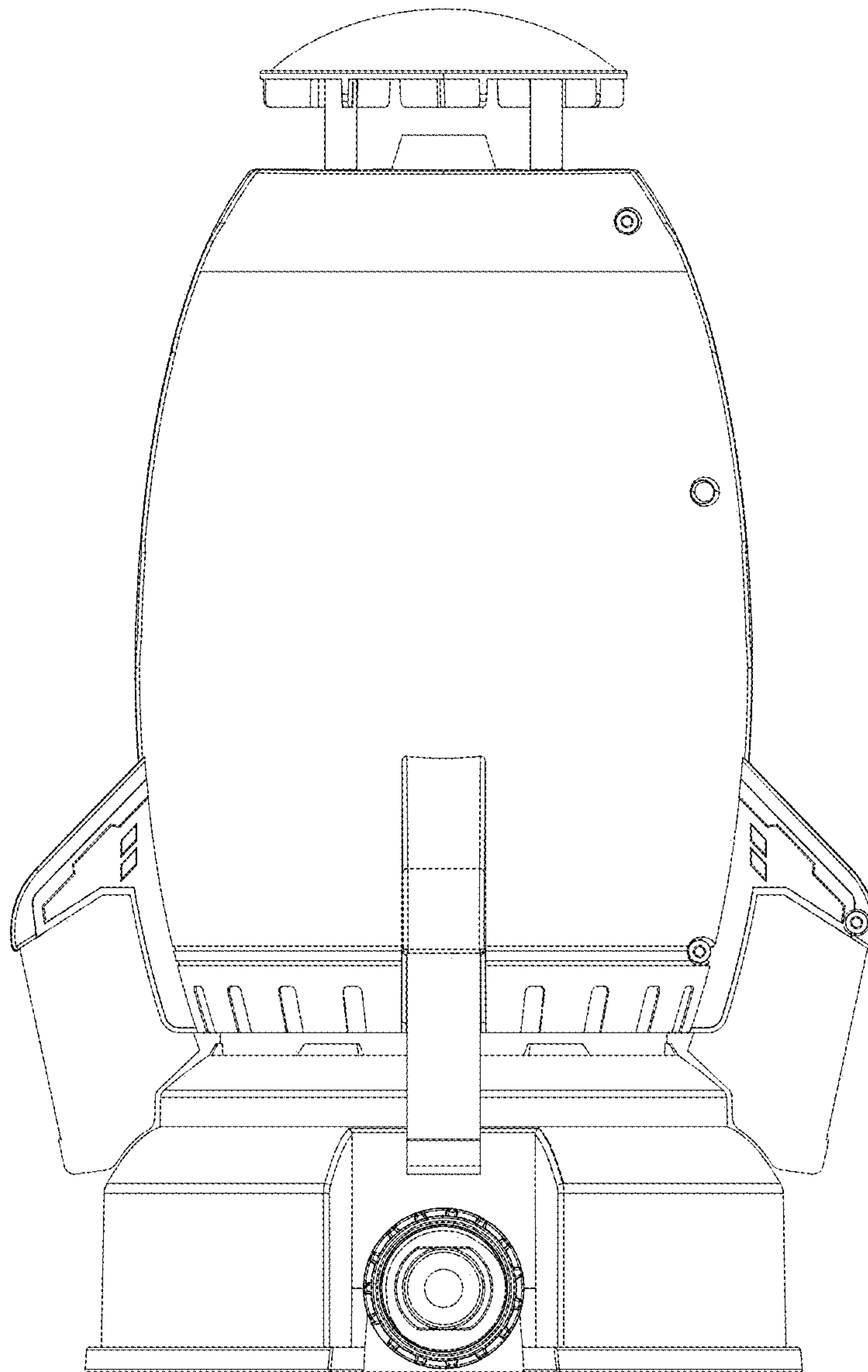


FIG. 3

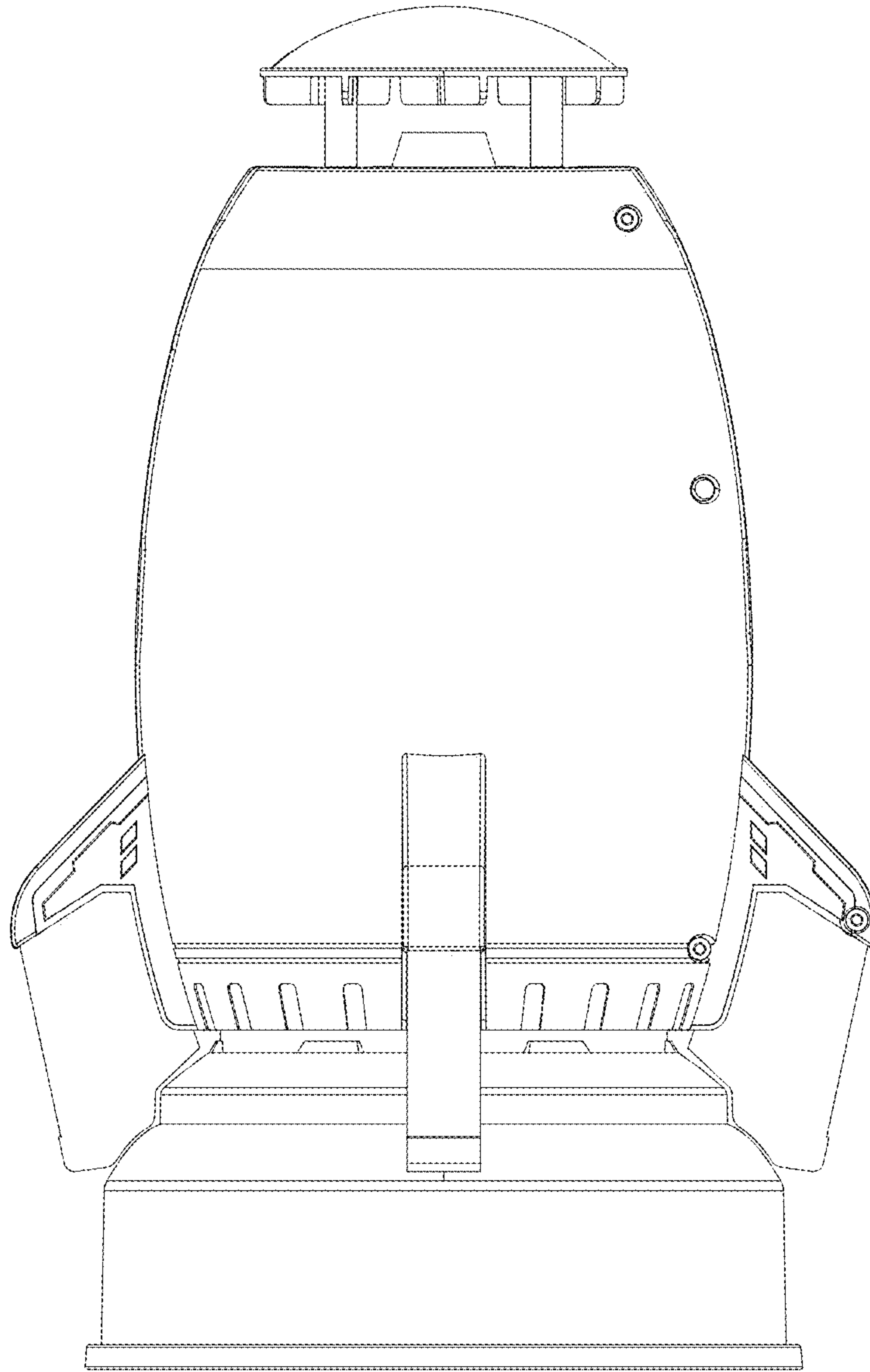


FIG. 4

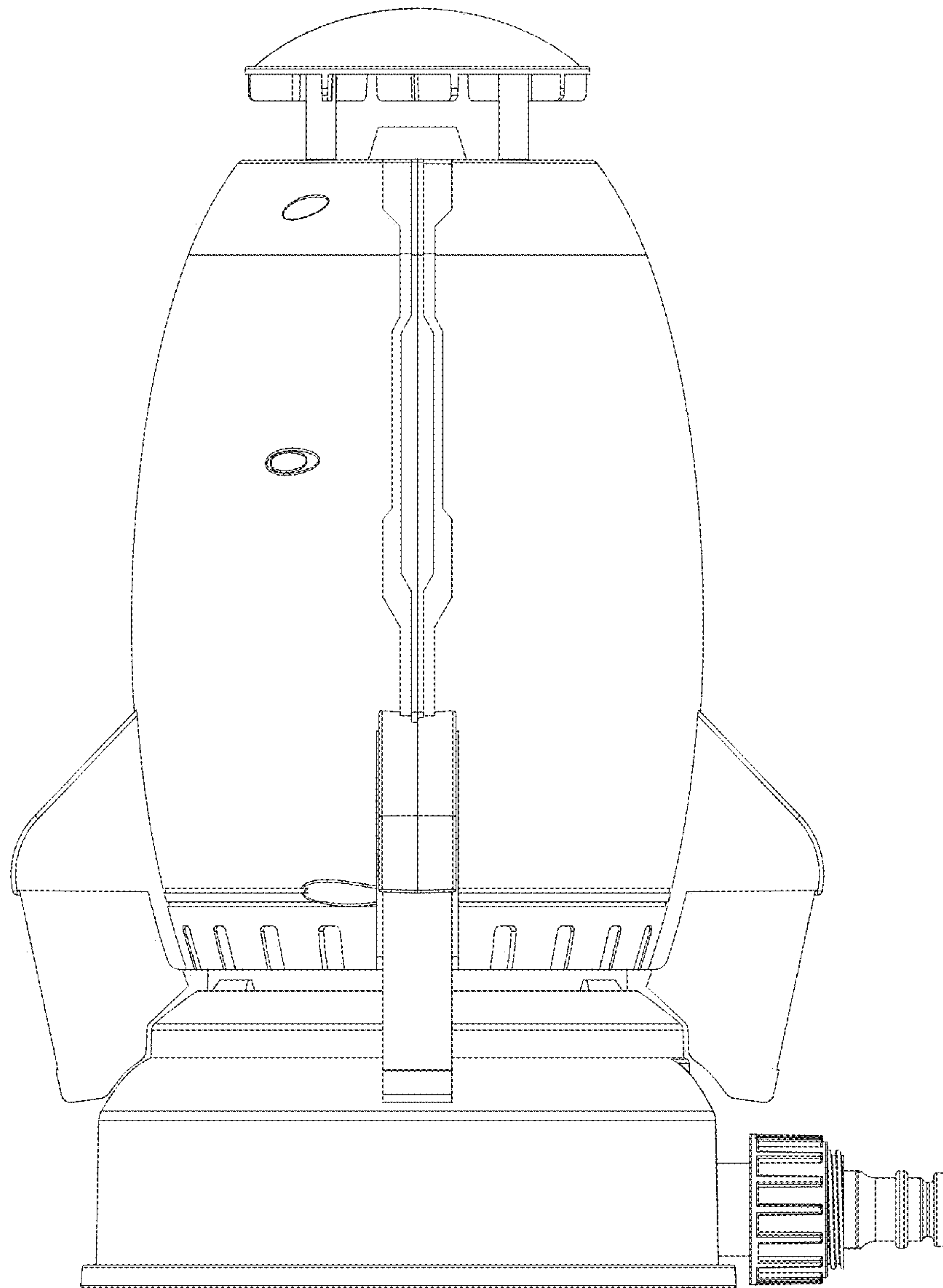


FIG. 5

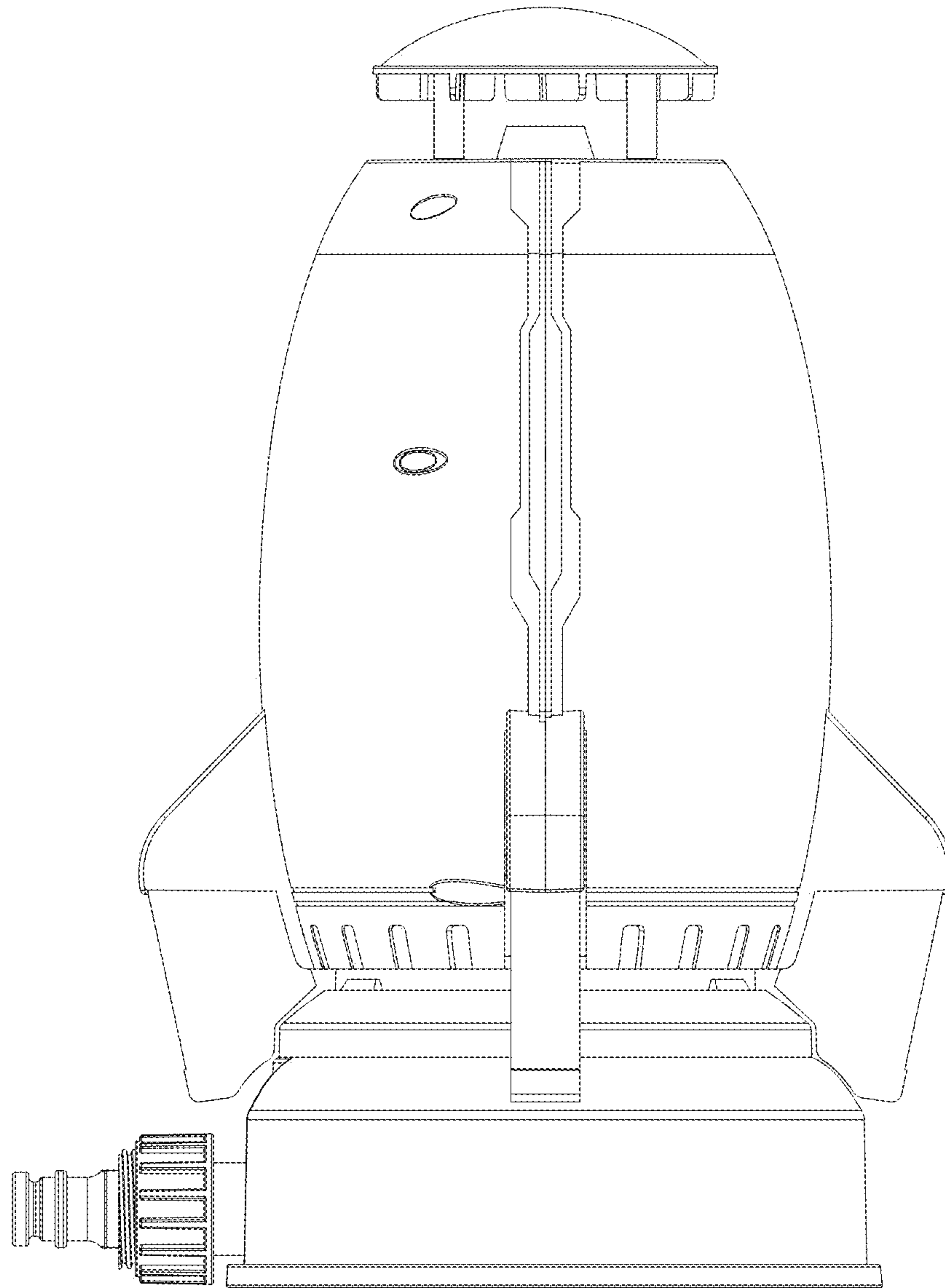


FIG. 6

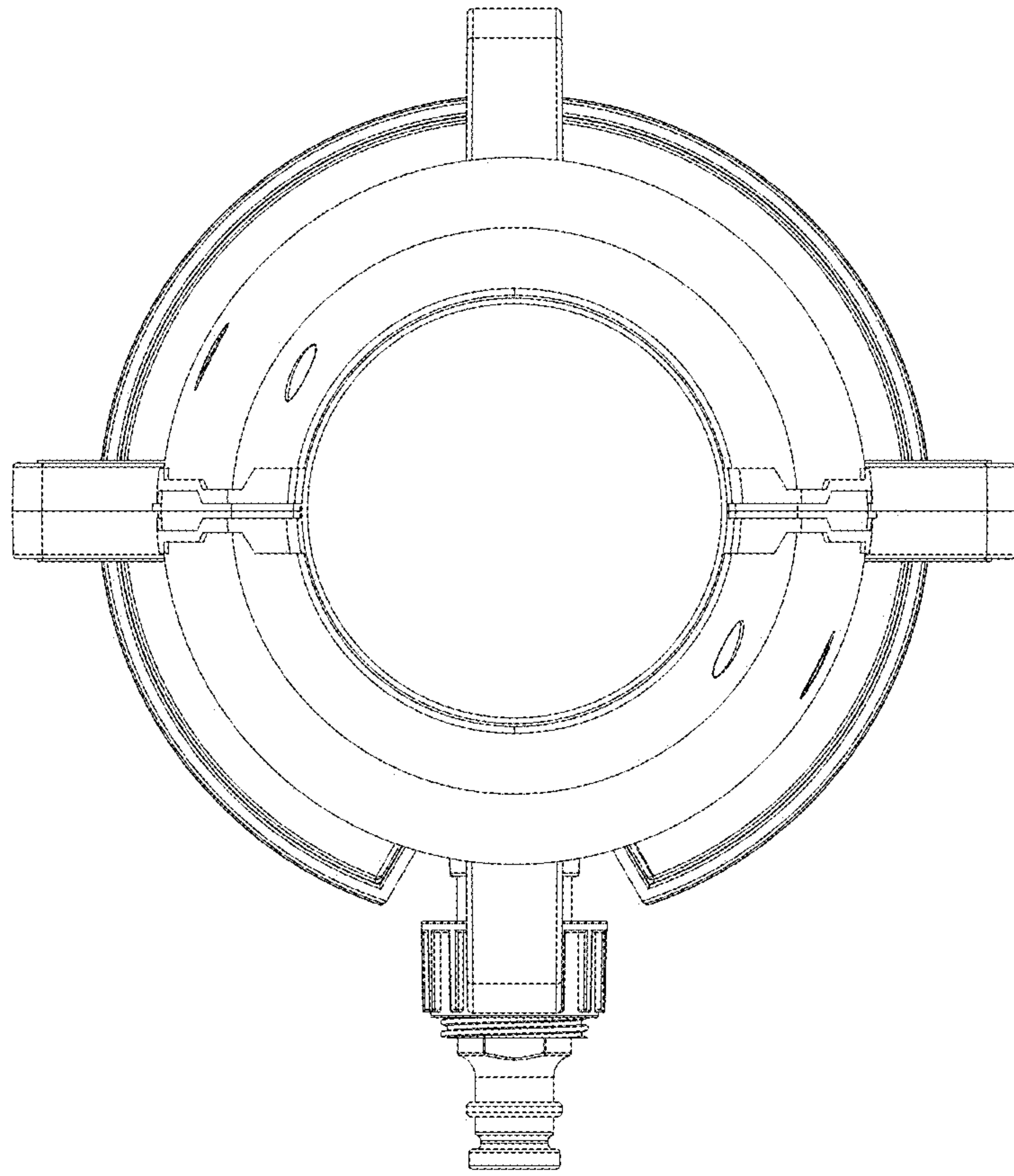


FIG. 7

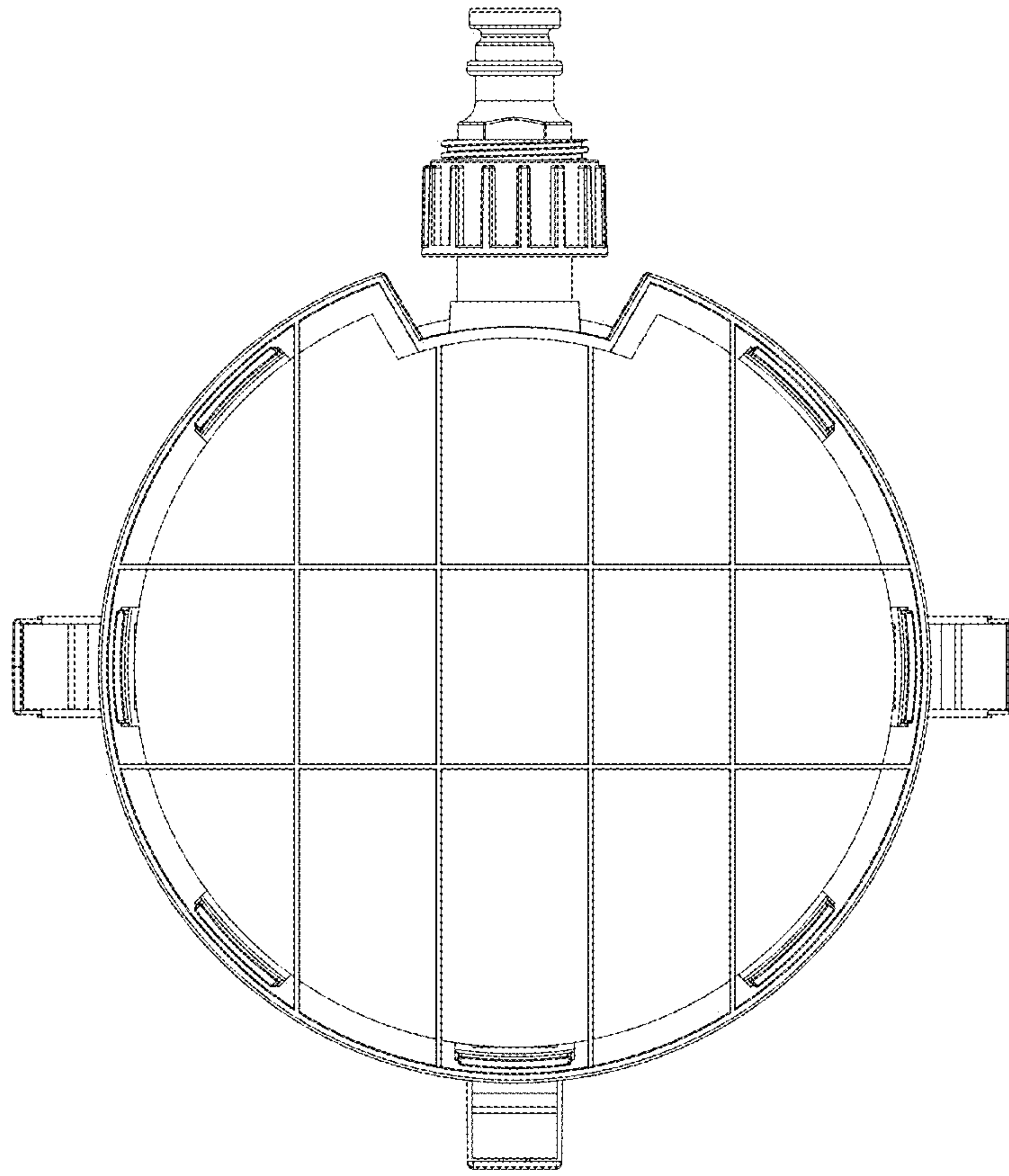


FIG. 8