



US00D989228S

(12) **United States Design Patent**
De Swarte et al.

(10) **Patent No.: US D989,228 S**
(45) **Date of Patent: ** Jun. 13, 2023**

(54) **SHOWER**

B0B3TBPMMC/ref=sbl_dpx_ca-home-improvement-bathroom-handheld-showerheads_B09261QVD7_0?th=1 (Year: 2022).*

(71) Applicant: **Kohler Co.**, Kohler, WI (US)

(Continued)

(72) Inventors: **Gregory De Swarte**, Sheboygan, WI (US); **Anna-Pia K. Slothower**, Mill Valley, CA (US); **Drew Johnson**, Sheboygan, WI (US)

Primary Examiner — Keith J Wilson
(74) *Attorney, Agent, or Firm* — Foley & Lardner LLP

(73) Assignee: **KOHLER CO.**, Kohler, WI (US)

(57) **CLAIM**

We claim the ornamental design for a shower, as shown and described.

(**) Term: **15 Years**

DESCRIPTION

(21) Appl. No.: **29/799,686**

FIG. 1 is a perspective view of the claimed design; FIG. 2 is a front view of the claimed design shown in FIG. 1; FIG. 3 is a rear view of the claimed design shown in FIG. 1; FIG. 4 is a side view of the claimed design shown in FIG. 1; FIG. 5 is another side view of the claimed design shown in FIG. 1; FIG. 6 is a top view of the claimed design shown in FIG. 1; and, FIG. 7 is a bottom view of the claimed design shown in FIG. 1.

(22) Filed: **Jul. 15, 2021**

(51) **LOC (14) Cl.** **23-01**

(52) **U.S. Cl.**

USPC **D23/223**

(58) **Field of Classification Search**

USPC D23/207, 213, 214, 215, 223, 224, 226, D23/229, 230

CPC A61H 9/0021; A61H 33/00; B05B 1/00; B05B 1/14; B05B 1/185; B05B 1/08; B05B 1/02; B05B 1/26; B05B 12/002; B05B 1/18; B05B 9/01

See application file for complete search history.

The ornamental design that is claimed is shown in the drawings as solid lines and surfaces having surface shading. The broken lines in the drawings are for illustrative purposes only and form no part of the claimed design. For example, broken lines formed by equal length dashes show unclaimed portions of the design. Broken lines formed of unequal length dashes (i.e., dash-dot) show boundaries between either claimed and unclaimed portions of the design or between unclaimed and unclaimed portions of the design. Break lines having a jagged element are not part of the claimed design and show unspecified lengths of the portion are possible. The appearance of any portion of the article between the break lines forms no part of the claimed design. Cross-hatching provided on cut surfaces is for illustrative purposes only and forms no part of the claimed design.

(56) **References Cited**

U.S. PATENT DOCUMENTS

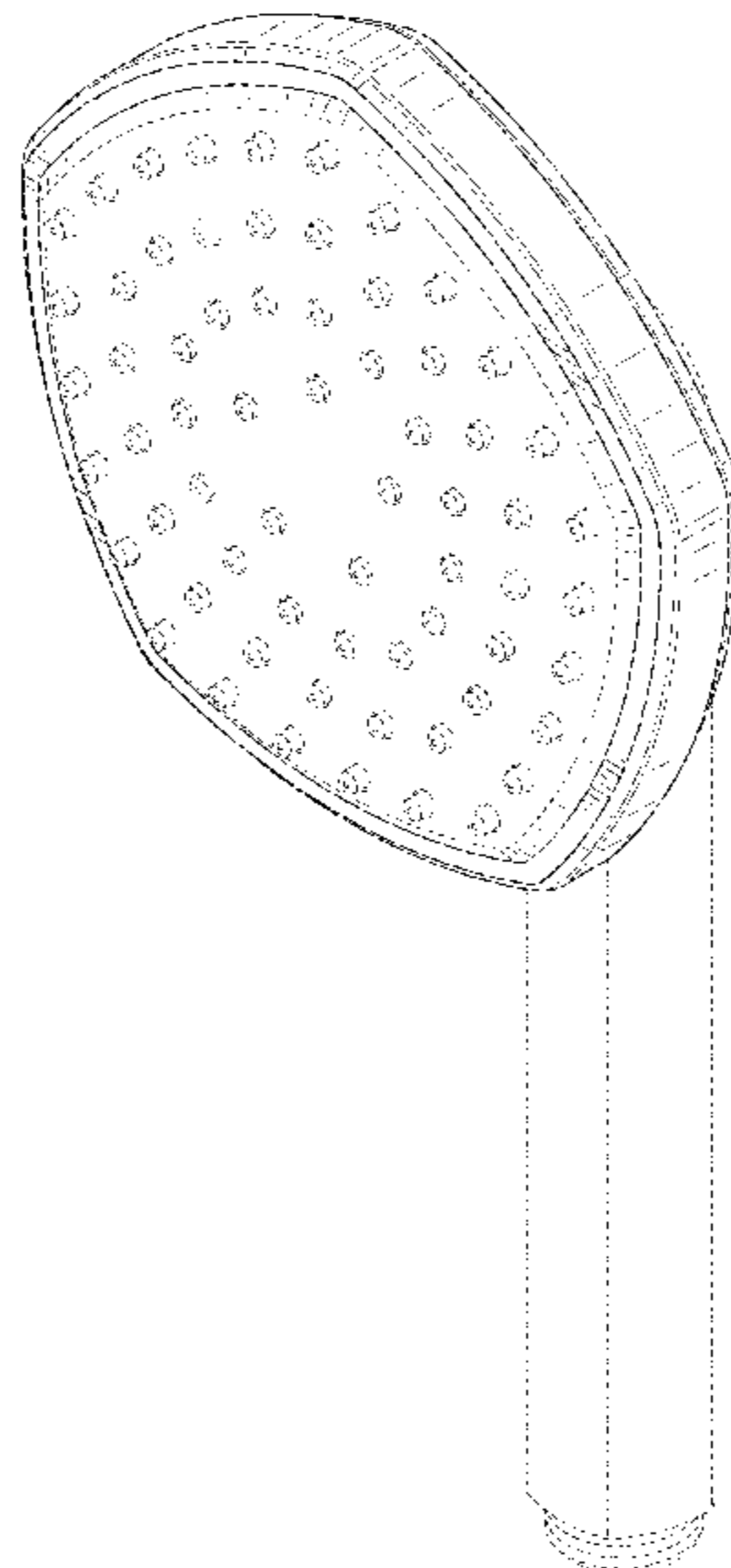
D313,267 S * 12/1990 Lenci D23/213
D357,972 S * 5/1995 Huen D23/223
D564,621 S * 3/2008 Lammel D23/223
D580,010 S * 11/2008 Lee D23/213

(Continued)

OTHER PUBLICATIONS

Premium Pressurised Shower Pressurised Power Shower, Jun. 11, 2022, amazon.ca, Feb. 7, 2023, URL: <https://www.amazon.ca/dp/>

1 Claim, 7 Drawing Sheets



(56)

References Cited

U.S. PATENT DOCUMENTS

7,837,133 B2 * 11/2010 Zhou B05B 1/185
 239/392
 D668,320 S * 10/2012 Weihreter D23/213
 D674,046 S * 1/2013 Berger D23/223
 D713,002 S 9/2014 McKeone et al.
 D723,137 S * 2/2015 Nikles D23/223
 9,326,484 B2 * 5/2016 Allen A01K 13/001
 D760,348 S * 6/2016 McCutcheon D23/213
 D761,935 S * 7/2016 McCutcheon D23/213
 D810,233 S * 2/2018 Winter D23/213
 D832,398 S * 10/2018 Lin D23/223
 D841,126 S * 2/2019 Lai D23/223
 D855,759 S * 8/2019 Winter D23/223
 D861,830 S * 10/2019 Quinn D23/223

OTHER PUBLICATIONS

Ideal Standard B2232AA Evo Diamond Shower Head, Sep. 17, 2020, amazon.com, Feb. 7, 2023, URL: <https://www.amazon.com/Ideal-Standard-B2232AA-Idealrain-shower/dp/B07GSBY87K> (Year: 2020).*

Kohler 27052-G-BL 27050-G-BL Occasion Showerhead, Sep. 20, 2022, amazon.com, Feb. 7, 2023, URL: https://www.amazon.com/dp/B0BFZQCKBT/ref=sbl_dpx_home-improvement-bathroom-handheld-showerheads_B07GSBY87K_0 (Year: 2022).*

Amazon.com, "Grohe Rainshower Grandera 210 1-Spray Showerhead", Internet URL: https://www.amazon.com/dp/B00CQD9DFW/ref=sbl_dpx_home-improvement-bathroom-fixed-showerheads_B0BHV1HXPG_0?th=1, first available on Amazon May 11, 2013.

* cited by examiner

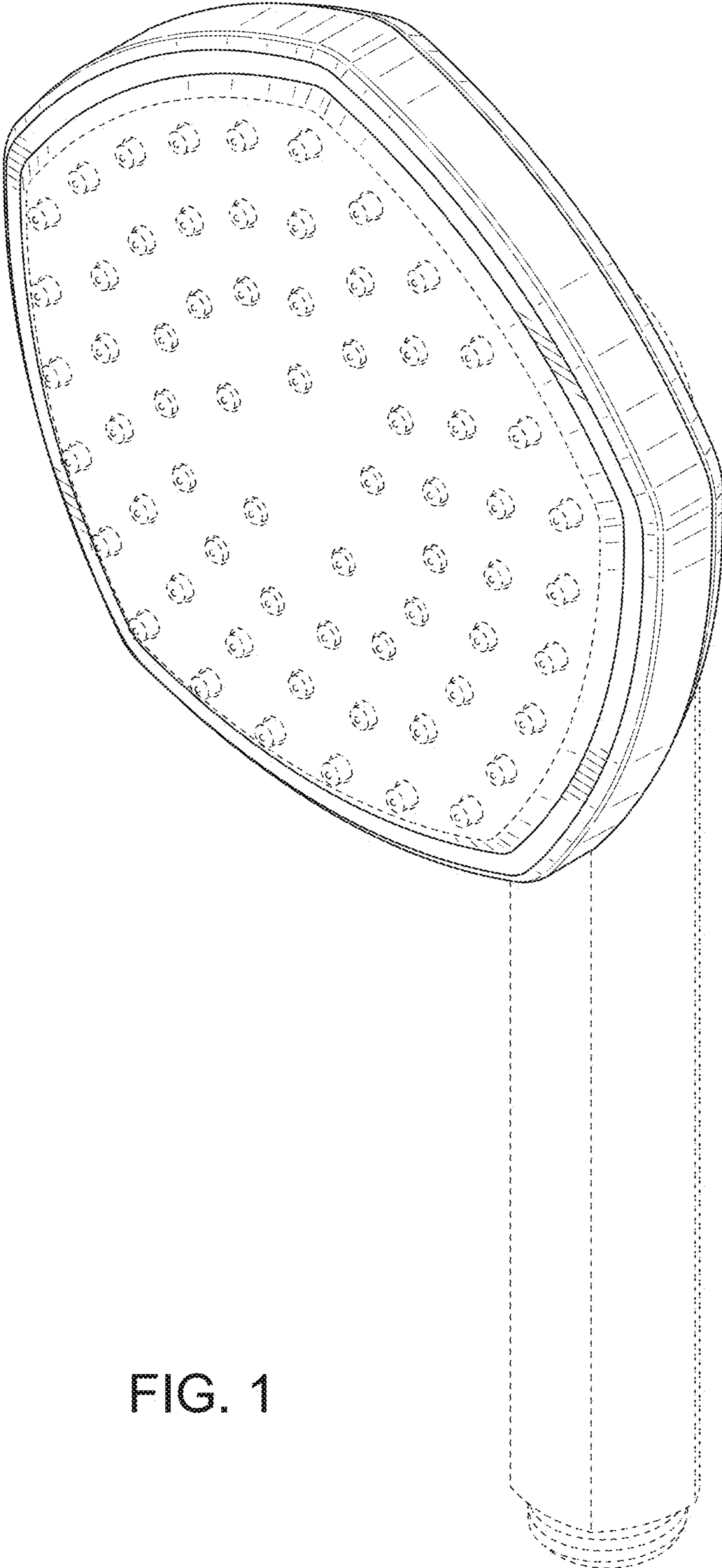


FIG. 1

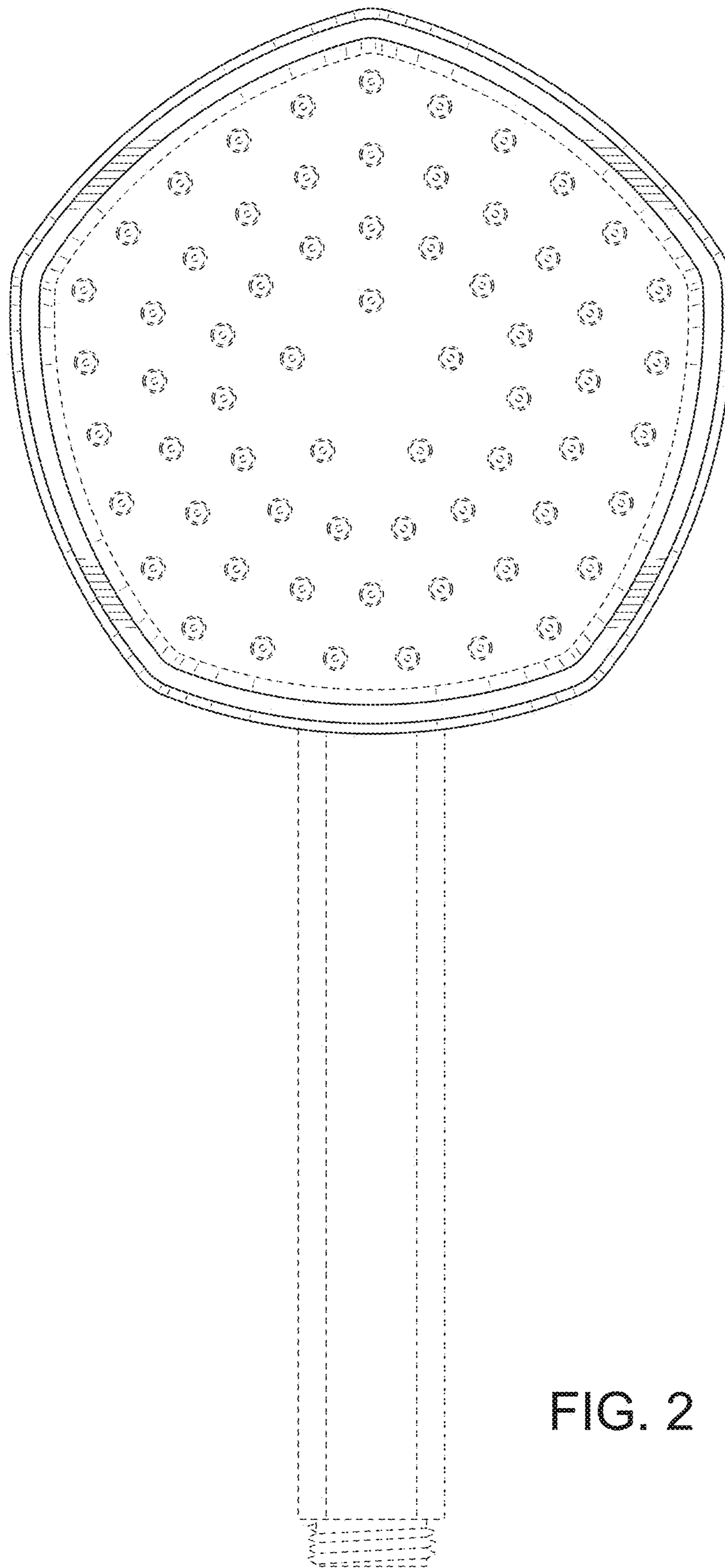


FIG. 2

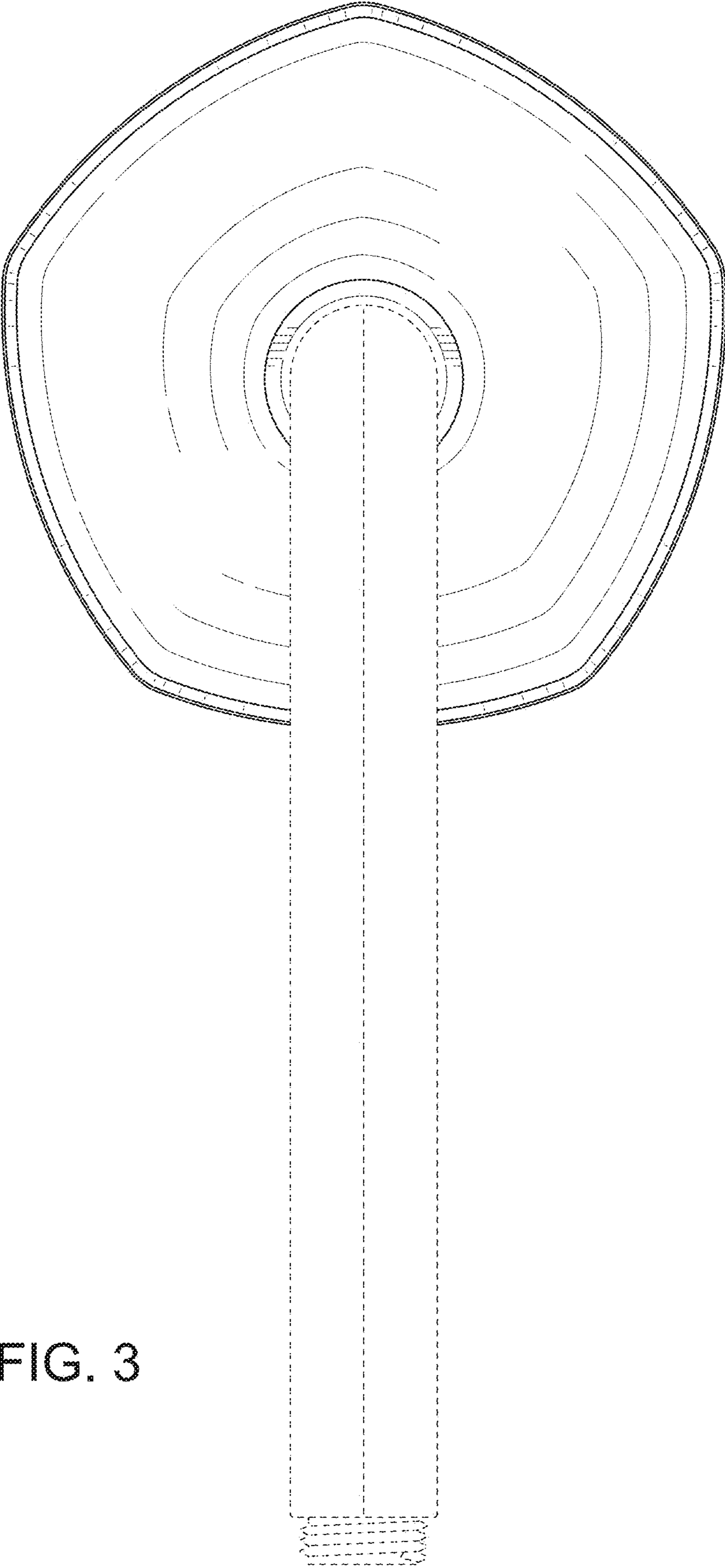


FIG. 3

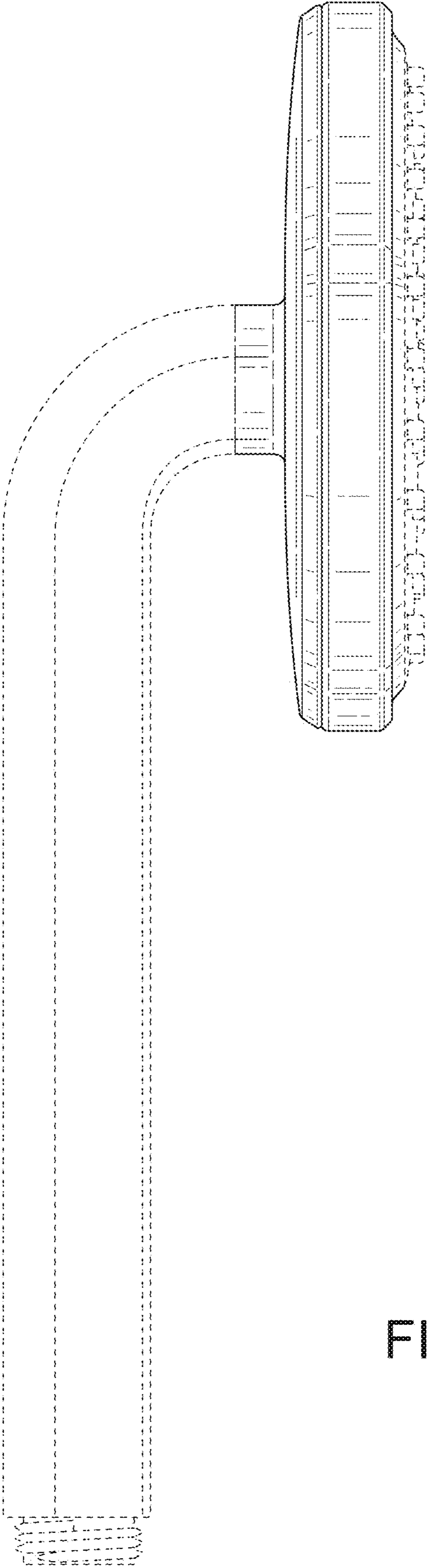


FIG. 4

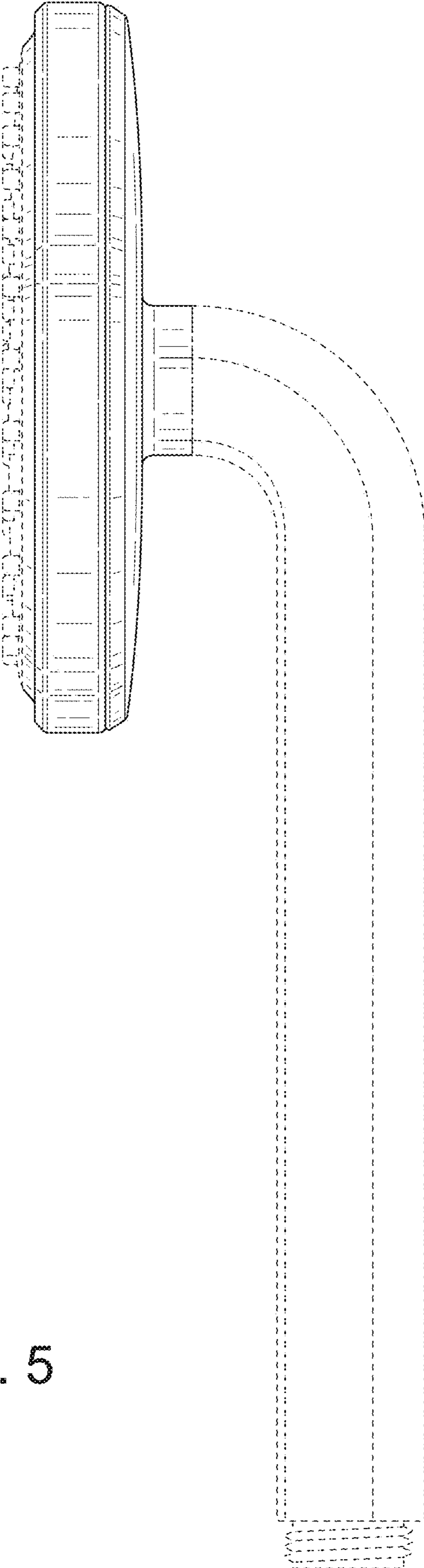


FIG. 5

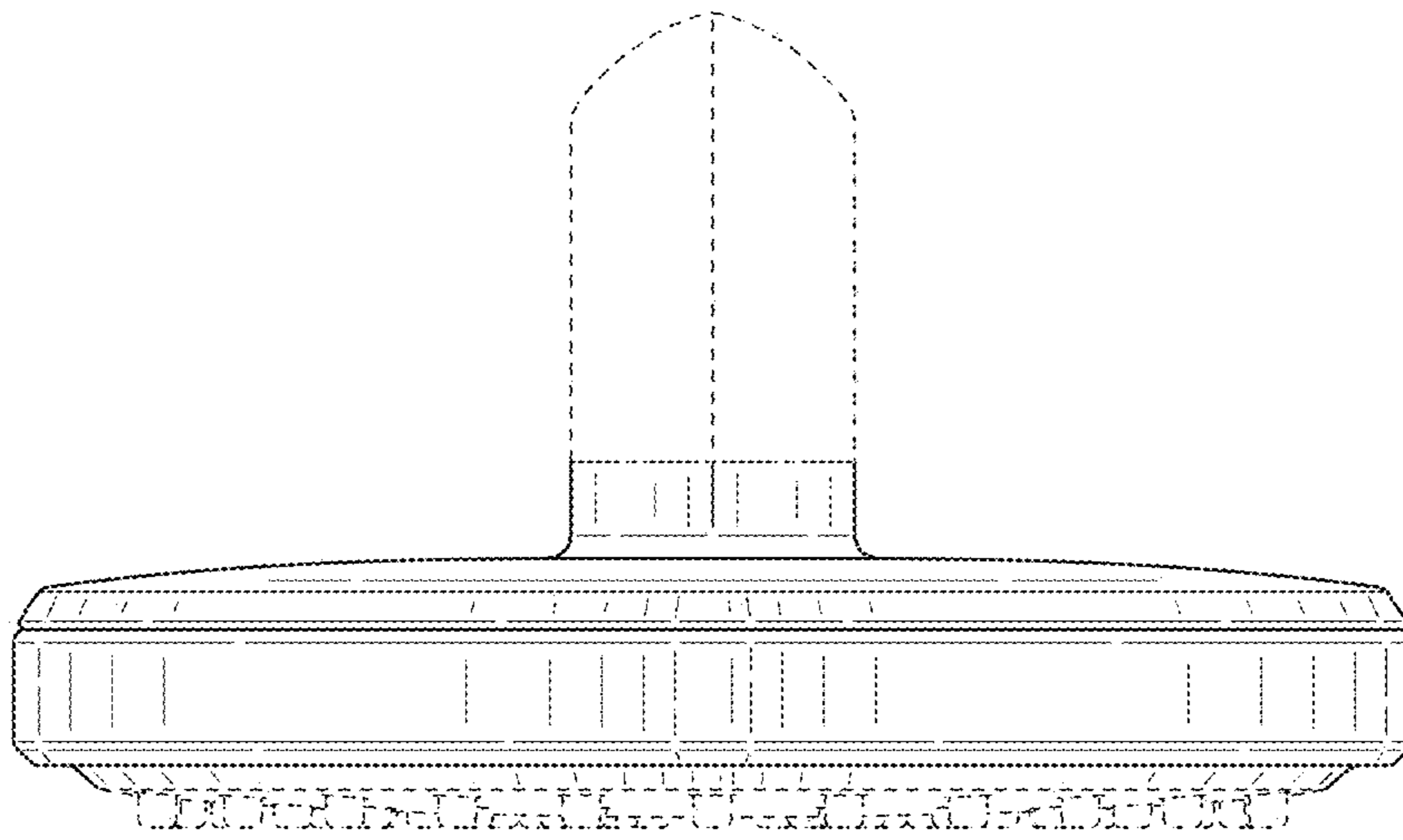


FIG. 6

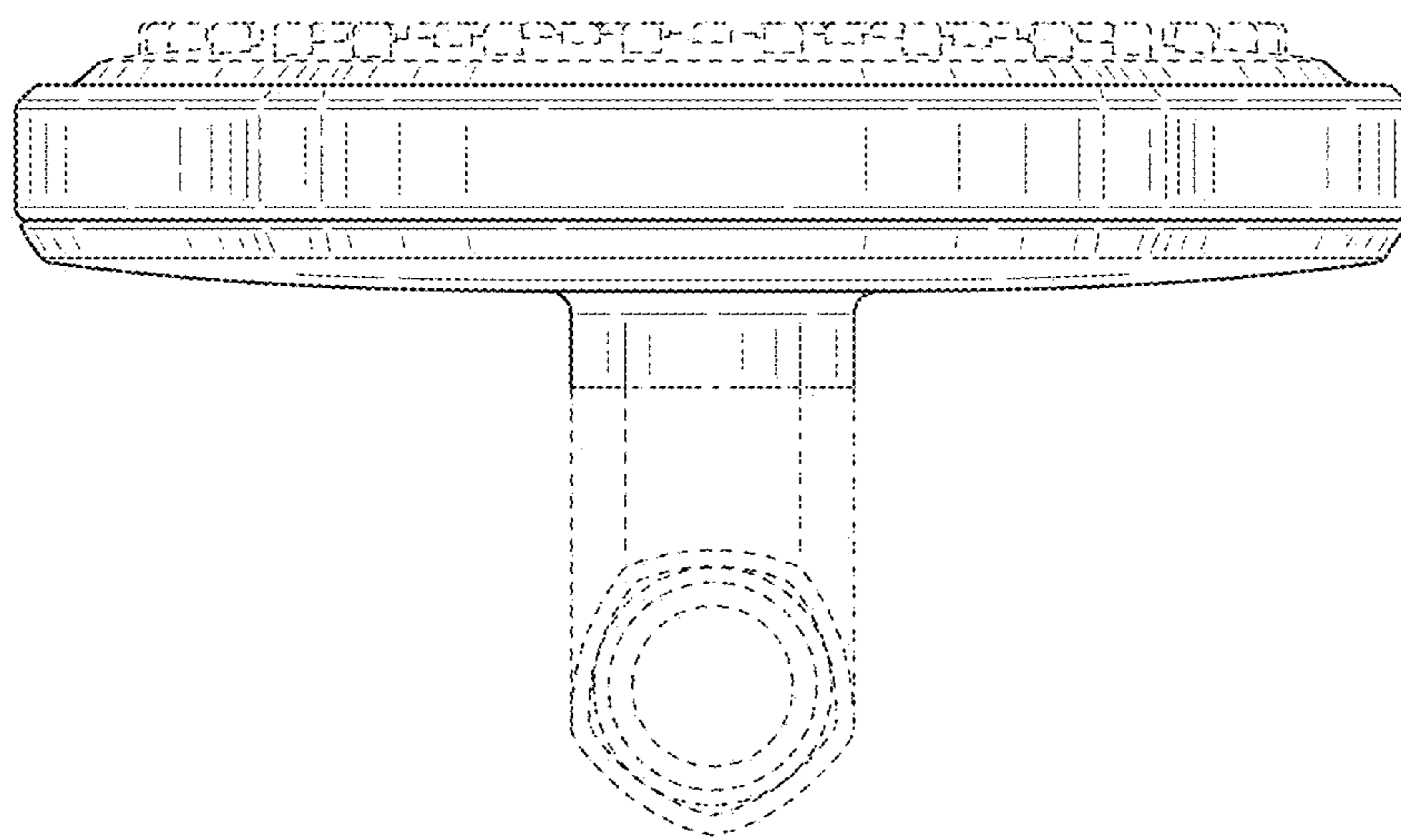


FIG. 7