



US00D989227S

(12) **United States Design Patent** (10) **Patent No.:** **US D989,227 S**  
**Stein et al.** (45) **Date of Patent:** **\*\* Jun. 13, 2023**

(54) **JET REGULATOR**  
(71) Applicant: **Neoperl GmbH**, Mullheim (DE)  
(72) Inventors: **Alexander Stein**, Ihringen (DE);  
**Alexandra Welz**, Mullheim (DE)  
(73) Assignee: **Neoperl GmbH**, Müllheim (DE)  
(\*\*) Term: **15 Years**  
(21) Appl. No.: **29/746,030**  
(22) Filed: **Aug. 11, 2020**

D732,140 S 6/2015 Tempel  
D752,710 S 3/2016 Tempel  
D776,240 S 1/2017 Huang et al.  
D788,264 S 5/2017 Stein  
D800,867 S 10/2017 Blum  
D828,492 S 9/2018 Stein  
D834,153 S \* 11/2018 Tempel ..... D23/260  
D863,503 S 10/2019 Tempel  
10,500,597 B2 12/2019 Wu  
2006/0273203 A1 12/2006 Denzler  
2011/0278380 A1 11/2011 Zoller  
2013/0082121 A1 4/2013 Stein et al.  
2014/0203107 A1 7/2014 Lacher et al.

(Continued)

**Related U.S. Application Data**

(62) Division of application No. 29/659,192, filed on Aug. 7, 2018, now Pat. No. Des. 896,343, which is a division of application No. 35/501,707, filed on Sep. 12, 2016 (U.S. filing date under 35 U.S.C. 384), and having an international filing date of Sep. 12, 2016, now Pat. No. Des. 828,492.  
(51) **LOC (14) Cl.** ..... **23-01**  
(52) **U.S. Cl.**  
USPC ..... **D23/213**  
(58) **Field of Classification Search**  
USPC ..... D23/200, 207, 213, 249  
CPC ..... E03C 1/08; E03C 1/084; E03C 1/086  
See application file for complete search history.

**References Cited**

**U.S. PATENT DOCUMENTS**

D529,140 S 9/2006 Grether  
D536,424 S 2/2007 Grether  
D539,873 S 4/2007 Grether  
D550,816 S 9/2007 Grether  
D550,818 S 9/2007 Grether  
D612,911 S 3/2010 Grether  
D641,837 S 7/2011 Grether  
D697,175 S 1/2014 Grether  
D709,593 S 7/2014 Blum

**OTHER PUBLICATIONS**

Design No. 000452594-0008, 12/21/2002—European Union Intellectual Property Office (EUIPO) Publication Date—Feb. 14, 2006  
Owner—Neoperl GmbH retrieved through DesignView, available at [www.tmdn.org/tmdsview-web/welcome.\\*](http://www.tmdn.org/tmdsview-web/welcome.*)

(Continued)

*Primary Examiner* — Mary Ann Calabrese  
(74) *Attorney, Agent, or Firm* — Volpe Koenig

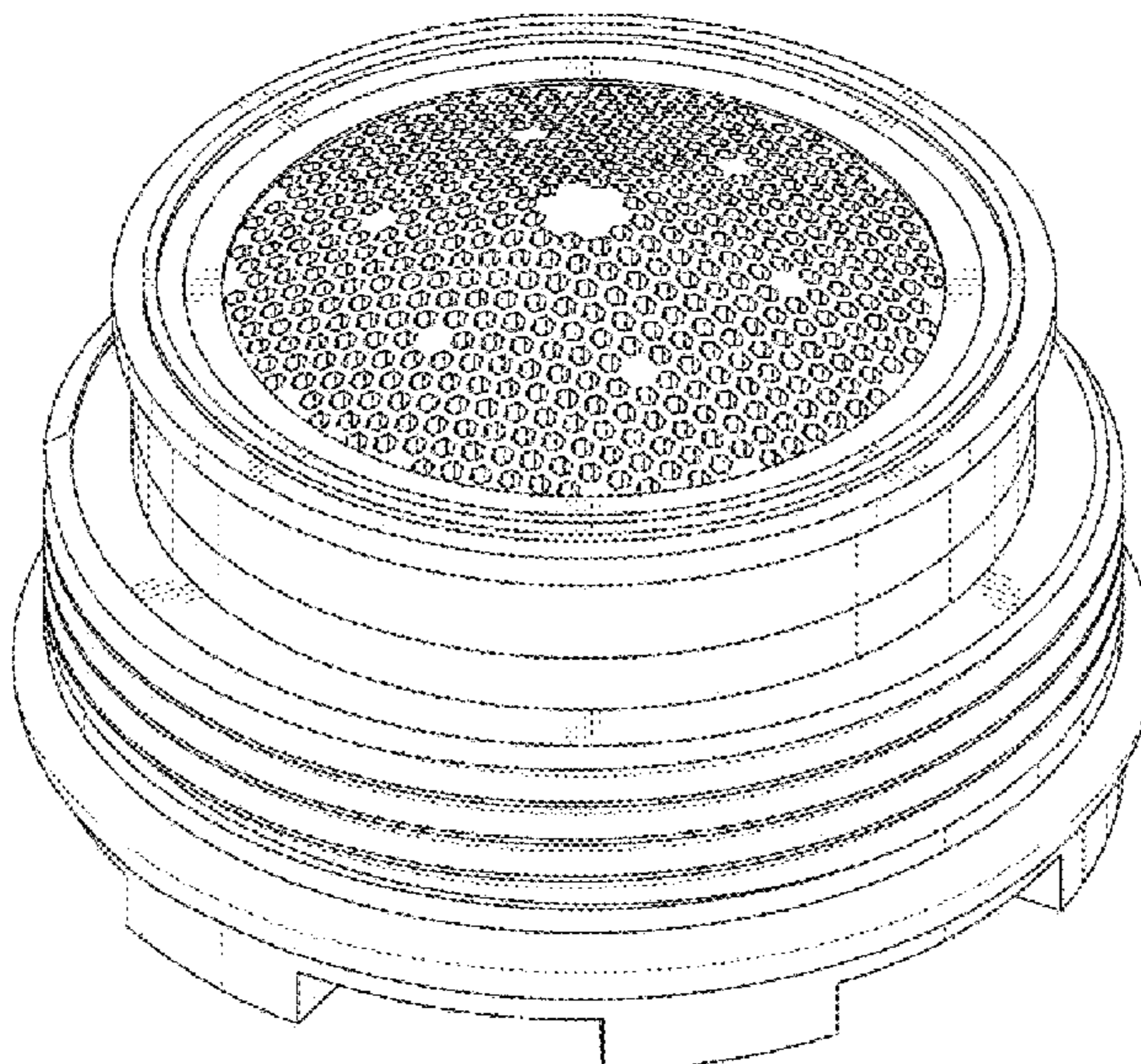
**CLAIM**

The ornamental design for a jet regulator, as shown and described.

**DESCRIPTION**

FIG. 1 is a top plan view of a jet regulator in accordance with our design;  
FIG. 2 is a top, front perspective view thereof;  
FIG. 3 is a bottom plan view thereof;  
FIG. 4 is a bottom, rear perspective view thereof;  
FIG. 5 is a front elevational view thereof;  
FIG. 6 is a right side elevational view thereof;  
FIG. 7 is a rear elevational view thereof; and,  
FIG. 8 is a left side elevational view thereof.

**1 Claim, 4 Drawing Sheets**



(56)

**References Cited**

U.S. PATENT DOCUMENTS

2017/0138026 A1 5/2017 Huang et al.  
2020/0002925 A1 1/2020 Gong

OTHER PUBLICATIONS

Design No. 001997-2011, Nov. 21, 2011—Peruvian Designs (PE)  
Publication Date—Mar. 1, 2012 Owner—Neoperl GmbH, Designer—  
Gerhard Blum retrieved through WIPO Global Design Database  
available at <https://www3.wipo.int/designdb/en/index.jsp>.\*

\* cited by examiner



Fig. 1

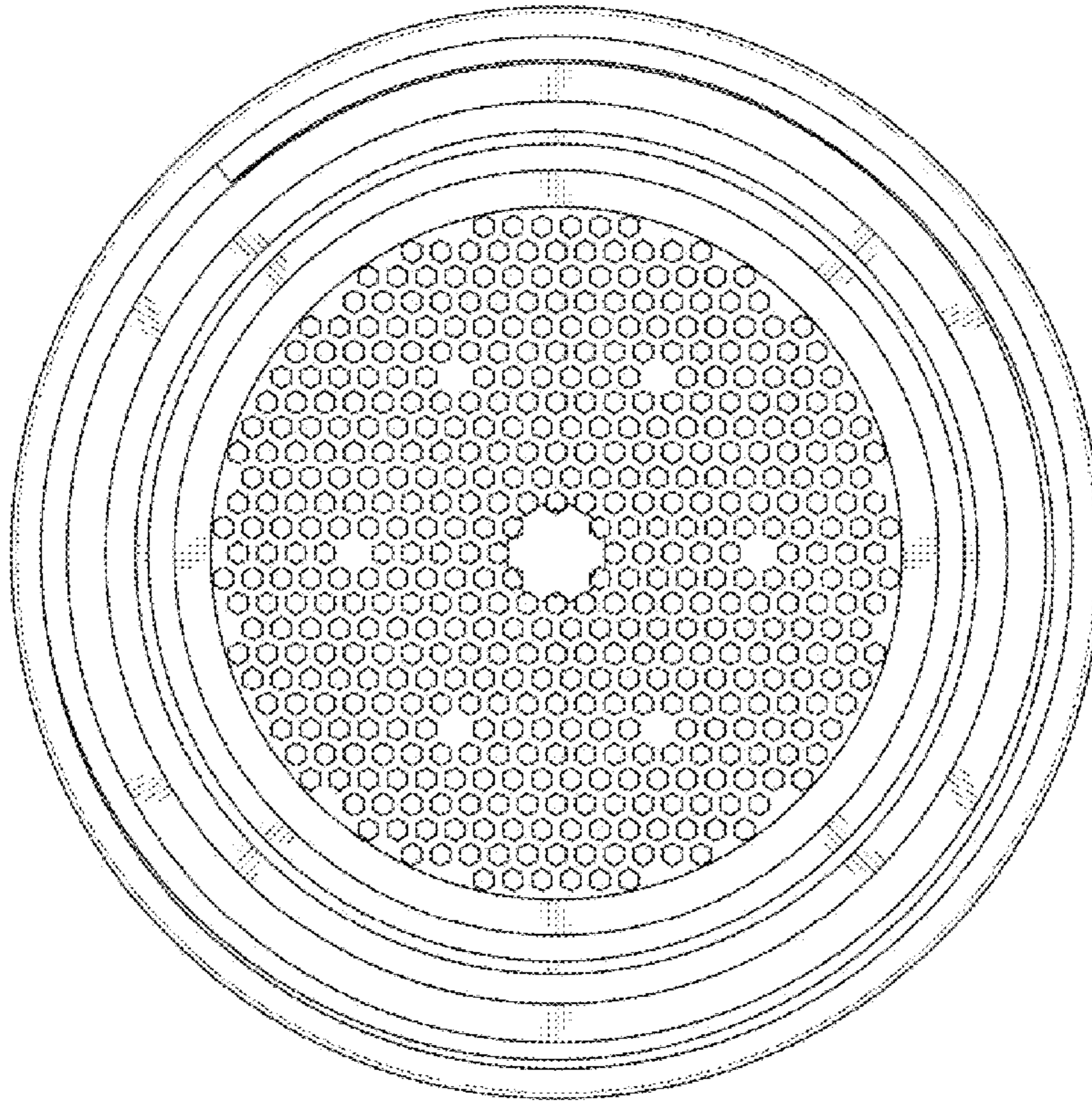


Fig. 2

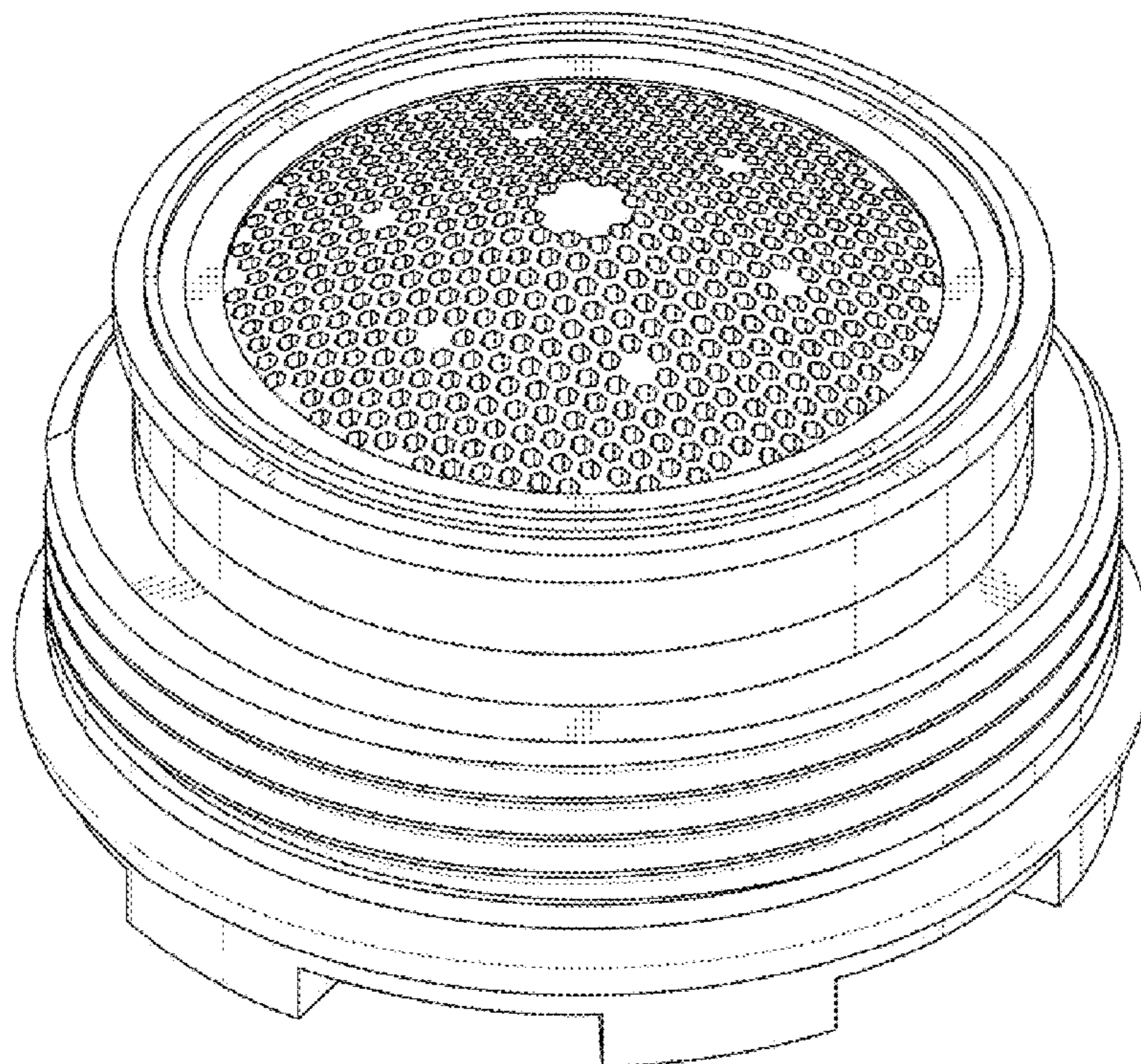




Fig. 3

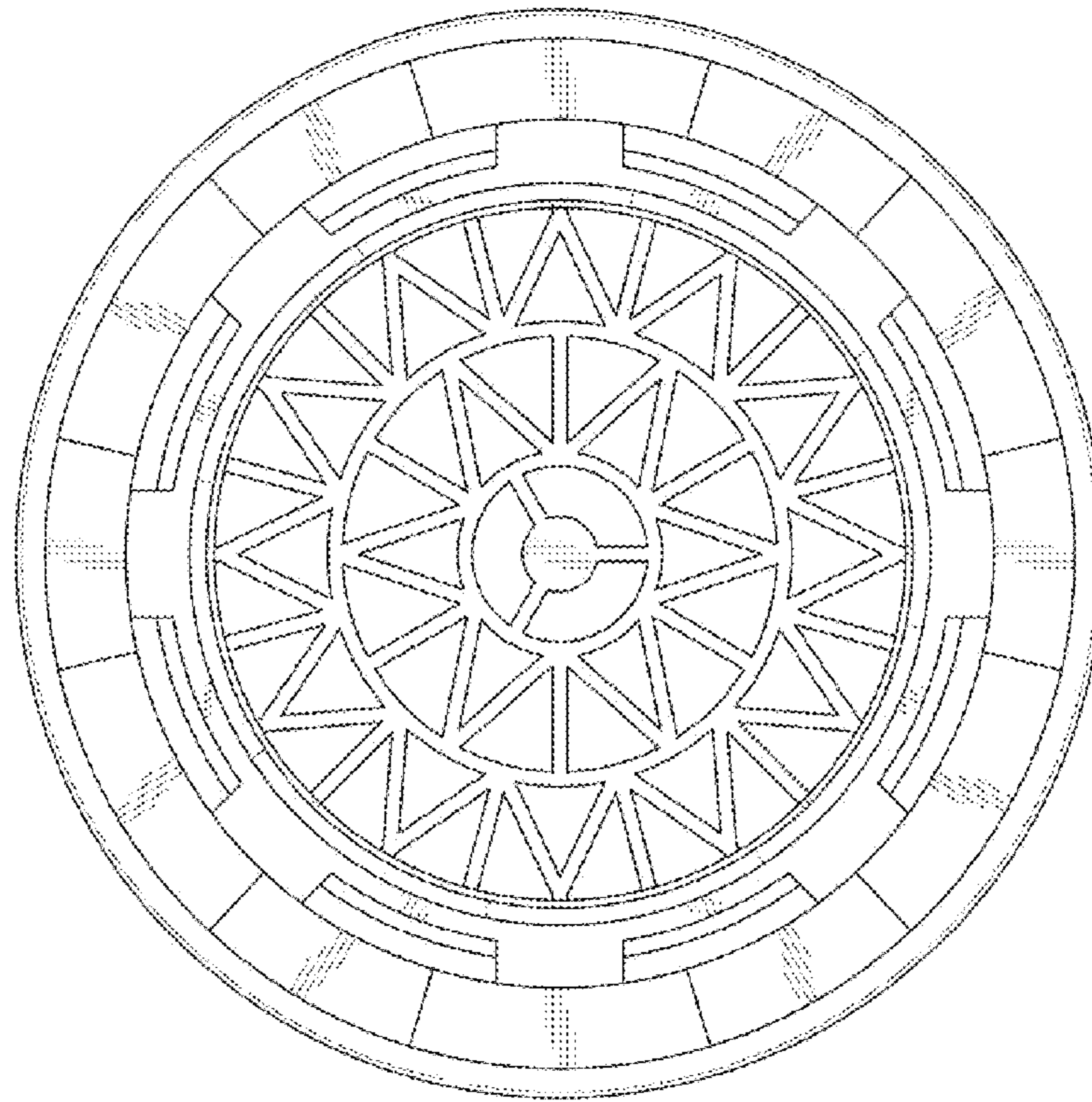


Fig. 4

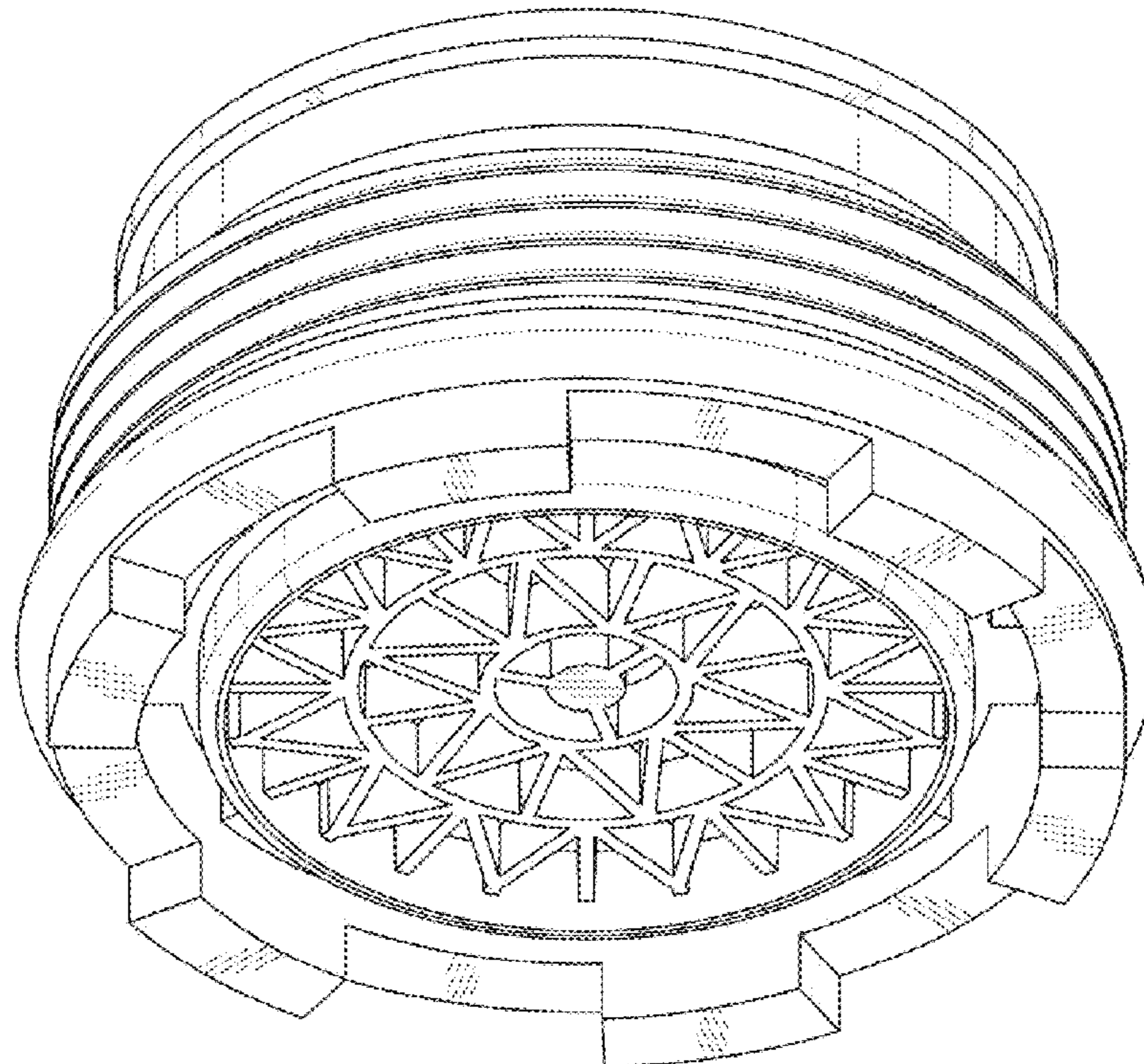


Fig. 5

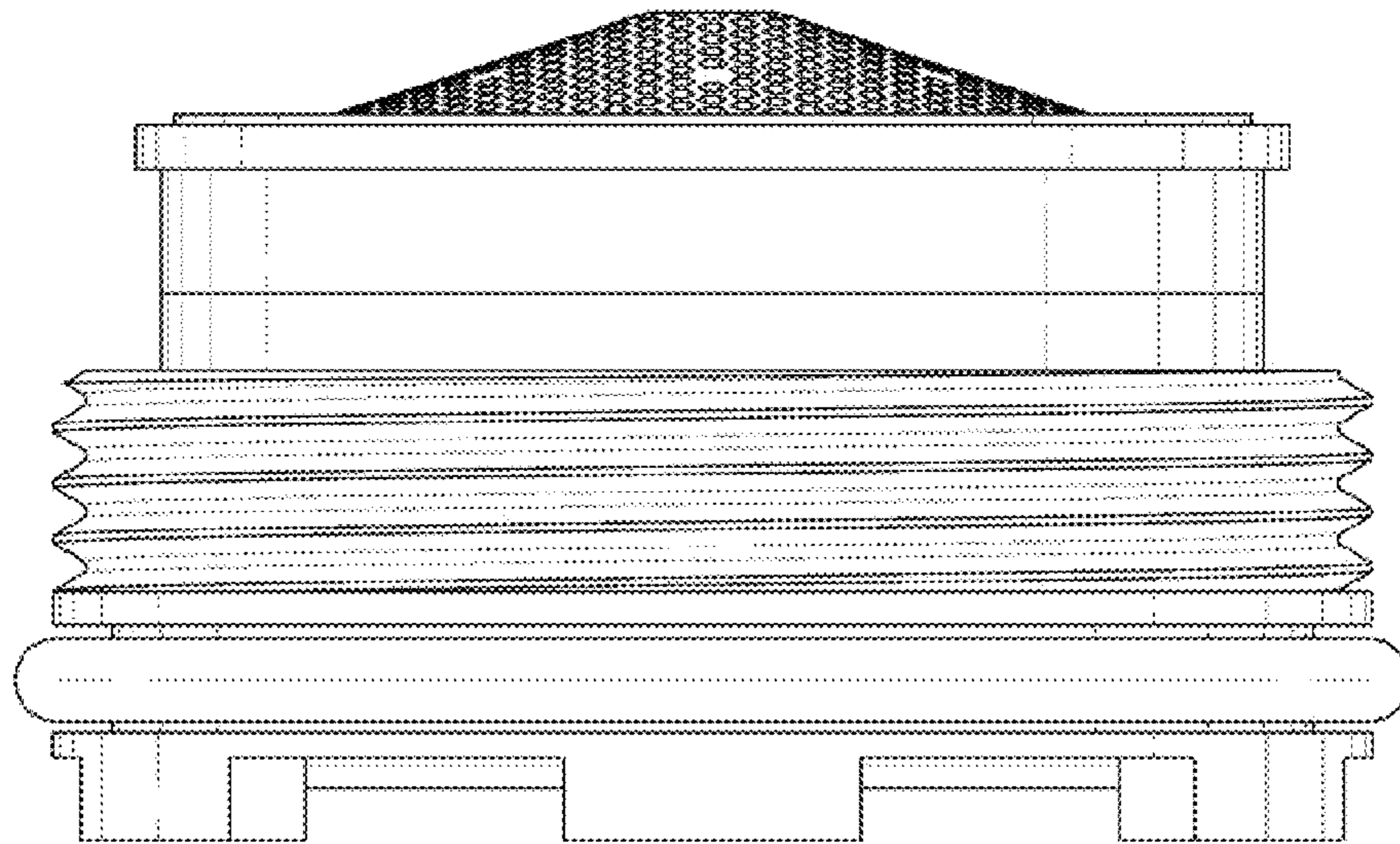


Fig. 6

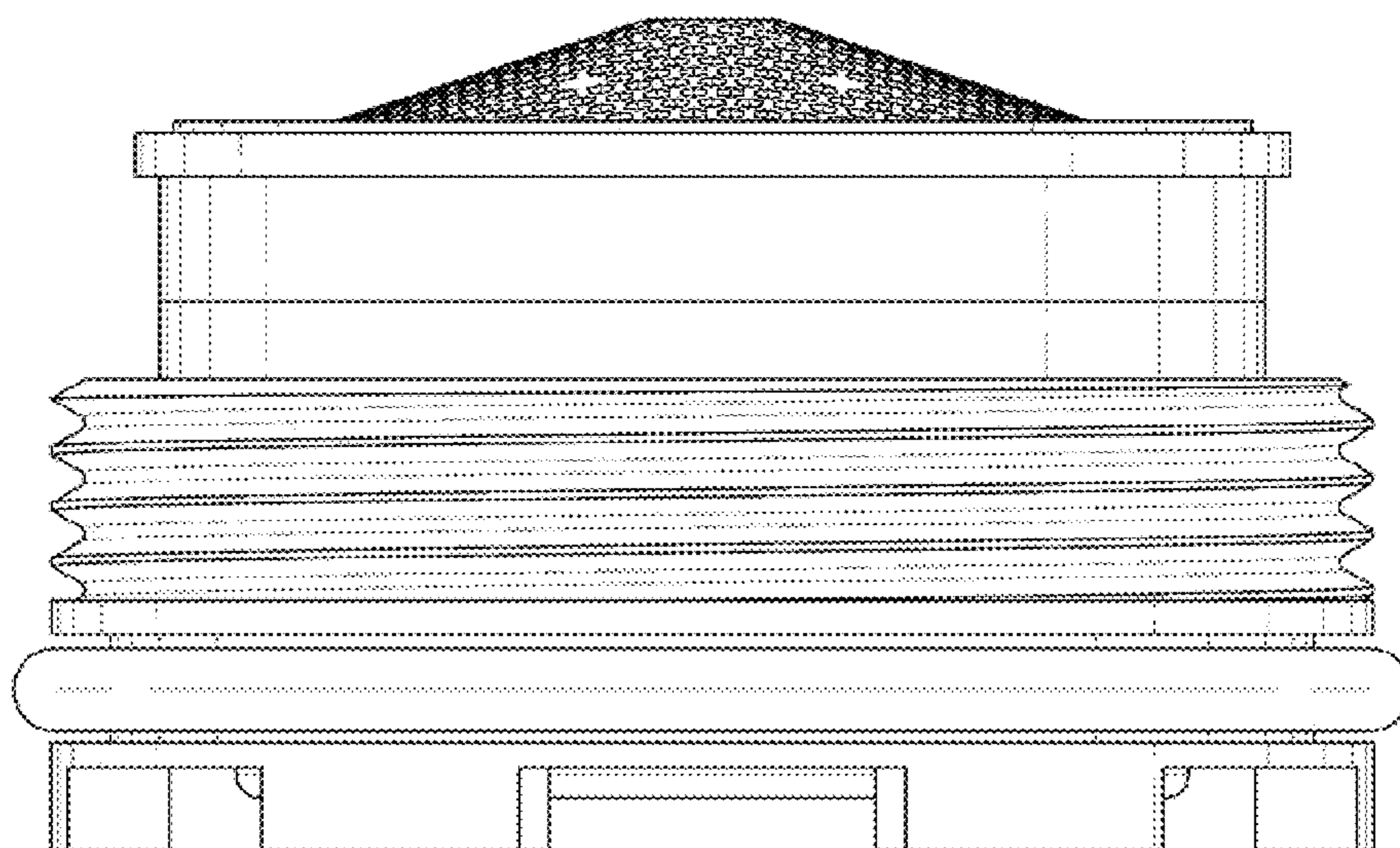




Fig. 7

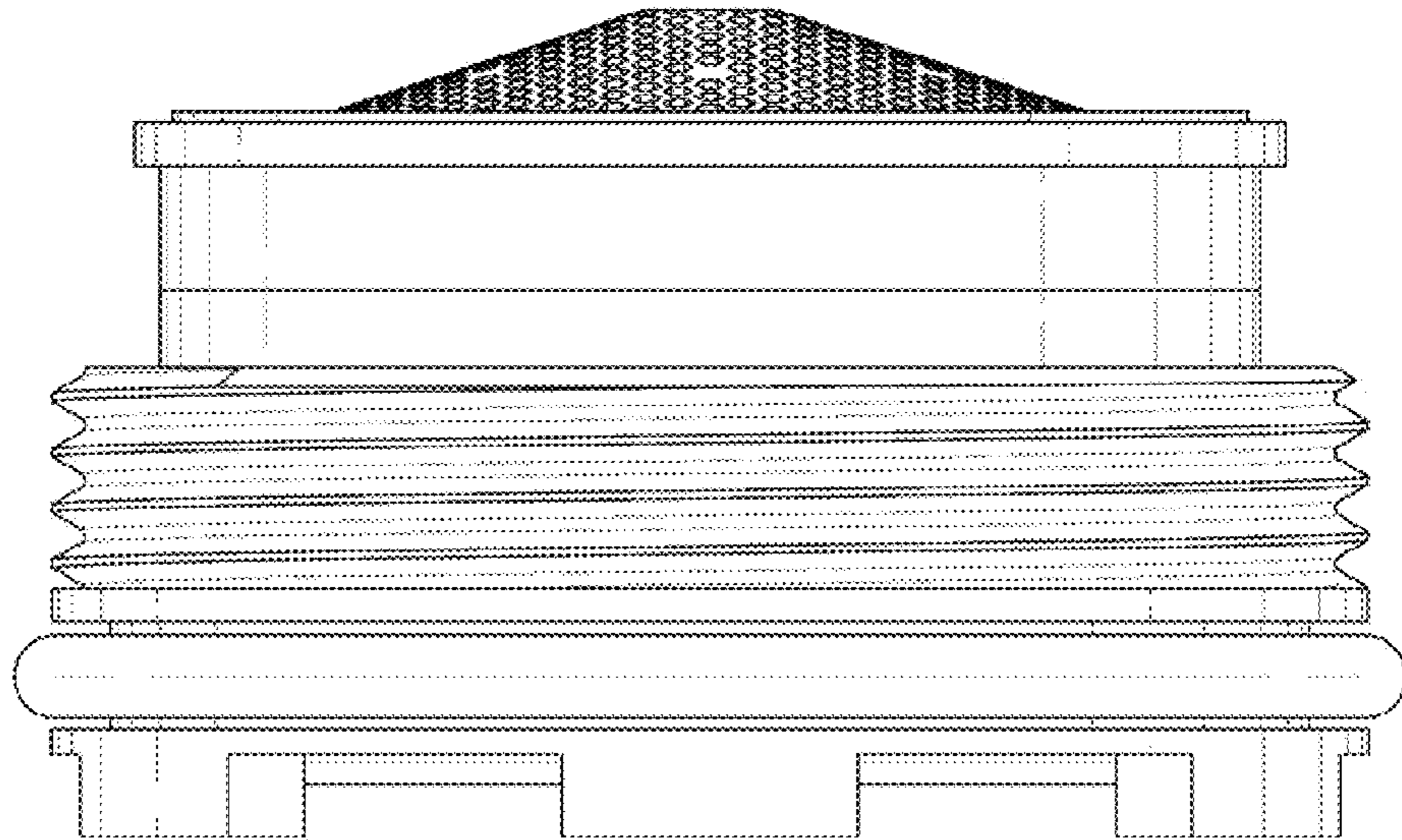


Fig. 8

