



US00D989226S

(12) **United States Design Patent**  
**Melkonian**

(10) **Patent No.:** **US D989,226 S**  
(45) **Date of Patent:** **\*\* Jun. 13, 2023**

(54) **FILTER**

(71) Applicant: **Brio Water Technology, Inc.**, City of Industry, CA (US)  
(72) Inventor: **Arman Melkonian**, Granada Hills, CA (US)

(73) Assignee: **Brio Water Technology, Inc.**, City of Industry, CA (US)

(\*\*) Term: **15 Years**

(21) Appl. No.: **29/844,958**

(22) Filed: **Jul. 1, 2022**

(51) **LOC (14) Cl.** ..... **23-01**

(52) **U.S. Cl.**  
USPC ..... **D23/209**

(58) **Field of Classification Search**

USPC ..... D23/209, 365, 207, 206, 249; D7/400, D7/667; 210/416.5  
CPC ..... B01J 20/20; B01J 20/28069; B01J 20/28023; B01J 20/28083; B01J 20/28; B01J 20/28016; B01J 20/2803; B01J 20/28085; B01J 20/28004; C02F 1/283; C02F 9/005; C02F 1/003; C02F 2303/04; C02F 2209/40; C02F 2209/44; C02F 2307/04; C02F 2201/006; C02F 2201/005; C02F 2301/043; C02F 2307/12; B01D 39/2003; B01D 39/2065; B01D 39/2058; B01D 39/2062; B01D 39/2072; B01D 39/1623; B01D 2239/1291; B01D 2239/0618; B01D 2239/0216; B01D 2239/0613; B01D 2239/0485; B01D 2239/1208; B01D 2239/1216; B01D 2239/086; B01D 2239/0442; B01D

(Continued)

(56) **References Cited**

**U.S. PATENT DOCUMENTS**

D221,850 S \* 9/1971 Anderson ..... D23/209  
D306,754 S \* 3/1990 Petrucci ..... D23/209

(Continued)

**FOREIGN PATENT DOCUMENTS**

CN 202030177342.7 \* 10/2020  
KR 3020190060673 \* 7/2020  
RU 2018503703 \* 8/2019

**OTHER PUBLICATIONS**

“Waterdrop 10UA Under Sink Water Filter System, Reduces Lead, Chlorine, Bad Taste & Odor, Under Counter Water Filter Direct Connect to Kitchen Faucet, NSF/ANSI 42 Certified, 8K Gallons, USA Tech”, Date First Available: Jan. 8, 2020 [online] [site visited on Sep. 12, 2022] [https://www.amazon.com/Waterdrop-Capacity-Filtration-Fluoride-Chlorine/dp/B083NPW1DN/ref=sr\\_1\\_2\\_sspa?keywords=waterdrop+filter&qid=1662997111&srefix=waterdrop+%2Caps%2C143&sr=8-2-spons&psc=1&smid=A1G97TP4EUQK6R](https://www.amazon.com/Waterdrop-Capacity-Filtration-Fluoride-Chlorine/dp/B083NPW1DN/ref=sr_1_2_sspa?keywords=waterdrop+filter&qid=1662997111&srefix=waterdrop+%2Caps%2C143&sr=8-2-spons&psc=1&smid=A1G97TP4EUQK6R) (Year: 2020).\*

(Continued)

*Primary Examiner* — Amy C Wierenga

*Assistant Examiner* — Andrea Marie McKay

(74) *Attorney, Agent, or Firm* — Foundation Law Group LLP; Sevag Demirjian; J D Harriman

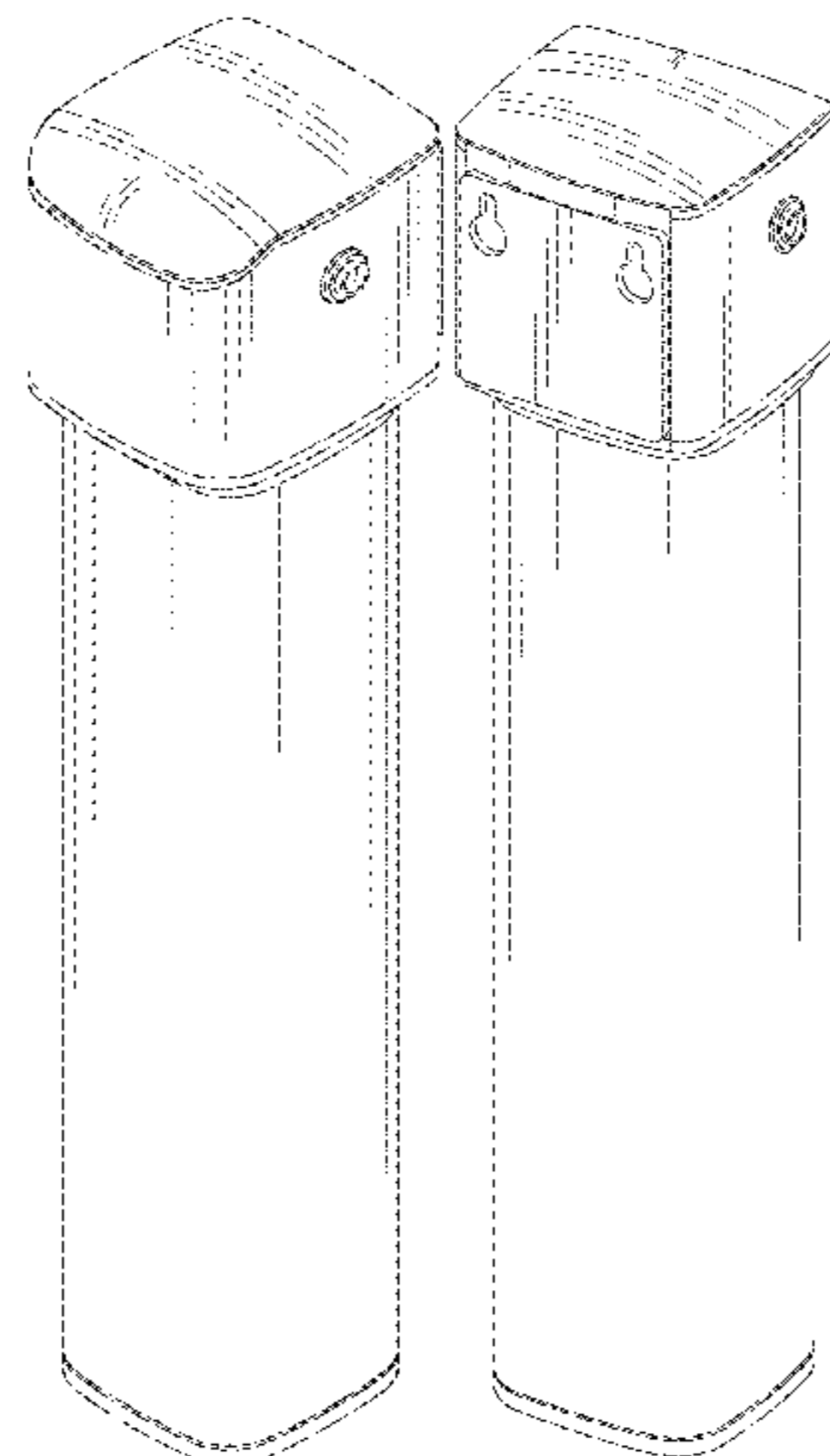
(57) **CLAIM**

I claim the ornamental design for a filter, as shown and described.

**DESCRIPTION**

FIG. 1 is a top perspective view, showing my new design for a filter;  
FIG. 2 is a rear perspective view;  
FIG. 3 is a front elevation view thereof;  
FIG. 4 is a rear elevation view thereof;  
FIG. 5 is a left side elevation view thereof;  
FIG. 6 is a right side elevation view thereof;  
FIG. 7 is a top plan view thereof; and,  
FIG. 8 is a bottom plan view thereof.  
The broken lines show portions of the filter that form no part of the claimed design.

**1 Claim, 8 Drawing Sheets**



(58) **Field of Classification Search**  
 CPC ..... 2239/064; B01D 35/153; B01D 35/147;  
 B01D 2201/303; B01D 2201/4023; F25D  
 23/126; F25D 2323/121  
 See application file for complete search history.

D960,290 S \* 8/2022 Higaki ..... B01J 20/20  
 D23/209  
 D961,042 S \* 8/2022 Zou ..... B01D 46/2414  
 D23/209  
 D961,043 S \* 8/2022 Wei ..... B01D 35/153  
 D23/209

(56) **References Cited**

U.S. PATENT DOCUMENTS

D317,040 S \* 5/1991 Petrucci ..... D23/209  
 D456,486 S \* 4/2002 Kurth ..... D23/209  
 D482,101 S \* 11/2003 Rampen ..... D23/209  
 D547,826 S \* 7/2007 Kennedy ..... D23/209  
 D582,002 S \* 12/2008 Suthmann ..... D23/209  
 D583,389 S 12/2008 Bilger  
 D610,649 S 2/2010 Kulikov et al.  
 D610,650 S \* 2/2010 Kulikov ..... D23/209  
 7,740,766 B2 \* 6/2010 Mitchell ..... B01J 20/20  
 210/767  
 D630,296 S \* 1/2011 Quintel ..... D23/209  
 D641,066 S 7/2011 Choi  
 D660,079 S 5/2012 Ben-David et al.  
 D668,741 S \* 10/2012 Choi ..... D23/209  
 D712,007 S \* 8/2014 Reid ..... D23/209  
 D750,741 S \* 3/2016 Branscomb ..... D23/209  
 D750,742 S \* 3/2016 Branscomb ..... D23/209  
 D753,788 S \* 4/2016 Huda ..... D23/209  
 D759,196 S \* 6/2016 Wei ..... D23/209  
 D768,812 S \* 10/2016 Kruse ..... D23/209  
 D827,768 S \* 9/2018 Brill ..... D23/209  
 D827,769 S \* 9/2018 Brill ..... D23/209  
 D832,394 S \* 10/2018 Sutton ..... D23/209  
 D847,300 S \* 4/2019 Graham ..... D23/209  
 10,525,387 B2 \* 1/2020 Campbell ..... B01D 35/153  
 D886,976 S 6/2020 Horner et al.  
 D888,886 S \* 6/2020 Tanaka ..... D23/209  
 D890,297 S \* 7/2020 Tanaka ..... D23/209  
 D892,975 S \* 8/2020 Tanaka ..... D23/209  
 D893,674 S \* 8/2020 Tanaka ..... D23/209  
 D894,330 S \* 8/2020 Tanaka ..... D23/209  
 D894,331 S \* 8/2020 Tanaka ..... D23/209  
 D900,526 S 11/2020 Rummel et al.  
 D941,421 S \* 1/2022 Kruse ..... D23/207  
 D945,559 S \* 3/2022 Wei ..... D23/209  
 D951,393 S \* 5/2022 Wei ..... D23/209  
 11,319,958 B2 \* 5/2022 Schaller ..... B01D 46/2414

OTHER PUBLICATIONS

Waterdrop TSA 3-Stage Under Sink Water Filter, Direct Connect to Home Faucet, NSF/ANSI 42 Certified Element, USA Tech, Date First Available: Oct. 30, 2020 [online] [site visited on Sep. 12, 2022] [https://www.amazon.com/dp/B08P58F9SG/ref=sspa\\_dk\\_detail\\_0?pd\\_rd\\_i=B08P58F9SG&pd\\_rd\\_w=CDgle&content-id=amzn1.sym.4d0ffec-3aba-4480-8fad-c6bd8f7f6b41&pf\\_rd\\_p=4d0ffec-3aba-4480-8fad-c6bd8f7f6b41&pf\\_rd\\_r=CJZGC5AFW22BVJW94SB&pd\\_rd\\_wg=XLDev&pd\\_rd\\_r=b465898c-41a1-4e60-9c8f-4ea608f3df18&s=hi&sp\\_csd=d2lkZ2V0TmFtZT1zcF9kZXRhaWw&th=1](https://www.amazon.com/dp/B08P58F9SG/ref=sspa_dk_detail_0?pd_rd_i=B08P58F9SG&pd_rd_w=CDgle&content-id=amzn1.sym.4d0ffec-3aba-4480-8fad-c6bd8f7f6b41&pf_rd_p=4d0ffec-3aba-4480-8fad-c6bd8f7f6b41&pf_rd_r=CJZGC5AFW22BVJW94SB&pd_rd_wg=XLDev&pd_rd_r=b465898c-41a1-4e60-9c8f-4ea608f3df18&s=hi&sp_csd=d2lkZ2V0TmFtZT1zcF9kZXRhaWw&th=1) (Year: 2020).\*

Waterdrop 15UA-NC 19000 Gallons Under Sink Water Filter System, NSF/ANSI 42 Certified, Reduce Chlorine, Bad Taste & Odor, Direct Connect to Kitchen Faucet, USA Tech, Date First Available: Jun. 25, 2021 [online] [site visited Sep. 23, 2022] [https://www.amazon.com/Waterdrop-Certified-Connect-Counter-Capacity-dp-B097Y9KL3V/dp/B097Y9KL3V/ref=dp\\_ob\\_title\\_hi](https://www.amazon.com/Waterdrop-Certified-Connect-Counter-Capacity-dp-B097Y9KL3V/dp/B097Y9KL3V/ref=dp_ob_title_hi) (Year: 2021).\*

Whirlpool WHESFC Pro Series—Softener/Whole Home Filter Hybrid, Gray, Date First Available: Apr. 25, 2019 [online] [site visited Sep. 28, 2022] [https://www.amazon.com/dp/B07R62N8SQ/ref=sspa\\_dk\\_detail\\_6?pf\\_rd\\_p=46bad5f6-1f0a-4167-9a8b-c8a82fa48a54&pf\\_rd\\_r=JB6VHPKAGE8W7S17B8QB&pd\\_rd\\_wg=ssTHb&pd\\_rd\\_w=uzmkx&content-id=amzn1.sym.46bad5f6-1f0a-4167-9a8b-c8a82fa48a54&pd\\_rd\\_r=b218a8be-6fb9-488b-9c57-cdce4de1d488&s=hi&sp\\_csd=d2lkZ2V0TmFtZT1zcF9kZXRhaWw&th=1](https://www.amazon.com/dp/B07R62N8SQ/ref=sspa_dk_detail_6?pf_rd_p=46bad5f6-1f0a-4167-9a8b-c8a82fa48a54&pf_rd_r=JB6VHPKAGE8W7S17B8QB&pd_rd_wg=ssTHb&pd_rd_w=uzmkx&content-id=amzn1.sym.46bad5f6-1f0a-4167-9a8b-c8a82fa48a54&pd_rd_r=b218a8be-6fb9-488b-9c57-cdce4de1d488&s=hi&sp_csd=d2lkZ2V0TmFtZT1zcF9kZXRhaWw&th=1) (Year: 2019).\*

\* cited by examiner

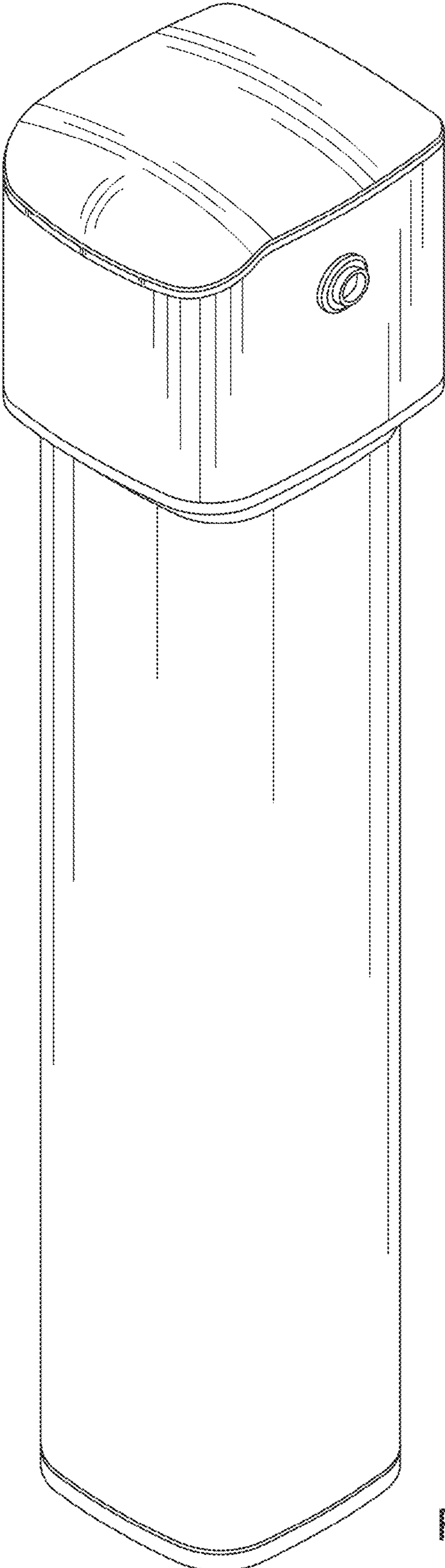


FIG. 1

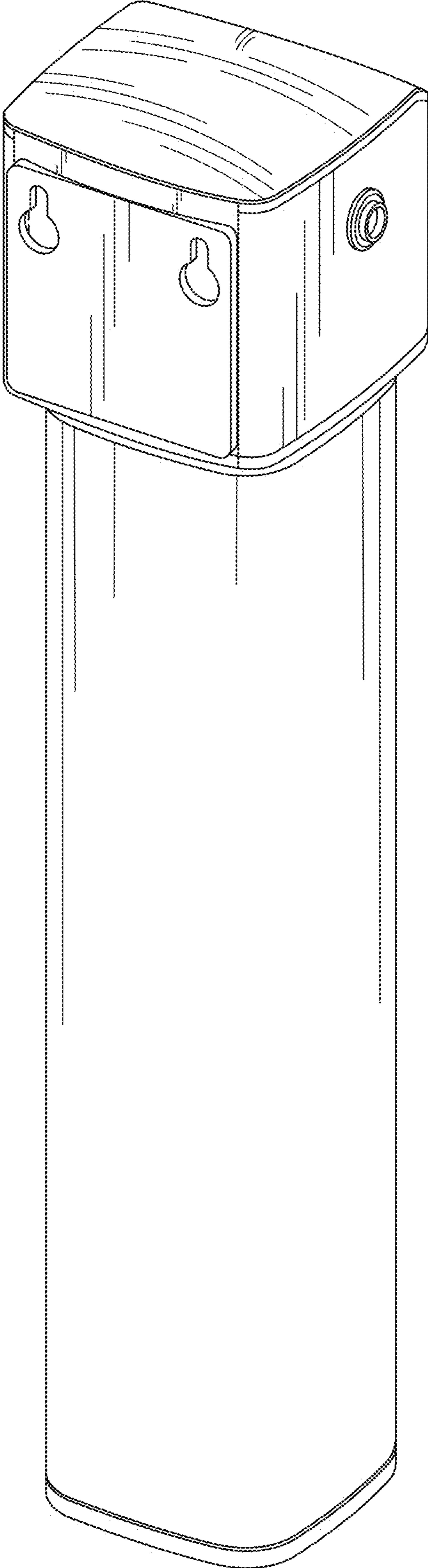


FIG. 2

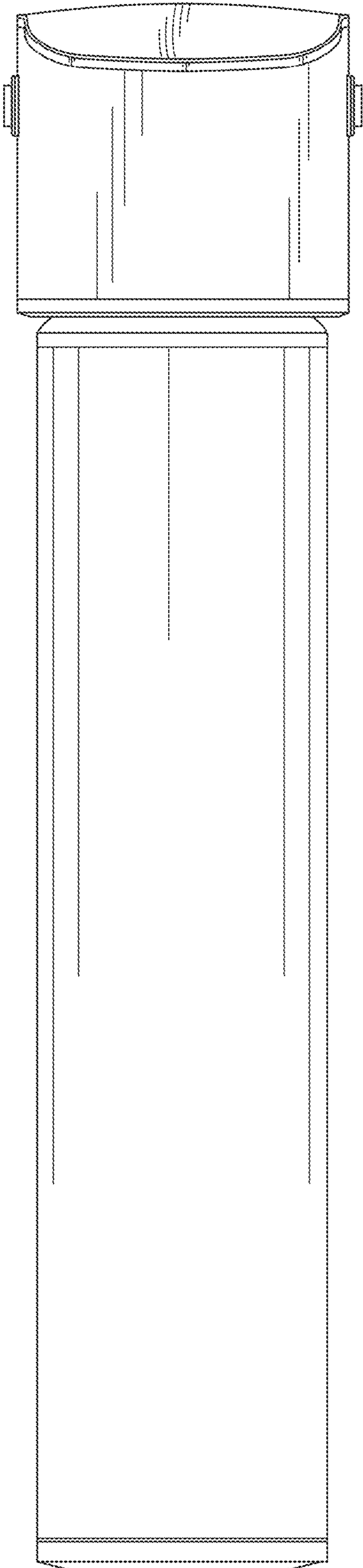


FIG. 3

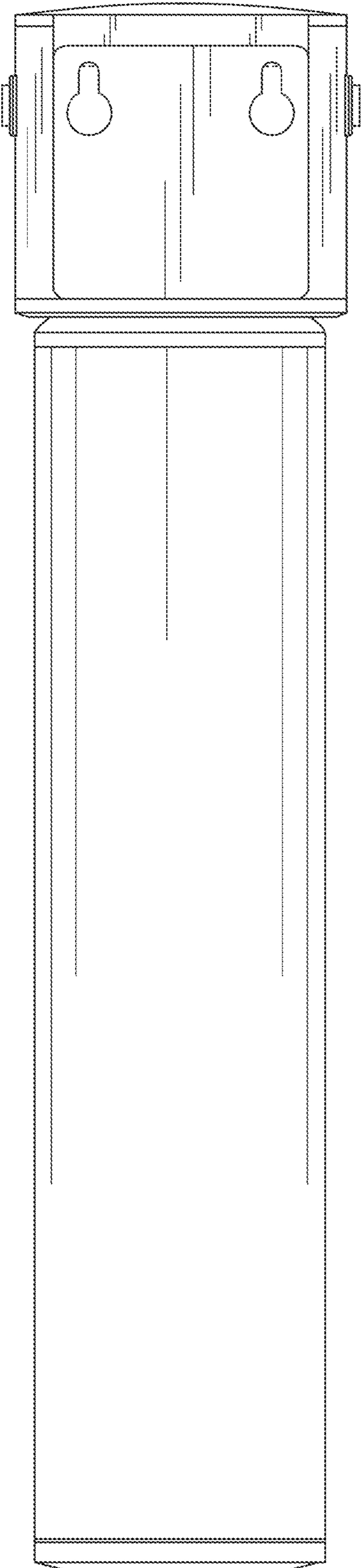


FIG. 4

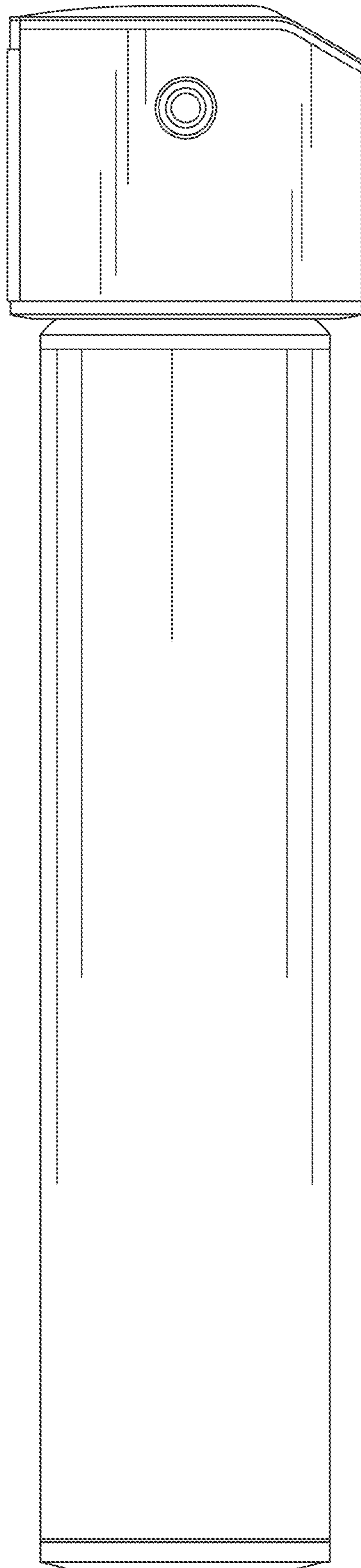


FIG. 5

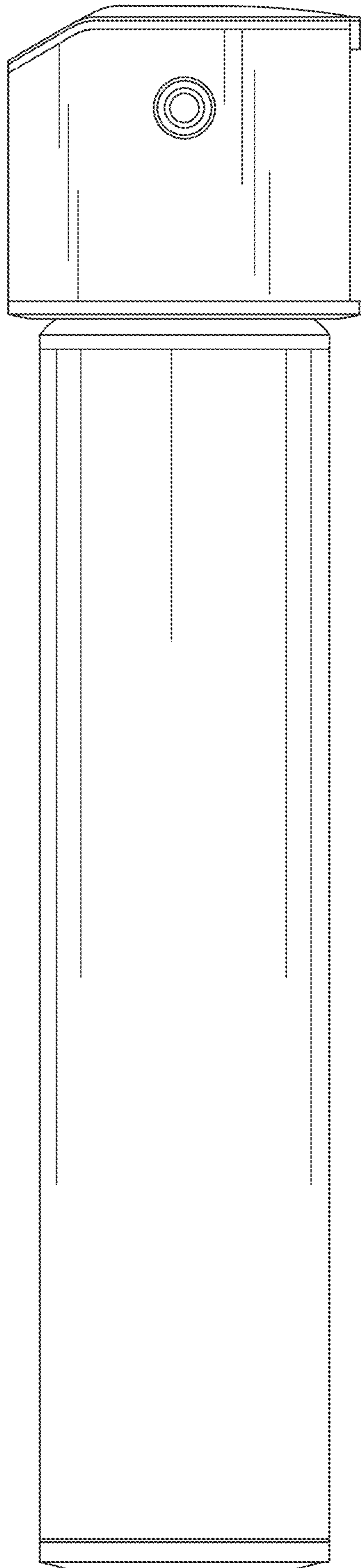


FIG. 6



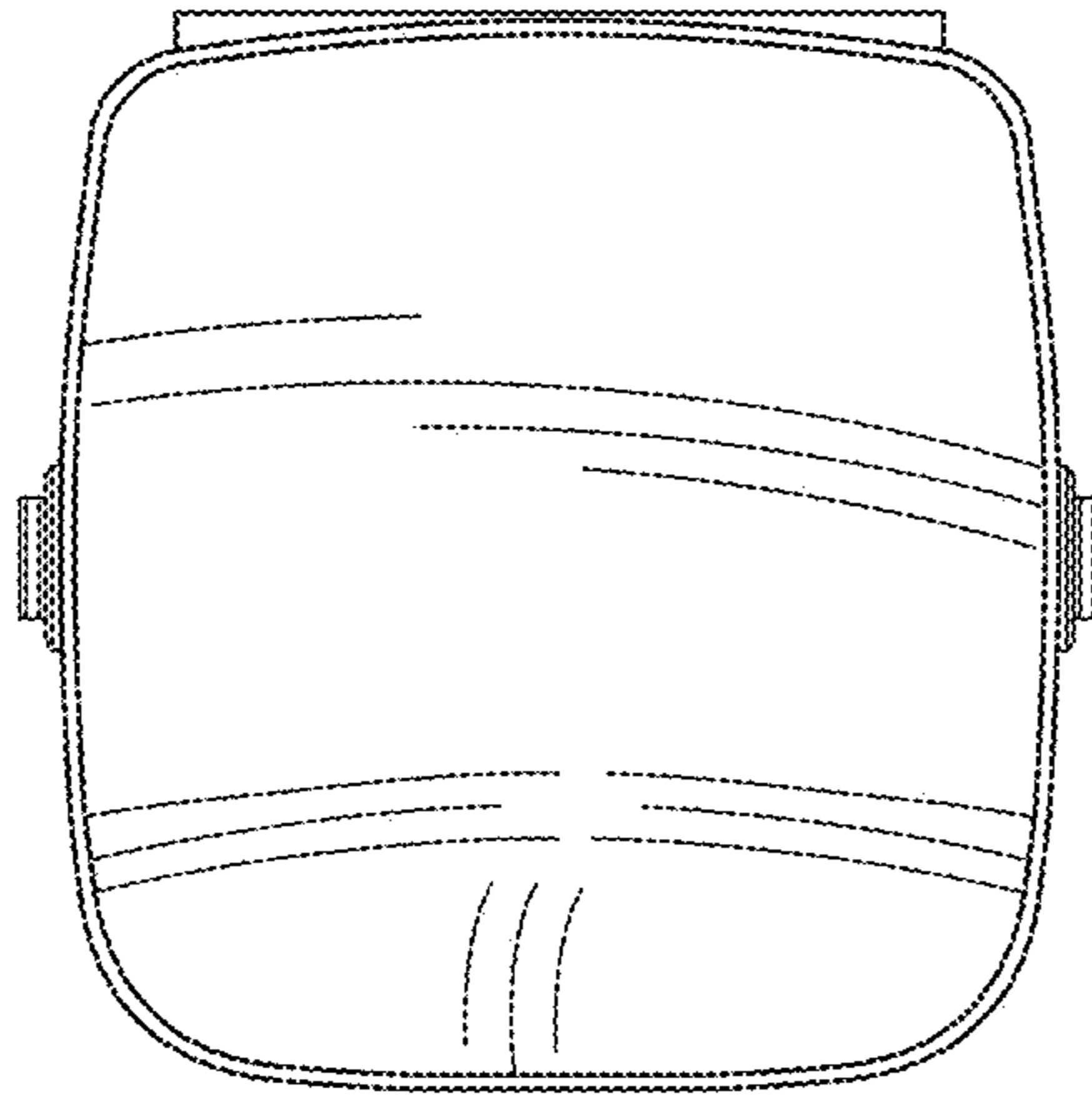


FIG. 7

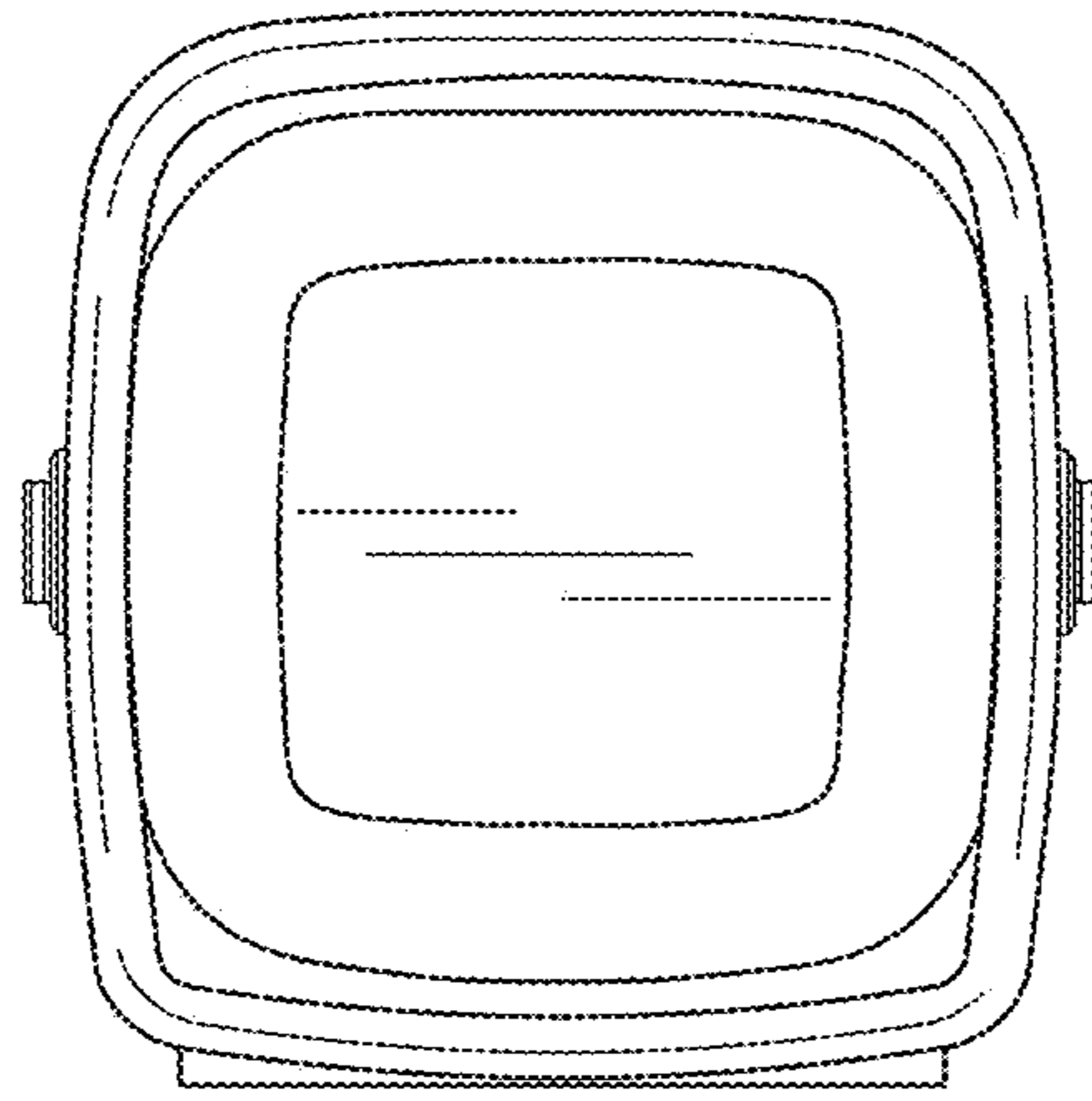


FIG. 8