



US00D989225S

(12) **United States Design Patent**
Kollmann et al.

(10) **Patent No.:** **US D989,225 S**

(45) **Date of Patent:** **** Jun. 13, 2023**

(54) **SEALING LIP FOR A FILTER ELEMENT**

(71) Applicant: **Mahle International GmbH**, Stuttgart (DE)

(72) Inventors: **Andreas Kollmann**, Eitweg (AT);
Patrick Wieler, Urbach (DE)

(73) Assignee: **Mahle International GmbH**

(**) Term: **15 Years**

(21) Appl. No.: **29/684,522**

(22) Filed: **Mar. 21, 2019**

(51) **LOC (14) Cl.** **23-01**

(52) **U.S. Cl.**
USPC **D23/209**

(58) **Field of Classification Search**
USPC D23/202, 205, 207, 209, 210, 259, 260,
D23/262, 269; D13/156
CPC B01D 2201/29; B01D 2201/30; B01D
2201/291; B01D 2201/296; B01D
2201/298; B01D 2201/301; B01D
2201/302; B01D 2201/303; B01D
2201/304; B01D 2201/306; B01D
2201/309; B01D 36/001; B01D 35/02;
B01D 35/30; B01D 29/111; B01D 35/14;
B01D 35/147; B67B 7/24; F16J 15/3284
See application file for complete search history.

(56) **References Cited**

U.S. PATENT DOCUMENTS

D57,407 S * 3/1921 Walker D23/269
1,868,199 A * 7/1932 Pelterie F16J 15/3284
277/944
2,634,145 A * 4/1953 Monahan F16J 15/3284
277/572
4,664,392 A * 5/1987 Hatch F16J 15/3284
29/280

4,961,588 A * 10/1990 Brienza F23G 5/20
432/115
D406,874 S * 3/1999 Farley D23/209
6,029,980 A * 2/2000 Downes F16J 15/322
277/584
6,251,273 B1 6/2001 Jawurek et al.
D584,378 S * 1/2009 Wilson D23/207
D655,795 S * 3/2012 DeWitt F16J 15/3232
D23/269
9,638,327 B1 * 5/2017 Banowetz F16J 15/3232
(Continued)

FOREIGN PATENT DOCUMENTS

DE 3903675 A1 8/1990
DE 19707132 A1 8/1998
(Continued)

OTHER PUBLICATIONS

English abstract for DE-102012000876-C5.
(Continued)

Primary Examiner — Calvin E Vansant
(74) *Attorney, Agent, or Firm* — Fishman Stewart PLLC

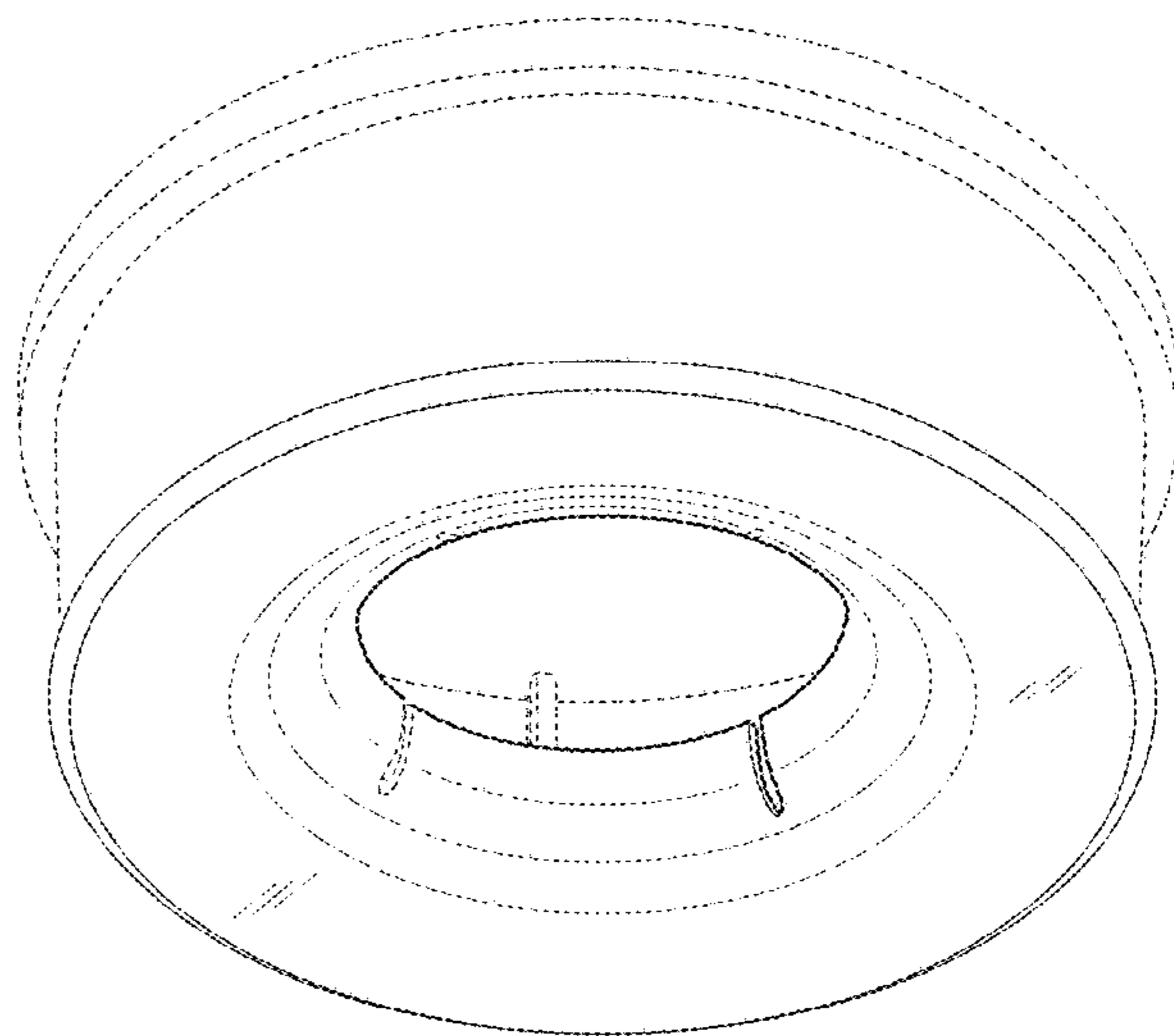
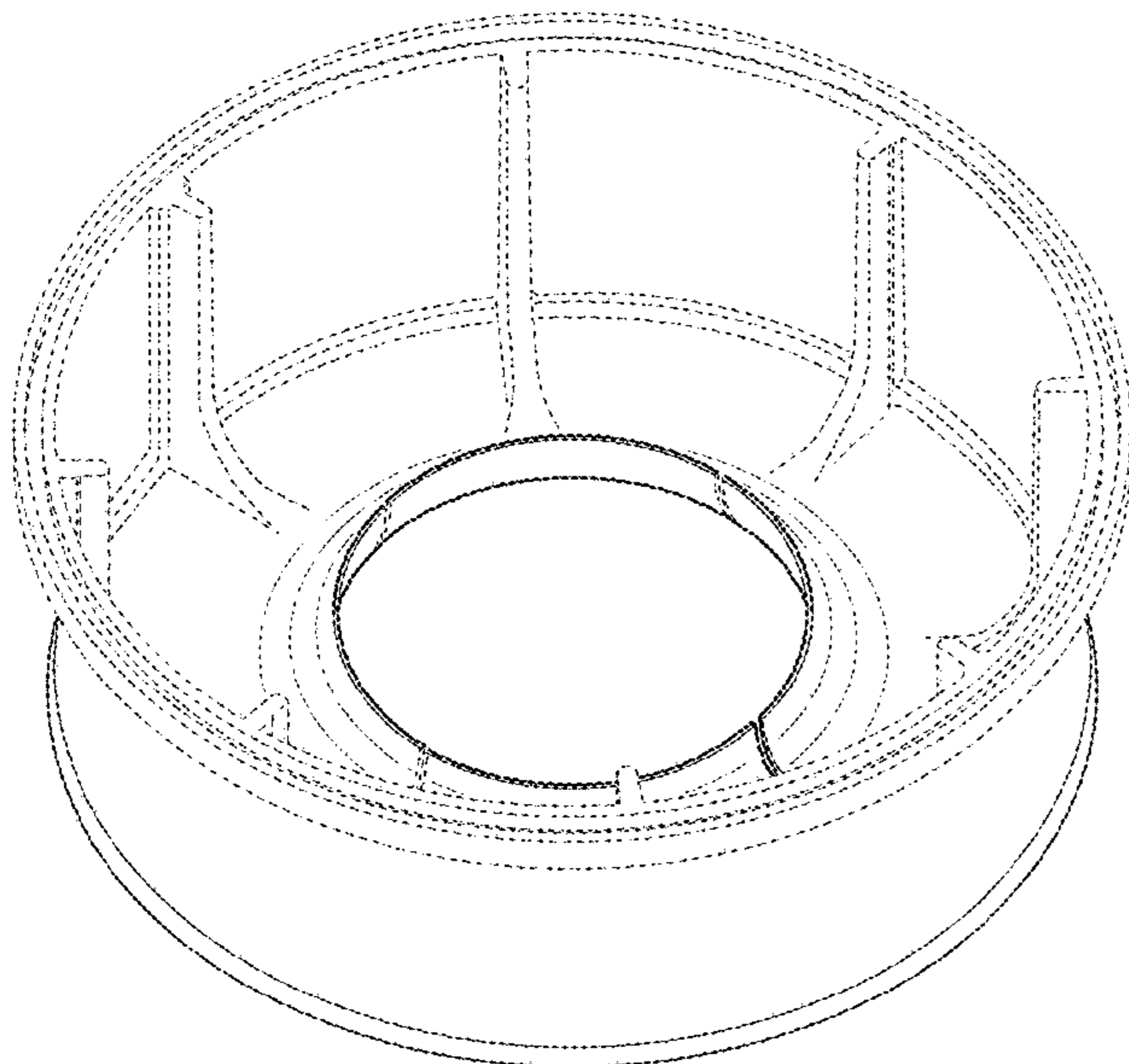
(57) **CLAIM**

The ornamental design for a sealing lip for a filter element,
as shown and described.

DESCRIPTION

FIG. 1 is a top perspective view of a sealing lip for a filter element;
FIG. 2 is a bottom perspective view of a sealing lip for a filter element;
FIG. 3 is a front view of a sealing lip for a filter element;
FIG. 4 is a top view of a sealing lip for a filter element; and,
FIG. 5 is a bottom view of a sealing lip for a filter element.
The broken lines depict portions of the sealing lip for a filter element that form no part of the claim.

1 Claim, 4 Drawing Sheets



(56)

References Cited

U.S. PATENT DOCUMENTS

D790,660 S * 6/2017 Zhadanov F23G 5/20
D23/209
D796,014 S * 8/2017 Haynes F16J 15/3284
D23/269
D841,784 S * 2/2019 Sharratt F16J 15/3284
D23/269
D898,879 S * 10/2020 Kalb F01D 11/001
D8/382
D930,112 S * 9/2021 Smith F02B 23/0696
D23/209
D945,558 S * 3/2022 Yu F16J 15/3284
D23/209
2007/0251875 A1* 11/2007 Koch F02B 23/0696
210/243
2010/0148449 A1* 6/2010 Gaebler F01D 11/001
277/412
2018/0161710 A1 6/2018 Kollmann et al.

FOREIGN PATENT DOCUMENTS

DE 19904981 A1 8/2000
DE 102008011616 A1 9/2008
DE 102009024699 A1 12/2010
DE 102012000876 C5 10/2014
WO WO-0110533 A1 2/2001
WO WO-2005123216 A1 12/2005

OTHER PUBLICATIONS

English abstract for DE-3903675-A1.
English abstract for DE-102009024699-A1.
English abstract for DE-19904981-A1.
English abstract for DE-102008011616-A1.

* cited by examiner

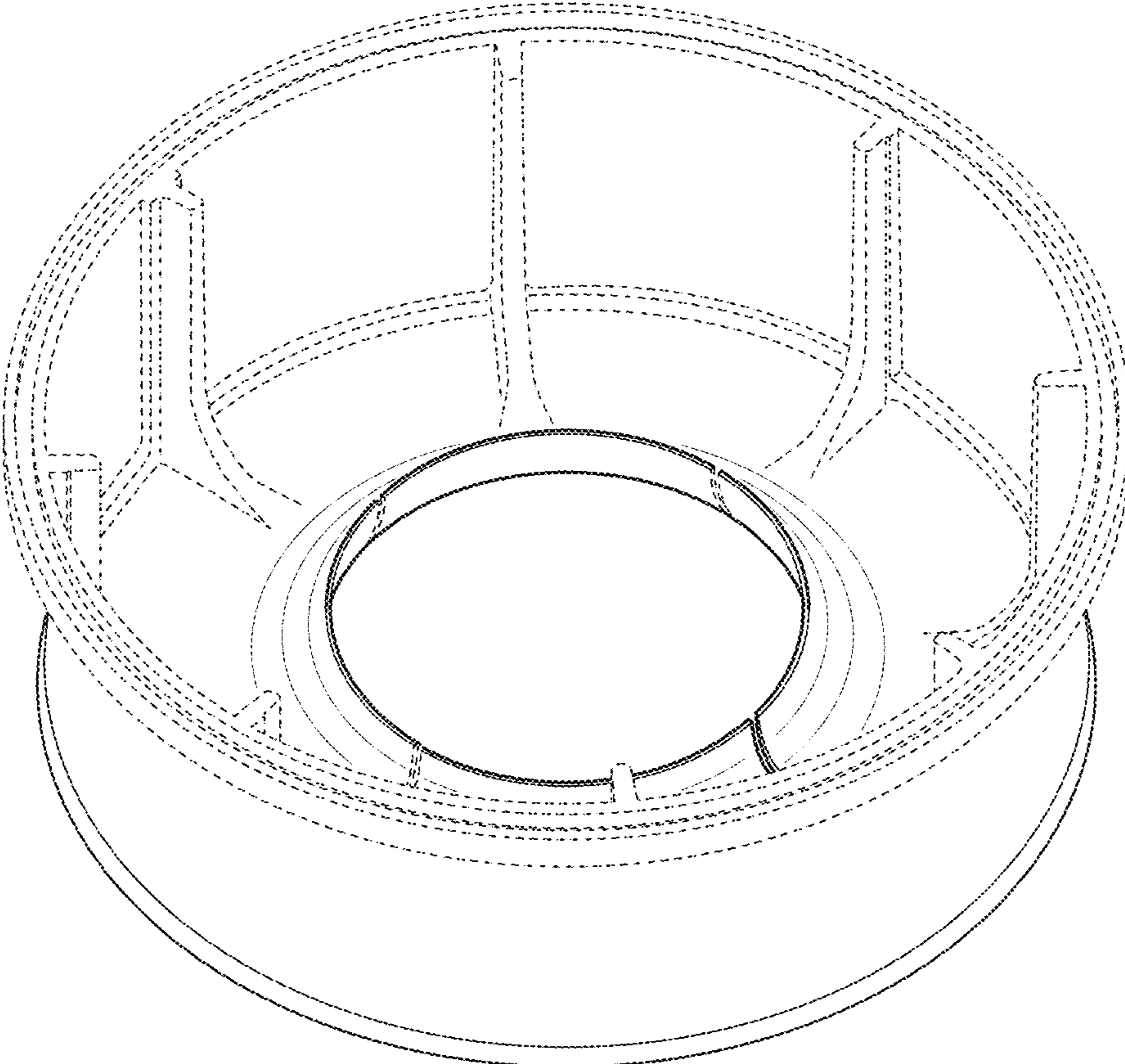


FIG. 1

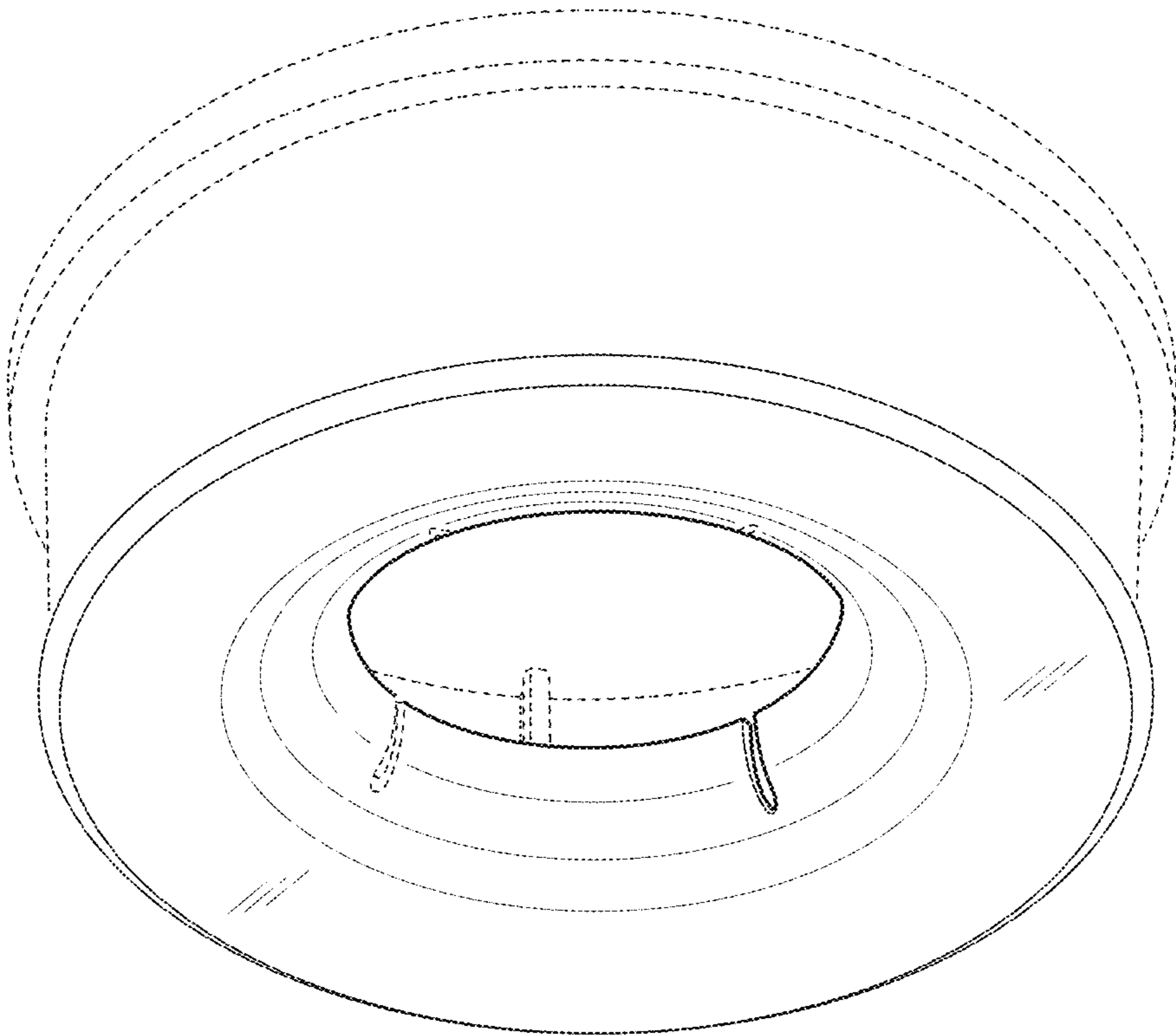


FIG. 2

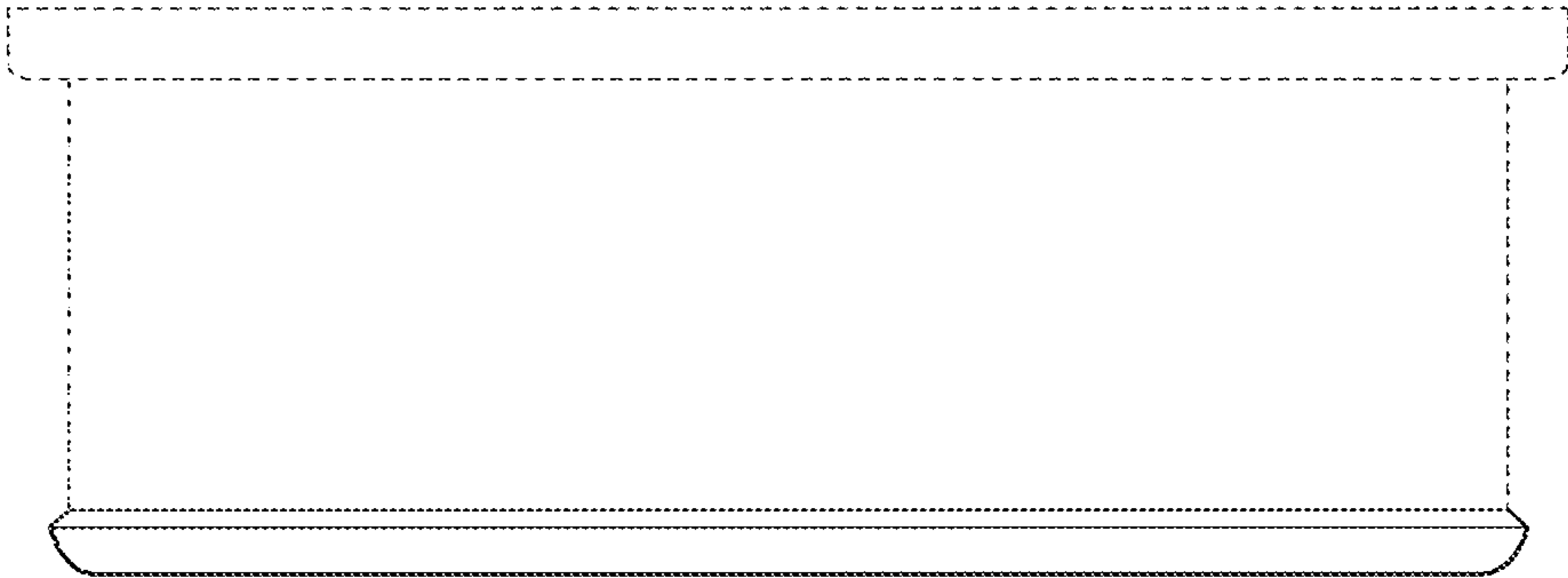


FIG. 3

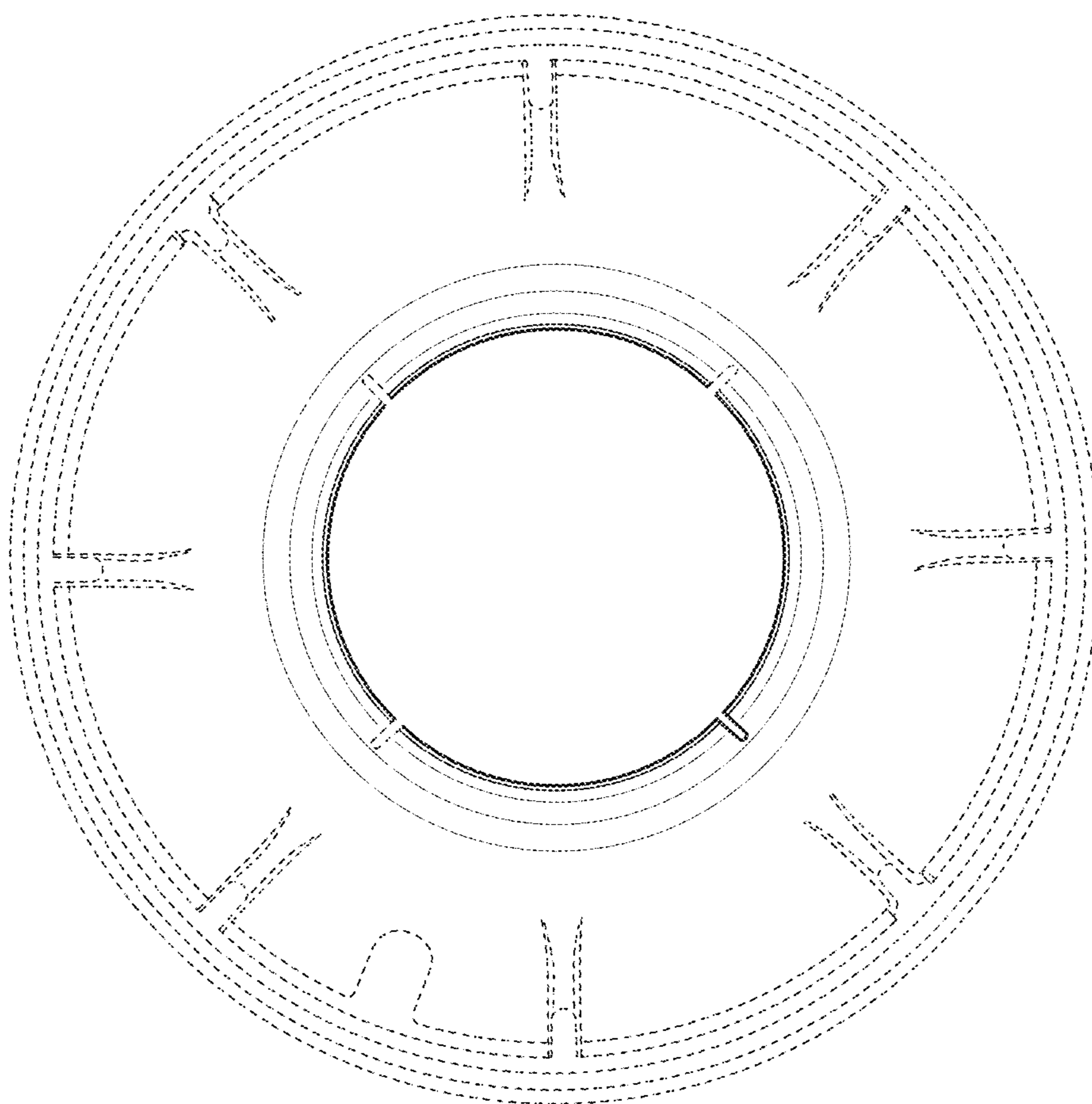


FIG. 4

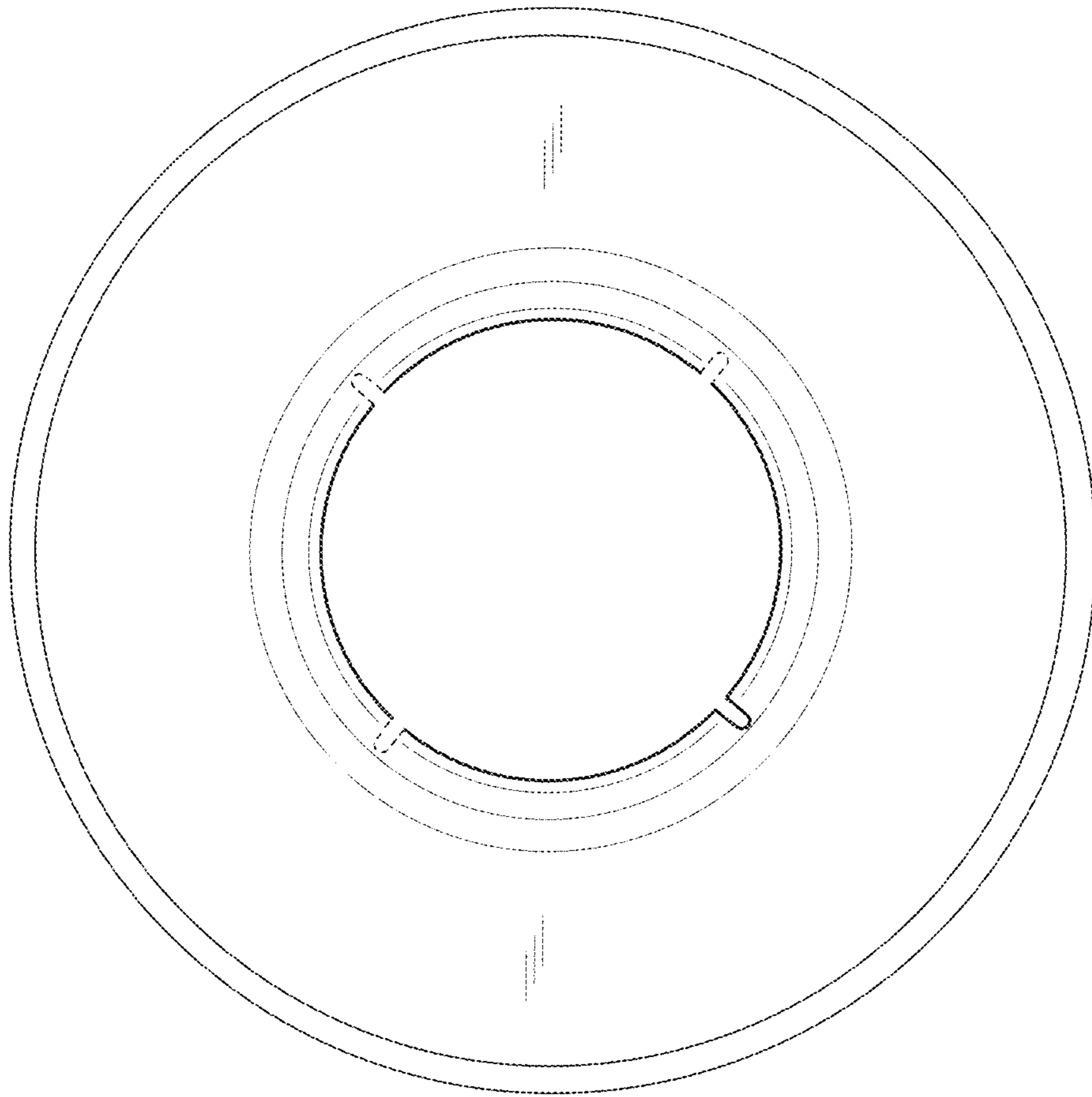


FIG. 5