



US00D989223S

(12) **United States Design Patent** (10) **Patent No.:** **US D989,223 S**
Liu (45) **Date of Patent:** **** Jun. 13, 2023**

(54) **MOSQUITO KILLER**

8,109,036 B1 * 2/2012 Wilbanks A01M 1/223
43/112

(71) Applicant: **Yan Liu**, Meishan (CN)

D868,932 S * 12/2019 Zhu D22/123
D917,008 S * 4/2021 Qiu D22/123

(72) Inventor: **Yan Liu**, Meishan (CN)

(Continued)

(**) Term: **15 Years**

FOREIGN PATENT DOCUMENTS

(21) Appl. No.: **29/805,841**

CN 202030074267.1 * 3/2020
CN 202130473701.8 * 7/2021
CN 202230080996.7 * 2/2022

(22) Filed: **Aug. 31, 2021**

(30) **Foreign Application Priority Data**

OTHER PUBLICATIONS

Aug. 4, 2021 (CN) 202130501055.1

Helps A Lot, posted Jun. 23, 2022 [online], [retrieved Oct. 28, 2022]. Retrieved from internet, <https://www.youtube.com/watch?v=RuCvjewDjRc> (Date:2022) (Year: 2022).*

(51) **LOC (14) Cl.** **22-05**

(Continued)

(52) **U.S. Cl.**

USPC **D22/123**

(58) **Field of Classification Search**

USPC D22/138-139, 122-124; D21/725, 729,
D21/731; D3/1-3; D30/127-128;
D23/370; D26/37, 40, 41

Primary Examiner — Christian P. McLean
Assistant Examiner — Kristopher Michael Blechschmidt
(74) *Attorney, Agent, or Firm* — Bayramoglu Law Offices LLC

CPC A01M 1/023; A01M 1/223; A01M 1/106;
A01M 2200/012; A01M 29/12; A01M
29/16; A01M 29/34; A01M 29/28; A01M
31/008; A01M 1/145; A01M 1/026;
A01M 1/2011; A01M 29/00; A01M 1/08;
A01M 1/04; A01M 3/00; A01M 3/02;
A01M 3/025; A01M 1/02; A01M 1/10;
A01M 1/14; A01M 1/2016; A01M
2200/01; A01M 2200/011; A63B 49/00;
A63B 59/80; A63B 60/06; A63B 60/08;
A63B 60/10; A63B 60/16; C25B 11/043;
C25B 9/17; Y02A 50/30; Y02A 50/371;
B08B 1/005; F21V 21/0824; F21W
2131/109; B65D 43/14; B65D 43/26;
B65D 43/06; B65D 43/32

See application file for complete search history.

(57) **CLAIM**

The ornamental design for a mosquito killer, as shown and described.

DESCRIPTION

FIG. 1 is a perspective view of a mosquito killer showing my new design;
FIG. 2 is a front view thereof;
FIG. 3 is a rear view thereof;
FIG. 4 is a left side view thereof;
FIG. 5 is a right side view thereof;
FIG. 6 is a top view thereof; and,
FIG. 7 is a bottom view thereof.

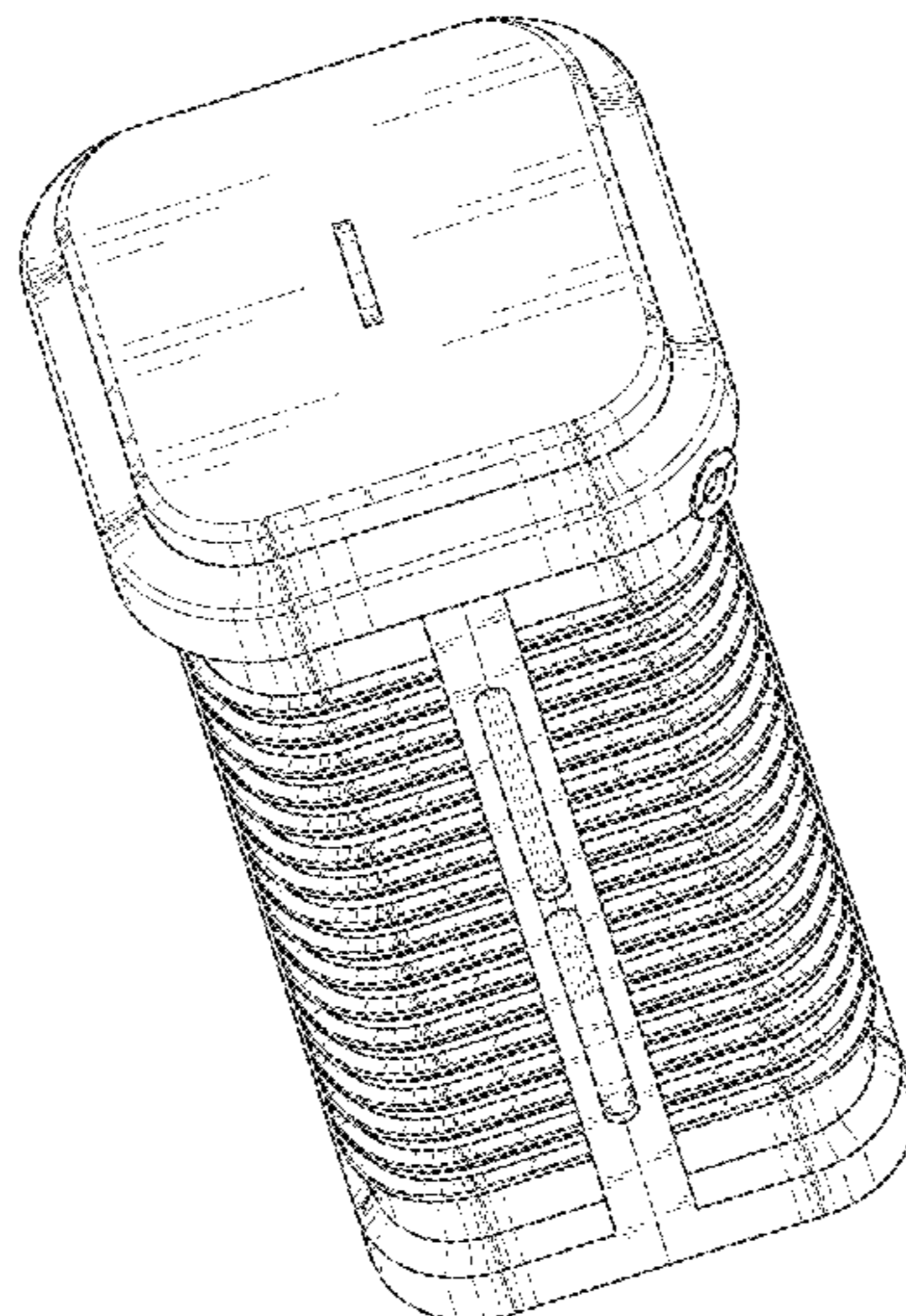
The broken lines depict portions of the mosquito killer in which the design is embodied that form no part of the claimed design.

(56) **References Cited**

U.S. PATENT DOCUMENTS

D271,612 S * 11/1983 Minick D22/123
D282,954 S * 3/1986 Ganor D22/123

1 Claim, 7 Drawing Sheets



(56)

References Cited

U.S. PATENT DOCUMENTS

D931,973 S * 9/2021 Lu D22/123
D935,081 S * 11/2021 Peng D26/41
D938,565 S * 12/2021 Yang D23/364
D950,002 S * 4/2022 Luo D22/123
D963,787 S * 9/2022 Wang D22/123
D966,487 S * 10/2022 Li D23/370
2006/0021274 A1 * 2/2006 Chen A01M 1/023
43/107
2022/0110308 A1 * 4/2022 Sabic A01M 1/04

OTHER PUBLICATIONS

Homesuit Bug Zapper, posted Mar. 8, 2022[online], [retrieved Oct. 28, 2022]. Retrieved from internet, https://www.amazon.ca/Homesuit-Electric-Mosquito-Waterproof-Electronic/dp/B09M9R2PVJ/ref=sr_1_53?crid=undefined&th=1 (Date:2022) (Year: 2022).*

Homesuit Bug Zapper—Review posted Apr. 5, 2022 [online], [retrieved Oct. 28, 2022]. Retrieved from internet, <https://www.youtube.com/watch?v=5--Qyv5oDd0> (Date:2022) (Year: 2022).*

Gardenary Bug Zapper!, posted Apr. 25, 2022 [online], [retrieved Oct. 28, 2022]. Retrieved from internet, <https://www.youtube.com/watch?v=RuCvjewDjRc>(Date:2022) (Year: 2022).*

* cited by examiner

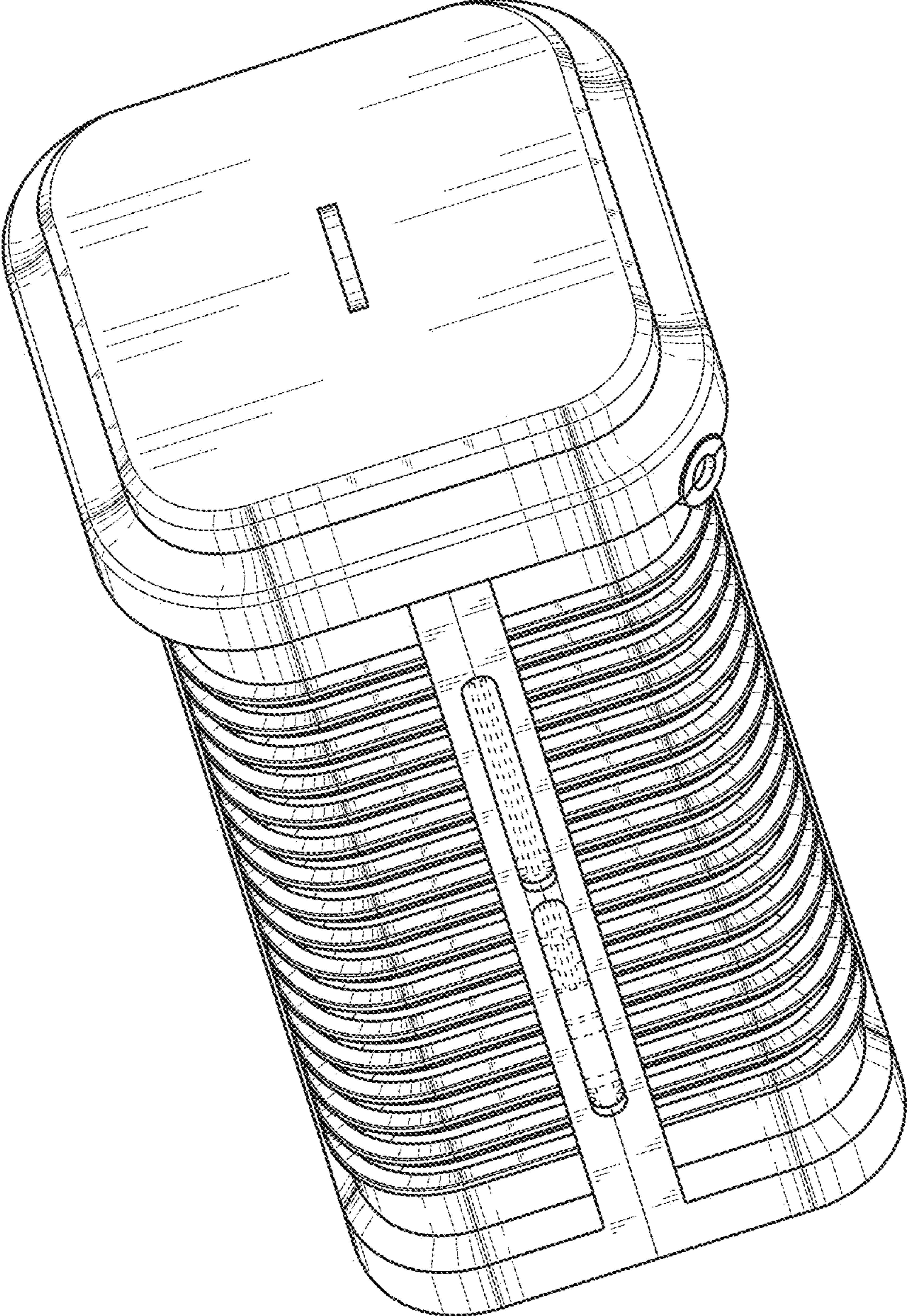


Fig. 1

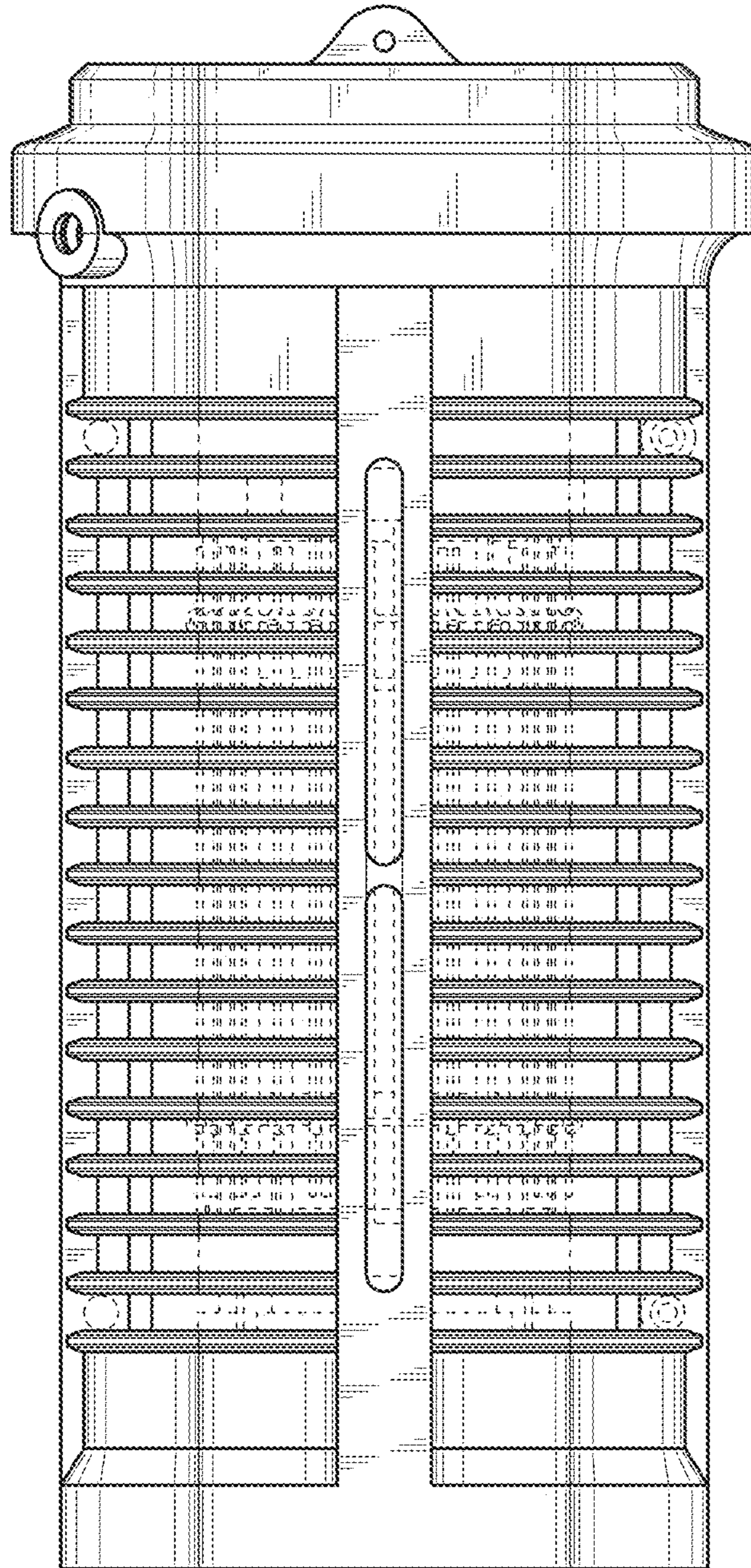


Fig. 2

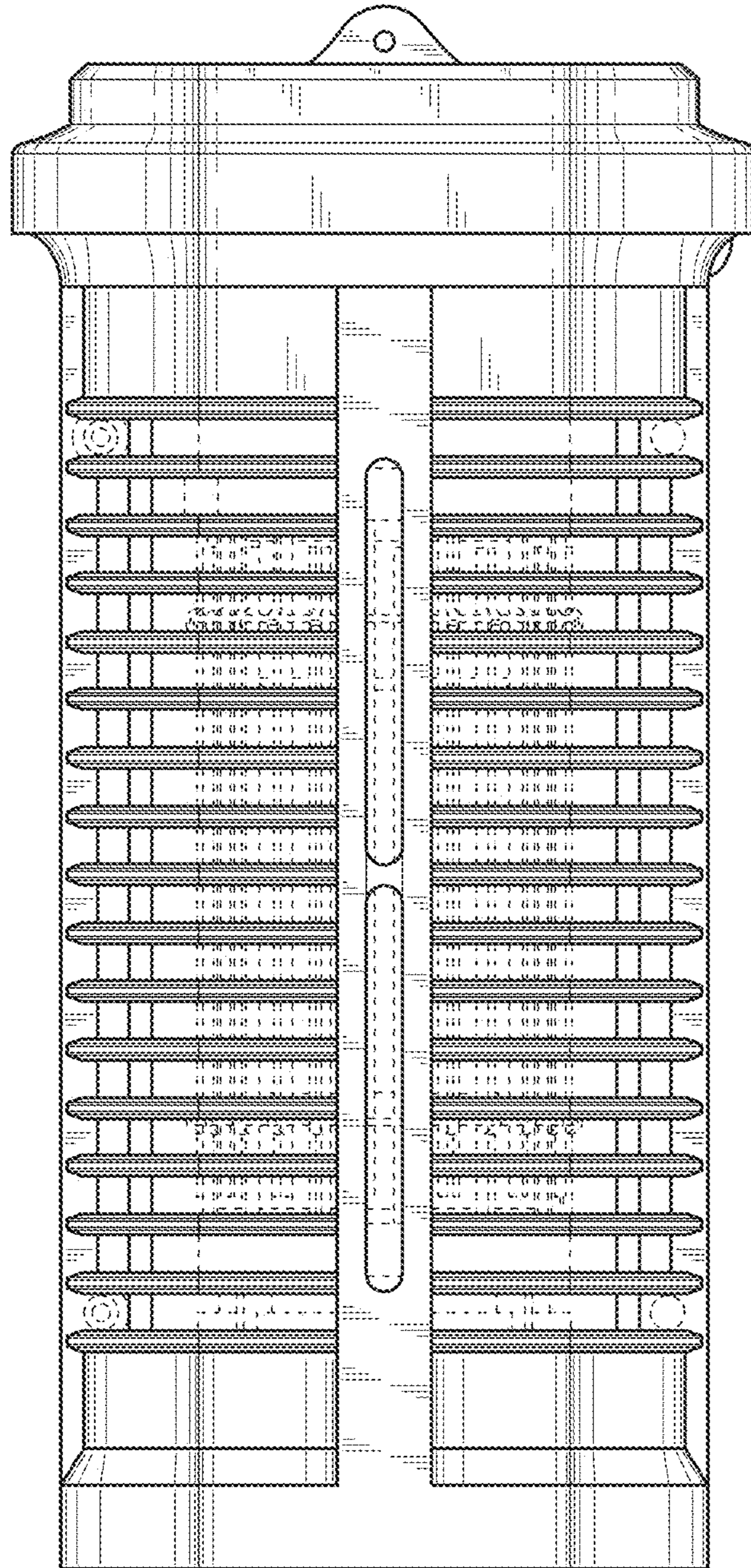


Fig. 3

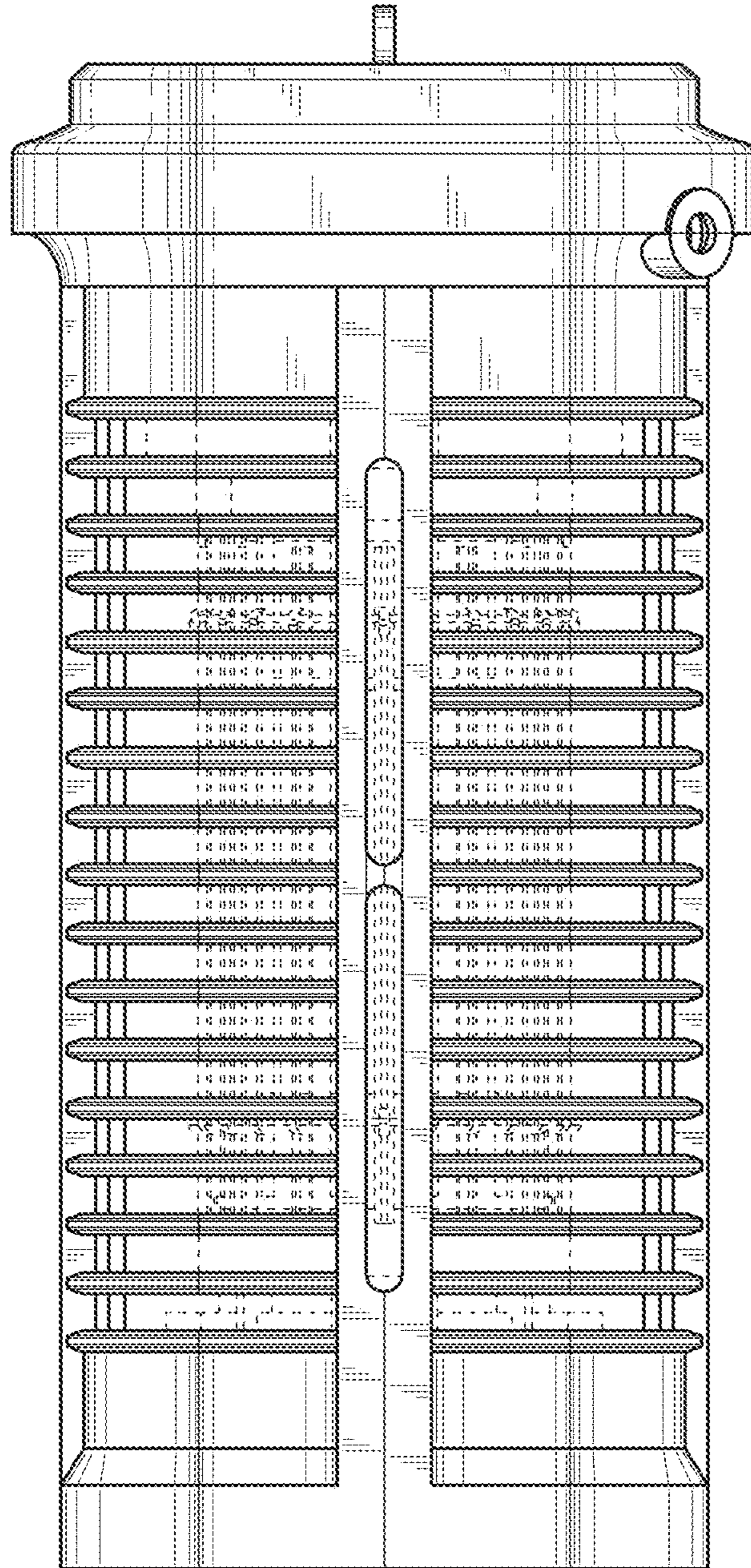


Fig. 4

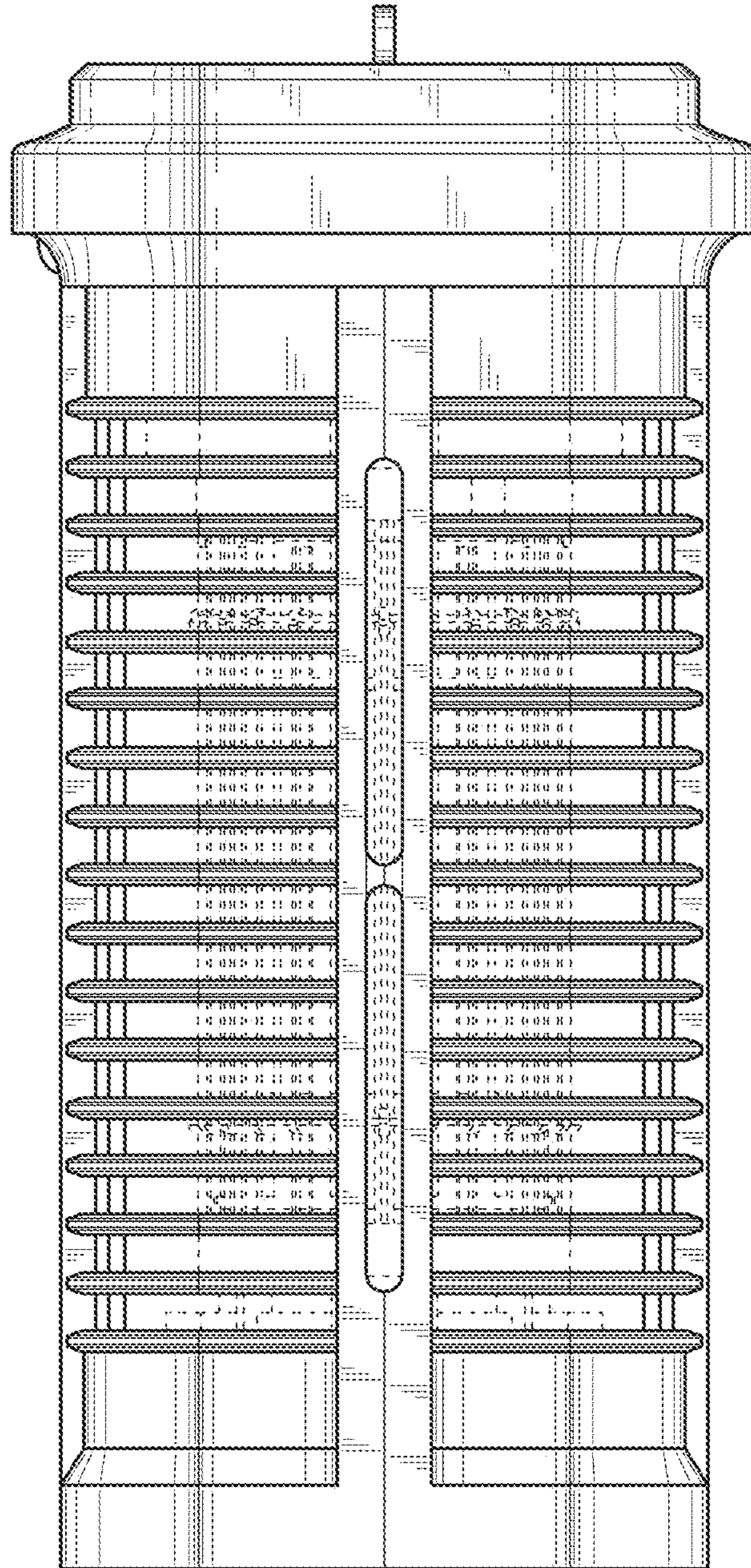


Fig. 5

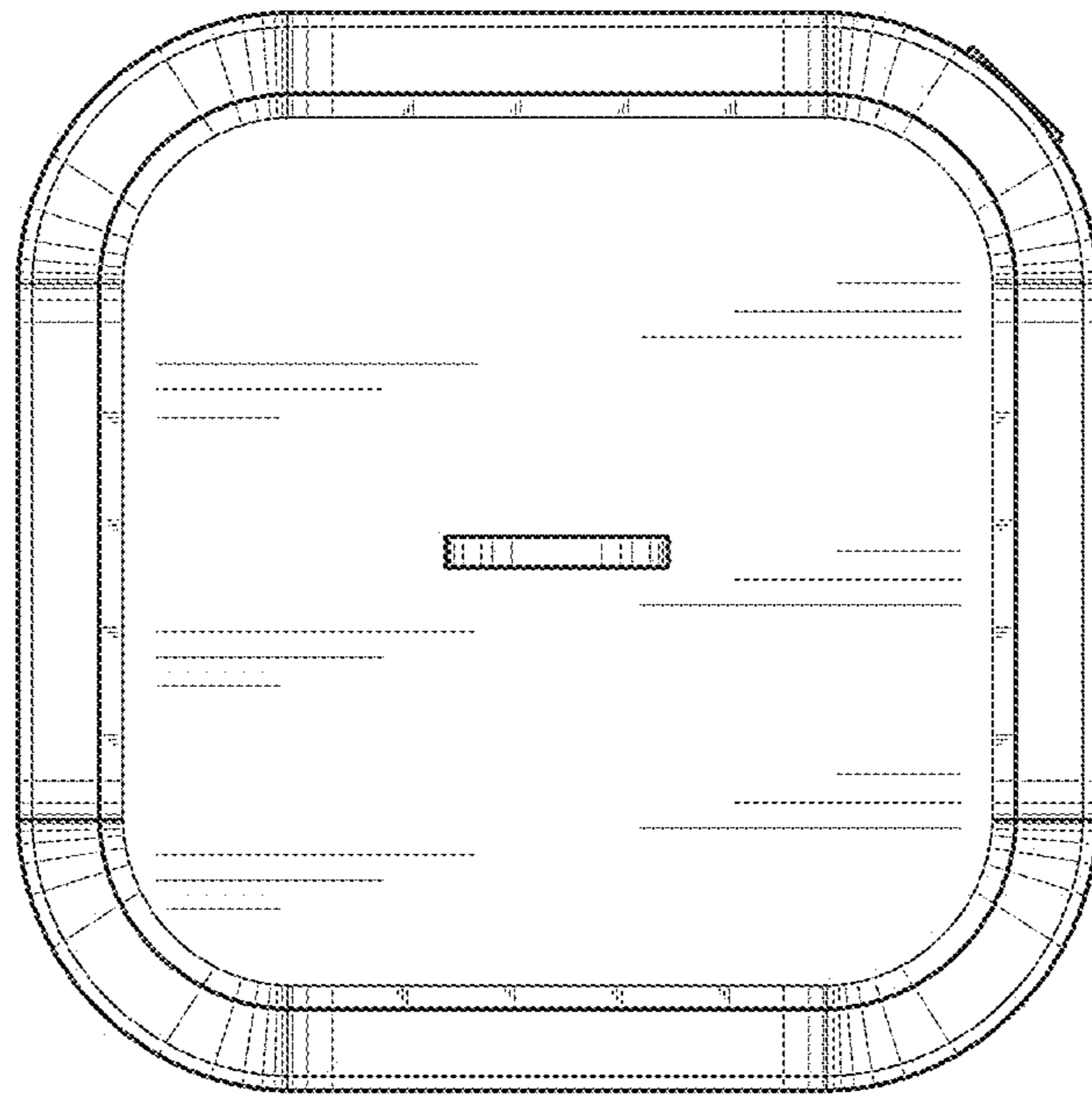


Fig. 6

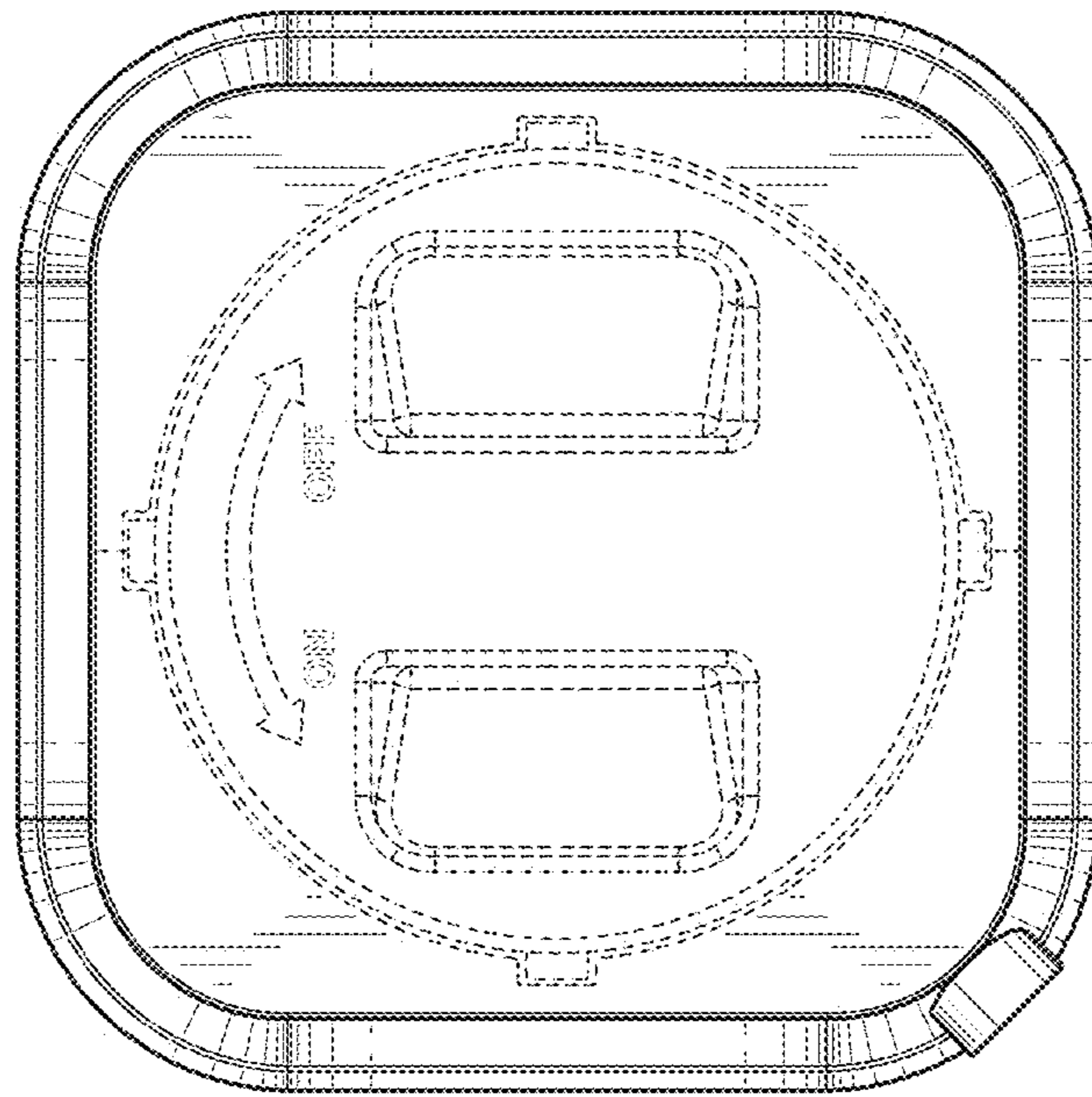


Fig. 7