



US00D989220S

(12) **United States Design Patent** (10) **Patent No.:** **US D989,220 S**  
**Ao** (45) **Date of Patent:** **\*\* Jun. 13, 2023**

(54) **OPTICS COVER**

(71) Applicant: **Jinbao Ao, Yangjiang (CN)**

(72) Inventor: **Jinbao Ao, Yangjiang (CN)**

(\*\*) Term: **15 Years**

(21) Appl. No.: **29/887,465**

(22) Filed: **Mar. 21, 2023**

(51) **LOC (14) Cl.** ..... **22-01**

(52) **U.S. Cl.**

USPC ..... **D22/109; D22/108; D22/199**

(58) **Field of Classification Search**

USPC ..... **D21/567, 573, 575; D22/103, 105, 108, D22/109, 110, 199**

CPC ..... **F41A 35/00; F41C 23/16; F41C 27/22; F41C 33/007; F41C 27/00; F41G 11/003**

See application file for complete search history.

(56) **References Cited**

**U.S. PATENT DOCUMENTS**

D355,887 S *	2/1995	Rodeffer	.....	D13/110
D358,365 S *	5/1995	Rodeffer	.....	D13/110
D618,756 S *	6/2010	Kohler	.....	D22/109
D620,898 S *	8/2010	Wang	.....	G02B 6/4441
				D13/184
D620,899 S *	8/2010	Wang	.....	D13/184
D631,859 S *	2/2011	Wang	.....	D13/184
D739,828 S *	9/2015	Becker	.....	D13/159
D848,567 S *	5/2019	Soejima	.....	D22/109
10,563,955 B2 *	2/2020	Pniel	.....	F41G 1/16
11,313,647 B1 *	4/2022	Lee	.....	F41G 1/30
D963,780 S *	9/2022	McKelvain	.....	D22/109
2010/0083554 A1 *	4/2010	Elpedes	.....	F41G 1/30
				42/130
2014/0096431 A1 *	4/2014	Tang	.....	F41G 3/08
				42/111
2014/0109456 A1 *	4/2014	Jung	.....	F41G 1/30
				42/113
2015/0198415 A1 *	7/2015	Campean	.....	F41G 1/30
				42/137

2020/0232759 A1 *	7/2020	York	.....	F41G 1/30
2021/0262759 A1 *	8/2021	Sun	.....	F41G 1/345
2021/0318099 A1 *	10/2021	Holly	.....	F41G 11/002
2022/0026175 A1 *	1/2022	Chavez	.....	F41G 1/30
2022/0034629 A1 *	2/2022	Hamilton	.....	G02B 23/10
2022/0170718 A1 *	6/2022	Reese	.....	G02B 23/16
2022/0282953 A1 *	9/2022	Lee	.....	G02B 23/16

(Continued)

**OTHER PUBLICATIONS**

Protective Scope Cover for Holosun, Amazon Online Product Page. Earliest Publication Date: Nov. 5, 2022. Date Accessed: Apr. 19, 2023. Retrieved from Internet URL: <https://www.amazon.com/dp/B0BH8KBV6C> (Year: 2022).\*

(Continued)

*Primary Examiner* — S. Bryan Reinholdt, Jr.

*Assistant Examiner* — Kaitlan Walker

(74) *Attorney, Agent, or Firm* — Daniel M. Cohn; Howard M. Cohn

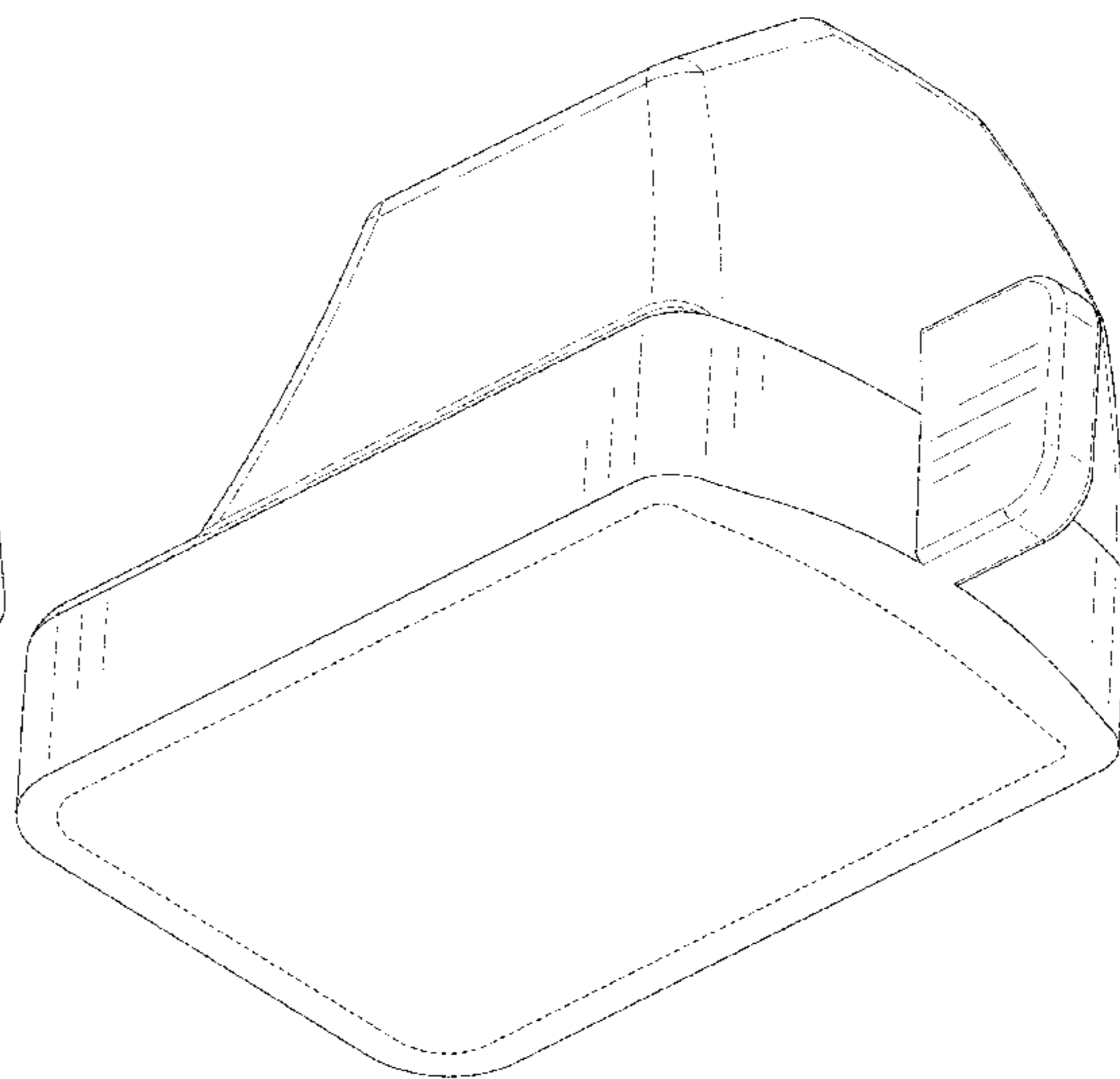
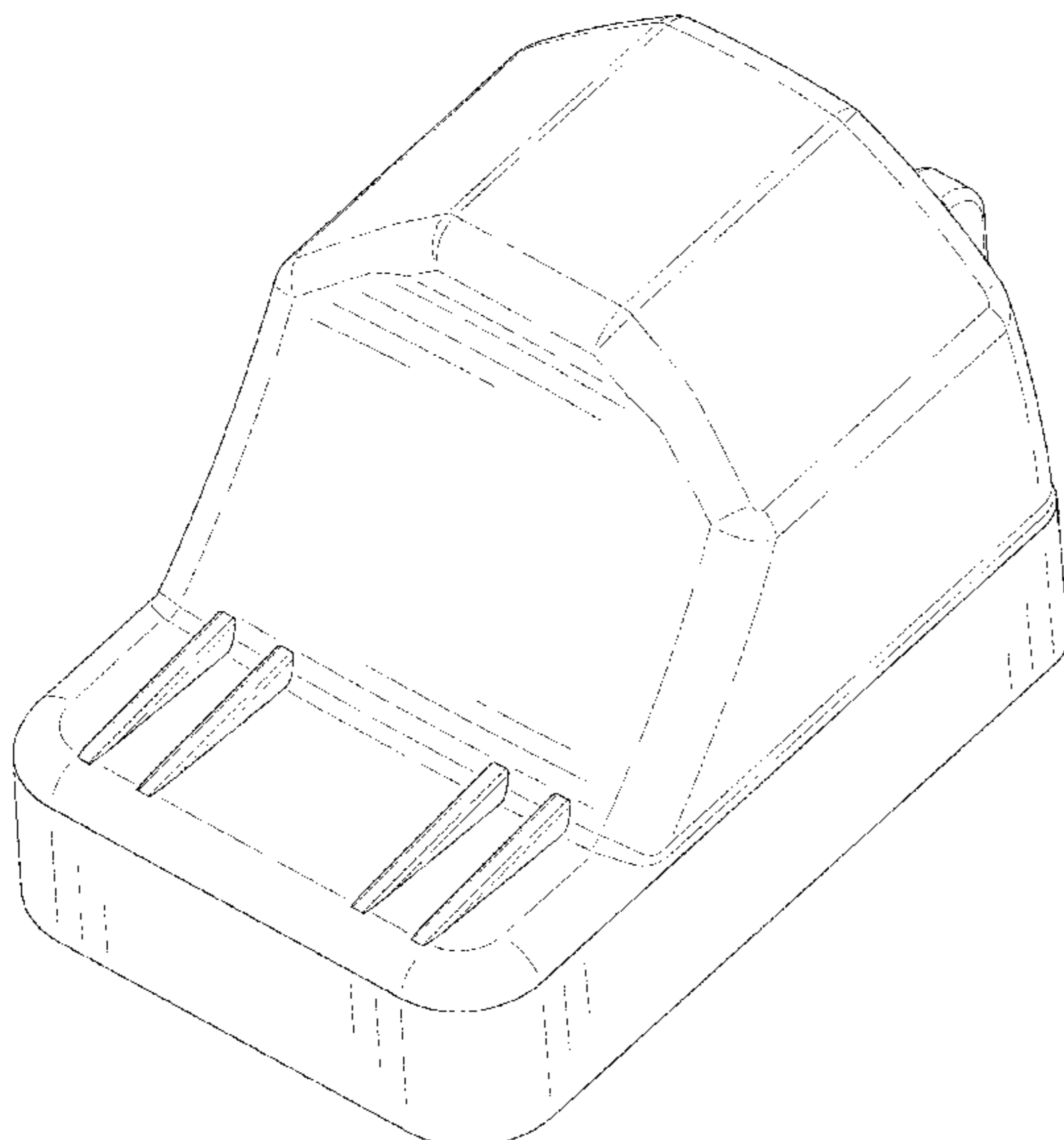
(57) **CLAIM**

The ornamental design for an optics cove, as shown and described.

**DESCRIPTION**

FIG. 1 is a perspective view of an optics cover, showing my new design;  
FIG. 2 is another perspective view thereof;  
FIG. 3 is a front view thereof;  
FIG. 4 is a rear view thereof;  
FIG. 5 is a left side view thereof;  
FIG. 6 is a right side view thereof;  
FIG. 7 is a top plan view thereof; and,  
FIG. 8 is a bottom plan view thereof.  
The broken lines in the drawings depict portions of the optics cover that form no part of the claimed design.

**1 Claim, 8 Drawing Sheets**



(56)

**References Cited**

U.S. PATENT DOCUMENTS

2022/0390207 A1\* 12/2022 Chavez ..... F41G 1/30  
2022/0397372 A1\* 12/2022 Brewster ..... G02B 7/14

OTHER PUBLICATIONS

Scope Cover for Holosun, Amazon Online Product Page. Earliest Publication Date: Aug. 1, 2022. Date Accessed: Apr. 19, 2023. Retrieved from Internet URL: <https://www.amazon.com/dp/B0B88GRW75> (Year: 2022).\*

“Celehomer Protective Scope Cover for HoloSun 507C & 407C HS Red Dot, Case Holosun 507c x2 & Holosun 407c x2 Optics Cover 2 Pack”, First Available on Oct. 5, 2022. Published by the Inventor Jinbao Ao of the present application on an Amazon website link of <http://www.amazon.com/dp/B0BH8JQRQ5>.

\* cited by examiner

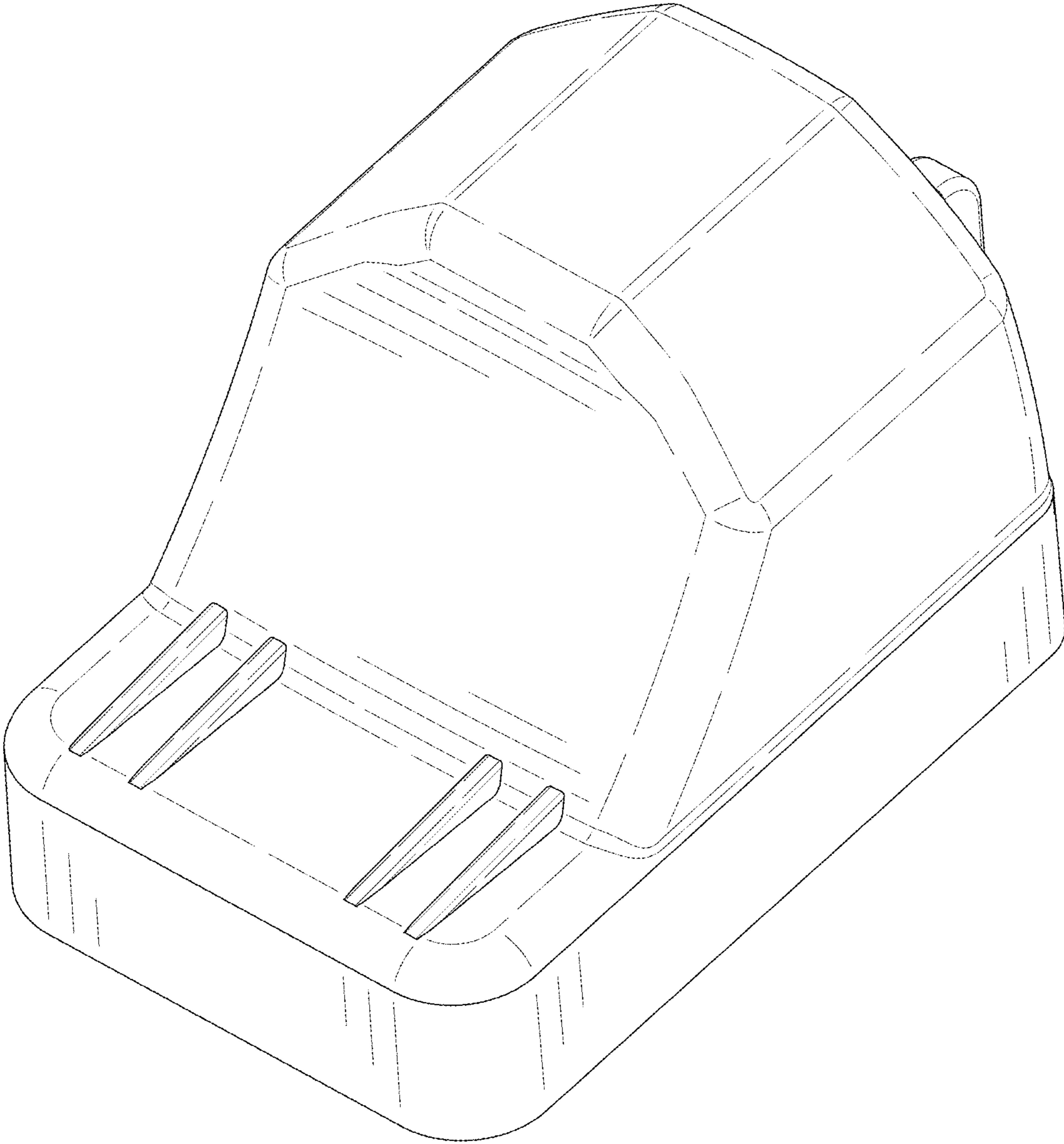


FIG. 1

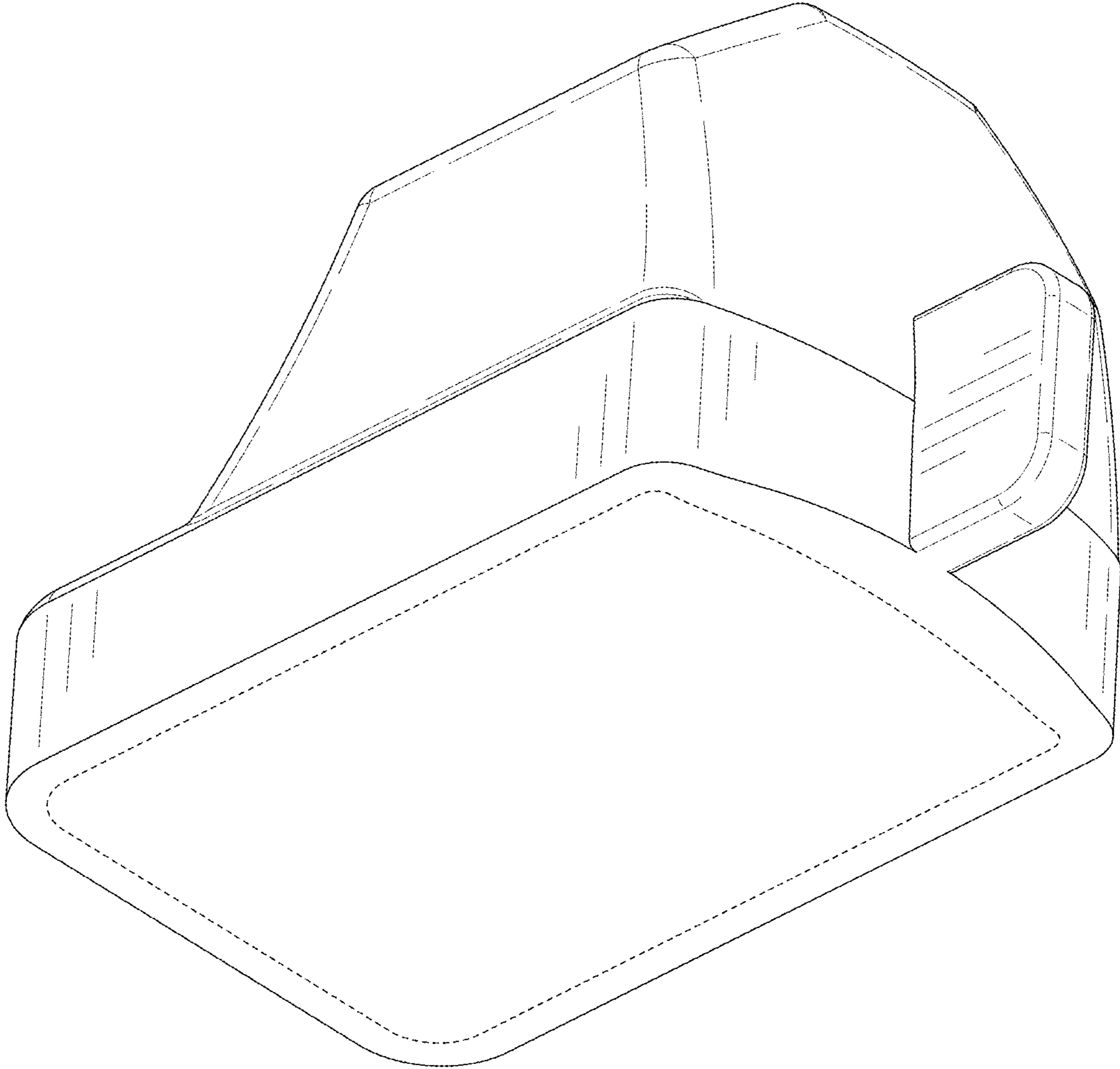


FIG. 2

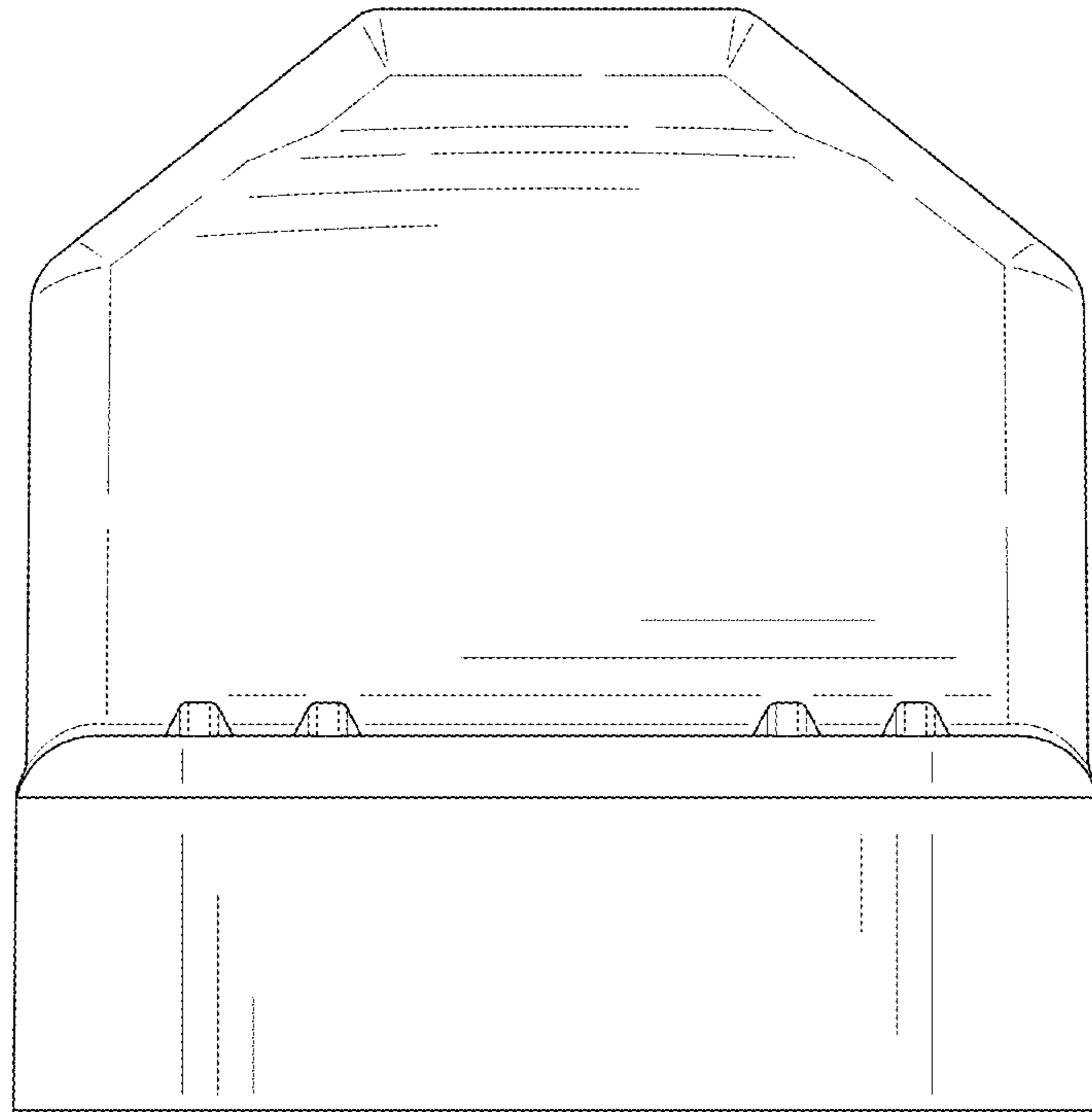


FIG. 3

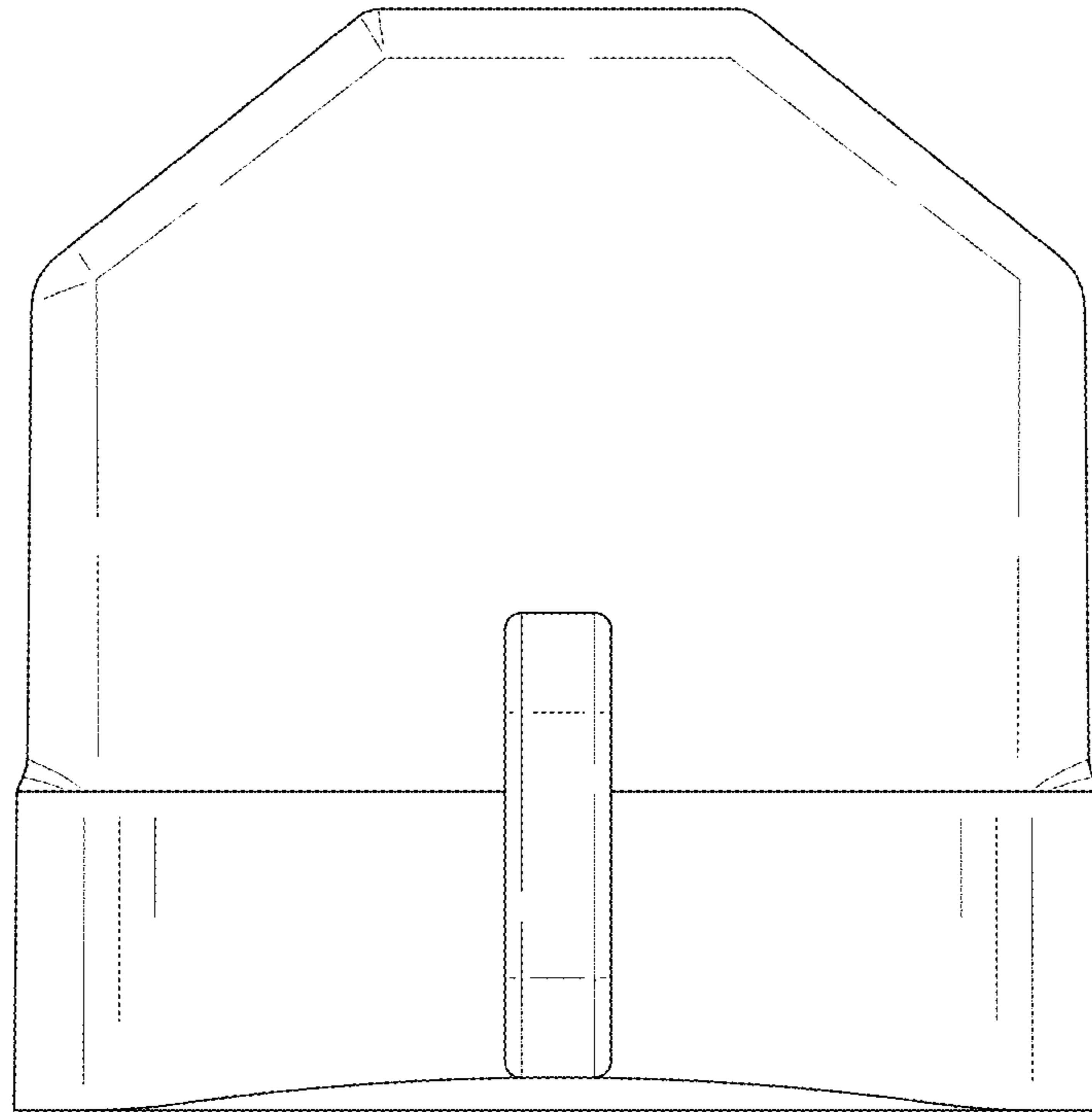


FIG. 4



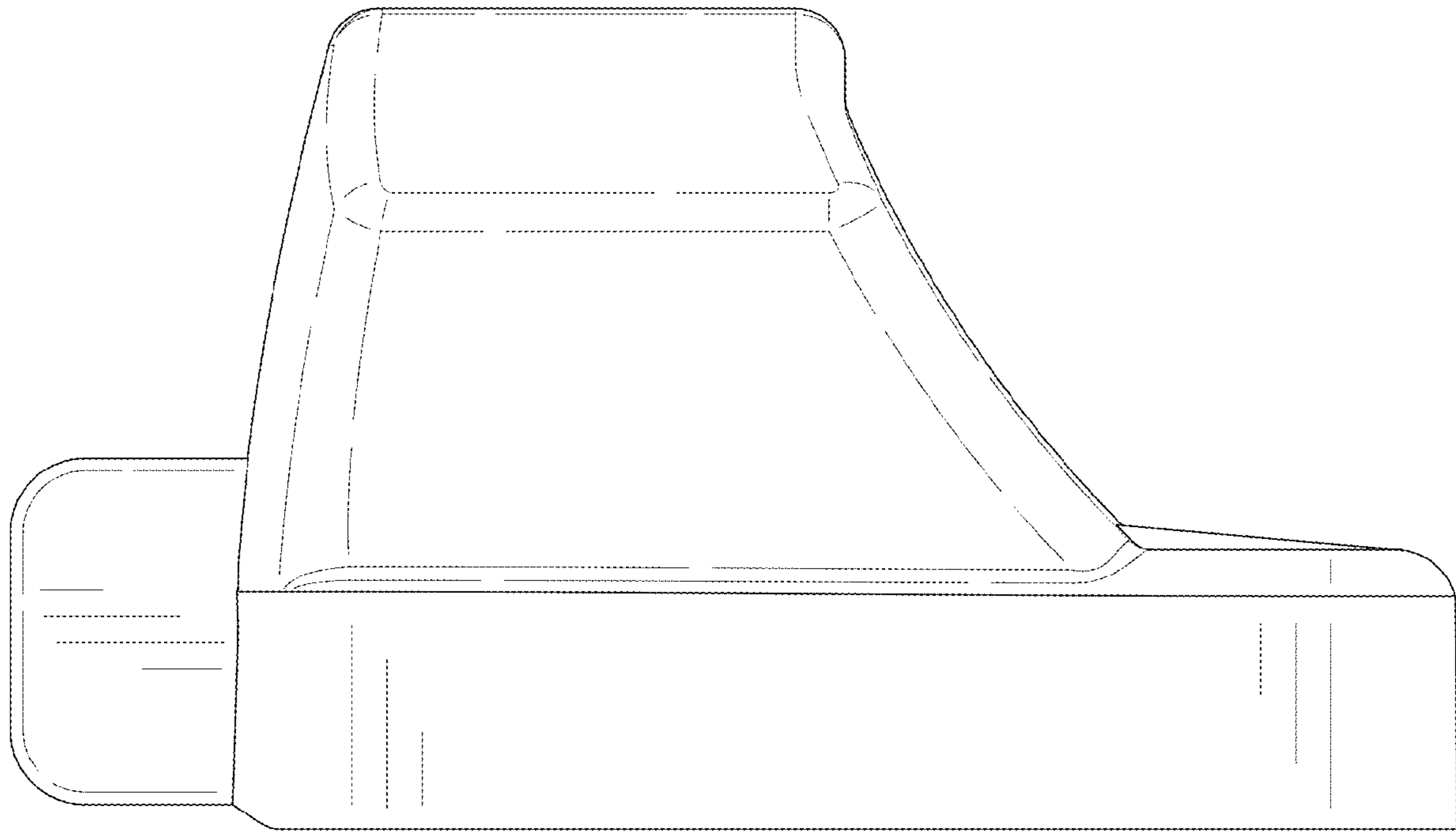


FIG. 5

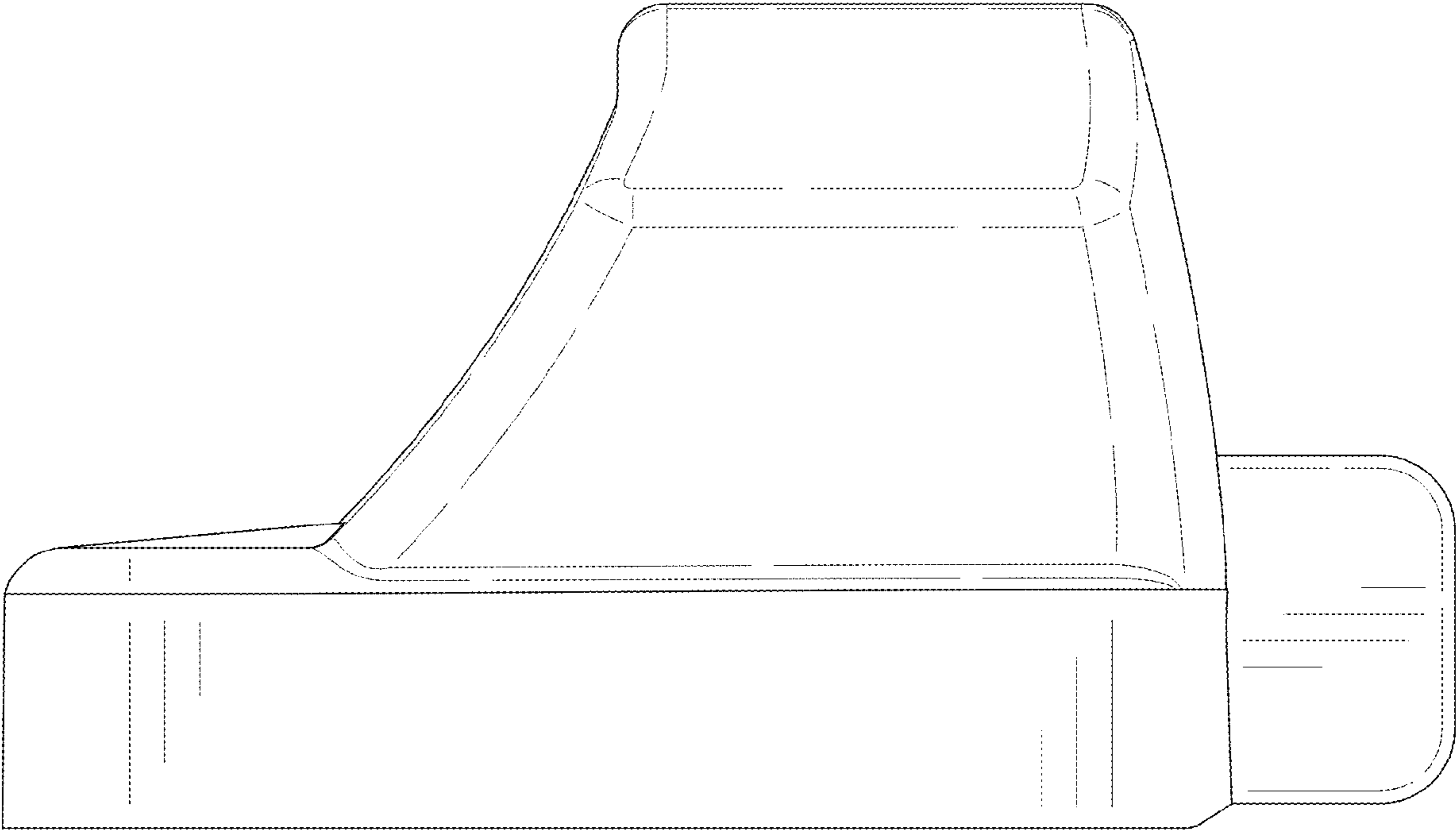


FIG. 6



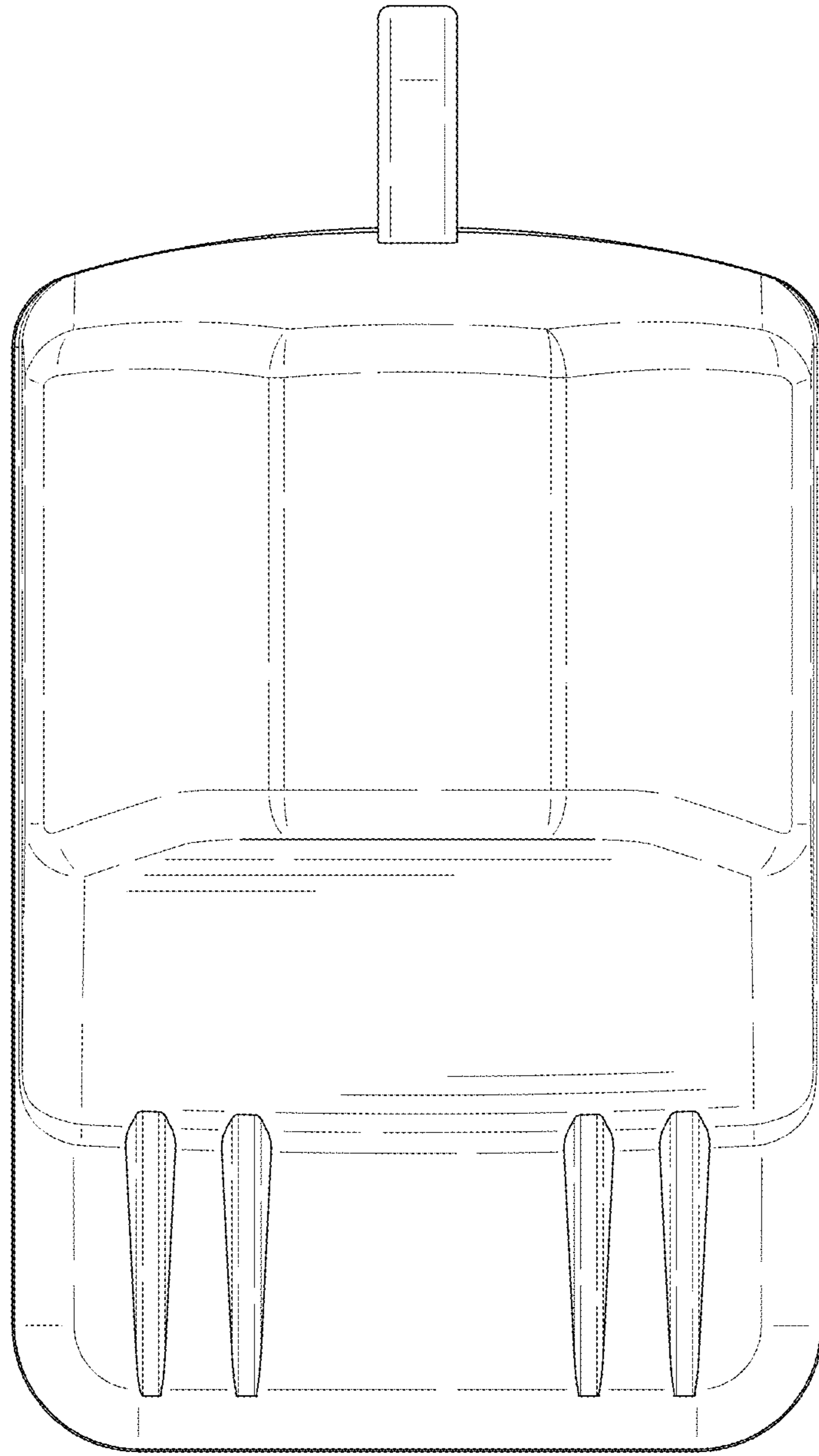


FIG. 7

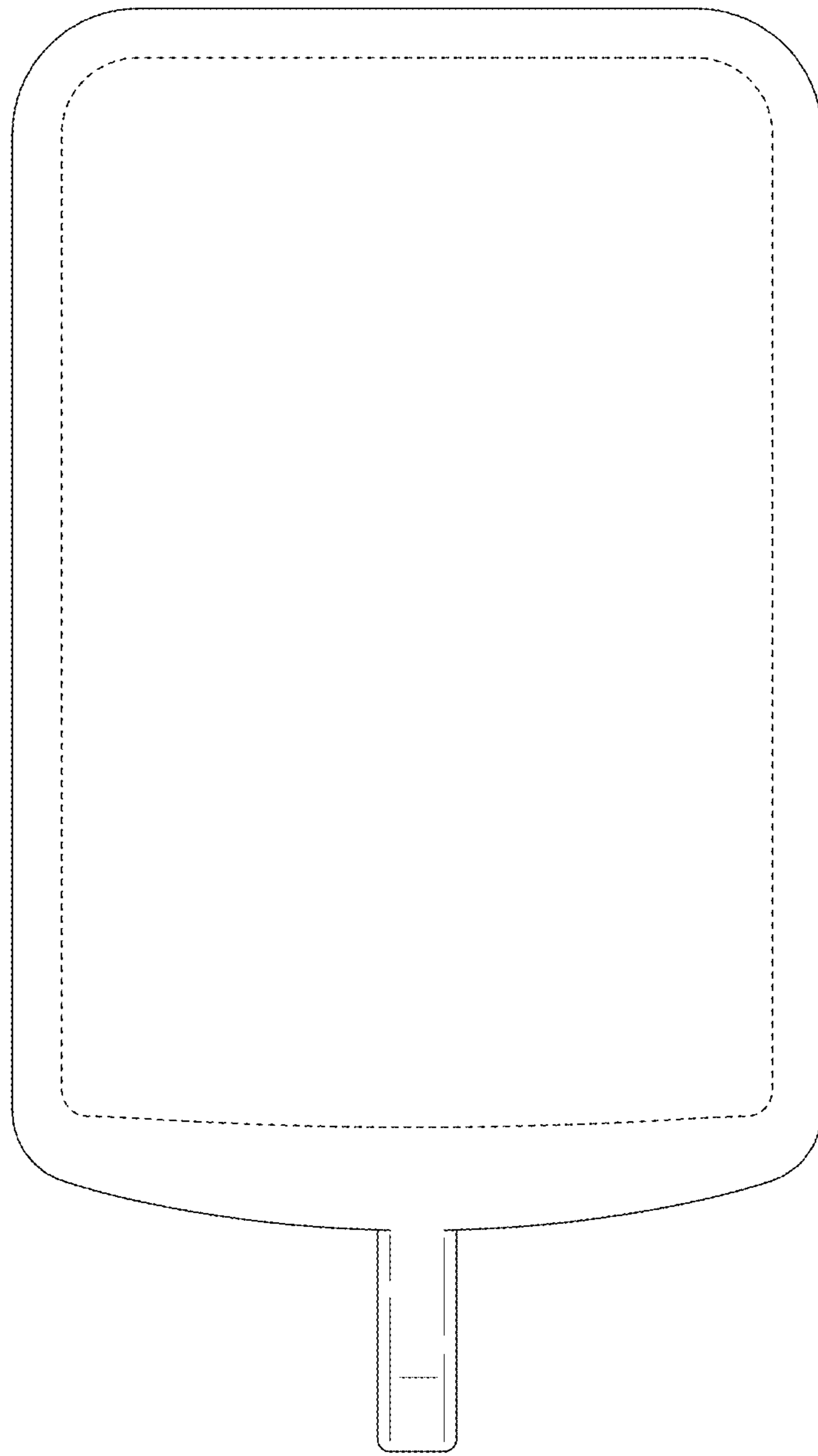


FIG. 8