



US00D989218S

(12) **United States Design Patent**
Cheng et al.

(10) **Patent No.:** **US D989,218 S**
(45) **Date of Patent:** **** Jun. 13, 2023**

- (54) **WISE BLOCK FOR A FIREARM**
- (71) Applicants: **Carson Cheng**, City of Industry, CA (US); **Michael Cheng**, City of Industry, CA (US); **Richard Thomas**, City of Industry, CA (US)
- (72) Inventors: **Carson Cheng**, City of Industry, CA (US); **Michael Cheng**, City of Industry, CA (US); **Richard Thomas**, City of Industry, CA (US)
- (73) Assignee: **Nestar, Inc**, City of Industry, CA (US)
- (**) Term: **15 Years**

- D364,080 S * 11/1995 Weyrauch D8/74
- D375,538 S * 11/1996 Minneman D22/199
- D397,403 S * 8/1998 Zebbedies D22/100
- D406,629 S * 3/1999 Banfill D22/100
- D431,168 S * 9/2000 Katoh D8/71
- D471,248 S * 3/2003 Jacobs D22/108
- D516,402 S * 3/2006 Gates B60R 11/00
D8/71
- D519,183 S * 4/2006 Minneman D22/108
- D531,477 S * 11/2006 Aglassinger D8/71
- D543,604 S * 5/2007 Minneman D22/108
- 8,683,730 B1 * 4/2014 Moore F41A 23/16
42/94
- D762,278 S * 7/2016 Geissele D22/108
- D829,294 S * 9/2018 Cheng D22/108
- D849,443 S * 5/2019 Hurley D6/552

(Continued)

- (21) Appl. No.: **29/808,395**
- (22) Filed: **Sep. 19, 2021**
- (51) **LOC (14) Cl.** **22-01**
- (52) **U.S. Cl.**
USPC **D22/108; D8/74**
- (58) **Field of Classification Search**
USPC D22/108, 109, 110, 199; D8/71, 74;
D6/552
CPC F41G 1/16; F41G 1/02; F41G 1/06; F41G
1/14; F41G 1/40; F41G 11/003
See application file for complete search history.

OTHER PUBLICATIONS

“Vism VTARLWRVB AR15 lower vise block” [online]. NcSTAR. [Published on Mar. 10, 2022]. Retrieved from the Internet: <<https://www.youtube.com/watch?v=PJT1YC4aVmo>>.*

Primary Examiner — Mojtaba Tehrani

(57) **CLAIM**

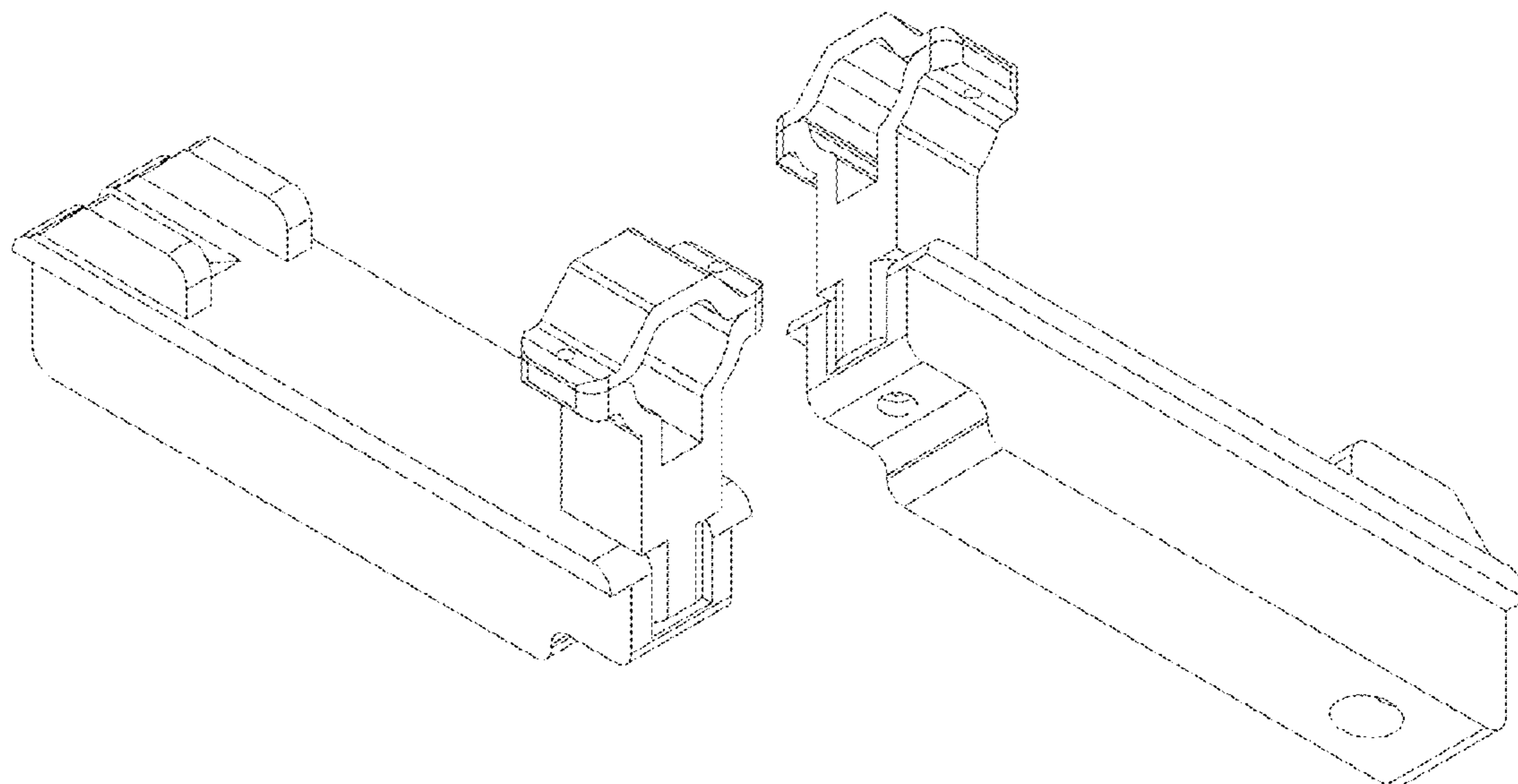
The ornamental design for a vise block for a firearm, as shown and described.

DESCRIPTION

FIG. 1 is a front view of the vise block of our new design; FIG. 2 is a rear view thereof; FIG. 3 is a left view thereof; FIG. 4 is a right view thereof; FIG. 5 is a top view thereof; FIG. 6 is a bottom view thereof; FIG. 7 is a top front left perspective view thereof; FIG. 8 is a bottom front right perspective view thereof; FIG. 9 is a top rear left perspective view thereof; and, FIG. 10 is a bottom rear right perspective view thereof.

1 Claim, 10 Drawing Sheets

- (56) **References Cited**
U.S. PATENT DOCUMENTS
- D203,680 S * 2/1966 Allison D22/108
- 3,964,613 A * 6/1976 Anderson, Jr. F41A 29/00
312/902
- 4,449,314 A * 5/1984 Sorensen F41A 23/00
221/64
- 4,873,777 A * 10/1989 Southard A47B 81/005
211/64
- 4,998,944 A * 3/1991 Lund F41A 23/18
248/316.5
- D346,003 S * 4/1994 Anderson D22/199



(56)

References Cited

U.S. PATENT DOCUMENTS

D870,840 S * 12/2019 Cheng D22/108
D943,701 S * 2/2022 Palmeter D8/74
2018/0274884 A1* 9/2018 Hurley F41C 33/06

* cited by examiner

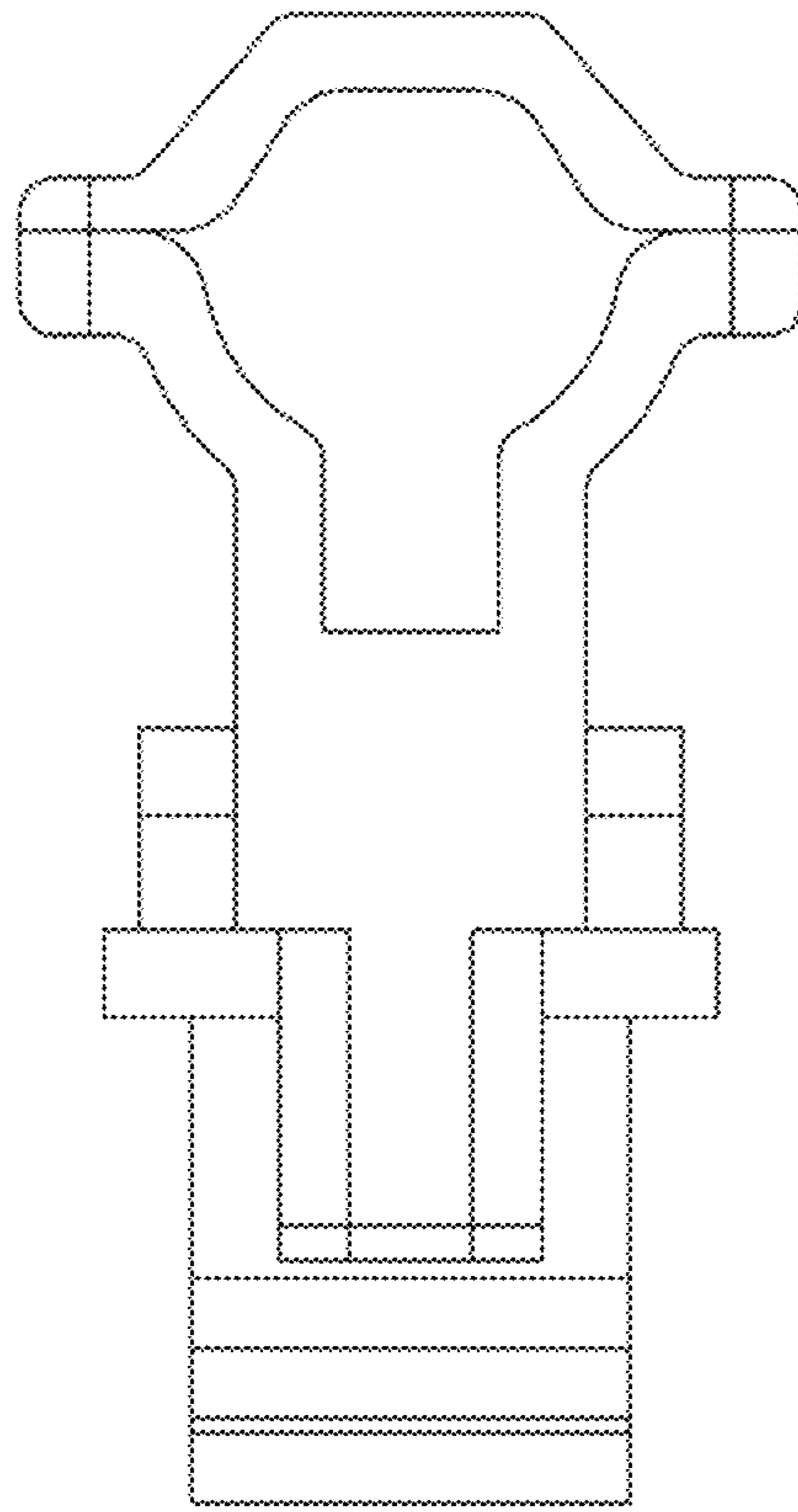


FIG. 1

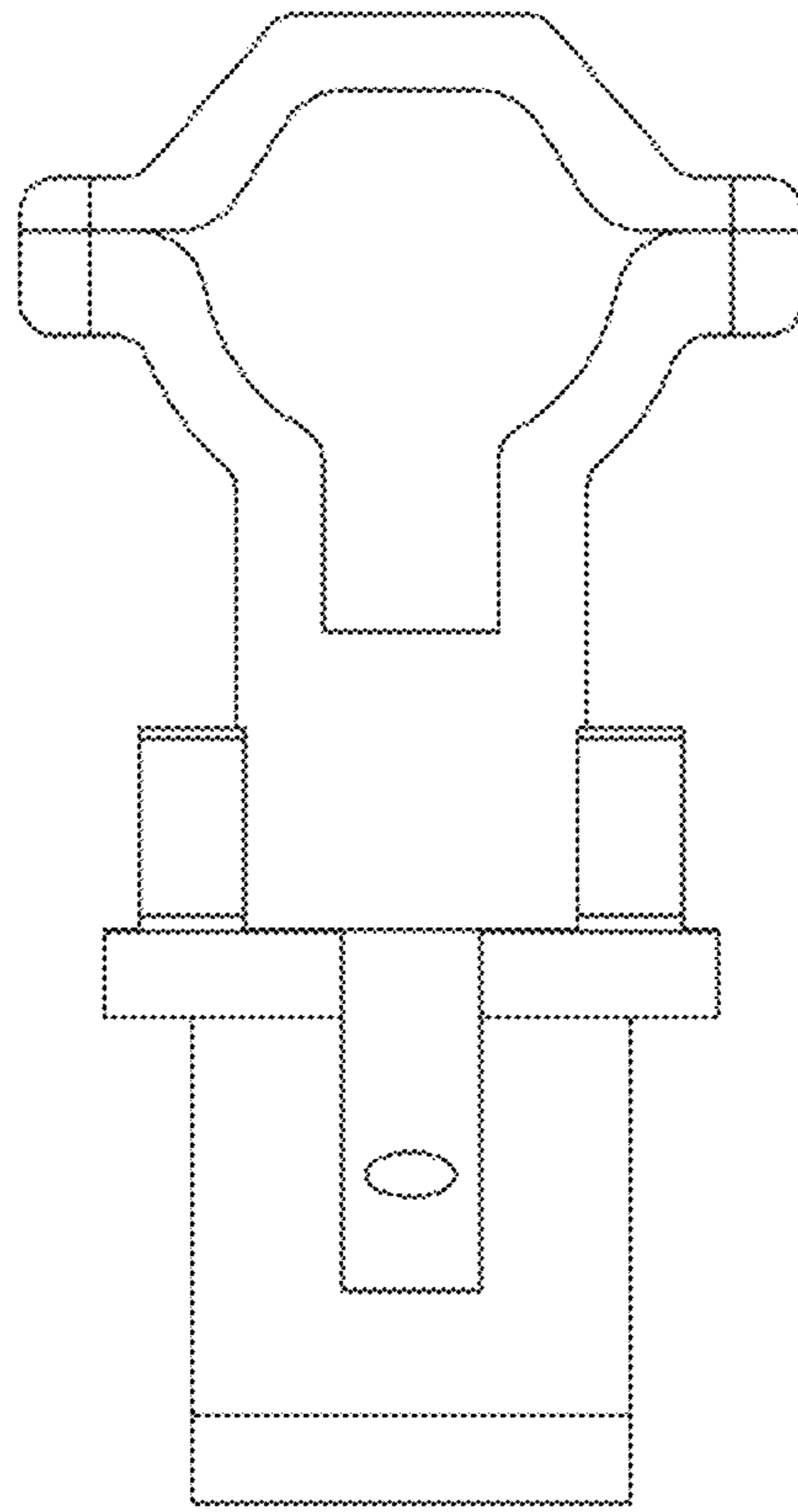


FIG. 2

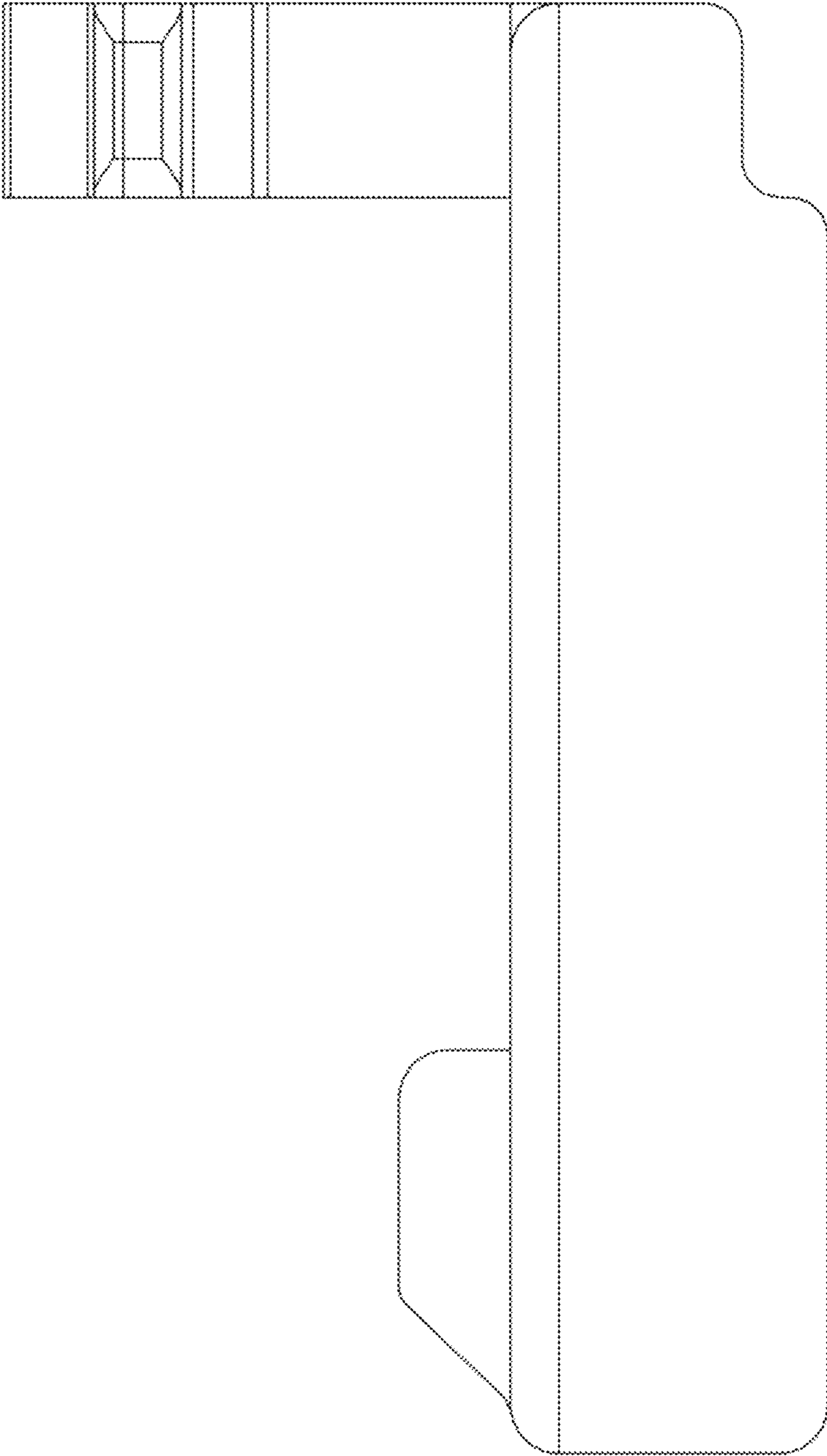


FIG. 3

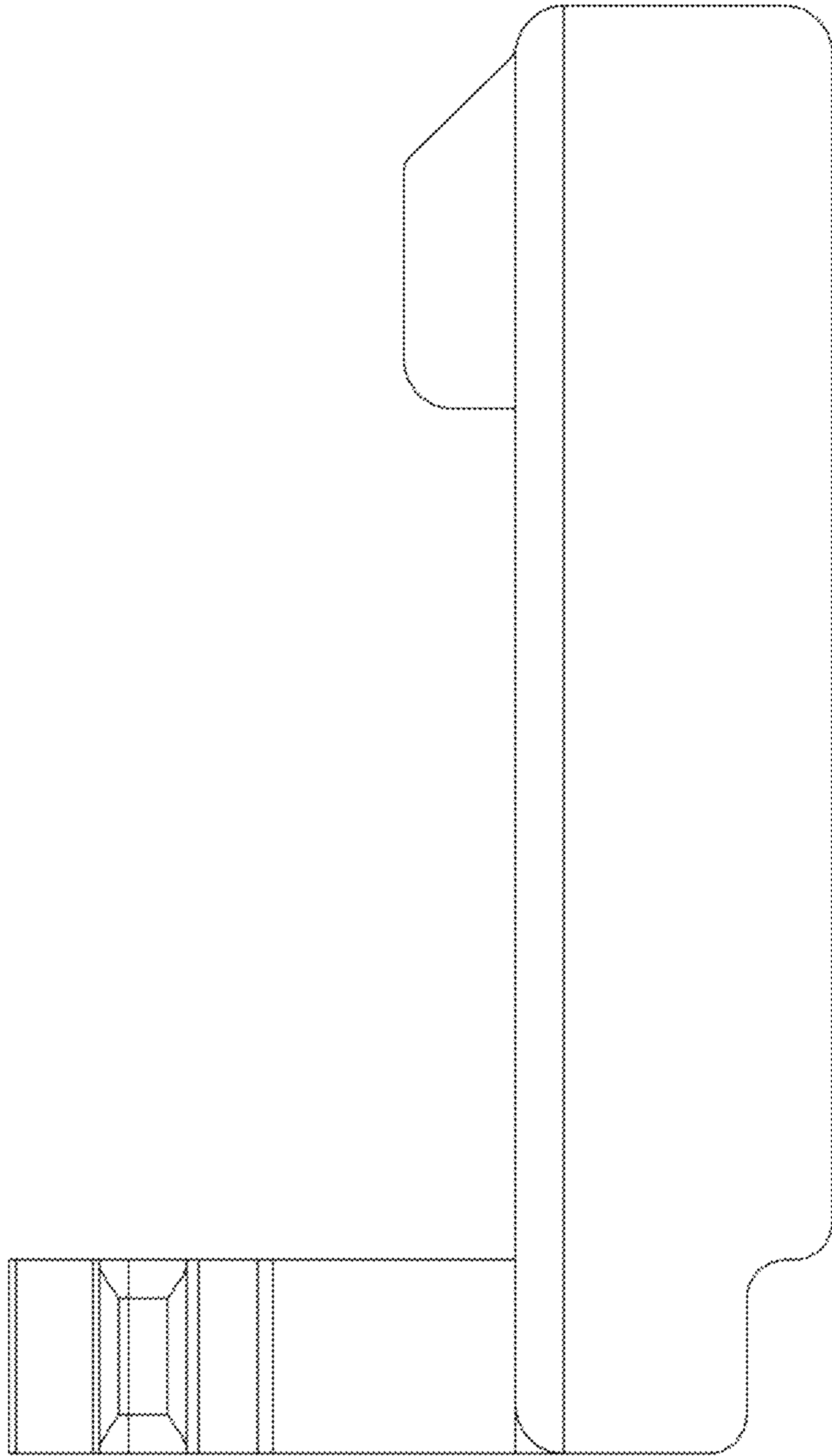


FIG. 4

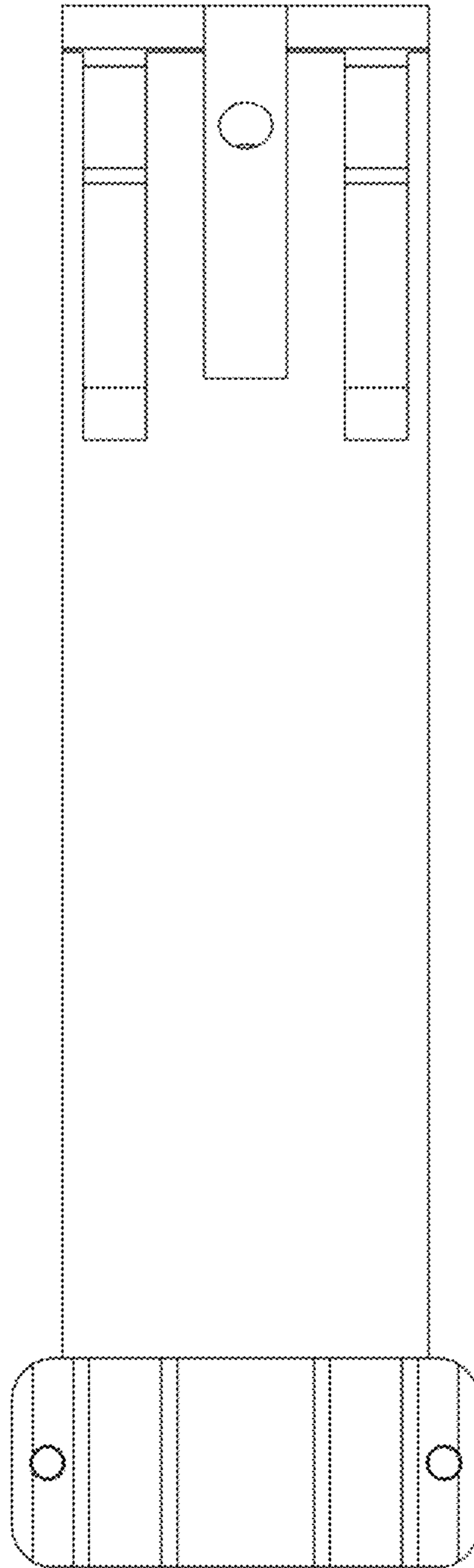


FIG. 5

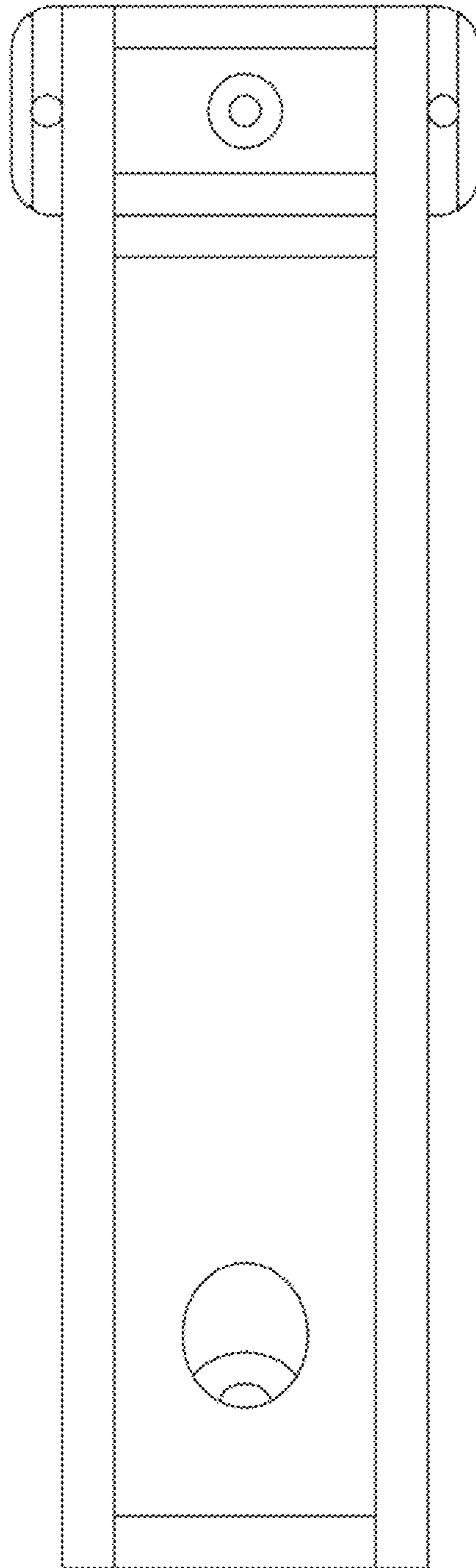


FIG. 6

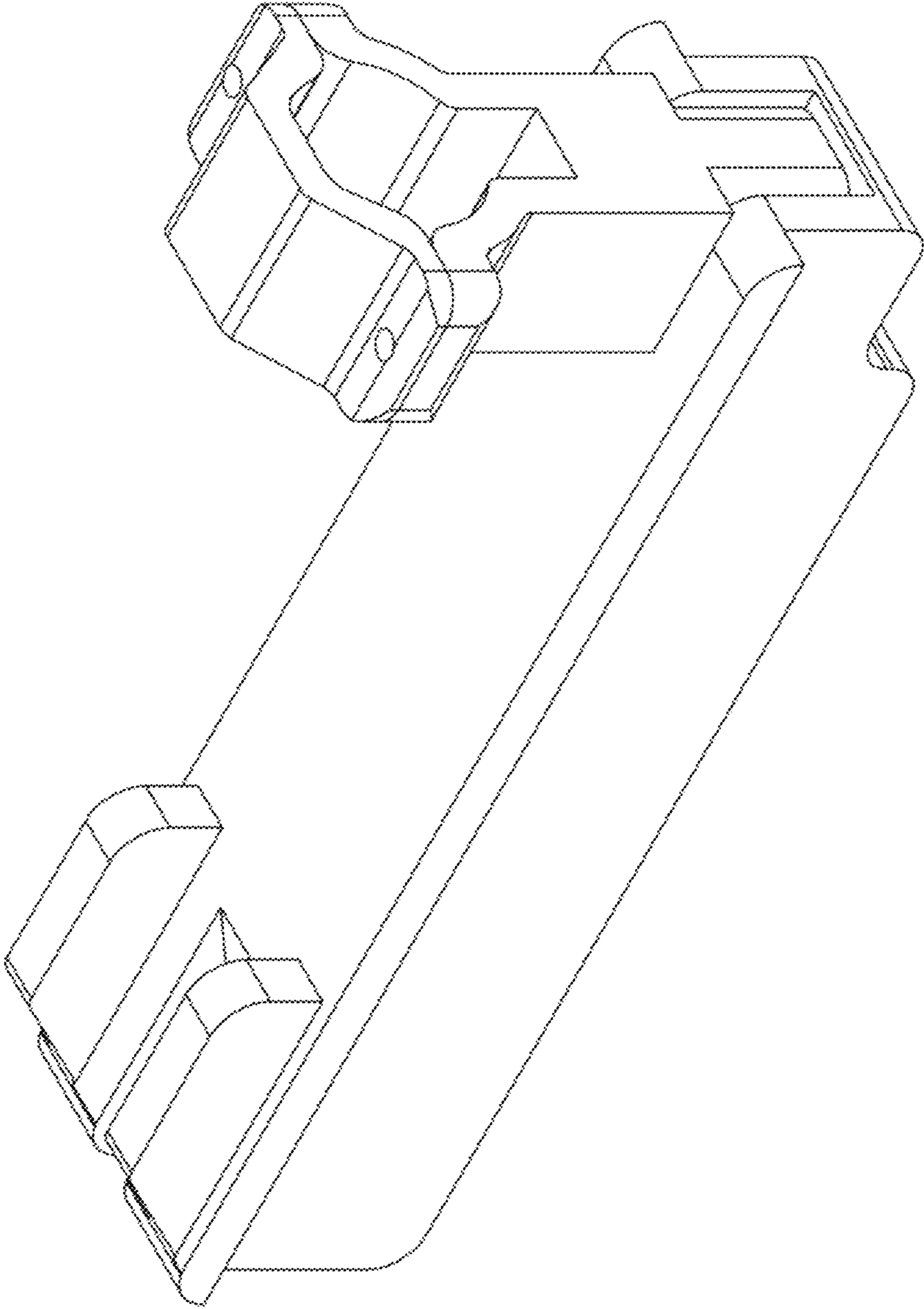


FIG. 7

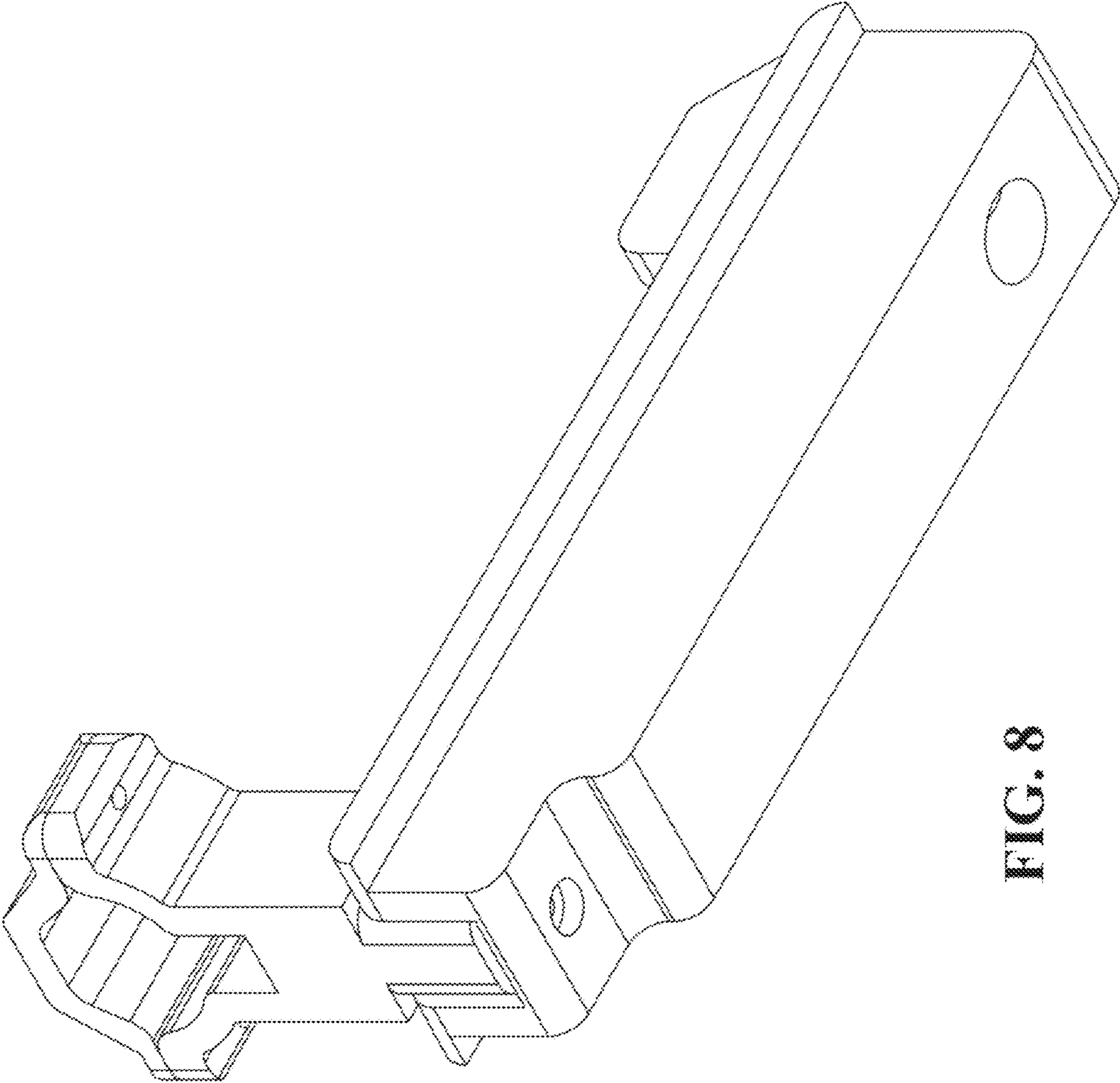


FIG. 8

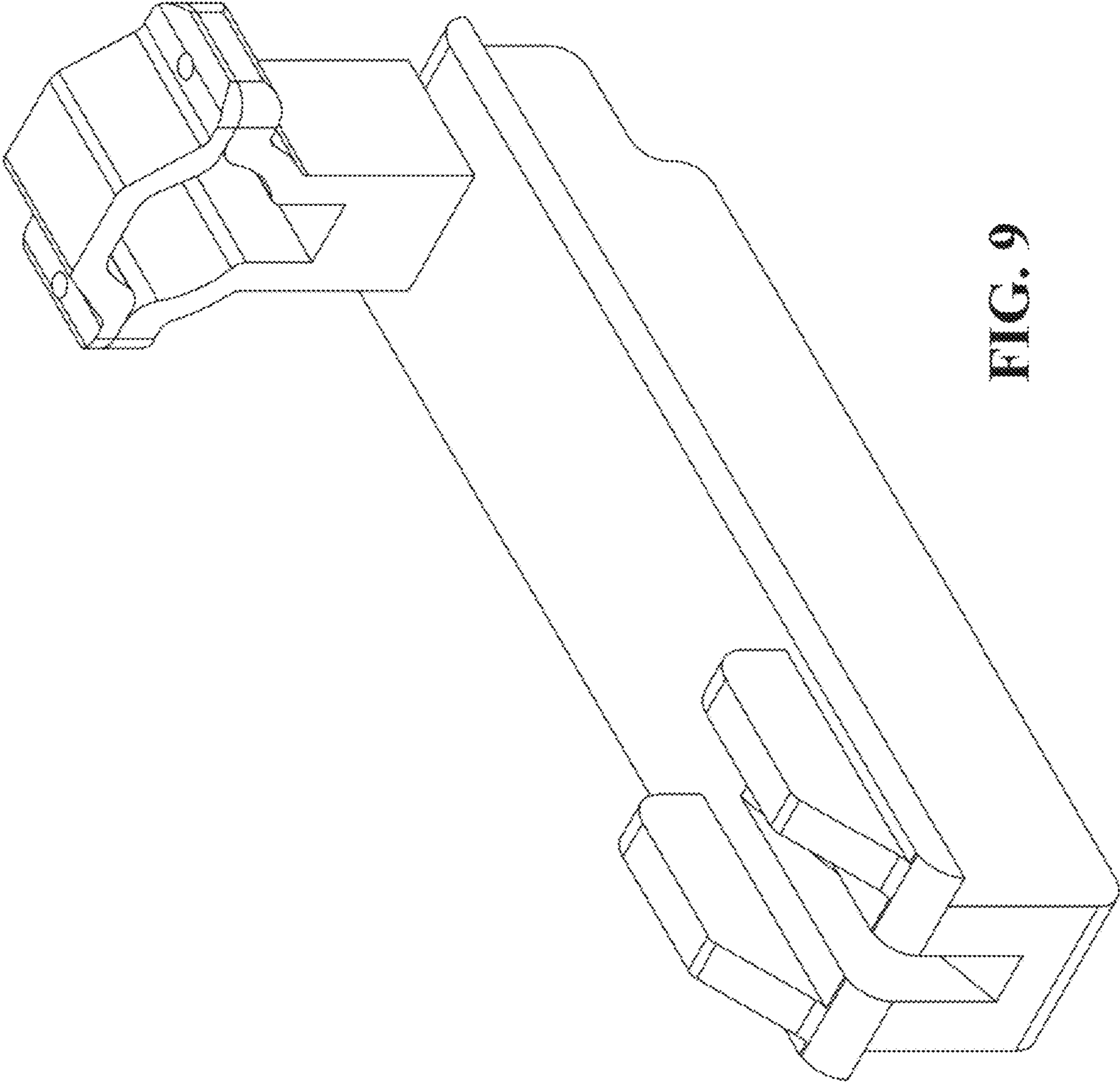


FIG. 9

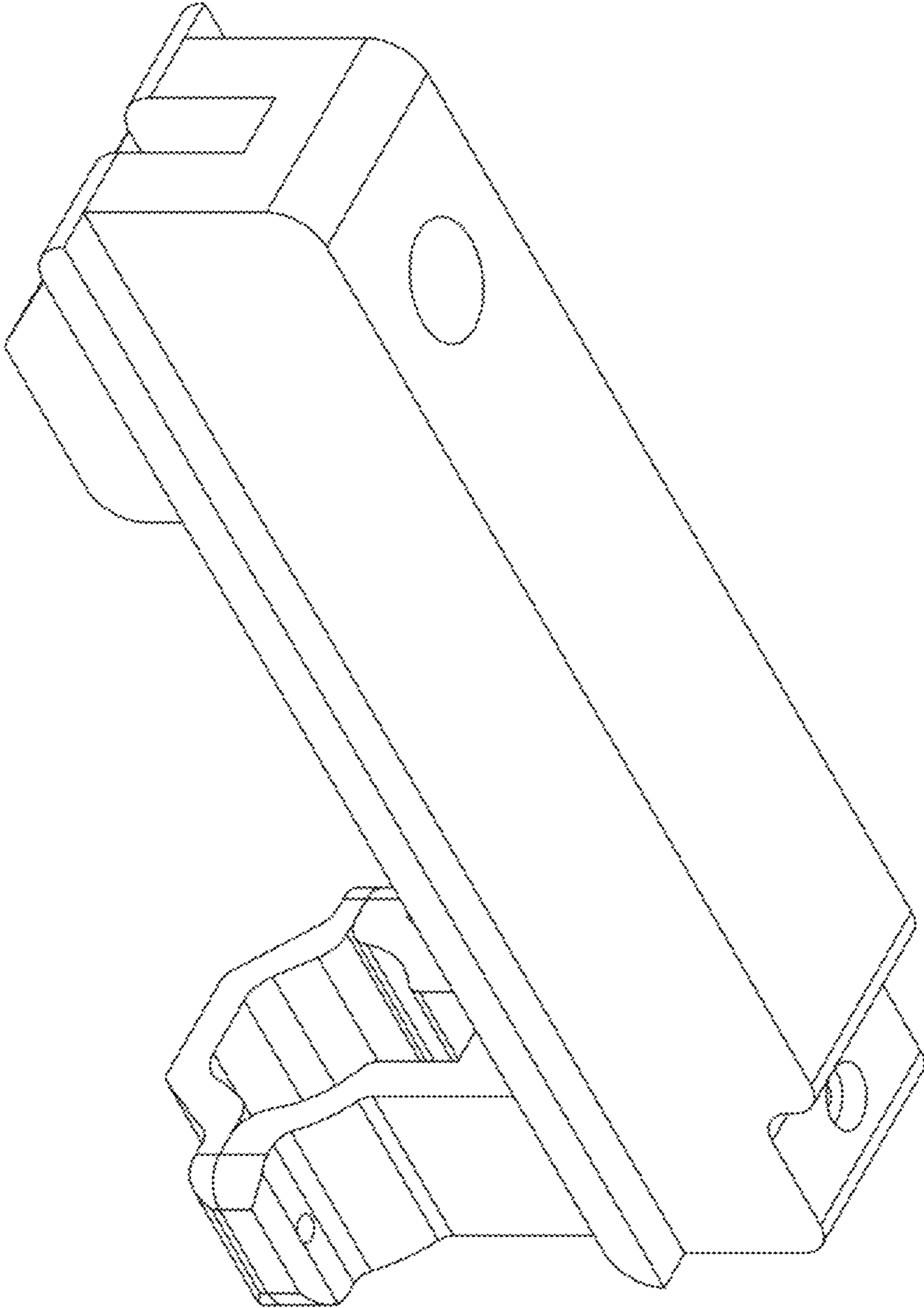


FIG. 10