



US00D989213S

(12) **United States Design Patent**
Peterson

(10) **Patent No.:** **US D989,213 S**
(45) **Date of Patent:** **** Jun. 13, 2023**

(54) **INFLATABLE TOWABLE VEHICLE**

- (71) Applicant: **SDS Asia Limited, BVI #1748971**,
Hong Kong (CN)
- (72) Inventor: **Leroy L. Peterson**, Omaha, NE (US)
- (73) Assignee: **SDS Asia Limited, BVI #1748971**,
Central Hong Kong (CN)

(**) Term: **15 Years**

(21) Appl. No.: **29/776,594**

(22) Filed: **Mar. 31, 2021**

(51) **LOC (14) Cl.** **21-03**

(52) **U.S. Cl.**
USPC **D21/803**; D21/801; D21/698

(58) **Field of Classification Search**
USPC D21/808, 803, 809, 770, 801
CPC A63B 31/00; A63B 35/00; A63B 69/14;
A47C 15/006

See application file for complete search history.

(56) **References Cited**

U.S. PATENT DOCUMENTS

3,268,925	A *	8/1966	Serra	B63C 9/04
					441/40
D574,459	S *	8/2008	Peterson	D21/803
D609,301	S *	2/2010	Cirjak	D21/803
D891,556	S *	7/2020	He	D21/808
D897,474	S *	9/2020	He	D21/808
D920,459	S *	5/2021	Liao	D21/803

OTHER PUBLICATIONS

Amazon Website, Airhead Poparazzi Inflatable, Earliest Available Date: Jan. 7, 2021, [Website Visited on Jun. 8, 2022], Available on the internet URL <https://www.amazon.com/Airhead-Poparazzi-Inflatable-Heavy-Gauge-Towable/dp/B08LHMJTJV?th=1> (Year: 2021).*

Hemmel, Jeff, "Top Three-Passenger Inflatables", Boating Magazine, Jun. 15, 2022, (<https://www.boatingmag.com/gear/top-three-passenger-inflatables/>).

* cited by examiner

Primary Examiner — S. Bryan Reinholdt, Jr.

Assistant Examiner — James T. Tyree

(74) *Attorney, Agent, or Firm* — Suiter Swantz pc llo

(57) **CLAIM**

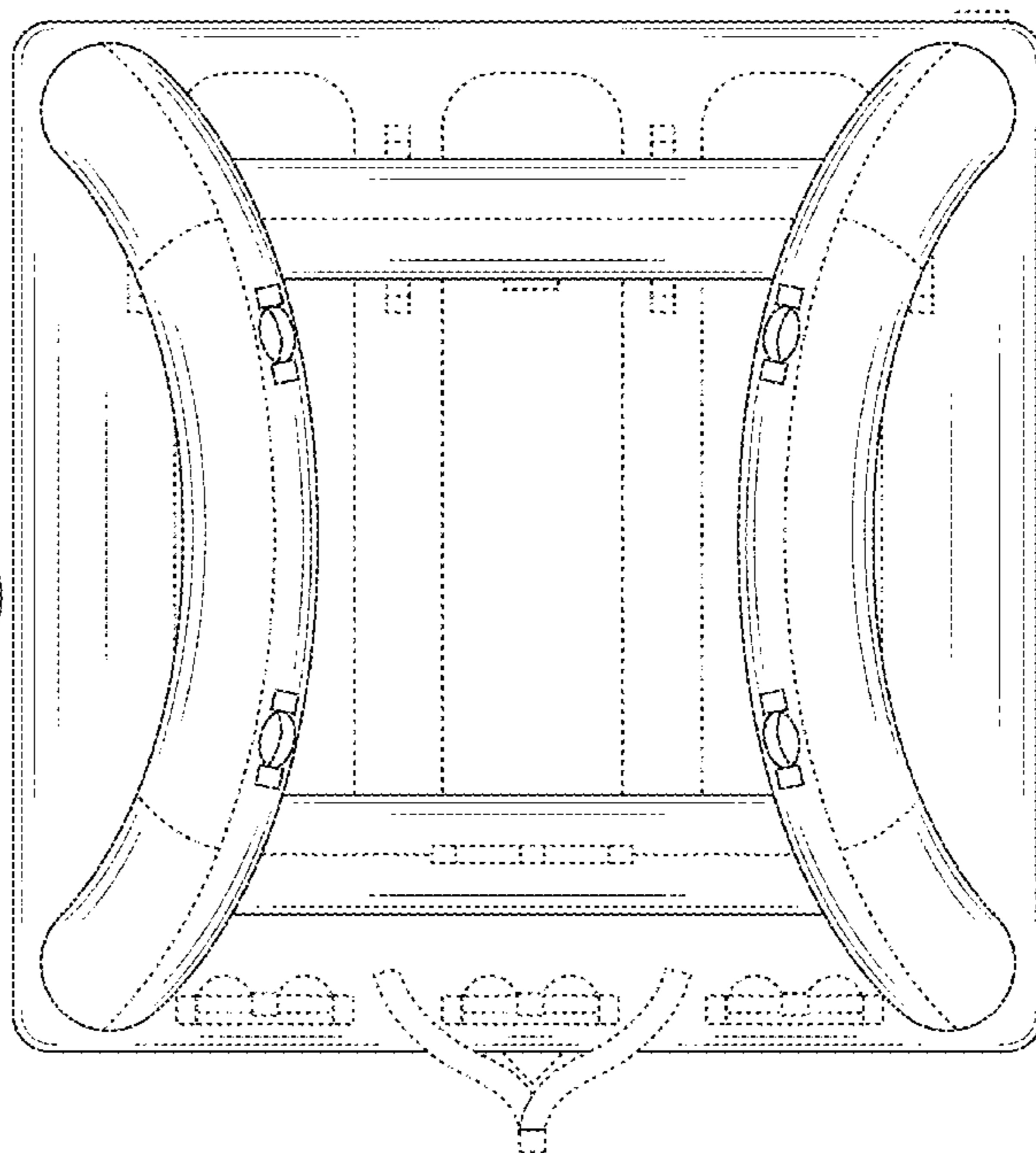
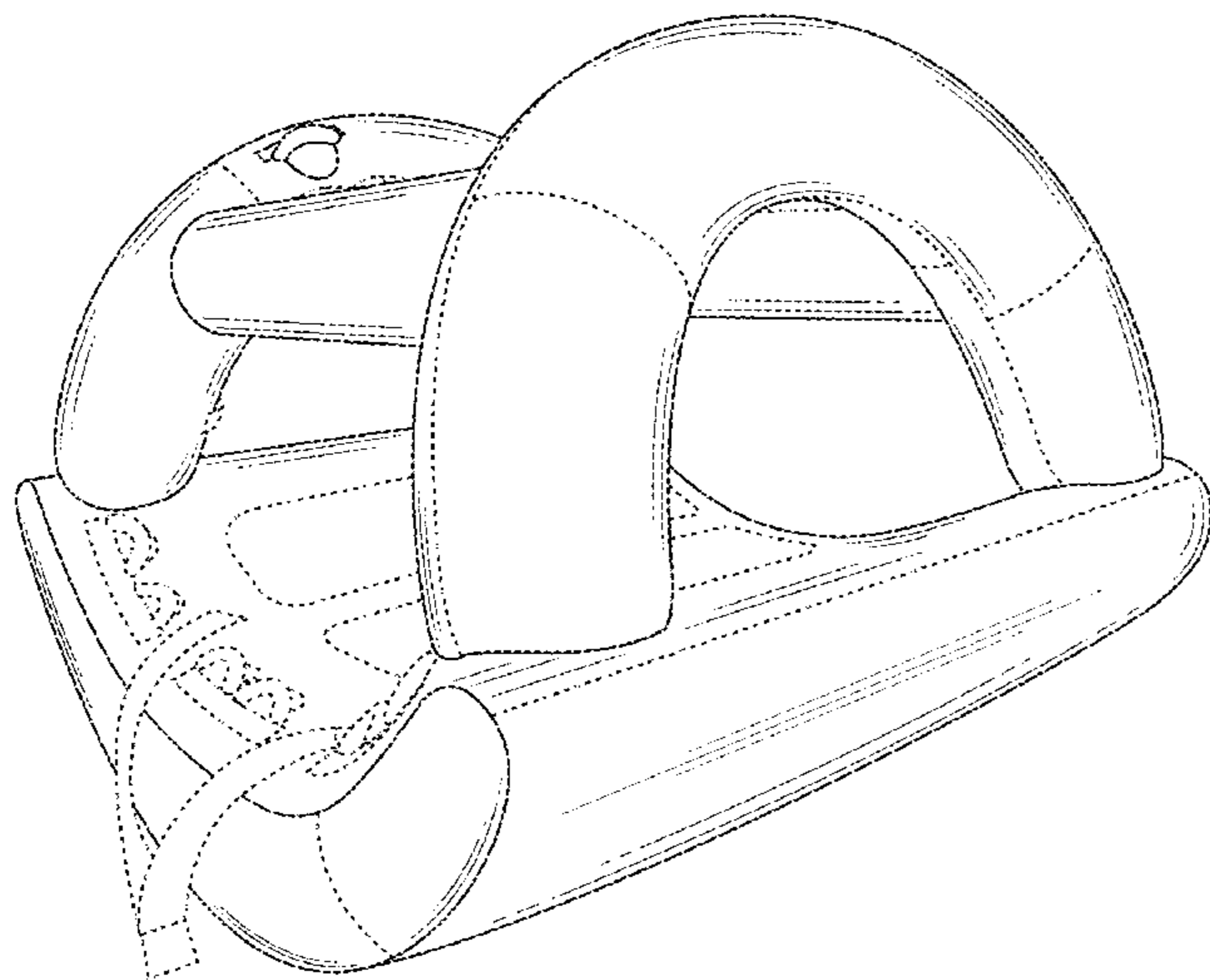
The ornamental design for an inflatable towable vehicle, as shown and described.

DESCRIPTION

FIG. 1 is a perspective view showing my new design;
 FIG. 2 is a top plan view thereof;
 FIG. 3 is a bottom plan view thereof;
 FIG. 4 is a front side elevation view thereof;
 FIG. 5 is a rear side elevation view thereof;
 FIG. 6 is a right side elevation view thereof;
 FIG. 7 is a left side elevation view thereof;
 FIG. 8 is a right side perspective view thereof; and,
 FIG. 9 is a left side perspective view thereof.

The broken lines illustrate portions of the inflatable towable vehicle that form no part of the claimed design.

1 Claim, 9 Drawing Sheets



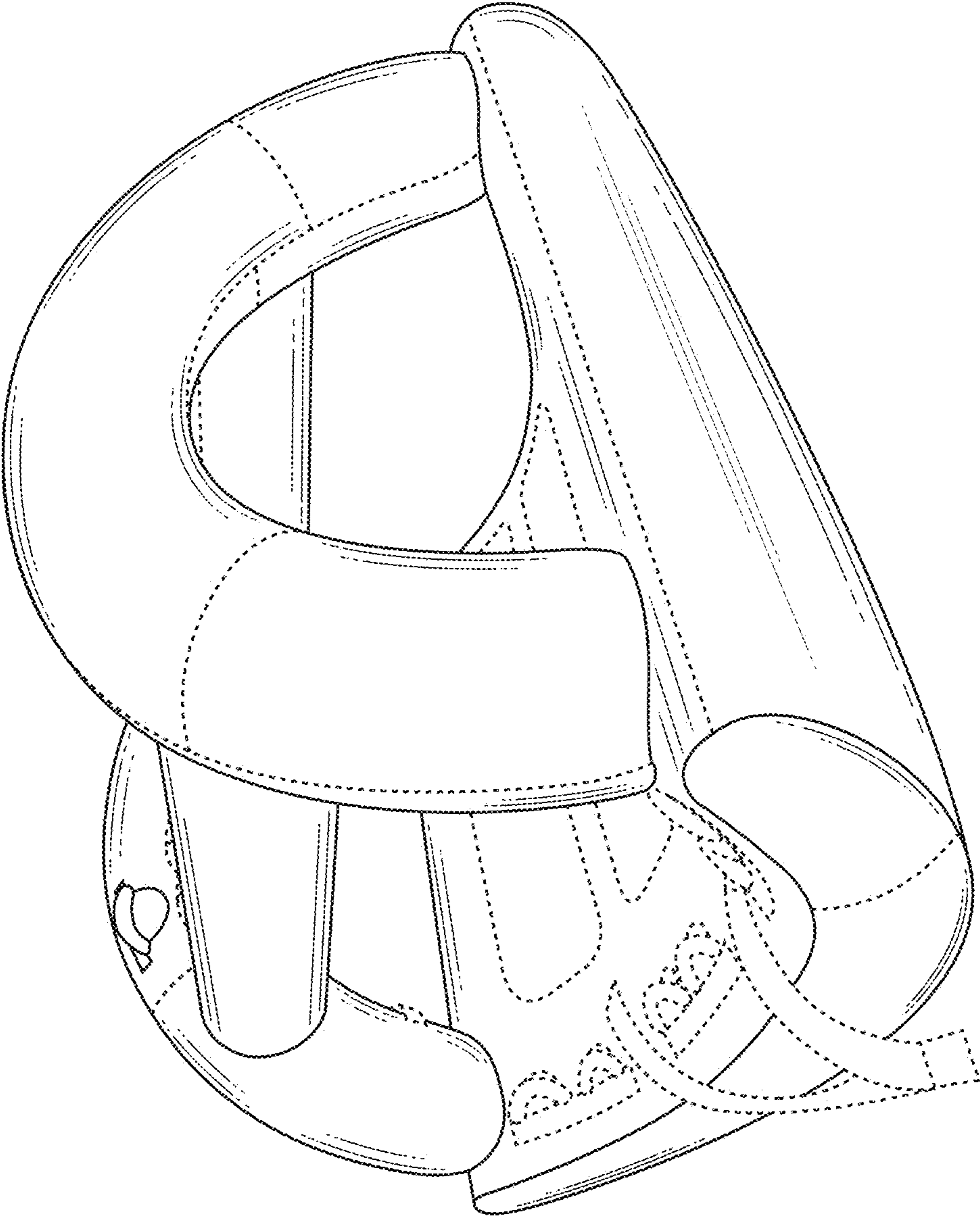


FIG.1

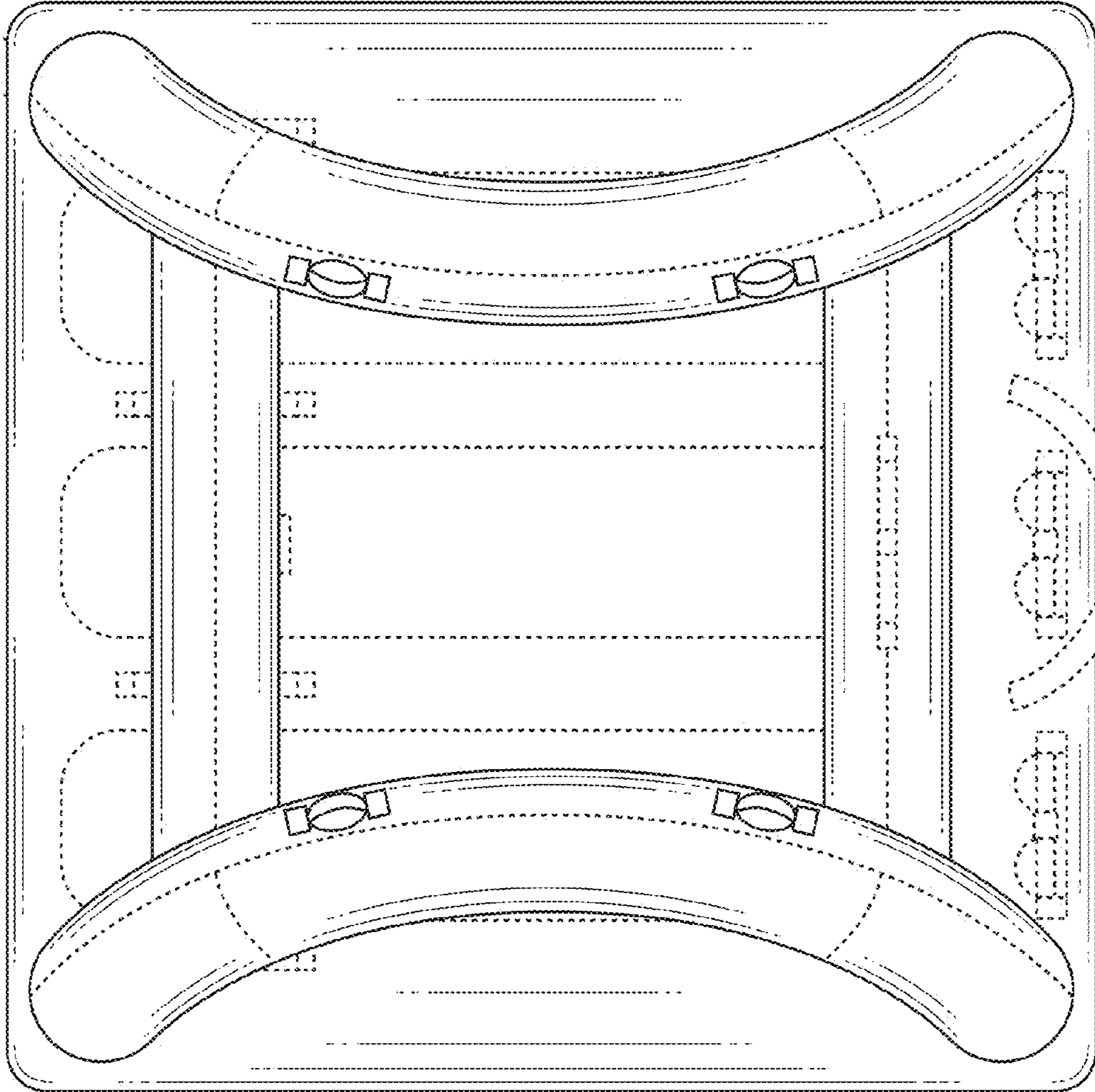


FIG. 2

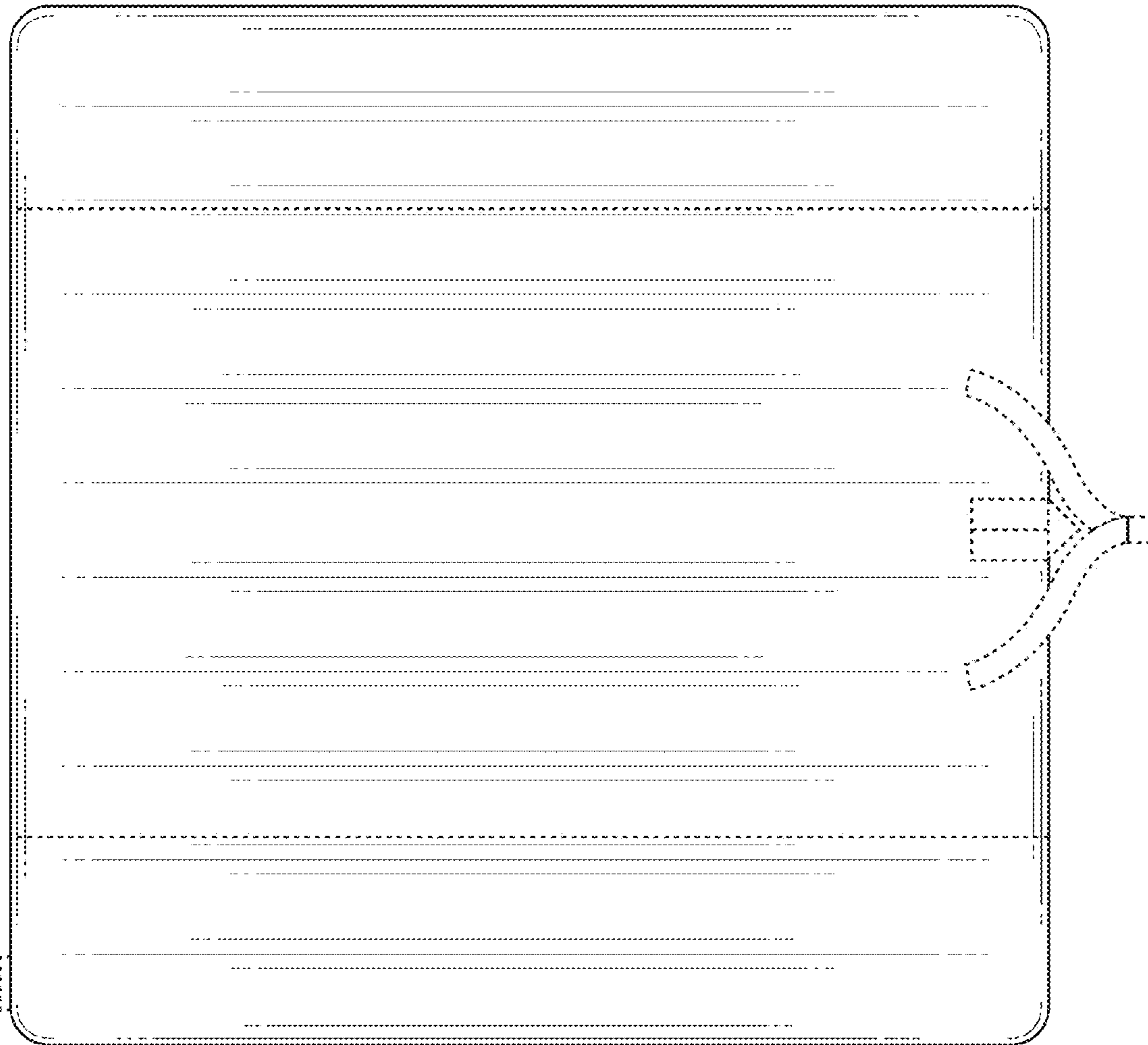


FIG. 3

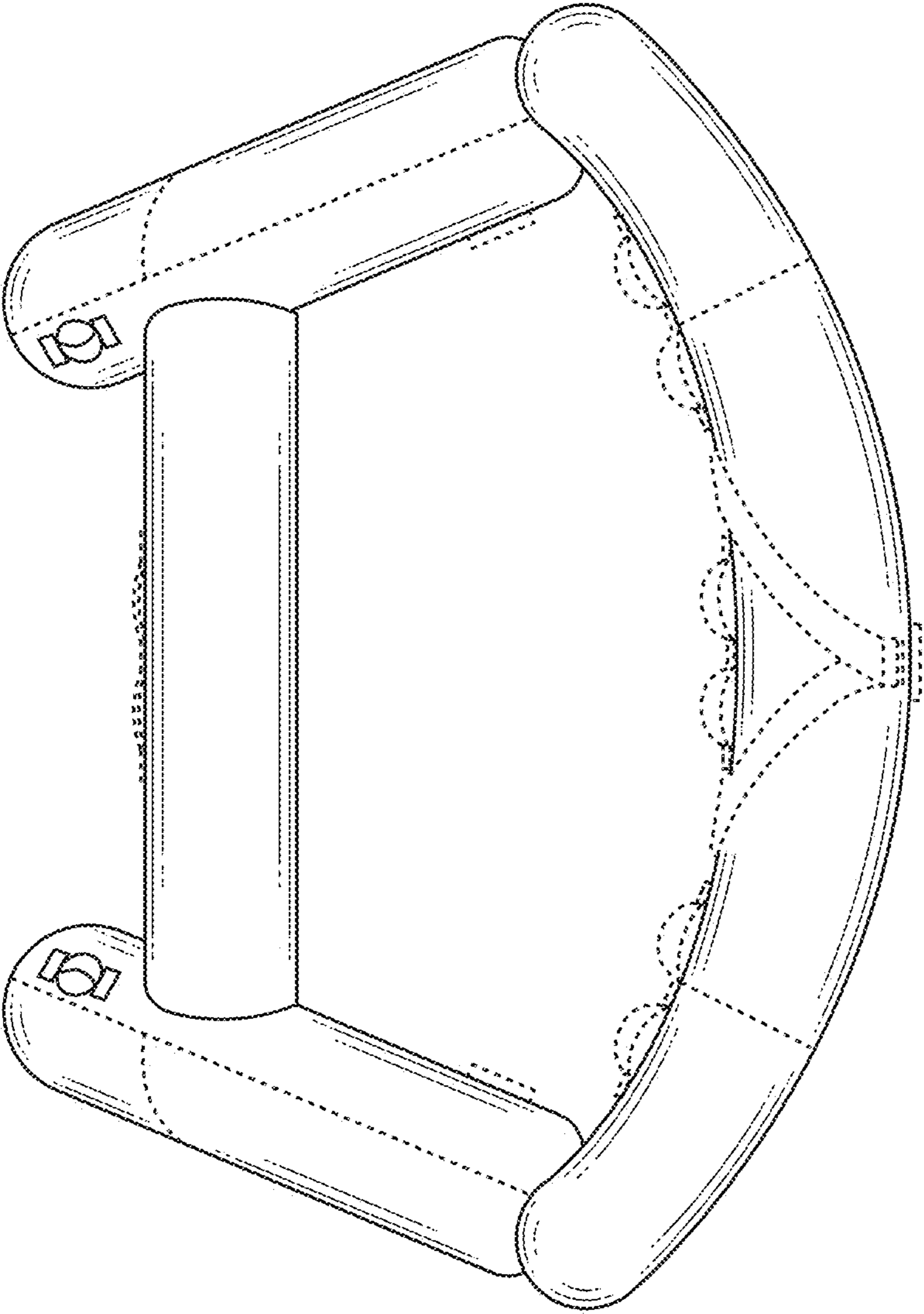


FIG.4

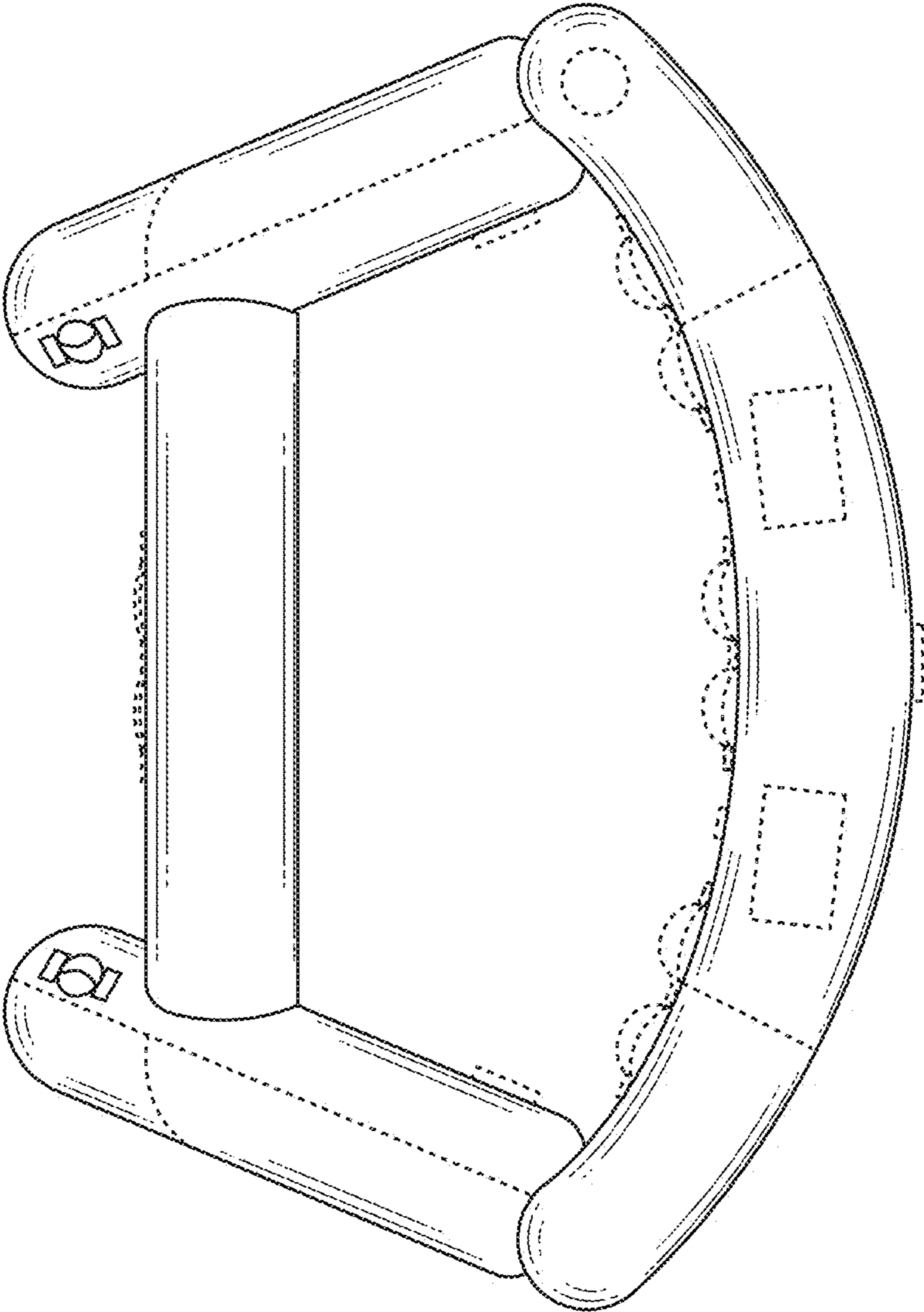


FIG. 5

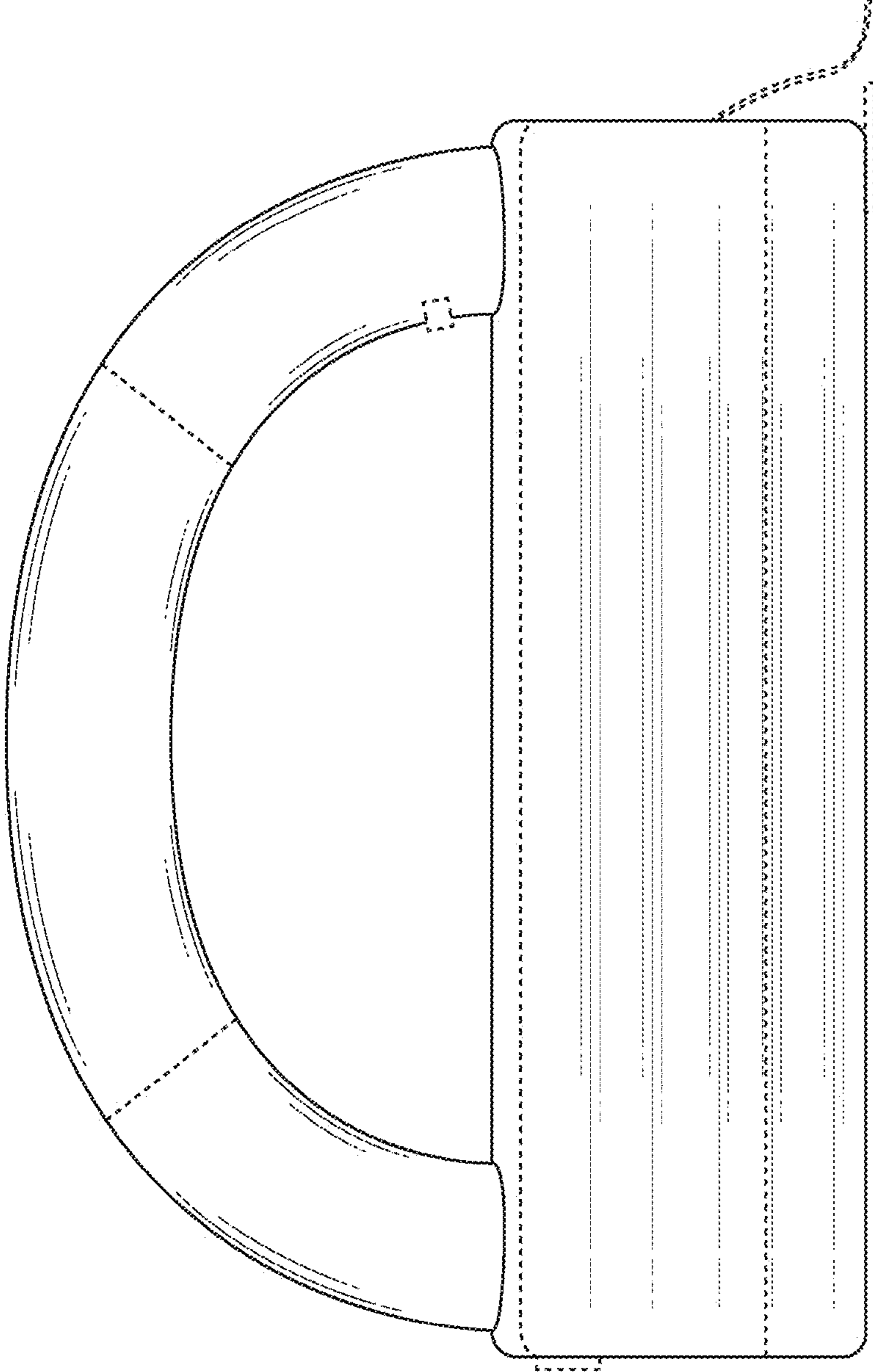


FIG.6

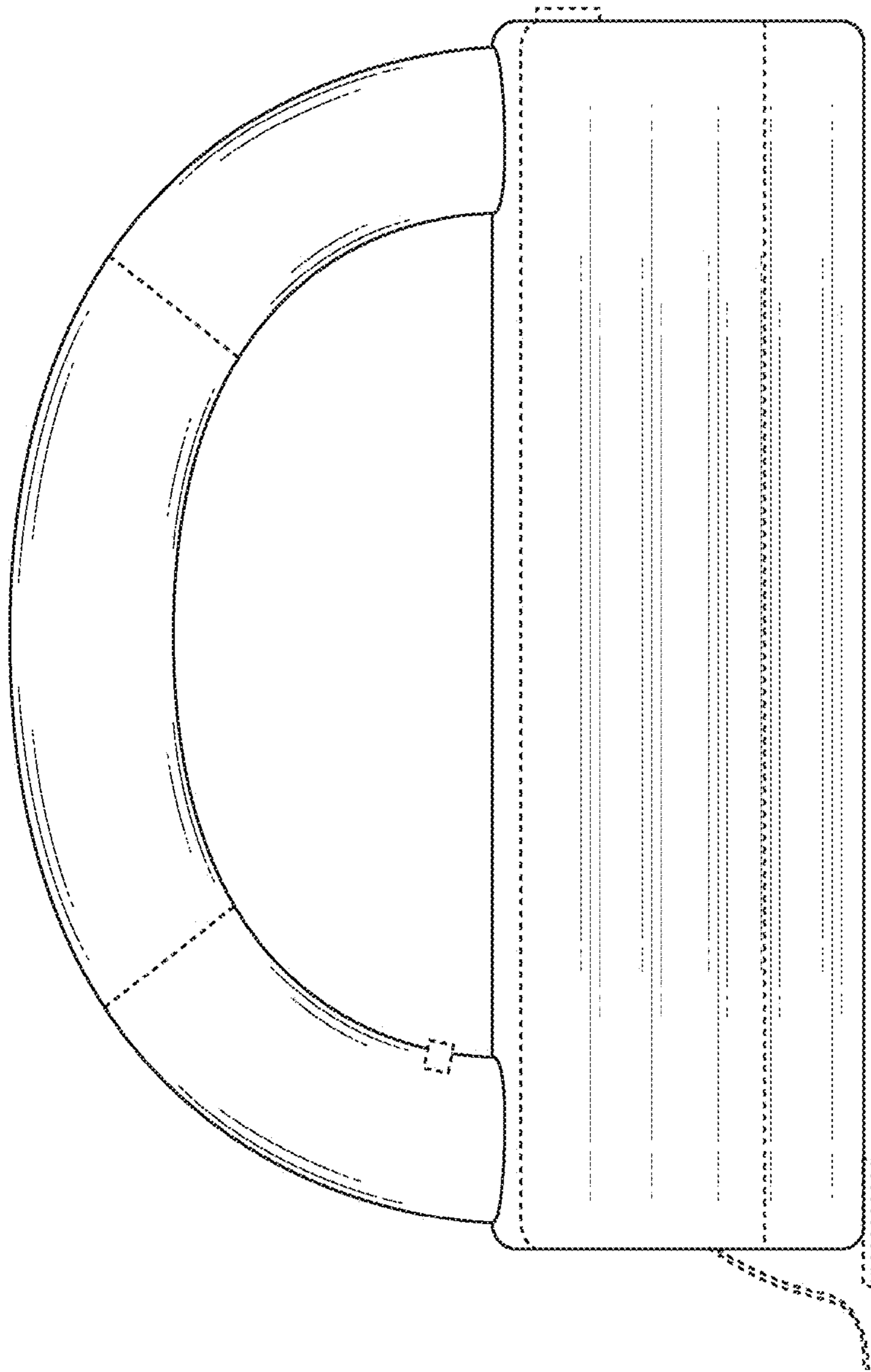


FIG. 7

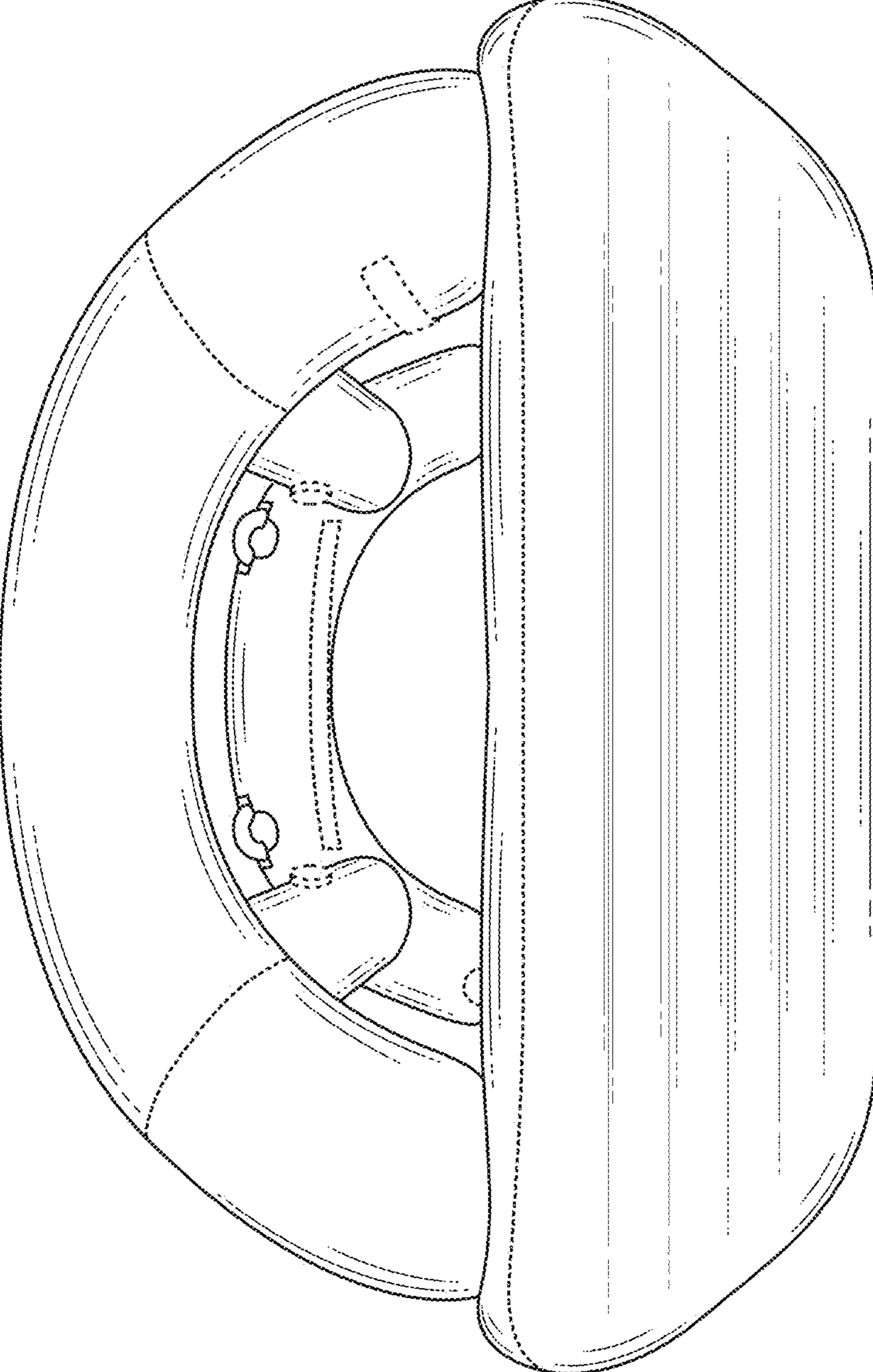


FIG. 8

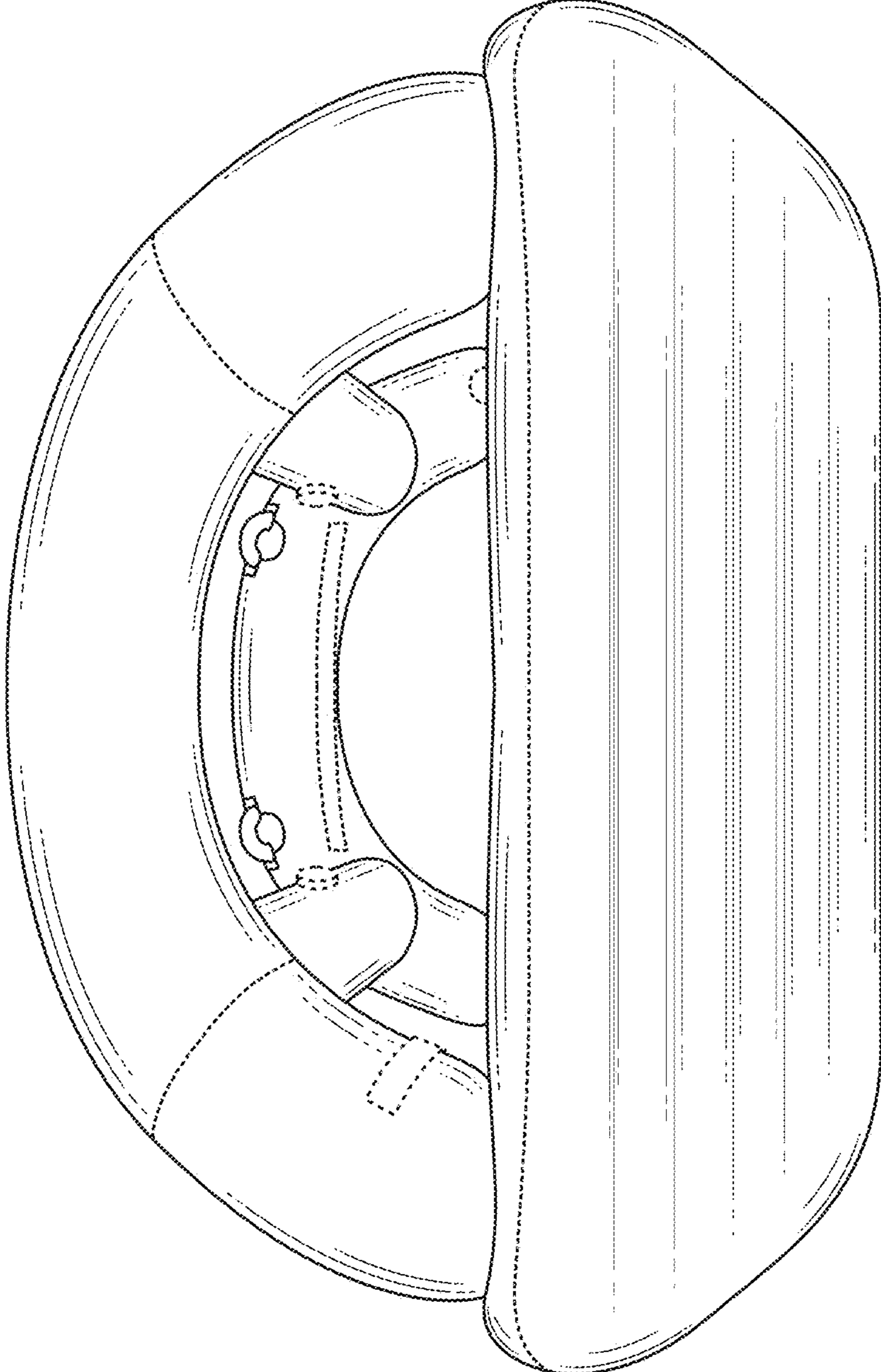


FIG. 9