



US00D989212S

(12) **United States Design Patent** (10) **Patent No.:** **US D989,212 S**
Male (45) **Date of Patent:** **** Jun. 13, 2023**

(54) **TRAMPOLINE**
(71) Applicant: **Andrew William Male**, Tamworth (GB)
(72) Inventor: **Andrew William Male**, Tamworth (GB)
(73) Assignee: **Andrew William Male**, Tamworth (GB)

D777,865 S * 1/2017 de Boer D21/797
D842,956 S * 3/2019 Kopf D21/797
D843,535 S * 3/2019 Kopf D21/797
D843,536 S * 3/2019 Kopf D21/797
D844,730 S * 4/2019 Fischer D21/797
D850,553 S * 6/2019 Kopf D21/797
D853,507 S * 7/2019 Hammer D21/797
D920,458 S * 5/2021 Zeng D21/797
D933,154 S * 10/2021 Chen D21/797

(**) Term: **15 Years**

(21) Appl. No.: **35/514,274**

(22) Filed: **Apr. 19, 2022**

(80) **Hague Agreement Data**

Int. Filing Date: **Apr. 19, 2022**
Int. Reg. No.: **DM/220505**
Int. Reg. Date: **Apr. 19, 2022**
Int. Reg. Pub. Date: **May 13, 2022**

(30) **Foreign Application Priority Data**

Oct. 20, 2021 (GB) 6171056

(51) **LOC (14) Cl.** **21-02**

(52) **U.S. Cl.**
USPC **D21/797**

(58) **Field of Classification Search**
USPC D21/668, 663, 694, 780, 797, 815;
D14/486; D6/329, 331; D12/111
CPC A63B 5/11; A63B 21/4035; A63B 71/022;
A63B 21/023; A63B 2225/093
See application file for complete search history.

(56) **References Cited**

U.S. PATENT DOCUMENTS

D680,609 S * 4/2013 Publicover D21/797
D758,515 S * 6/2016 Tsai D21/797
D777,279 S * 1/2017 de Boer D21/797
D777,280 S * 1/2017 de Boer D21/797

FOREIGN PATENT DOCUMENTS

GB 6134222 * 4/2021

OTHER PUBLICATIONS

“JumpSport”, Nov. 24, 2020, Amazon, site visited Jan. 12, 2023: <https://amzn.to/3mDWWv3> (Year: 2020).*
“Bellicon Go”, Jan. 27, 2020, Amazon, site visited Jan. 12, 2023: <https://amzn.to/3nKfkl6> (Year: 2020).*
“Zupapa Silent Mini Fitness Trampoline” Jul. 21, 2019, Amazon, site visited Jan. 12, 2023: <https://amzn.to/3kcXGba> (Year: 2019).*

* cited by examiner

Primary Examiner — Jack Reickel

Assistant Examiner — Salamah Jordan

(74) *Attorney, Agent, or Firm* — Saidman DesignLaw Group, LLC

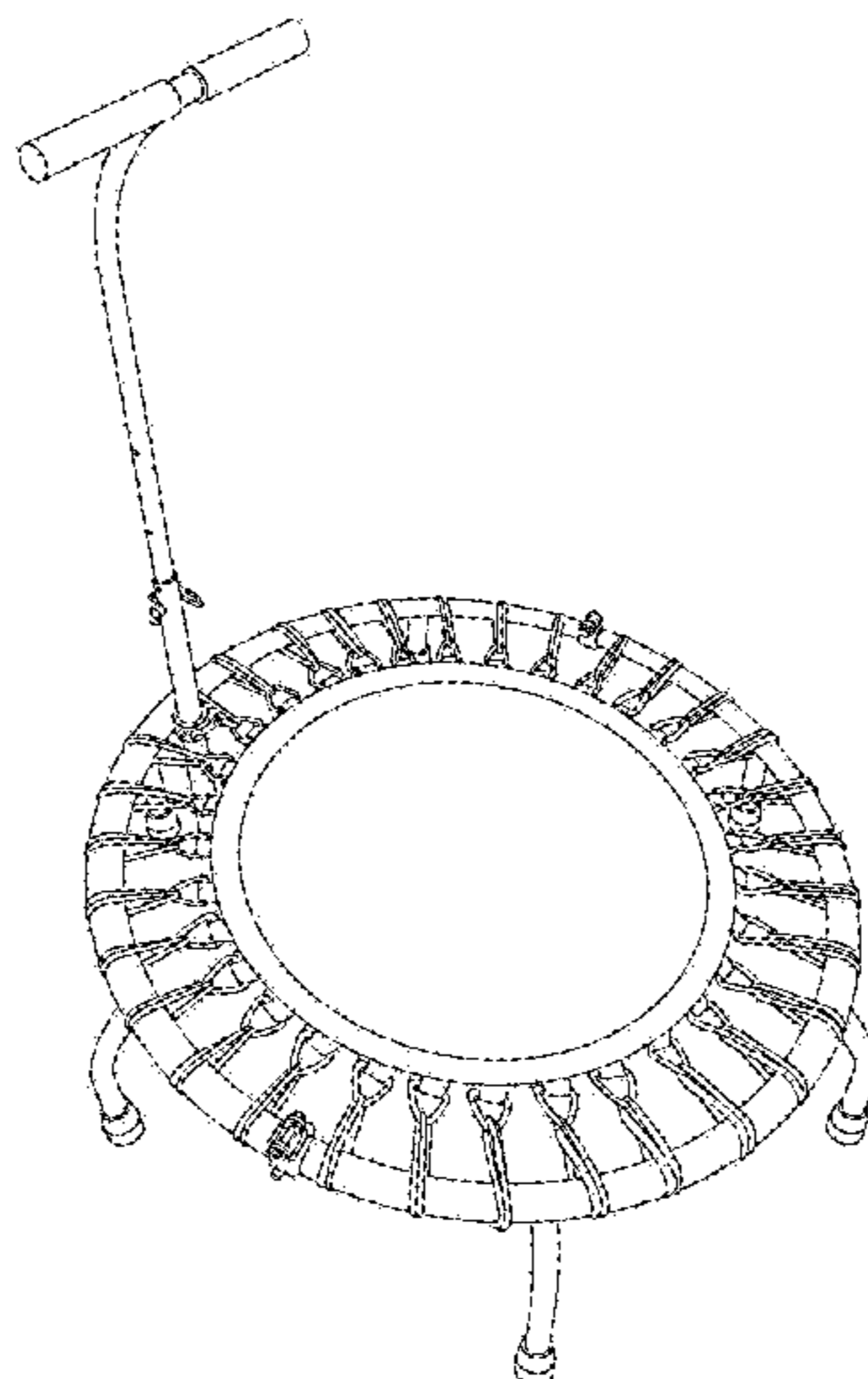
(57) **CLAIM**

The ornamental design for a trampoline, as shown and described.

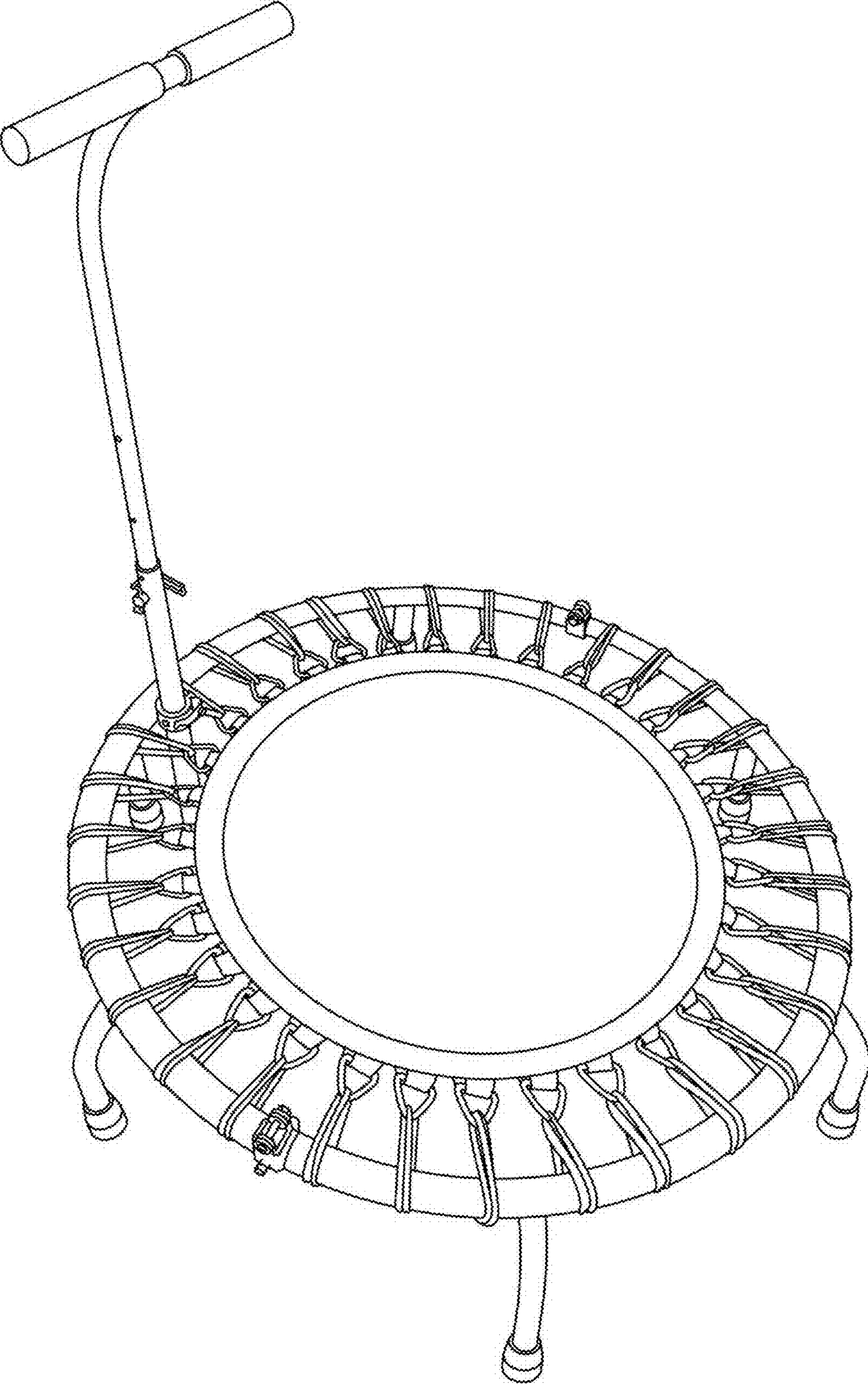
DESCRIPTION

- 1. Trampoline
- 1.1 : Perspective
- 1.2 : Back
- 1.3 : Front
- 1.4 : Right
- 1.5 : Left
- 1.6 : Top
- 1.7 : Bottom

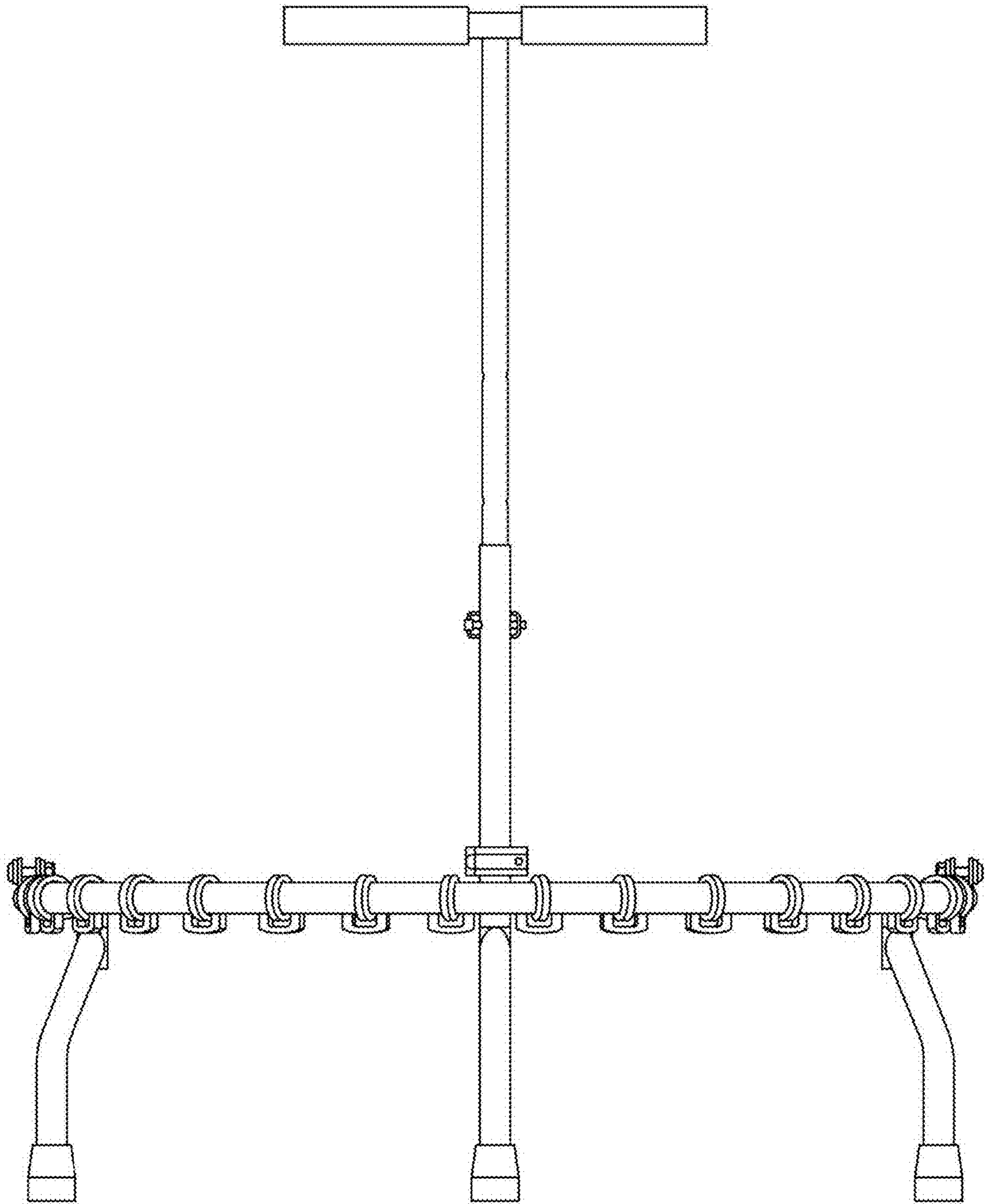
1 Claim, 7 Drawing Sheets



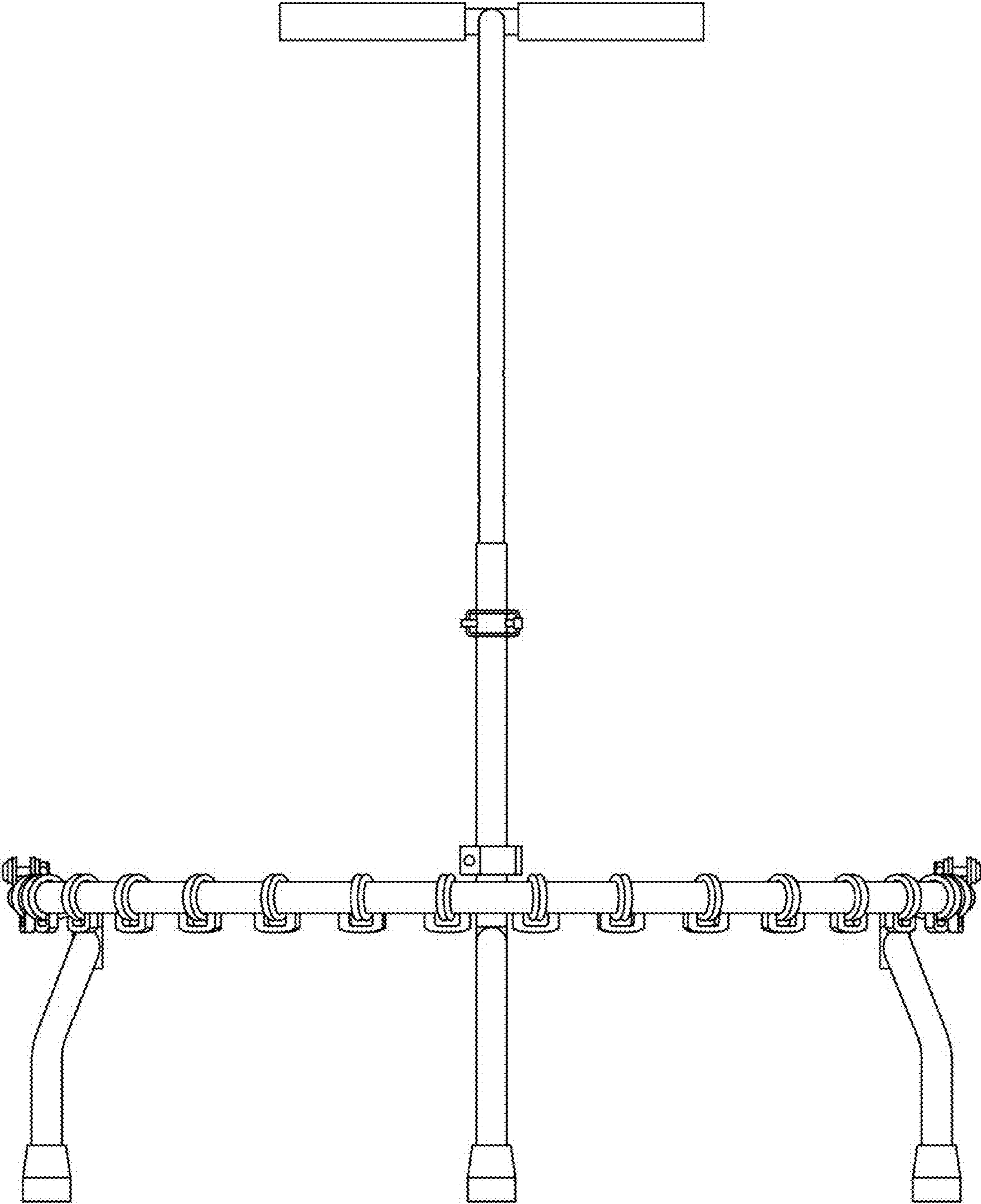
1.1



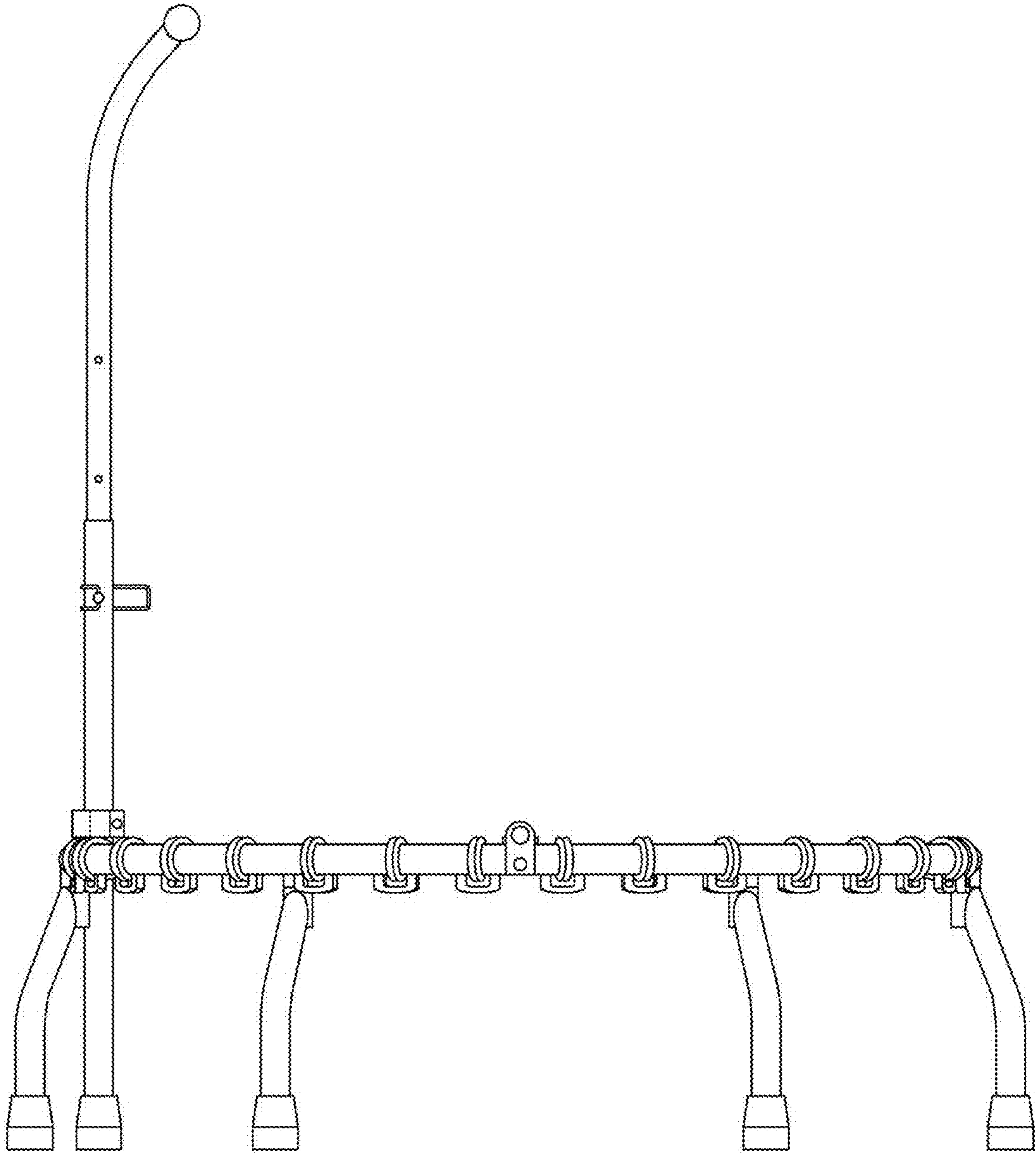
1.2



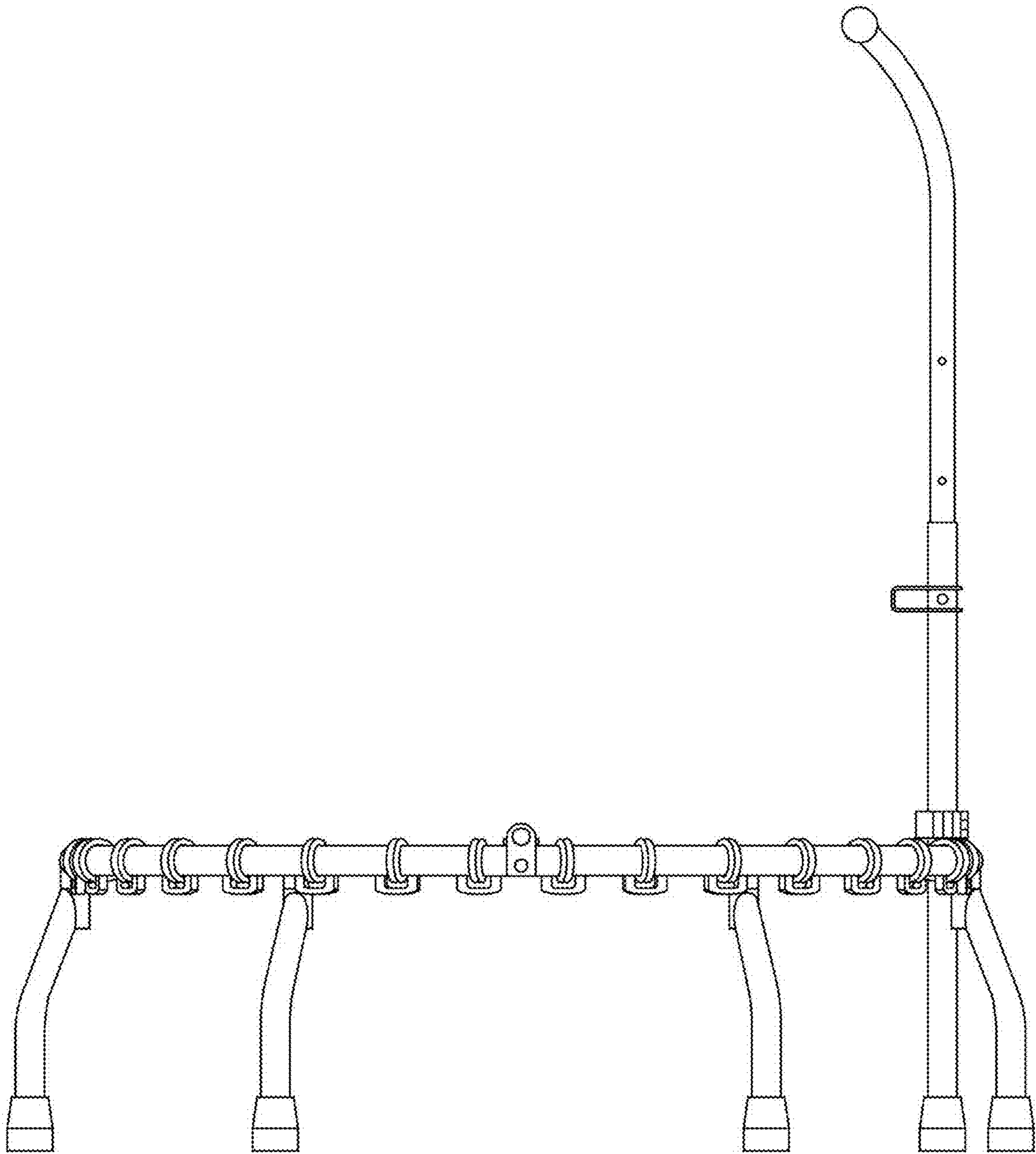
1.3



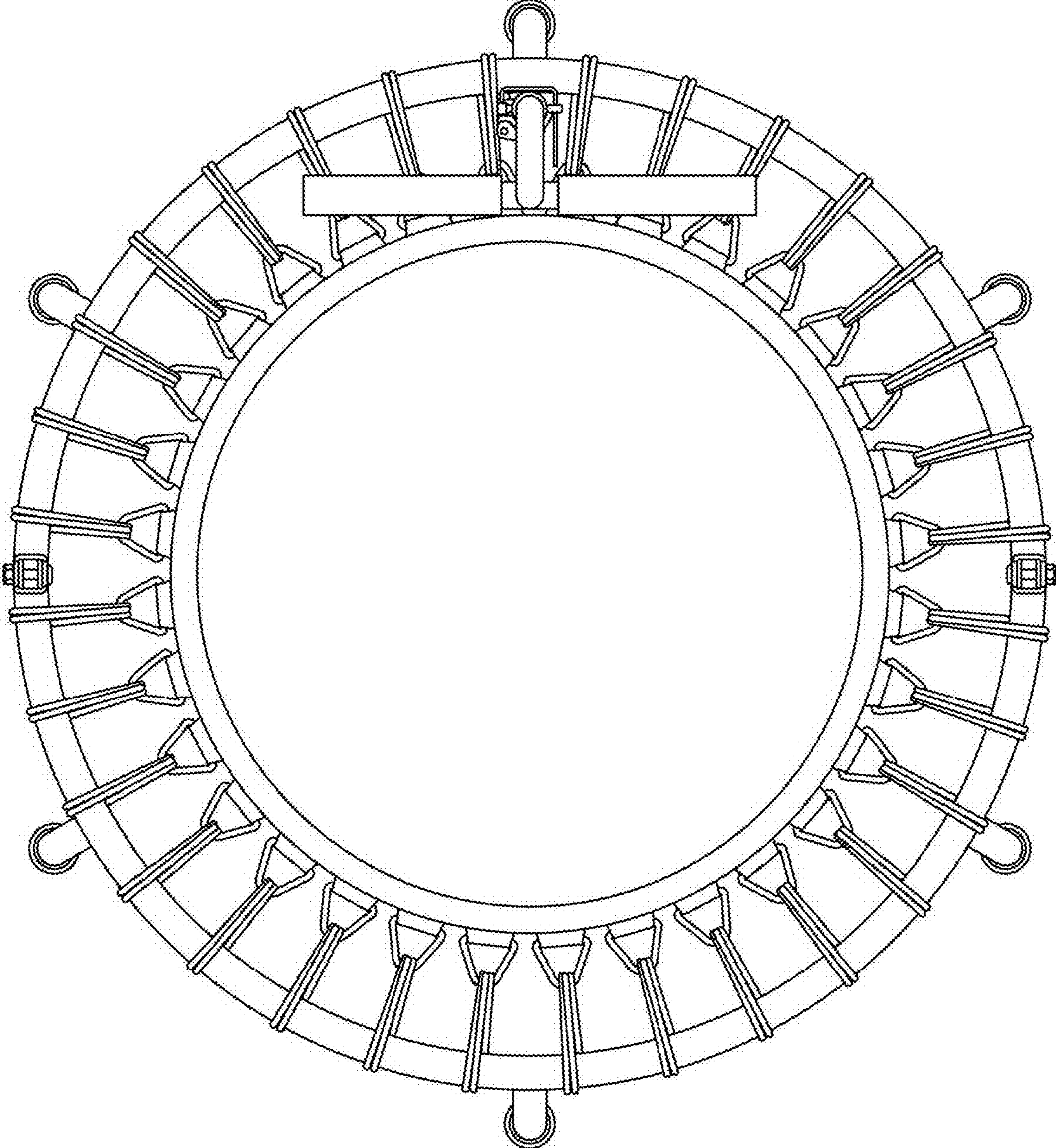
1.4



1.5



1.6



1.7

