



US00D989210S

(12) **United States Design Patent**  
**Sun**

(10) **Patent No.:** **US D989,210 S**  
(45) **Date of Patent:** **\*\* Jun. 13, 2023**

(54) **TRAMPOLINE**  
(71) Applicant: **YANGZHOU KANGLE MACHINERY CO., LTD.**, Jiangsu (CN)  
(72) Inventor: **Bisheng Sun**, Jiangsu (CN)  
(73) Assignee: **YANGZHOU KANGLE MACHINERY CO., LTD.**, Yangzhou (CN)

9,512,631 B2 \* 12/2016 Andon ..... E04H 15/02  
D796,614 S \* 9/2017 Chen ..... D21/797  
10,076,697 B1 \* 9/2018 Publicover ..... A63B 5/11  
10,258,854 B2 \* 4/2019 Chen ..... A63B 5/11  
D925,664 S \* 7/2021 Wang ..... D21/672  
D942,558 S \* 2/2022 Zhu ..... D21/672  
11,247,113 B2 \* 2/2022 Colling ..... A63B 71/023  
D946,103 S \* 3/2022 Ling ..... D21/797  
D958,920 S \* 7/2022 Chen ..... D21/797  
D967,316 S \* 10/2022 Srihari ..... D21/797  
D975,225 S \* 1/2023 Tingler ..... D21/797

(Continued)

(\*\*) Term: **15 Years**  
(21) Appl. No.: **29/786,206**  
(22) Filed: **May 28, 2021**

**FOREIGN PATENT DOCUMENTS**

CN 306424399 \* 3/2021

(30) **Foreign Application Priority Data**

Dec. 3, 2020 (CN) ..... 202030742496.6

(51) **LOC (14) Cl.** ..... **21-02**  
(52) **U.S. Cl.**  
USPC ..... **D21/797**  
(58) **Field of Classification Search**  
USPC ..... D21/672, 671, 693, 797, 814, 835, 839;  
D30/112; D25/15  
CPC ..... A63H 37/00; A63B 71/022; A63B 5/11;  
A63B 6/00; E04H 15/50  
See application file for complete search history.

**OTHER PUBLICATIONS**

“Merax 12FT & 14FT Trampoline” Jul. 4, 2016, Amazon, site visited Oct. 20, 2022: <https://amzn.to/3CSy0XG> (Year: 2016).\*

(Continued)

*Primary Examiner* — Jack Reickel  
*Assistant Examiner* — Salamah Jordan

(56) **References Cited**

**U.S. PATENT DOCUMENTS**

5,785,616 A \* 7/1998 Dodge ..... A63B 63/083  
D570,947 S \* 6/2008 Horne ..... A63B 71/022  
D21/797  
D576,229 S \* 9/2008 VanElverdinghe ..... D21/672  
D630,285 S \* 1/2011 Hsiang ..... D21/797  
7,883,446 B2 \* 2/2011 Lovley, II ..... A63B 5/11  
8,012,066 B1 \* 9/2011 Hsiang ..... A63B 71/022  
D653,299 S \* 1/2012 Samuel ..... D21/797  
9,084,908 B1 \* 7/2015 Chen ..... A63B 5/11

(57) **CLAIM**

The ornamental design for a trampoline, as shown and described.

**DESCRIPTION**

FIG. 1 is a top perspective view of the trampoline;  
FIG. 2 is a bottom perspective view of FIG. 1;  
FIG. 3 is a right view of FIG. 1;  
FIG. 4 is a left view of FIG. 1;  
FIG. 5 is a rear view of FIG. 1;  
FIG. 6 is a front view of FIG. 1;  
FIG. 7 is a top view of FIG. 1; and,  
FIG. 8 is a bottom view of FIG. 1.  
The broken lines shown on the drawings depict portions of the trampoline that form no part of the claimed design.

**1 Claim, 8 Drawing Sheets**



(56)

**References Cited**

U.S. PATENT DOCUMENTS

2004/0107491 A1\* 6/2004 Publicover ..... E04H 4/108  
2006/0058123 A1\* 3/2006 Publicover ..... A63B 63/083  
2017/0203174 A1\* 7/2017 Chen ..... A63B 71/022  
2019/0009120 A1\* 1/2019 Ji ..... A63B 71/022  
2020/0368597 A1\* 11/2020 Colling ..... A63B 63/004  
2020/0384301 A1\* 12/2020 Zhou ..... A63B 71/022  
2020/0384338 A1\* 12/2020 Chen ..... A63B 71/023  
2021/0093939 A1\* 4/2021 Shirley-Smith ..... E04H 15/02  
2021/0228967 A1\* 7/2021 Mann ..... A63B 71/022

OTHER PUBLICATIONS

“Tatub 16FT 15FT 14FT 12FT 10FT Trampoline” May 29, 2021,  
Amazon, site visited Oct. 20, 2022: <https://amzn.to/3CJvxOY> (Year:  
2021).\*

“Basketball Kit Installtion” Jan. 30, 2019, Youtube, site visited Feb.  
25, 2023: [https://www.youtube.com/watch?v=EBvwuKL\\_wY0](https://www.youtube.com/watch?v=EBvwuKL_wY0) (Year:  
2019).\*

“Trampoline Accessory: Springfree FlexrHoop” Mar. 28, 2012,  
Youtube, site visited Feb. 25, 2023: [https://www.youtube.com/watch?  
v=8s7tyM1vMLU](https://www.youtube.com/watch?v=8s7tyM1vMLU) (Year: 2012).\*

\* cited by examiner

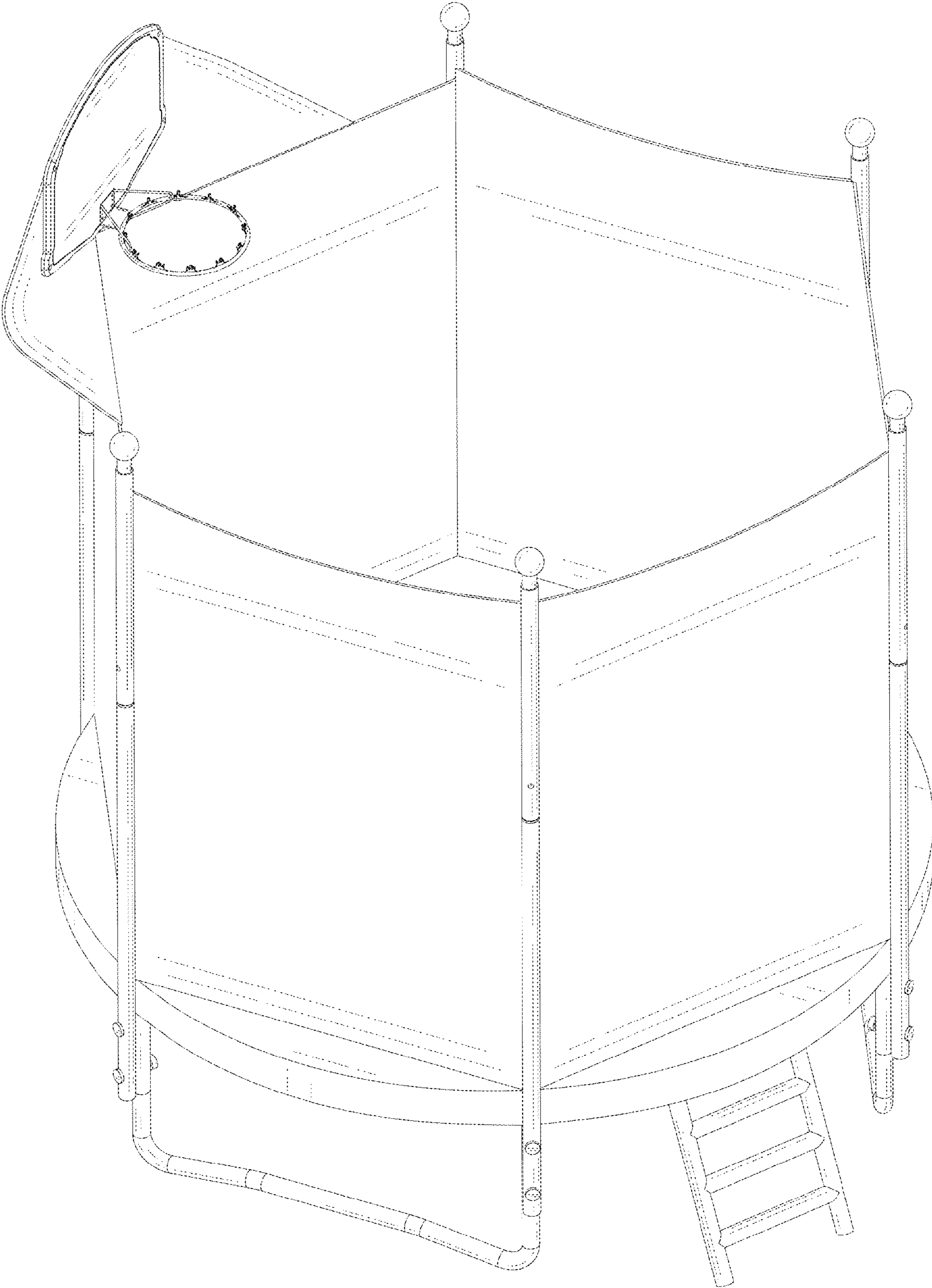


FIG. 1

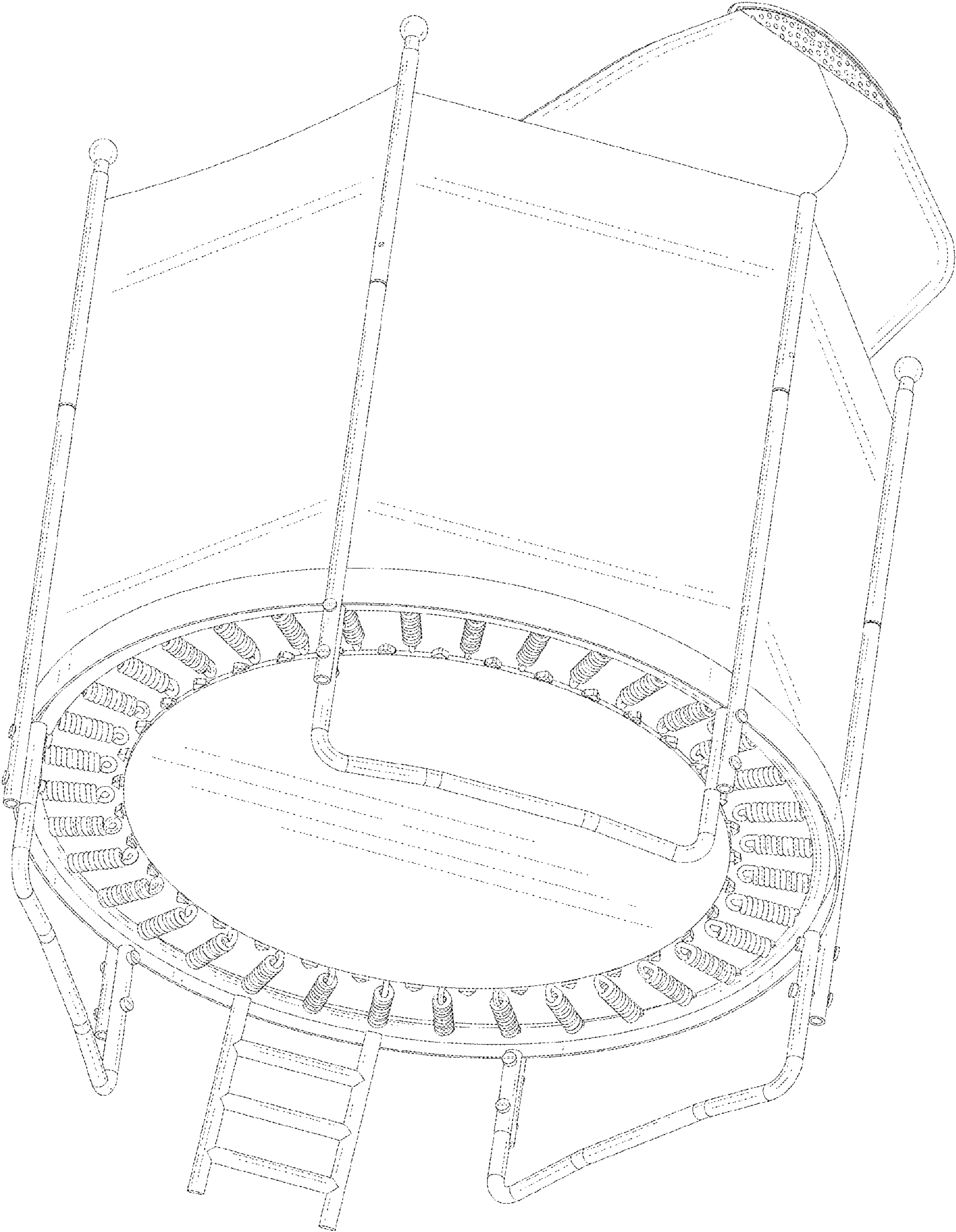


FIG. 2

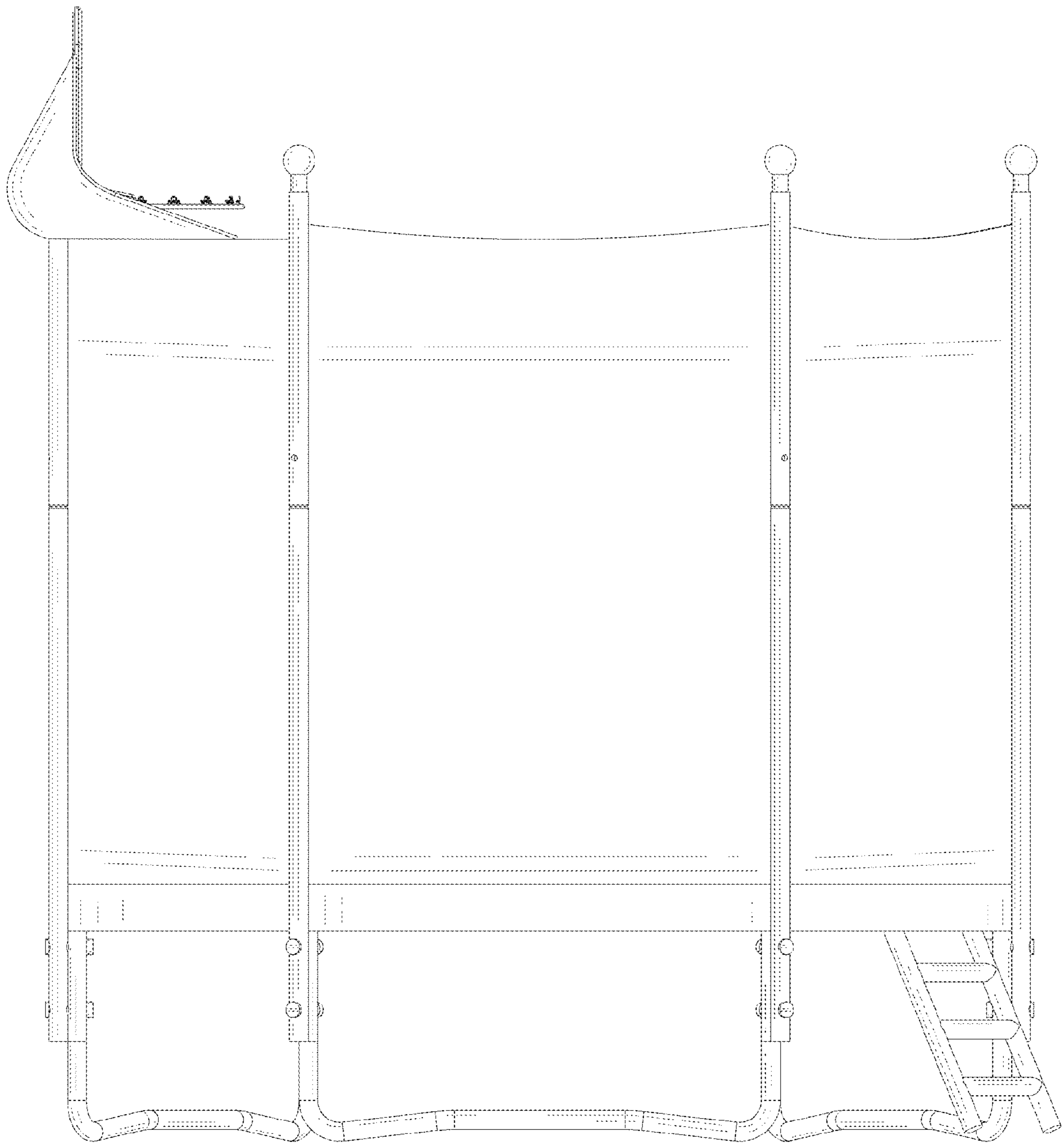


FIG. 3

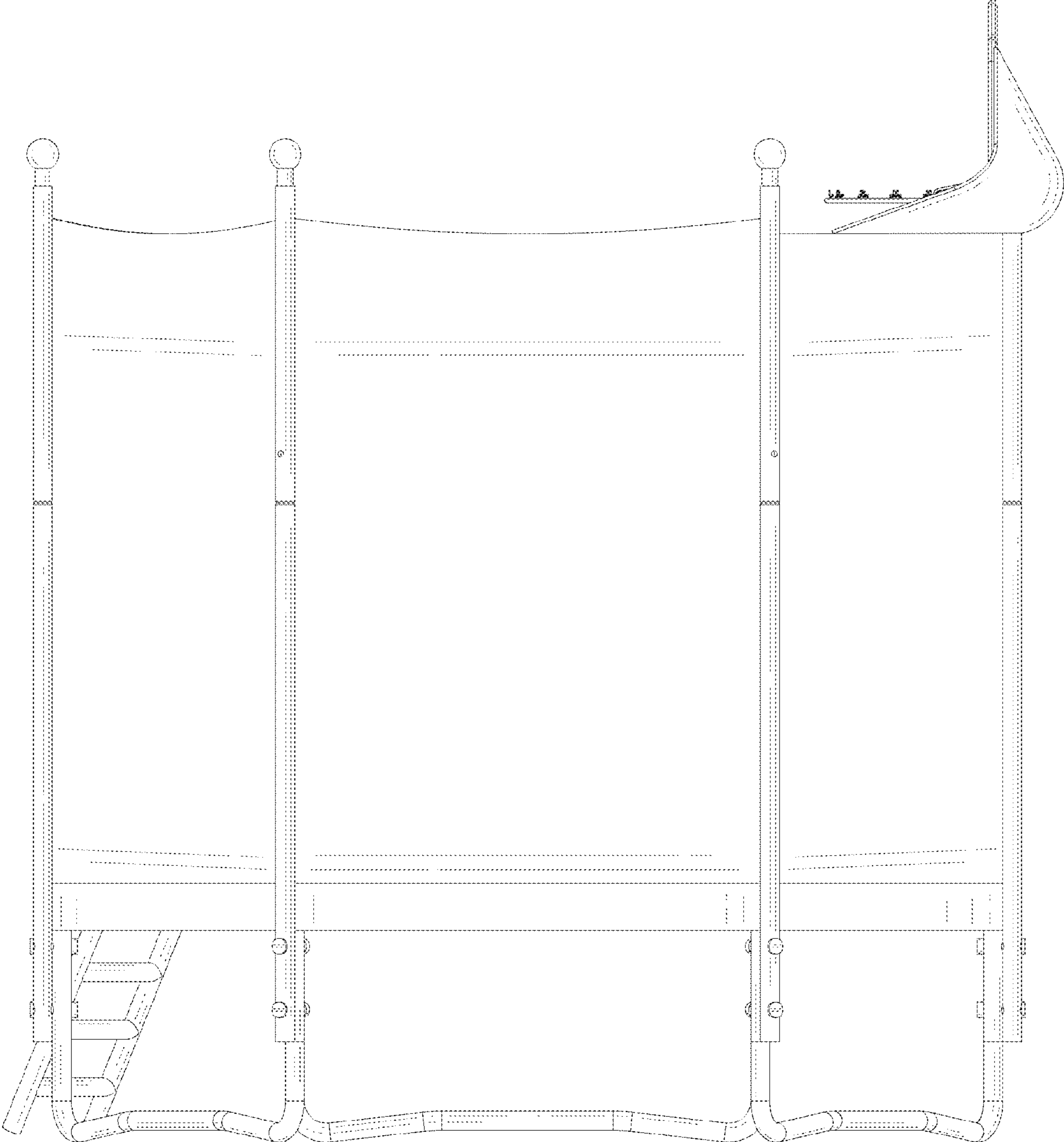


FIG. 4

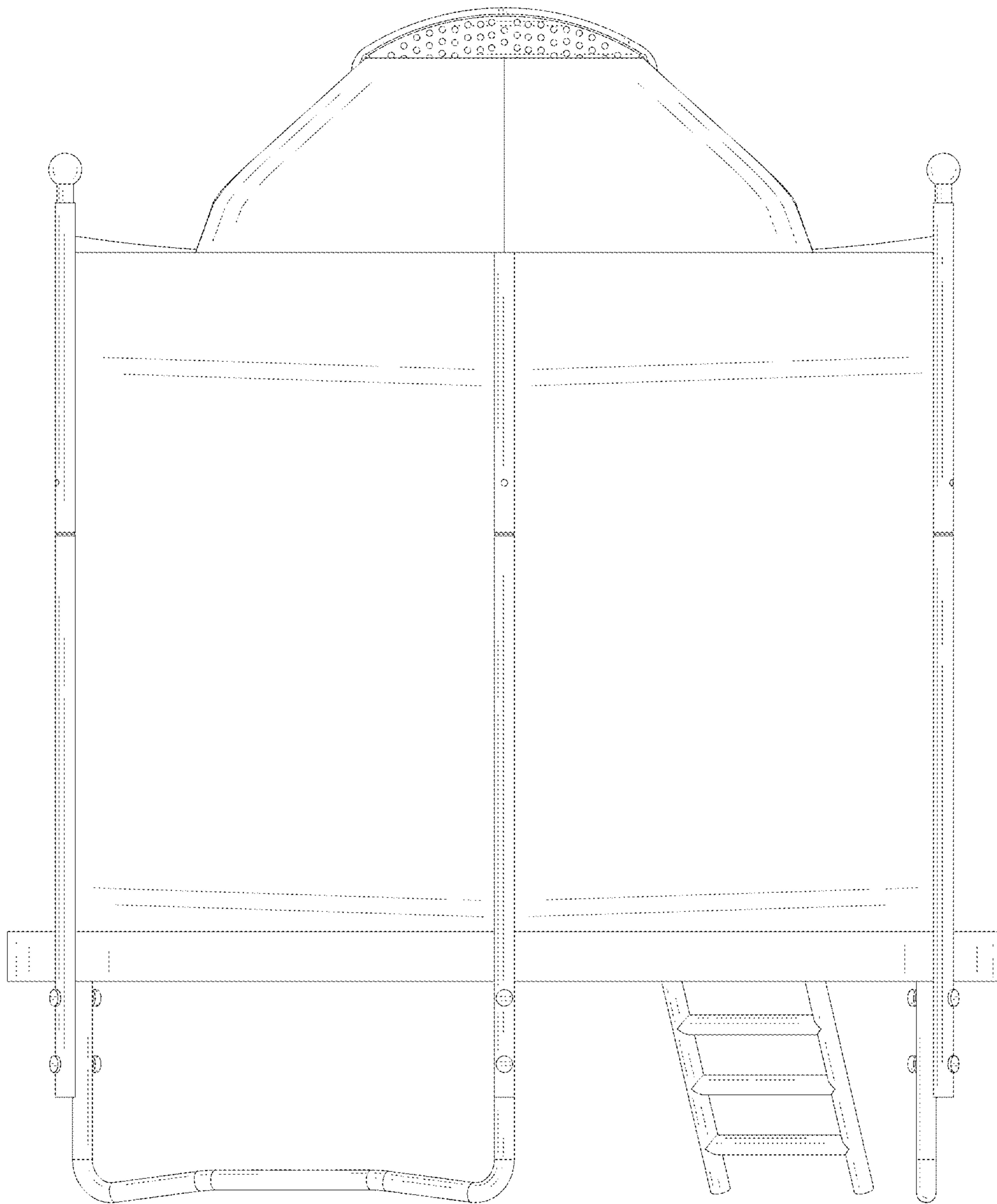


FIG. 5

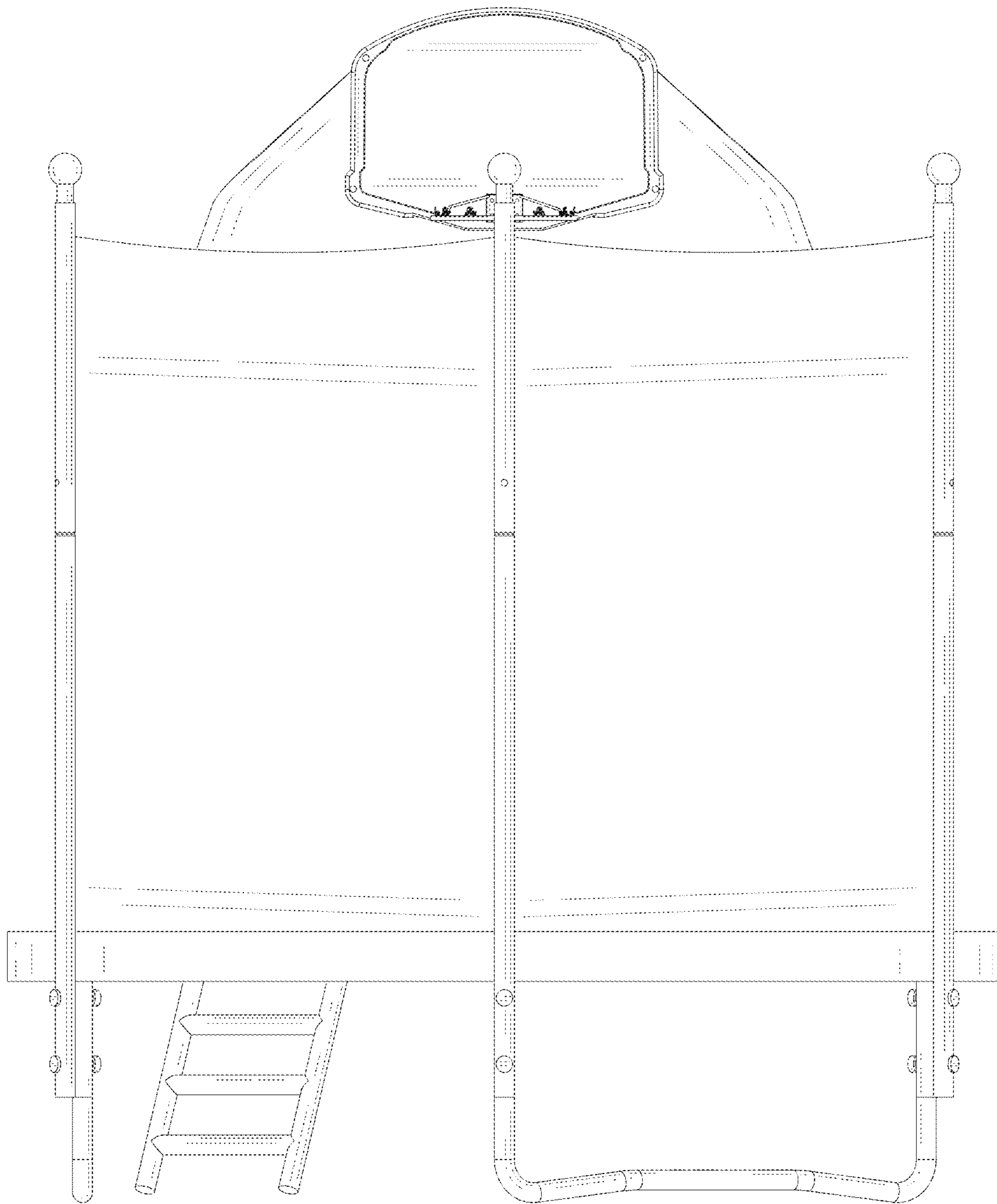


FIG. 6



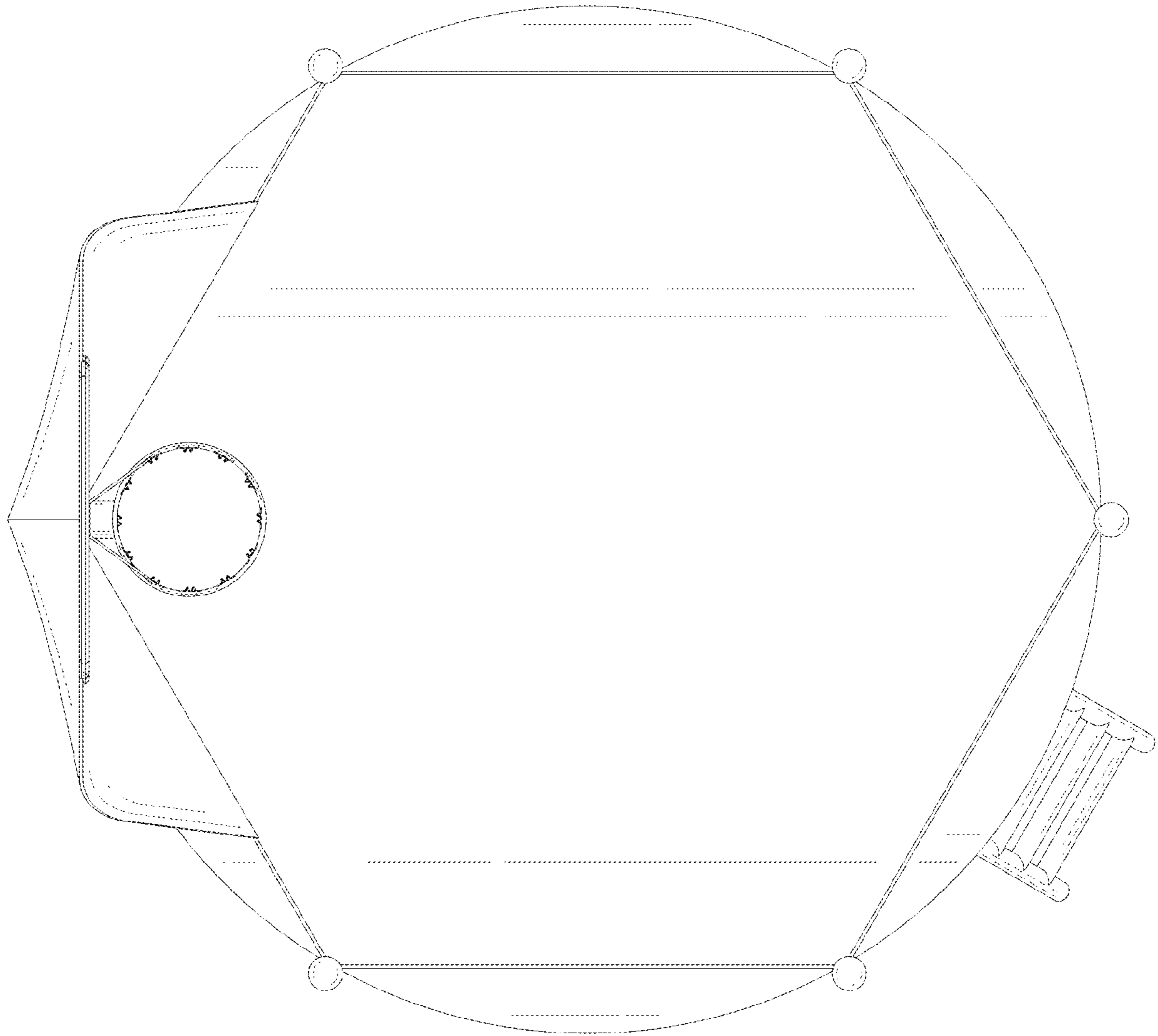


FIG. 7

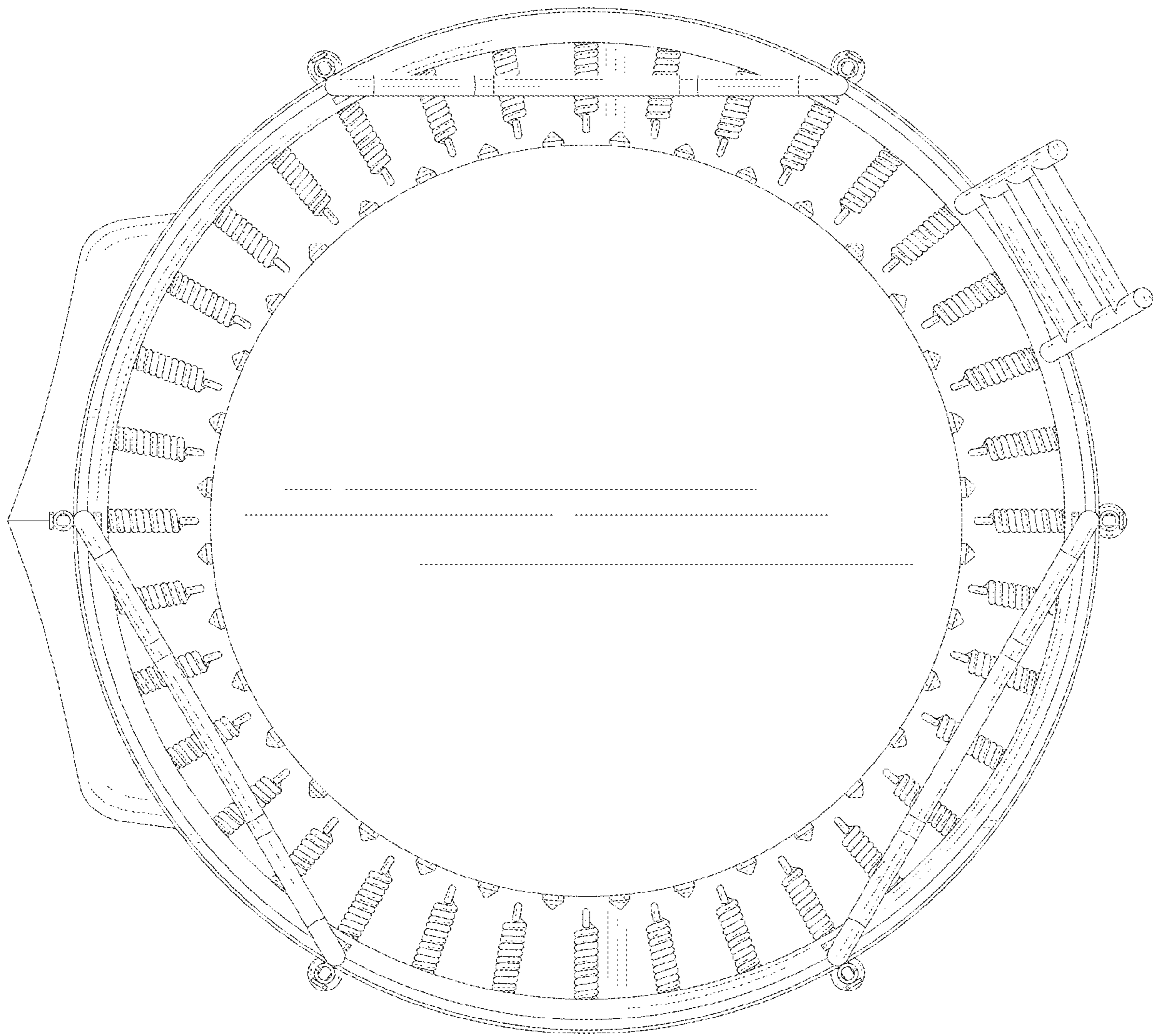


FIG. 8