



US00D989208S

(12) **United States Design Patent**
Yi

(10) **Patent No.:** **US D989,208 S**
(45) **Date of Patent:** **** Jun. 13, 2023**

(54) **ELECTRIC SURFBOARD**
(71) Applicant: **Shenzhen Feilun Technology Co., Ltd.**, Guangdong (CN)
(72) Inventor: **Xiaodan Yi**, Guangdong (CN)
(73) Assignee: **Shenzhen Feilun Technology Co., Ltd.**, Guangdong (CN)
(**) Term: **15 Years**
(21) Appl. No.: **29/863,728**
(22) Filed: **Dec. 21, 2022**

5,582,529 A * 12/1996 Montgomery B63B 32/10
441/74
D428,459 S * 7/2000 Broz D21/769
6,183,333 B1 * 2/2001 Hall A63H 13/045
441/74
D503,561 S * 4/2005 Sloan D21/769
7,901,261 B1 * 3/2011 Rosas Zarich B63B 32/77
441/74
D711,995 S * 8/2014 Hudson D21/769
10,035,570 B1 * 7/2018 Barron B63B 32/10
D834,668 S * 11/2018 Duff D21/769
D847,927 S * 5/2019 Duff D21/769
D882,010 S 4/2020 Vermillion
10,981,633 B2 * 4/2021 Lind B63B 32/40
D954,882 S * 6/2022 Guo D21/769
(Continued)

(30) **Foreign Application Priority Data**

Dec. 12, 2022 (EM) 015005962-0001

(51) **LOC (14) Cl.** **21-02**
(52) **U.S. Cl.**
USPC **D21/770**; D21/769; D12/307
(58) **Field of Classification Search**
USPC D21/769, 770, 801; D12/307; 441/65,
441/74
CPC B63H 21/17; B63B 32/10; B63B 32/45;
B63B 32/60; B63B 32/40; B63B 1/246;
B63B 32/50; B63B 32/73; B63B 34/10;
B63B 32/00; B63B 32/20; B60L 2200/32
See application file for complete search history.

(56) **References Cited**

U.S. PATENT DOCUMENTS

D204,334 S * 4/1966 Burress D21/770
D204,431 S * 4/1966 Glasgow D21/769
D215,505 S * 10/1969 Tierney D21/769
D289,031 S * 3/1987 Monostory D21/769
D296,576 S 7/1988 Gendron
4,857,025 A * 8/1989 Brown B63B 32/40
441/74
D323,691 S * 2/1992 Olson D21/770
D330,928 S * 11/1992 Sameshima D21/770

OTHER PUBLICATIONS

H5-F by Havospark dated no date given. Found online [Feb. 28, 2023] <https://store.havospark.com/products/h5-f>.*

Primary Examiner — Ryan Harvey
(74) *Attorney, Agent, or Firm* — ScienBiziP, P.C.

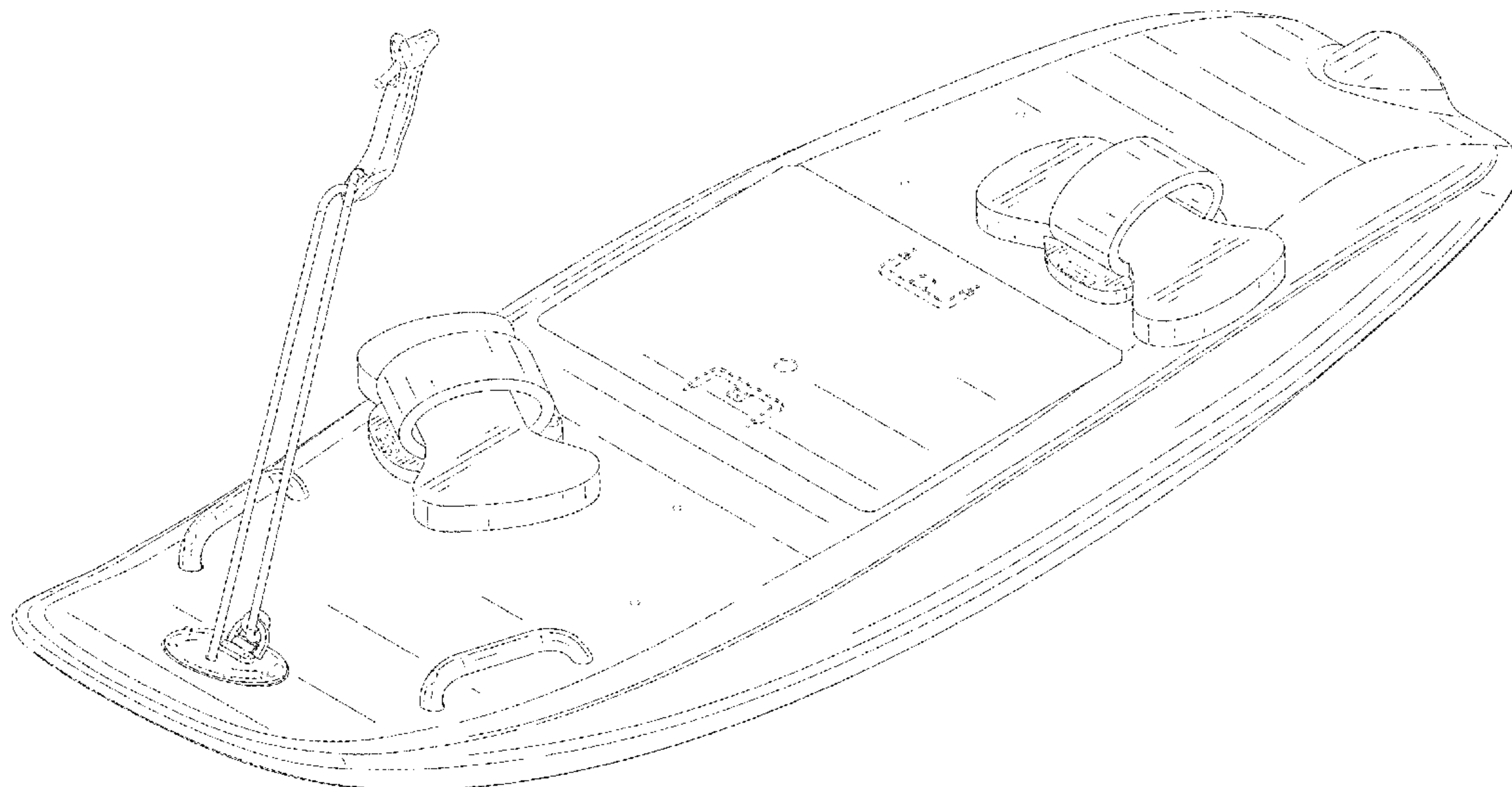
(57) **CLAIM**

The ornamental design for an electric surfboard, as shown and described.

DESCRIPTION

FIG. 1 is a front, right and top perspective view of an electric surfboard, showing my design.
FIG. 2 is a rear, left and bottom perspective view thereof.
FIG. 3 is a front elevation view thereof.
FIG. 4 is a rear elevation view thereof.
FIG. 5 is a left side elevation view thereof.
FIG. 6 is a right side elevation view thereof.
FIG. 7 is a top plan view thereof; and,
FIG. 8 is a bottom plan view thereof.
The broken lines depict portions of the electric surfboard that form no part of the claimed design.

1 Claim, 8 Drawing Sheets



(56)

References Cited

U.S. PATENT DOCUMENTS

11,383,797 B2 * 7/2022 Werner B63H 11/08
D967,317 S * 10/2022 Daszkowski D21/301
D975,222 S * 1/2023 Lewison D21/769
2006/0094310 A1 * 5/2006 Railey B63B 32/10
440/38
2007/0259578 A1 * 11/2007 Railey B63B 32/10
441/74
2007/0283865 A1 * 12/2007 Railey B63H 5/16
114/55.58
2008/0045096 A1 * 2/2008 Railey B63H 21/17
441/74
2008/0045097 A1 * 2/2008 Railey B63H 5/16
441/74
2010/0233920 A1 * 9/2010 Railey B63B 32/10
441/74
2011/0201238 A1 * 8/2011 Rott B63B 32/10
340/13.25
2013/0104787 A1 * 5/2013 Roman B63B 32/70
290/52
2014/0007802 A1 * 1/2014 Railey B63H 5/16
114/55.56
2016/0068239 A1 * 3/2016 Railey B63H 5/16
114/55.56
2018/0346078 A1 * 12/2018 Fry B63B 32/10
2021/0139114 A1 * 5/2021 Lee B63B 32/45
2022/0324538 A1 * 10/2022 Quendez B63B 79/40

* cited by examiner

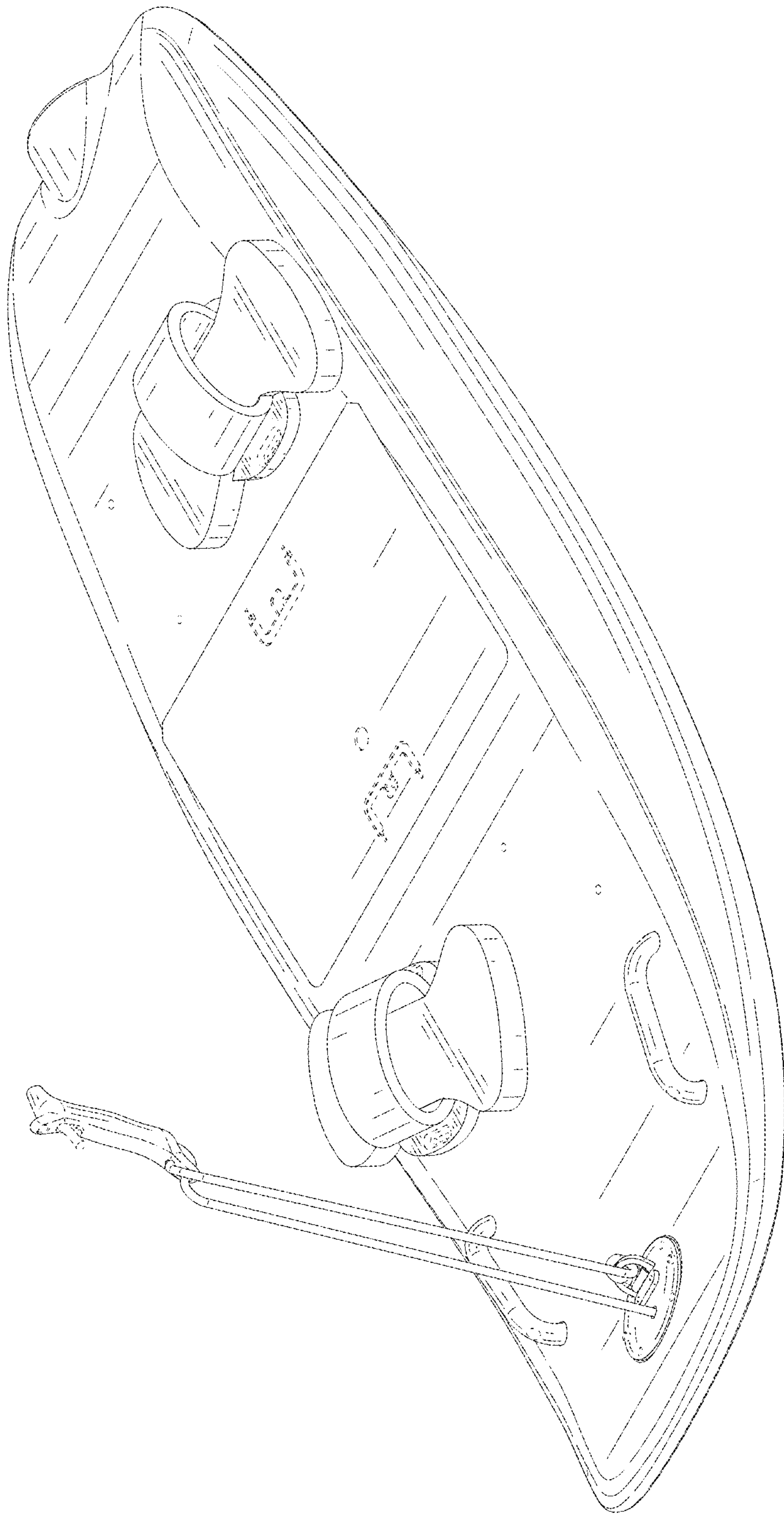


FIG. 1

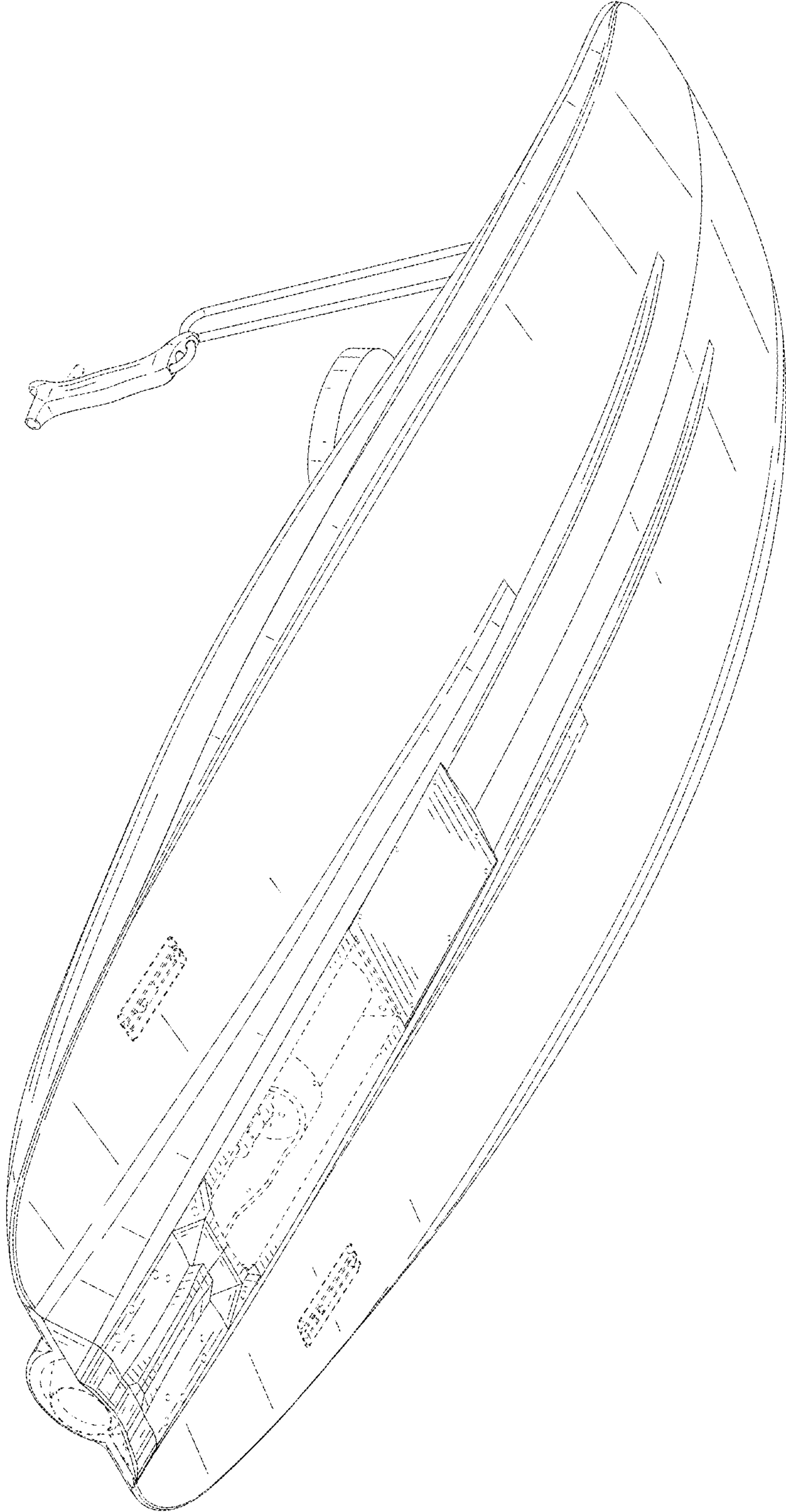


FIG. 2

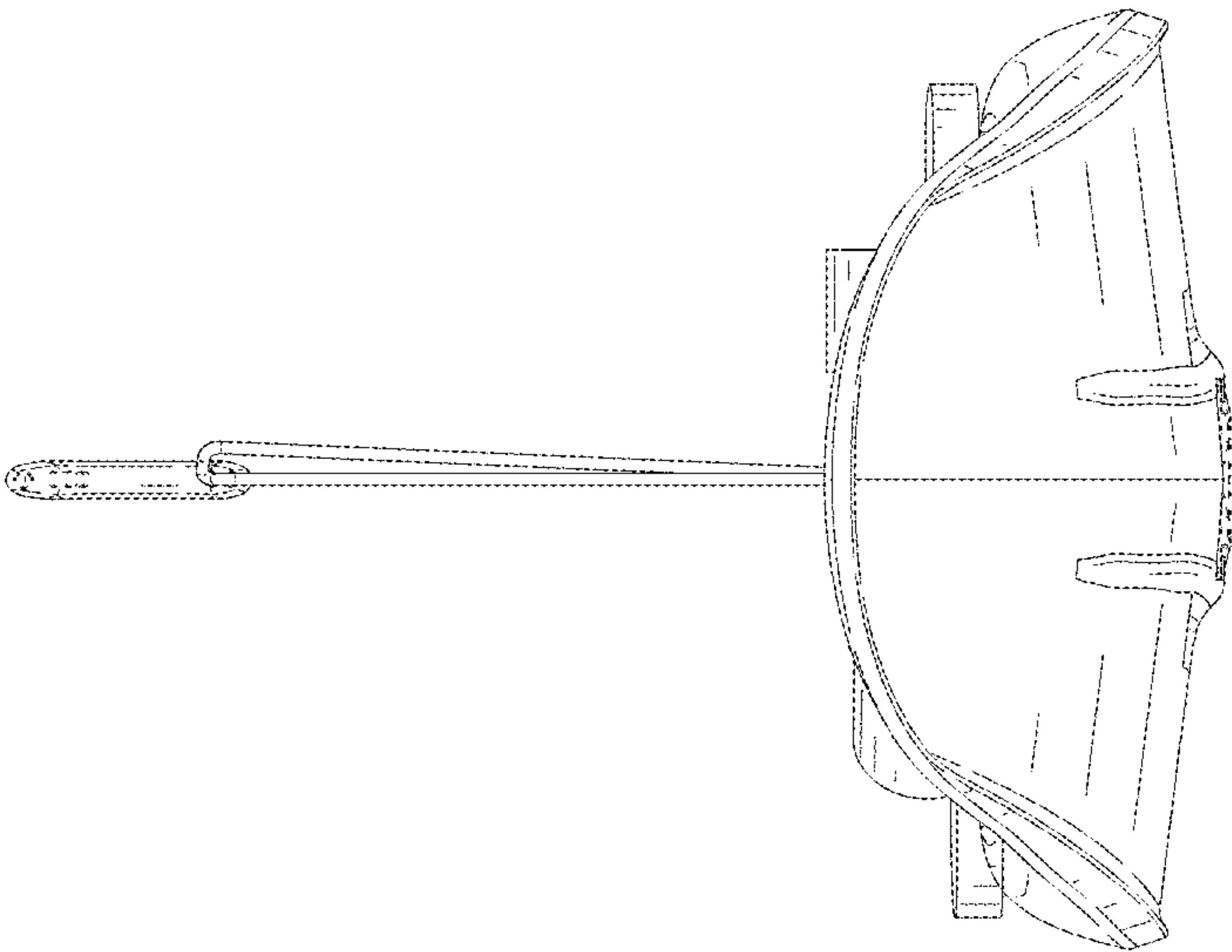


FIG. 3

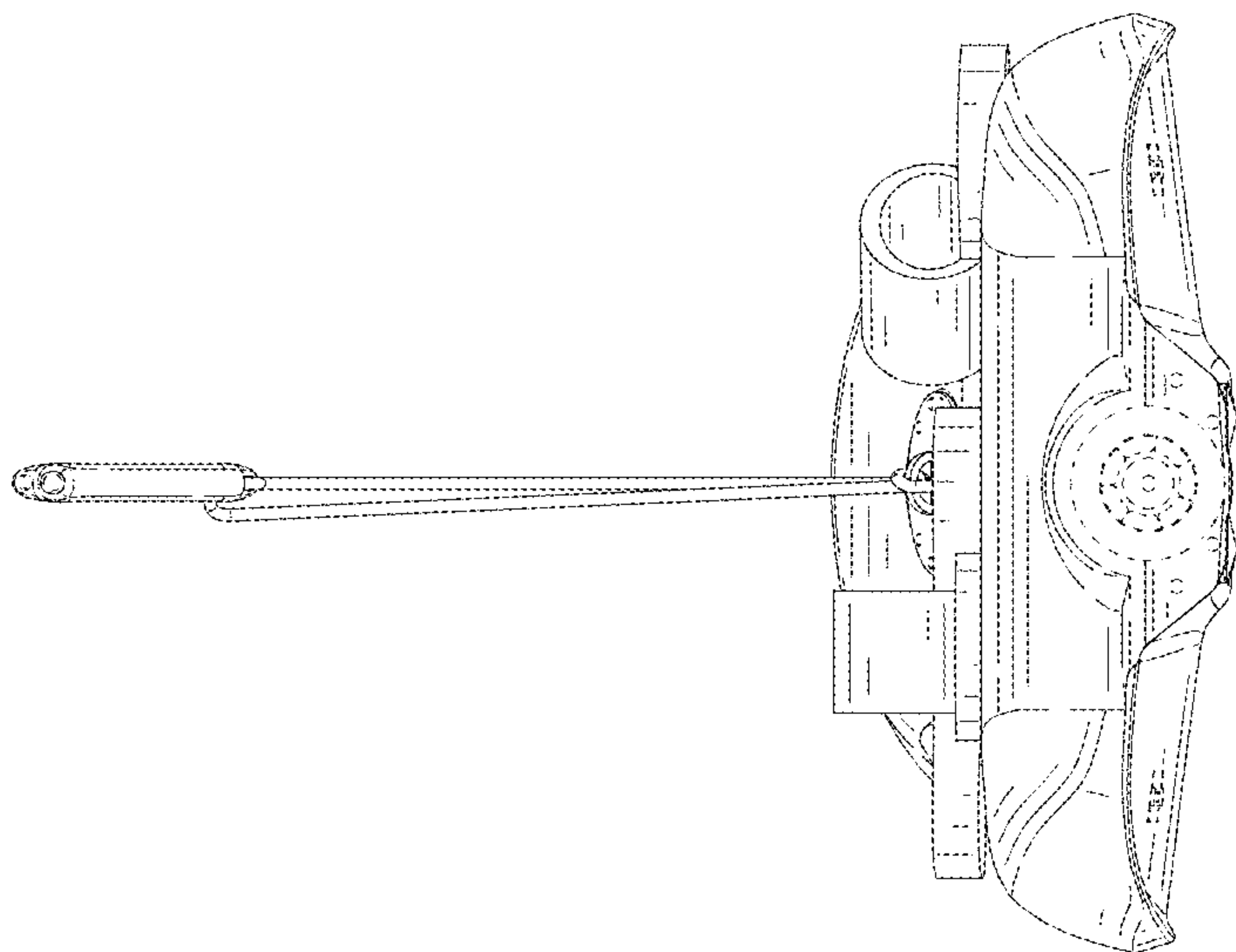


FIG. 4

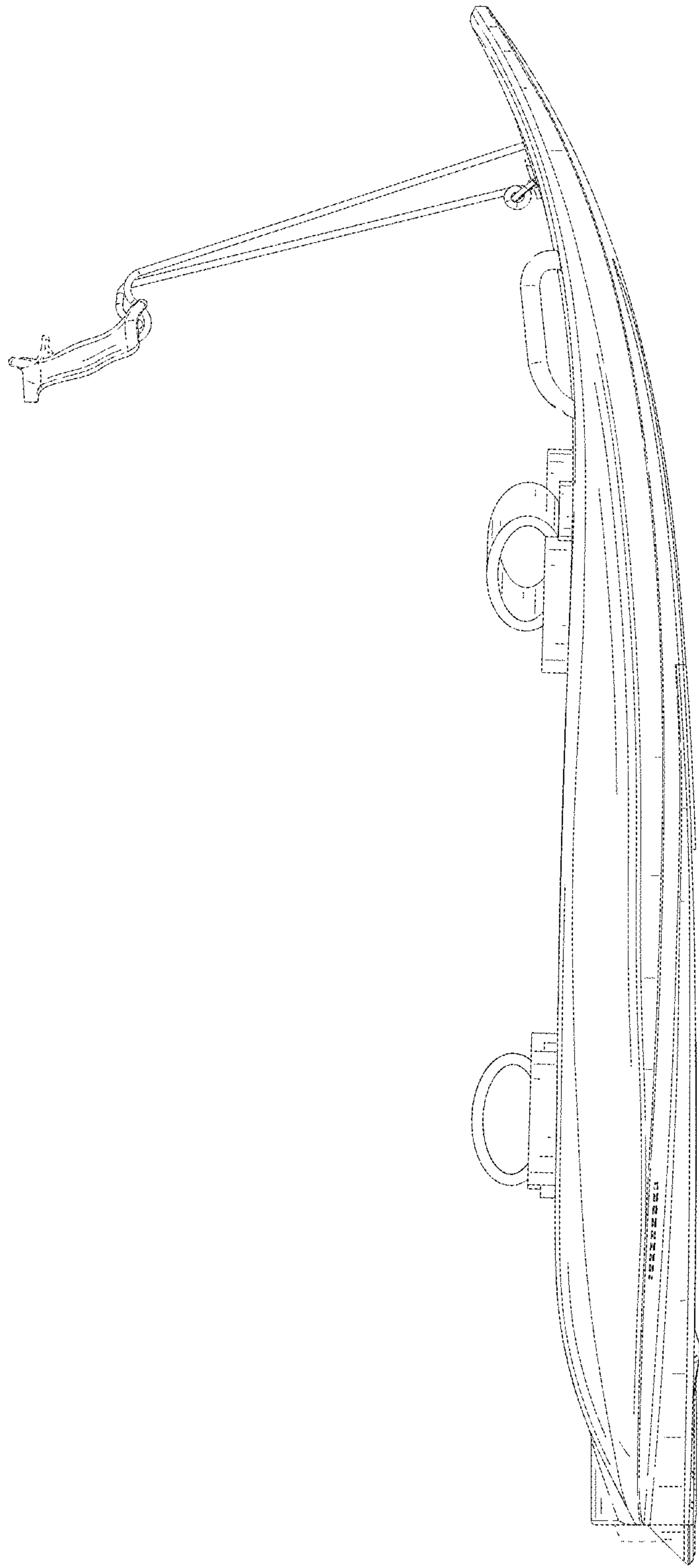


FIG. 5

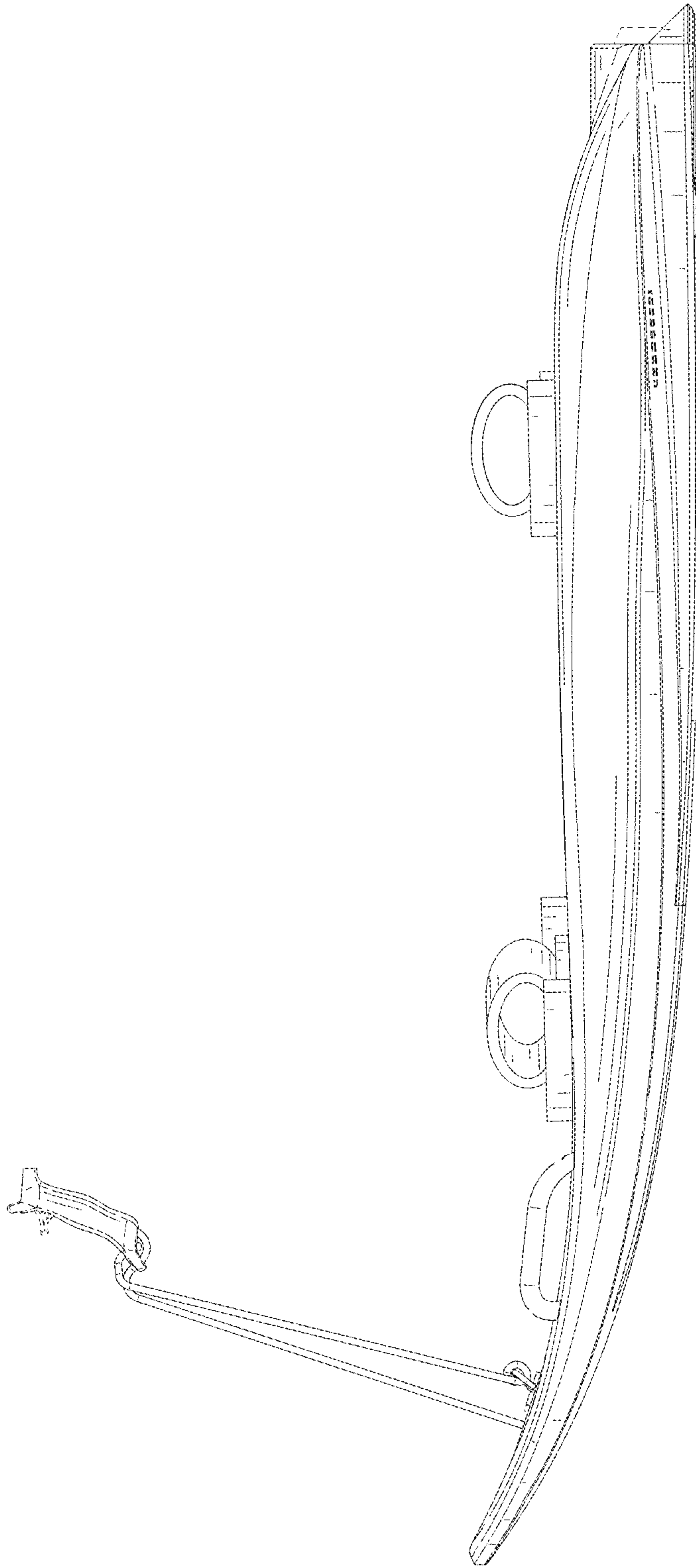


FIG. 6

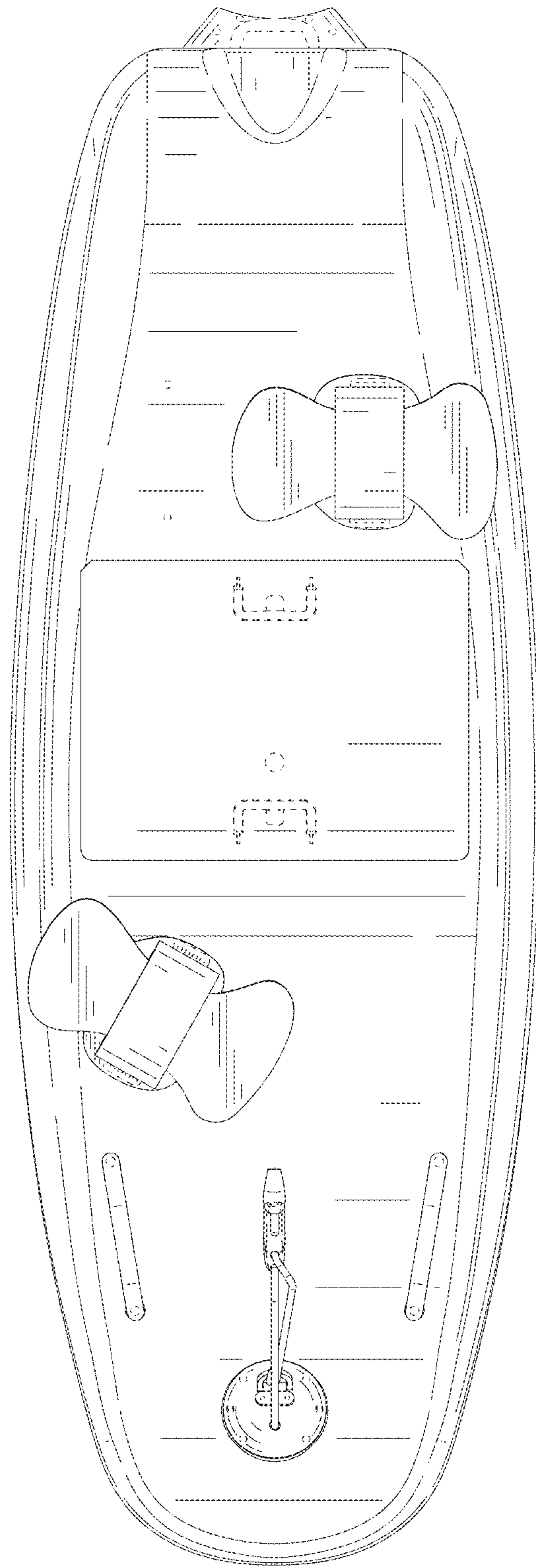


FIG. 7

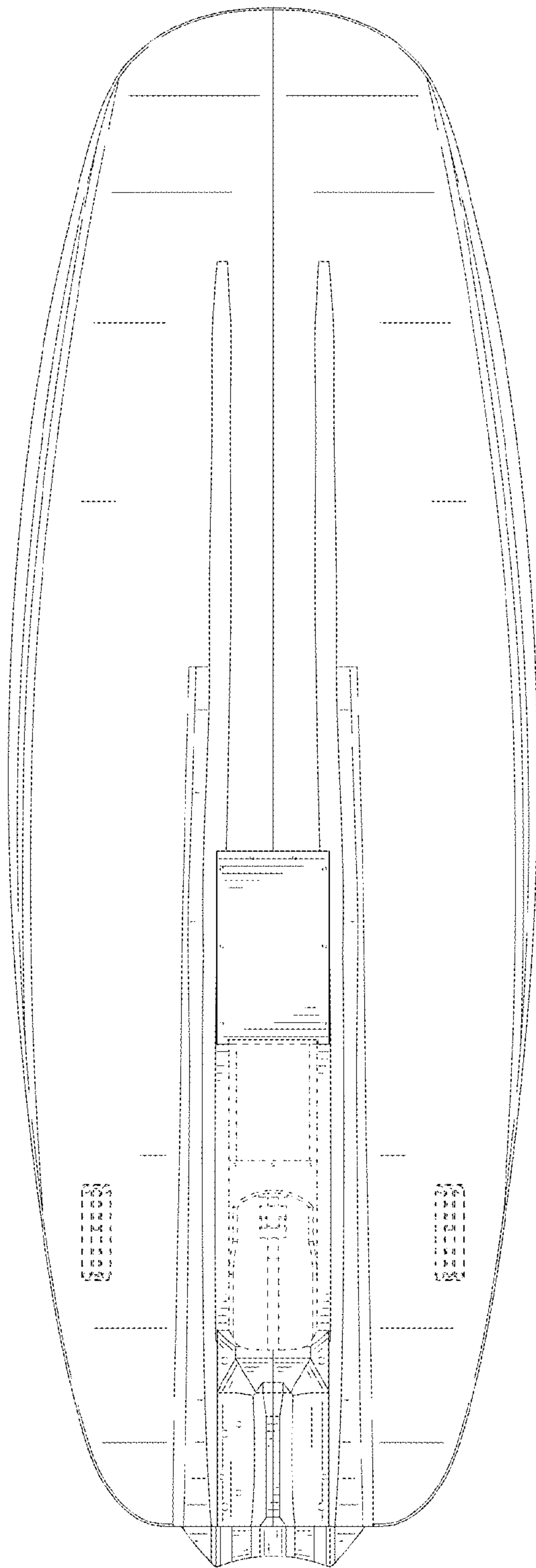


FIG. 8