



US00D989207S

(12) **United States Design Patent** (10) **Patent No.:** **US D989,207 S**  
**Lee et al.** (45) **Date of Patent:** **\*\* Jun. 13, 2023**

(54) **GOLF MAT**

D508,725 S \* 8/2005 Park ..... D21/792  
D508,971 S \* 8/2005 Park ..... D21/792  
D509,276 S \* 9/2005 Sear ..... D21/792

(71) Applicants: **Jae Soo Lee**, Federal Way, WA (US);  
**Sarah Cho**, Federal Way, WA (US)

(Continued)

(72) Inventors: **Jae Soo Lee**, Federal Way, WA (US);  
**Sarah Cho**, Federal Way, WA (US)

FOREIGN PATENT DOCUMENTS

WO 2019191533 A1 10/2019

(\*\*) Term: **15 Years**

OTHER PUBLICATIONS

(21) Appl. No.: **29/855,552**

Golf mat google search; google.com; Feb. 21, 2023.\*

(22) Filed: **Oct. 4, 2022**

*Primary Examiner* — Mitchell I. Siegel

(51) **LOC (14) Cl.** ..... **21-02**

(74) *Attorney, Agent, or Firm* — John K. Park; Park Law Firm

(52) **U.S. Cl.**

USPC ..... **D21/792**

(58) **Field of Classification Search**

USPC ..... D21/789, 791, 792; D6/582–594  
CPC ..... A63B 69/00; A63B 69/36; A63B 69/3623;  
A63B 69/3608; A63B 69/3658; A63B  
69/3661; A63B 69/3667; A63B 69/3691;  
A63B 69/3694

(57) **CLAIM**

The ornamental design for a golf mat, as shown and described.

See application file for complete search history.

**DESCRIPTION**

(56) **References Cited**

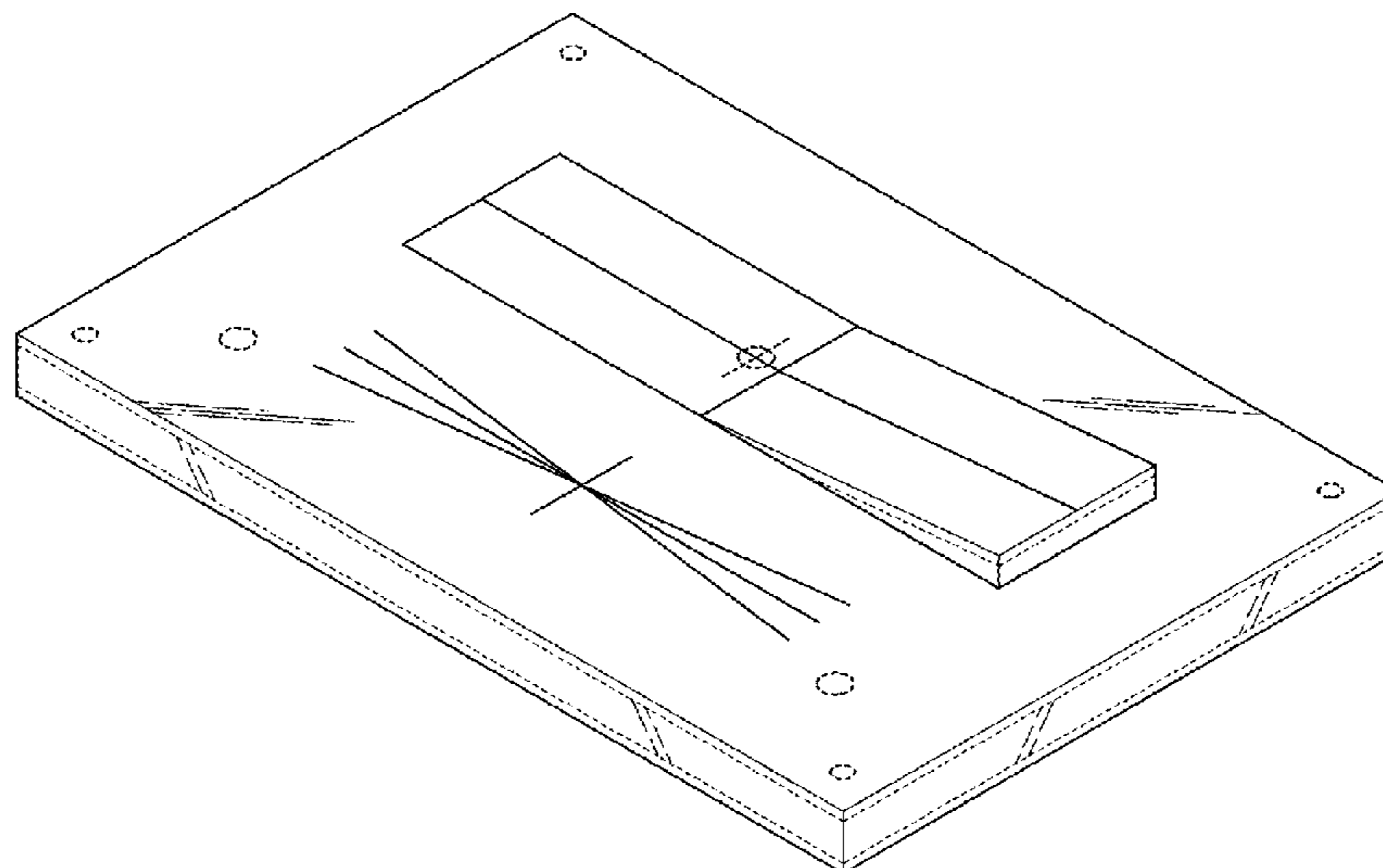
U.S. PATENT DOCUMENTS

D190,241 S \* 5/1961 Miller ..... D21/792  
3,599,982 A \* 8/1971 Elesh ..... A63B 69/3661  
473/278  
4,164,352 A \* 8/1979 O'Brien ..... A63B 69/3667  
473/218  
D275,413 S \* 9/1984 Shroads ..... D21/792  
5,004,243 A \* 4/1991 Dlouhy ..... A63B 69/3661  
473/279  
D335,696 S \* 5/1993 Byers ..... D21/792  
D353,864 S \* 12/1994 Thompson ..... D21/792  
D365,619 S \* 12/1995 Foster ..... D21/792  
5,590,882 A \* 1/1997 Todd ..... A63B 69/3608  
473/226  
6,386,996 B1 \* 5/2002 Foster ..... A63B 69/0002  
473/422  
6,485,374 B1 \* 11/2002 Myerscough ..... A63B 69/3623  
473/278  
D501,239 S \* 1/2005 Bodor ..... D21/792

FIG. 1 is a perspective view of the golf mat;  
FIG. 2 is a top plan view thereof;  
FIG. 3 is a bottom plan view thereof;  
FIG. 4 is a left side view thereof;  
FIG. 5 is a right side view thereof;  
FIG. 6 is a front view thereof;  
FIG. 7 is a rear view thereof;  
FIG. 8 is a perspective view of the golf mat that discloses the down blow impact zone in an alternate configuration;  
FIG. 9 is a top plan view thereof;  
FIG. 10 is a bottom plan view thereof;  
FIG. 11 is a left side view thereof;  
FIG. 12 is a right side view thereof;  
FIG. 13 is a front view thereof; and,  
FIG. 14 is a rear view thereof.

The broken lines shown on the drawings depict environmental subject matter that forms no part of the claimed design.

**1 Claim, 6 Drawing Sheets**



(56)

**References Cited**

U.S. PATENT DOCUMENTS

D509,873	S *	9/2005	Dias .....	D21/792
7,946,935	B2 *	5/2011	Hooper .....	A63B 69/3661
				264/479
D716,892	S *	11/2014	Schlosser .....	D21/792
8,998,738	B1 *	4/2015	Dillon .....	A63B 69/3667
				473/409
D735,494	S *	8/2015	Wendling .....	D6/583
10,052,543	B1	4/2018	Steele	
D860,366	S *	9/2019	Bailey .....	D21/792
D879,503	S *	3/2020	Fu .....	D6/582
10,828,546	B2 *	11/2020	Park .....	A63B 1/00
11,000,142	B2 *	5/2021	Girard .....	F21S 4/22
2003/0220152	A1	11/2003	Haskins	
2004/0185954	A1	9/2004	Kailage, Jr.	
2005/0096147	A1 *	5/2005	Schmidt .....	A63B 24/0003
				473/278
2007/0099717	A1 *	5/2007	McFarlin .....	A63B 69/3661
				473/278
2018/0326626	A1	11/2018	Gray et al.	
2019/0232144	A1 *	8/2019	Hooper .....	A63B 71/0054
2019/0374836	A1 *	12/2019	Park .....	A63B 1/00
2021/0331055	A1 *	10/2021	Lee .....	A63B 69/3661

\* cited by examiner

FIG. 1

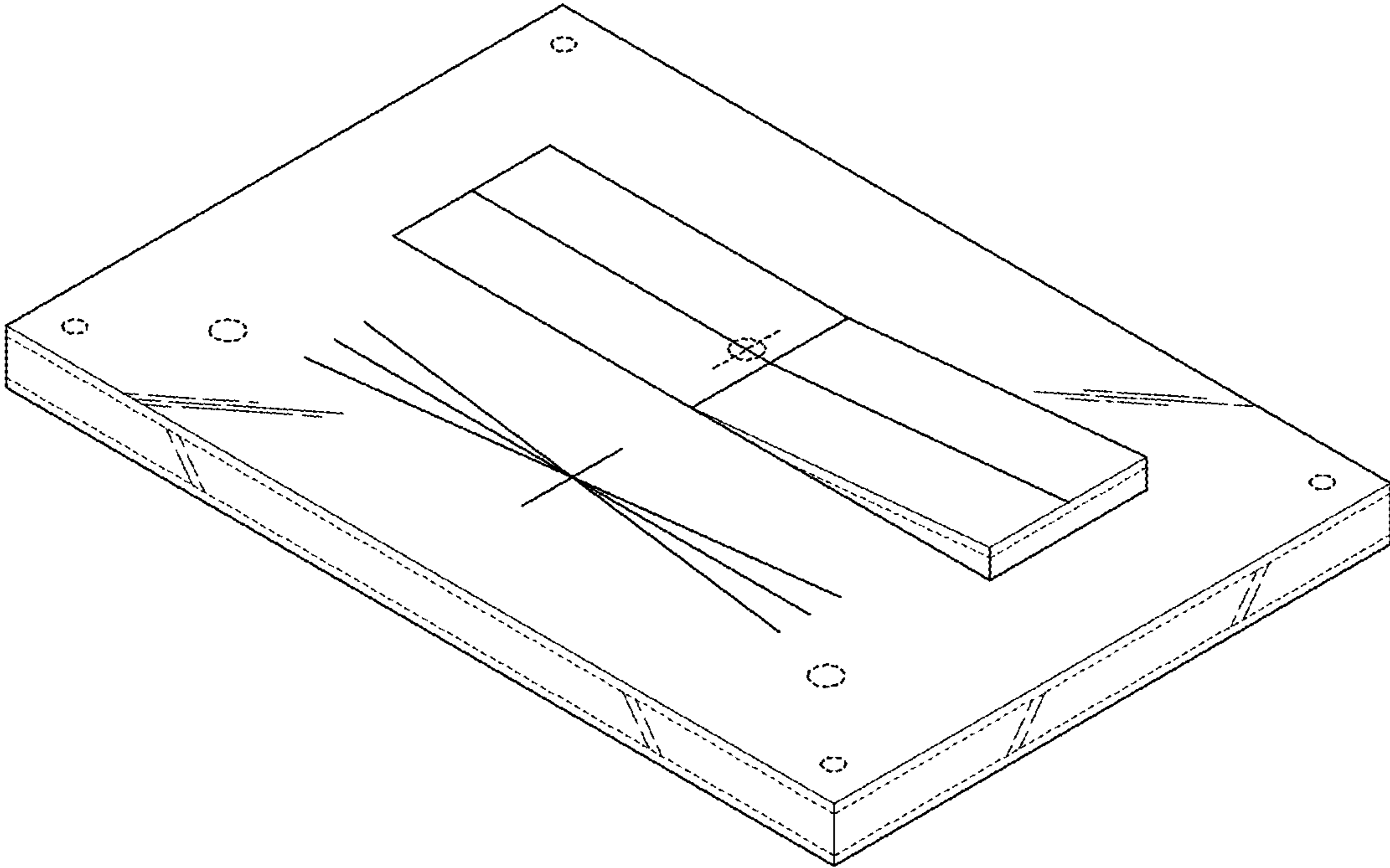


FIG. 2

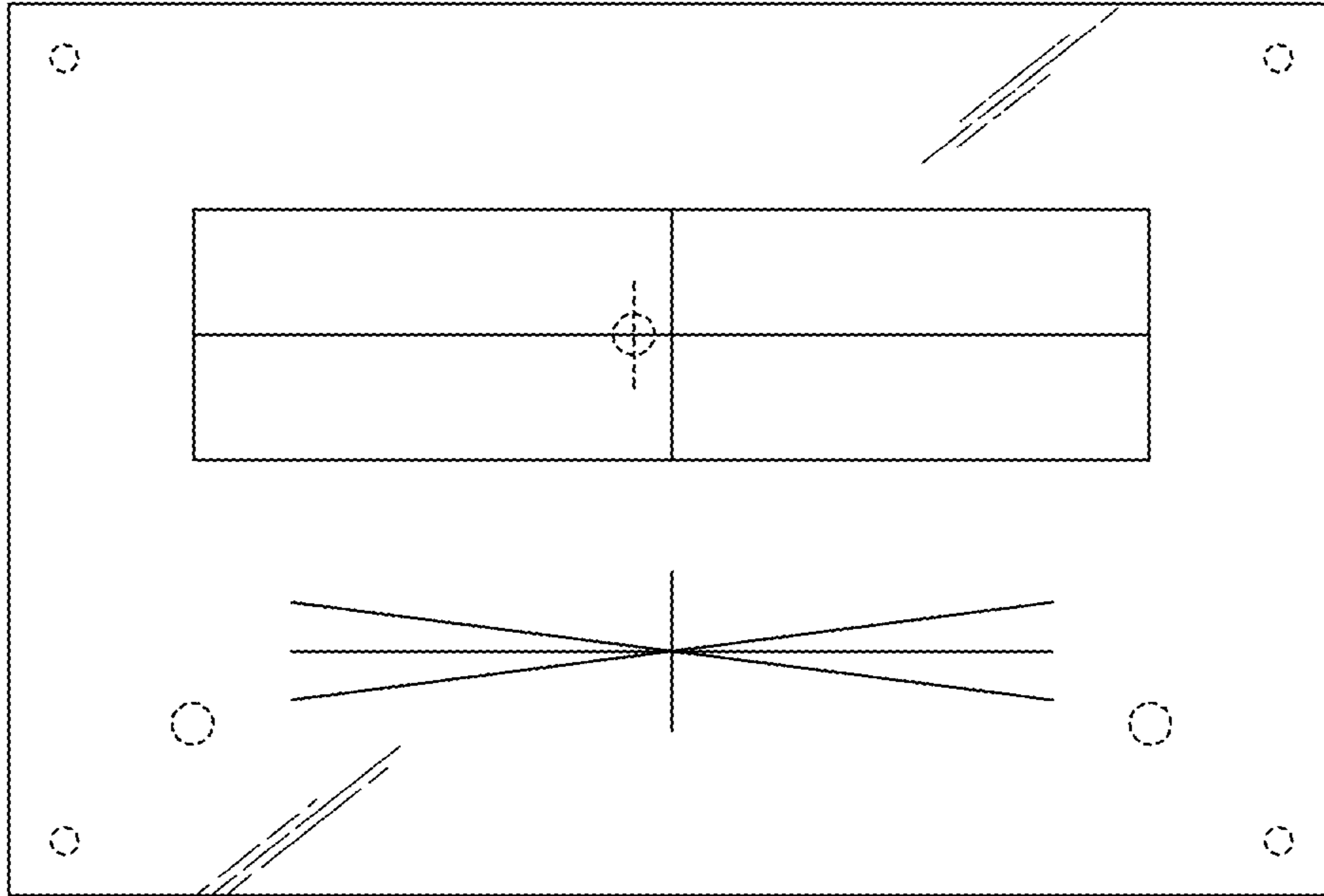


FIG. 3

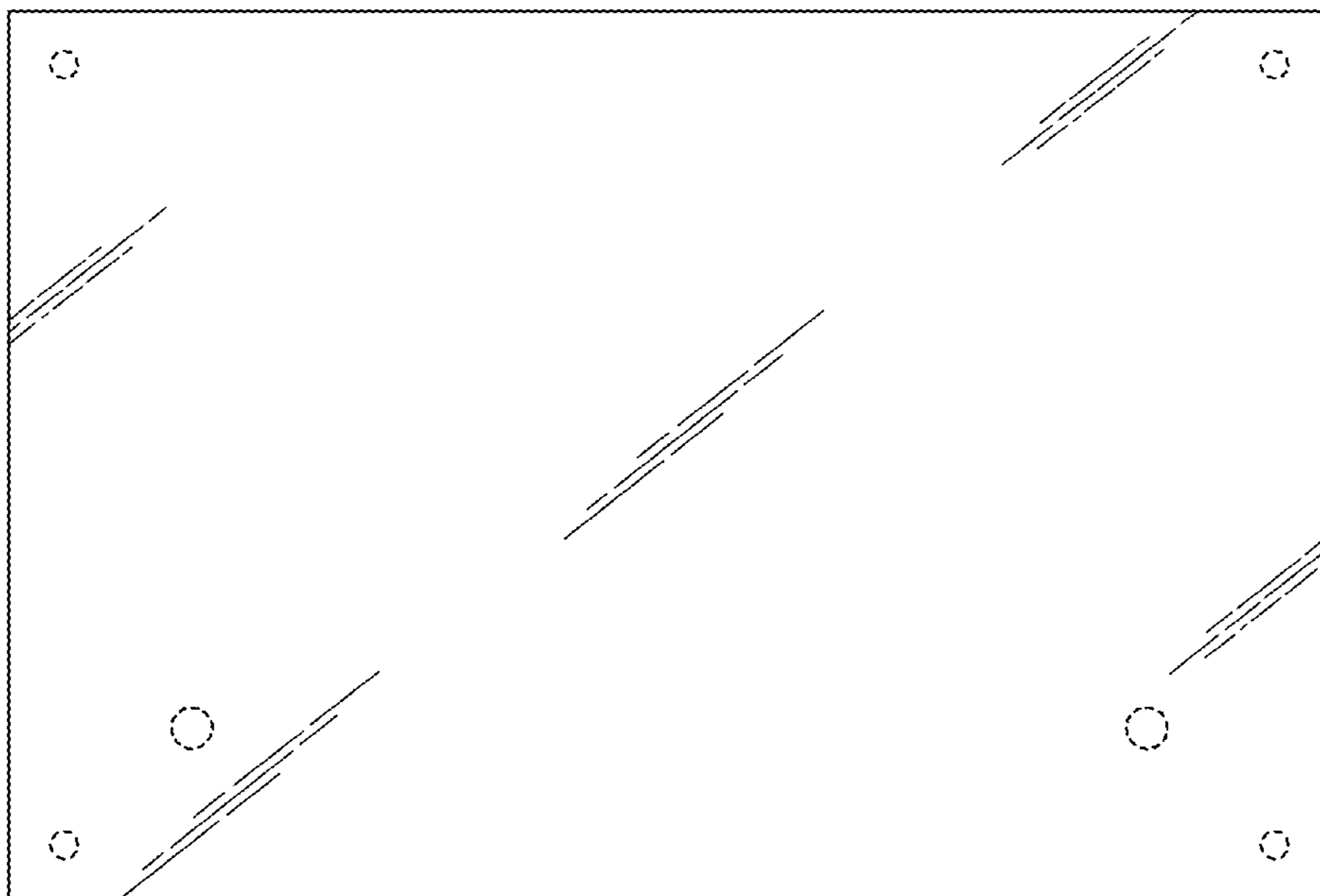


FIG. 4

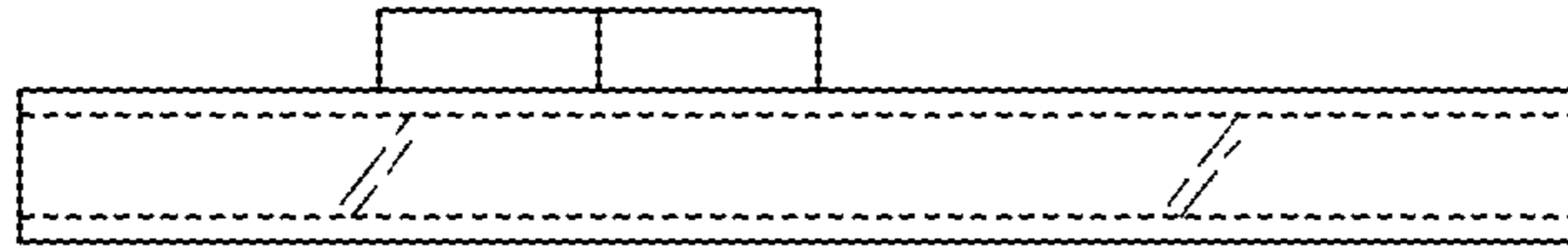


FIG. 5

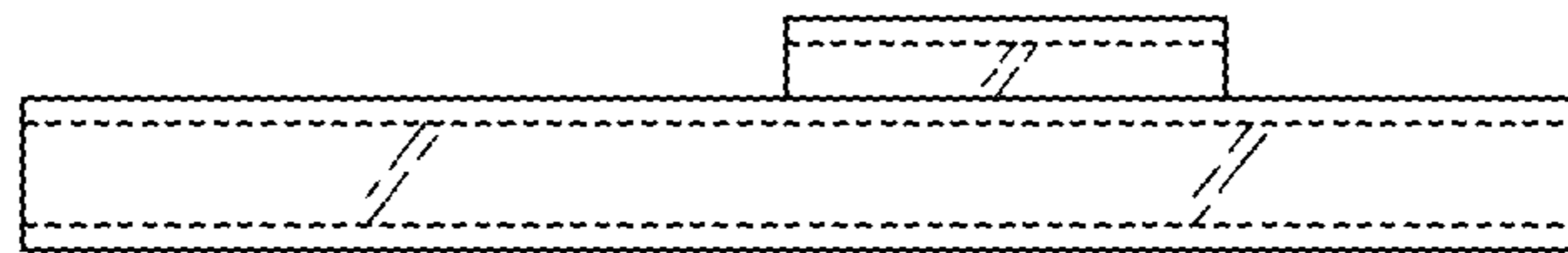


FIG. 6

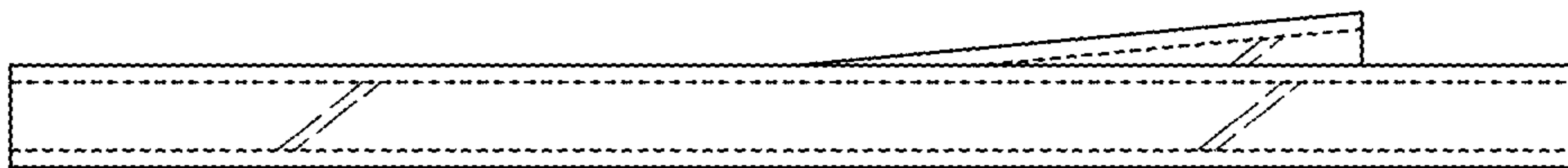


FIG. 7

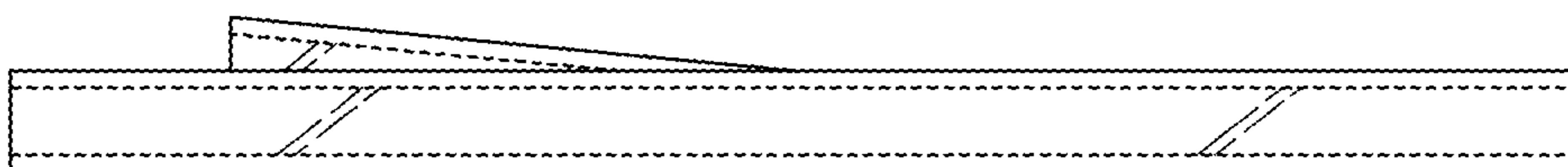


FIG. 8

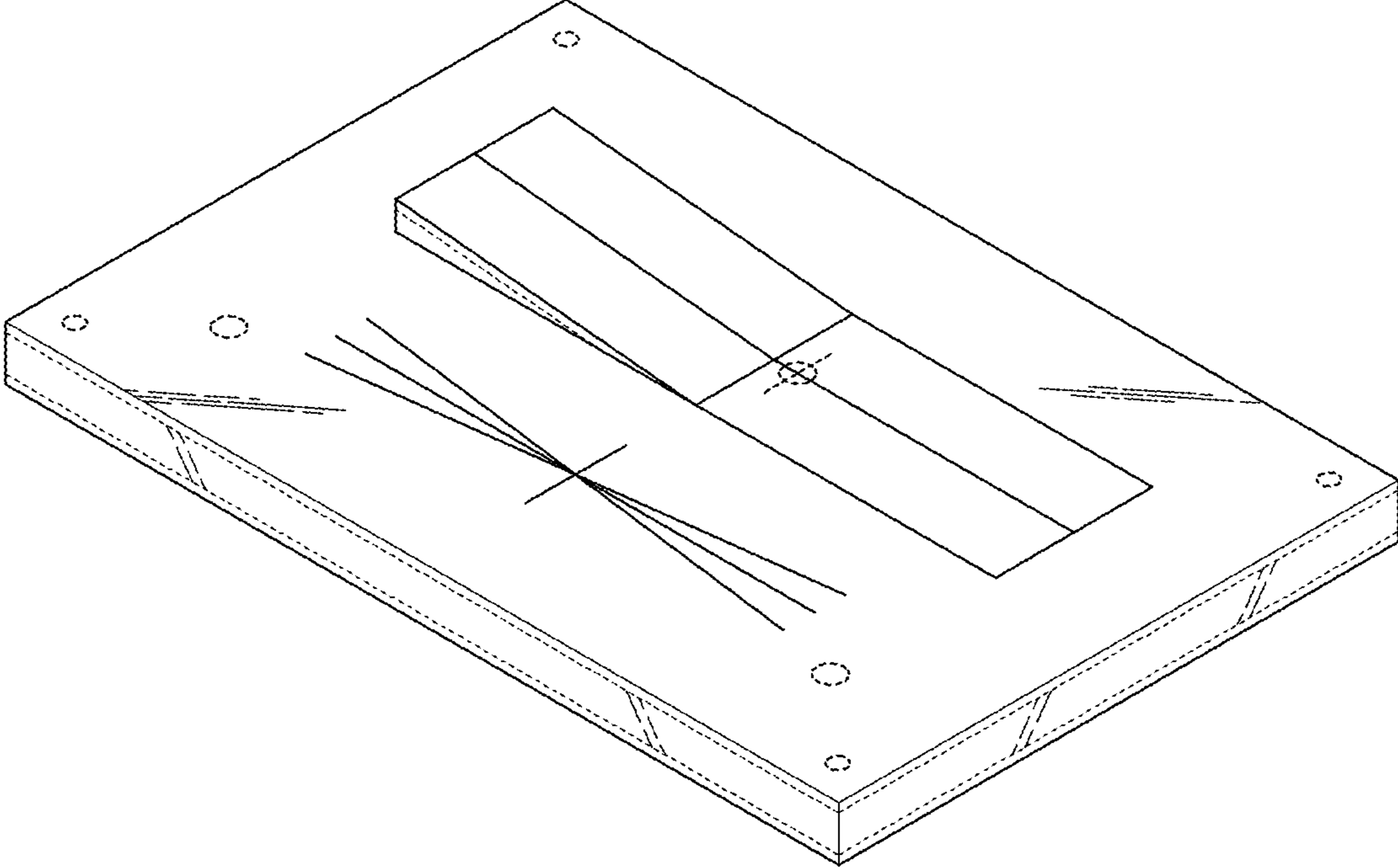


FIG. 9

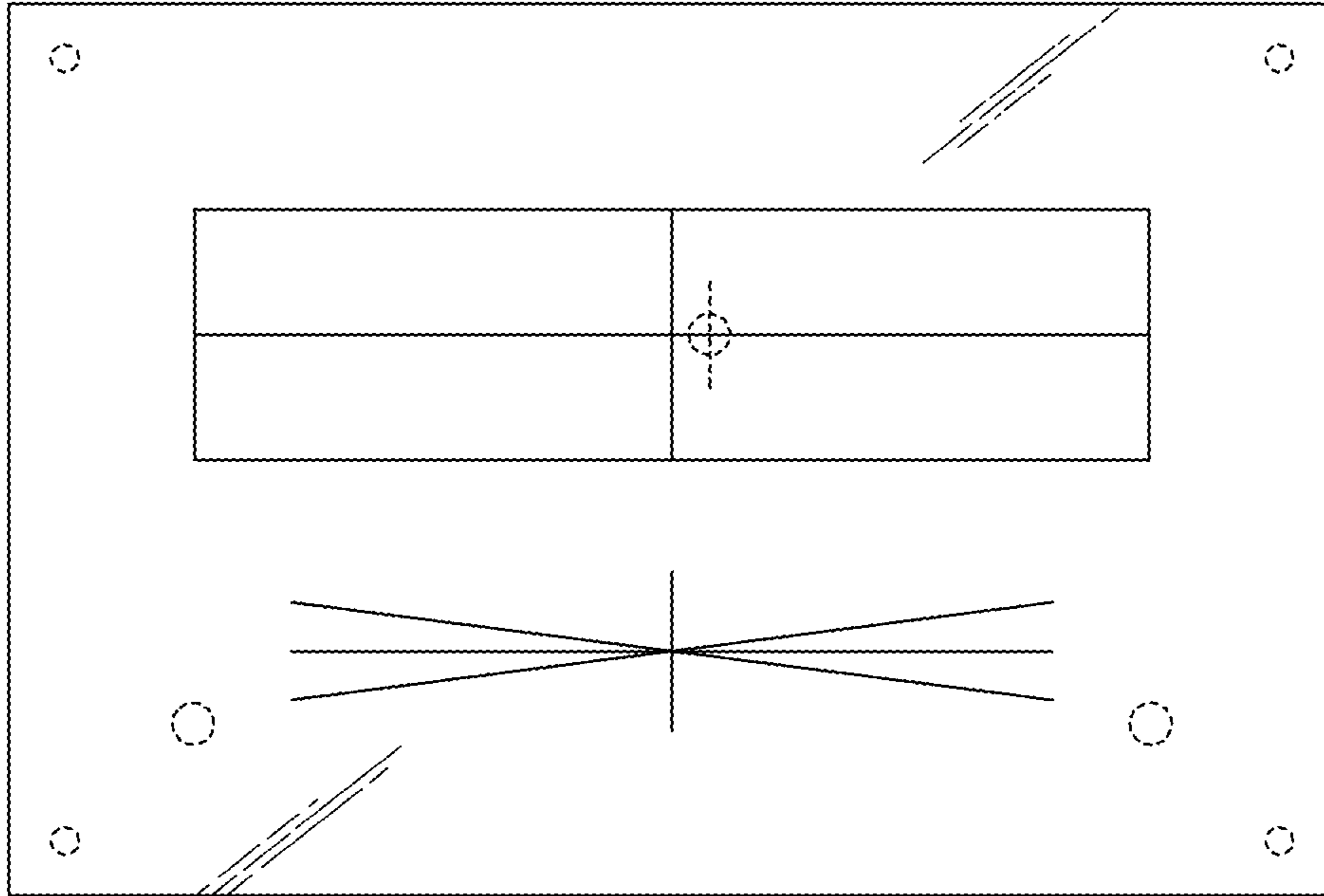


FIG. 10

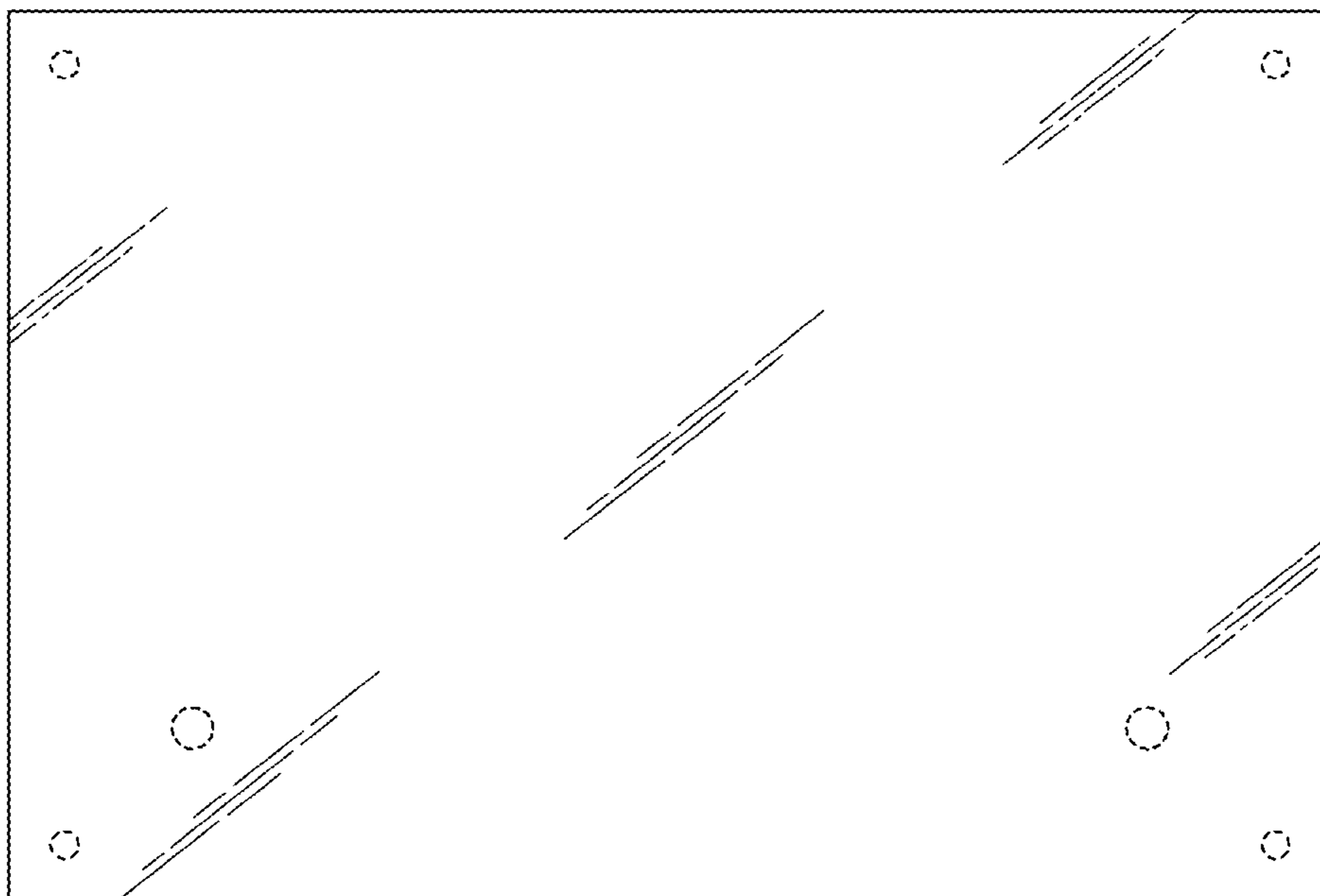


FIG. 11

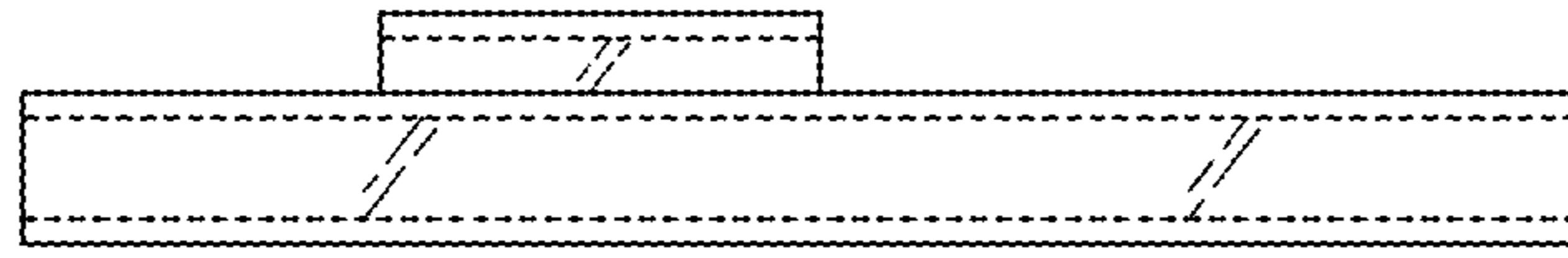


FIG. 12

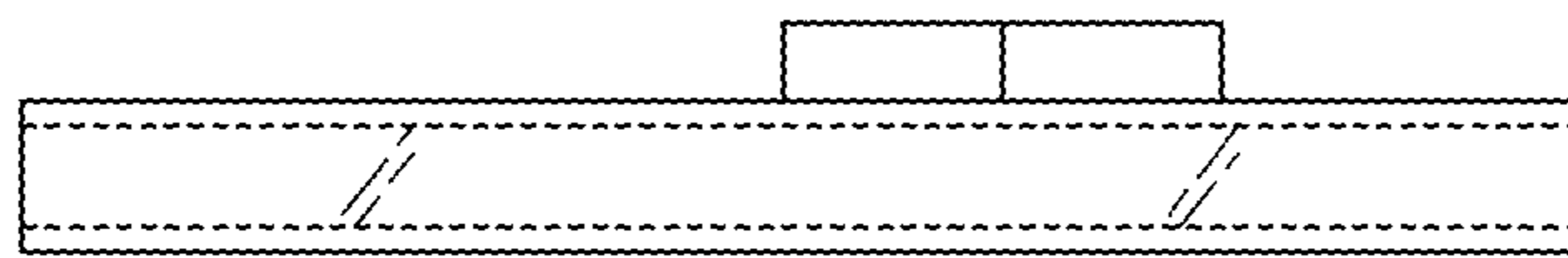


FIG. 13

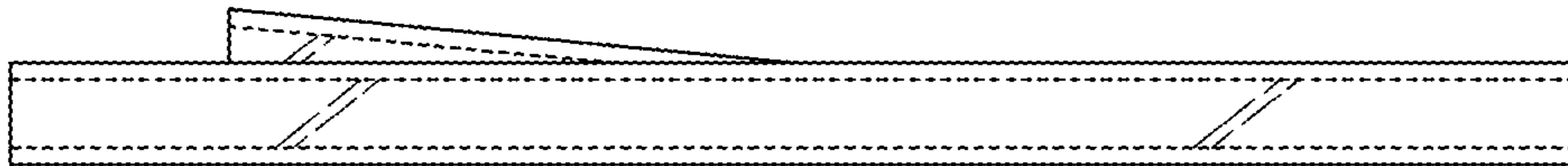


FIG. 14

