



US00D989205S

(12) **United States Design Patent**  
**Rodriguez**

(10) **Patent No.:** **US D989,205 S**  
(45) **Date of Patent:** **\*\* Jun. 13, 2023**

(54) **GOLF BALL RETRIEVER**  
(71) Applicant: **Luis Legarreta Rodriguez**, Mexico  
City (MX)  
(72) Inventor: **Luis Legarreta Rodriguez**, Mexico  
City (MX)  
(\*\*) Term: **15 Years**  
(21) Appl. No.: **35/513,947**  
(22) Filed: **Feb. 25, 2022**

2002/0141812 A1\* 10/2002 Edelen ..... F16M 11/046  
403/109.1  
2005/0077741 A1\* 4/2005 Light ..... A63B 57/00  
294/19.2  
2006/0091682 A1\* 5/2006 Kerr ..... A63B 47/02  
294/19.2  
2007/0259731 A1\* 11/2007 Barouh ..... A63B 60/00  
473/285  
2008/0191503 A1\* 8/2008 Spacone ..... A63B 47/02  
294/19.2  
2011/0049919 A1\* 3/2011 Ballard ..... A63B 47/02  
294/19.2  
2014/0035303 A1\* 2/2014 Nihra ..... A63B 47/02  
294/19.2

(Continued)

(80) **Hague Agreement Data**

Int. Filing Date: **Feb. 25, 2022**  
Int. Reg. No.: **DM/219717**  
Int. Reg. Date: **Feb. 25, 2022**  
Int. Reg. Pub. Date: **Apr. 1, 2022**

FOREIGN PATENT DOCUMENTS

WO D219717-001 \* 2/2022  
*Primary Examiner* — Michael C Stout  
*Assistant Examiner* — Melvin L Davis

(51) **LOC (14) Cl.** ..... **21-02**

(52) **U.S. Cl.**  
USPC ..... **D21/721**

(58) **Field of Classification Search**  
USPC ..... D21/720–721, 791, 793, 796  
CPC ..... A63B 47/02  
See application file for complete search history.

(57) **CLAIM**

The ornamental design for a golf ball retriever, as shown and described.

**DESCRIPTION**

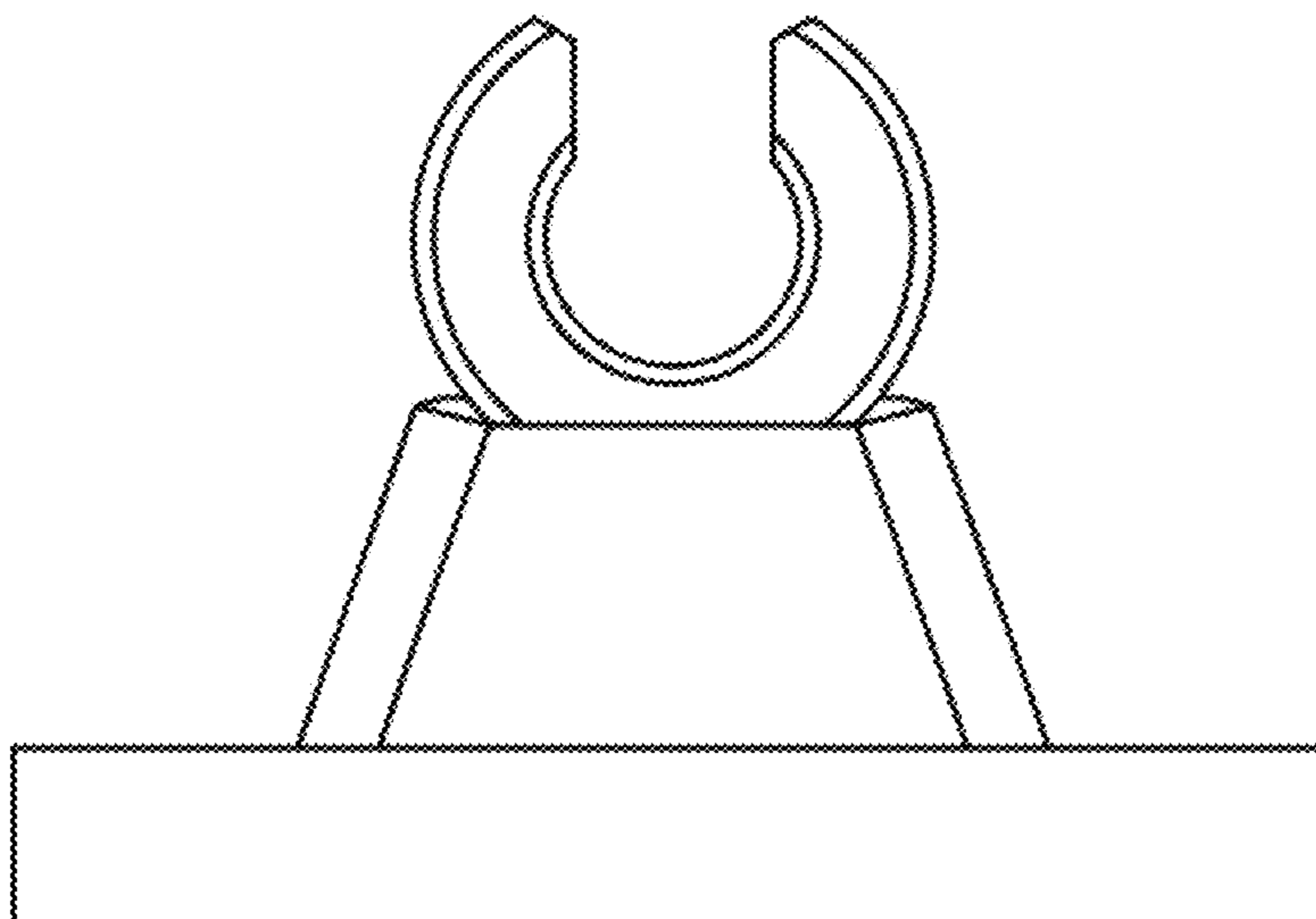
1. Golf ball retriever  
**1.1** : Front  
**1.2** : Back  
**1.3** : Top  
**1.4** : Bottom  
**1.5** : Right  
**1.6** : Left  
**1.7** : Perspective  
**1.1**: front view of the golf ball retriever; **1.2**: back view of the golf ball retriever; **1.3**: top plan view of the golf ball retriever; **1.4**: bottom plan view of the golf ball retriever; **1.5**: right side view of the golf ball retriever; **1.6**: left side view of the golf ball retriever; **1.7**: front perspective view of the golf ball retriever.

(56) **References Cited**

U.S. PATENT DOCUMENTS

5,921,598 A \* 7/1999 Bredow ..... A63B 47/02  
294/19.2  
6,454,331 B1 \* 9/2002 Ahlenius ..... A63B 47/02  
294/19.2  
8,052,542 B1 \* 11/2011 Cepin ..... A63B 47/02  
473/286  
D718,398 S \* 11/2014 Nihra ..... D21/721  
9,265,997 B1 \* 2/2016 Good, Jr. .... A63B 37/0076  
D752,165 S \* 3/2016 Tieh-Cheng ..... D21/721  
D754,268 S \* 4/2016 Nihra ..... D21/721  
10,213,657 B1 \* 2/2019 Klevana ..... A63B 47/02  
D888,853 S \* 6/2020 Gervais ..... D21/720  
D917,639 S \* 4/2021 Manley ..... D21/721

**1 Claim, 7 Drawing Sheets**



(56)

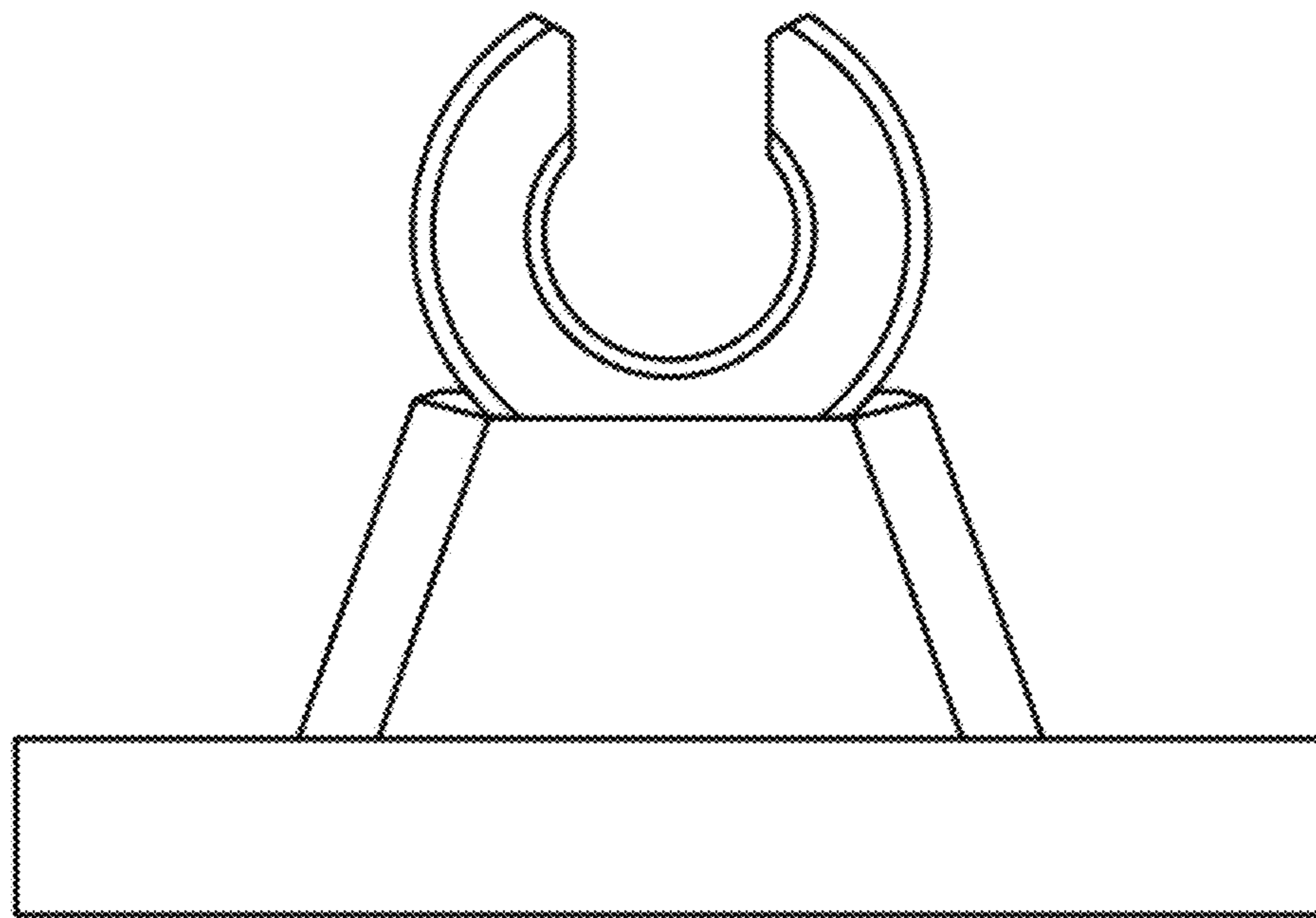
**References Cited**

U.S. PATENT DOCUMENTS

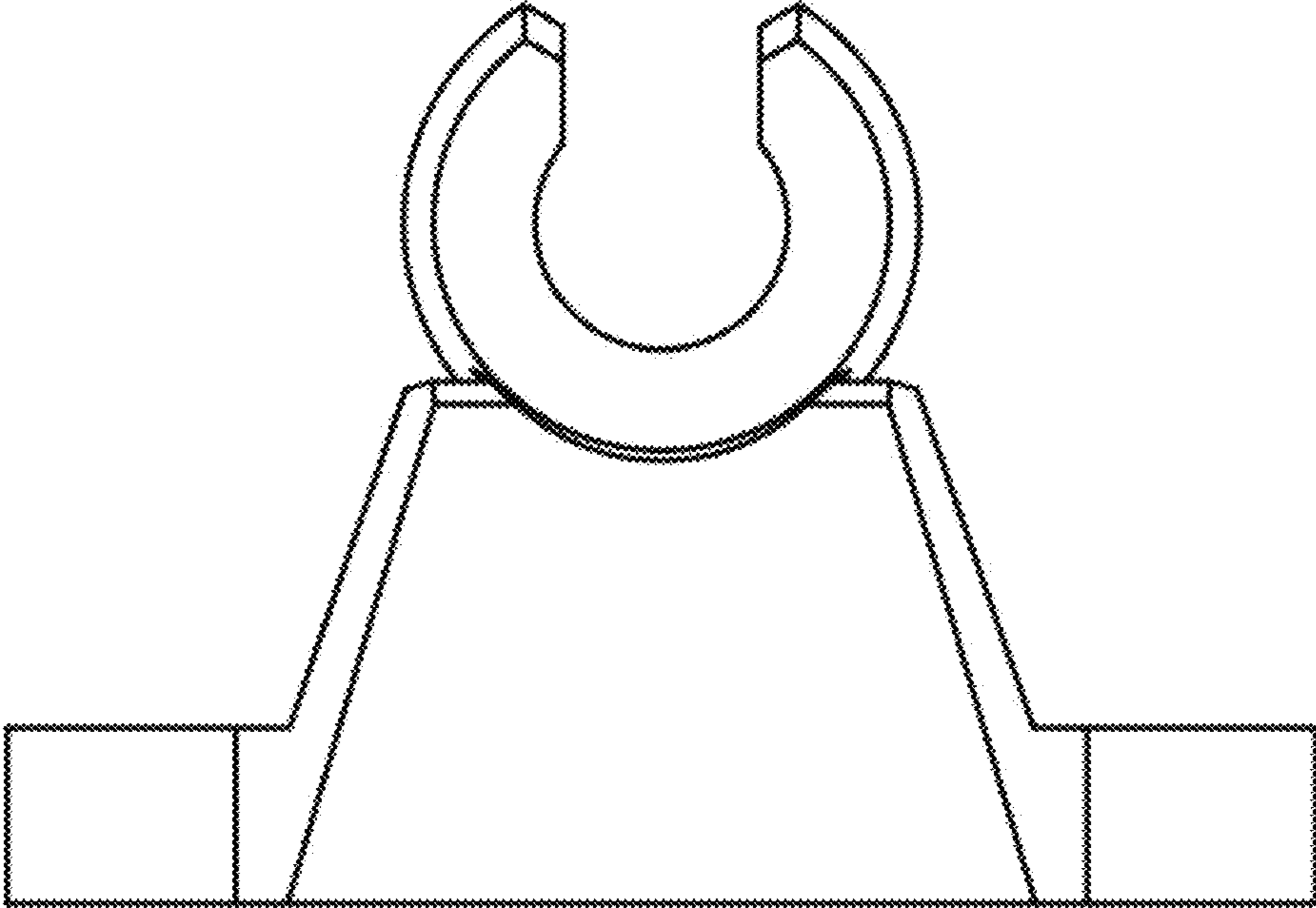
2015/0202501 A1\* 7/2015 Light ..... A63B 47/02  
294/19.2  
2015/0202766 A1\* 7/2015 Light ..... A63B 47/02  
16/429  
2017/0348565 A1\* 12/2017 Batista ..... A63B 57/00  
2018/0345087 A1\* 12/2018 Batista ..... A63B 47/02

\* cited by examiner

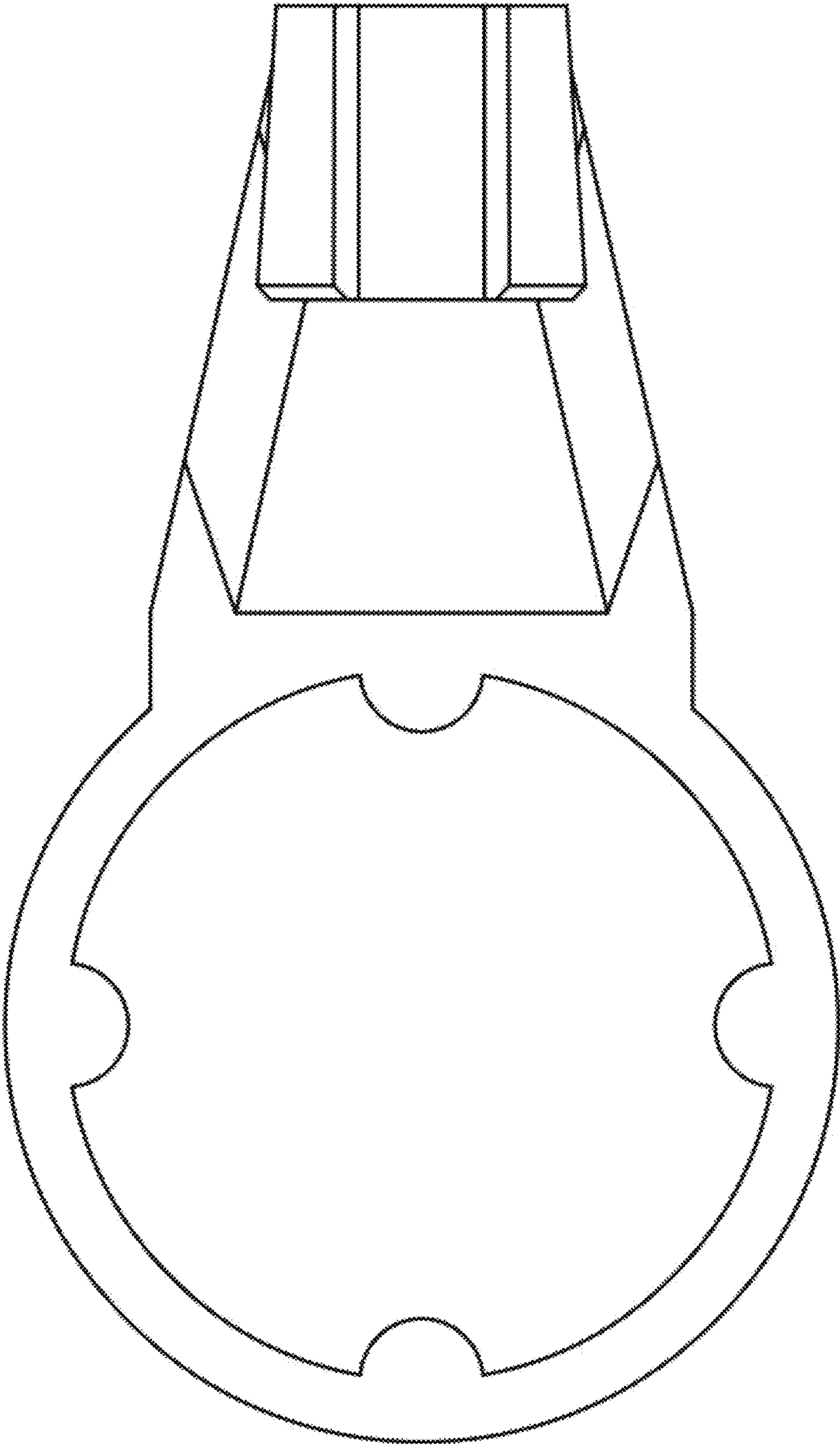
**1.1**



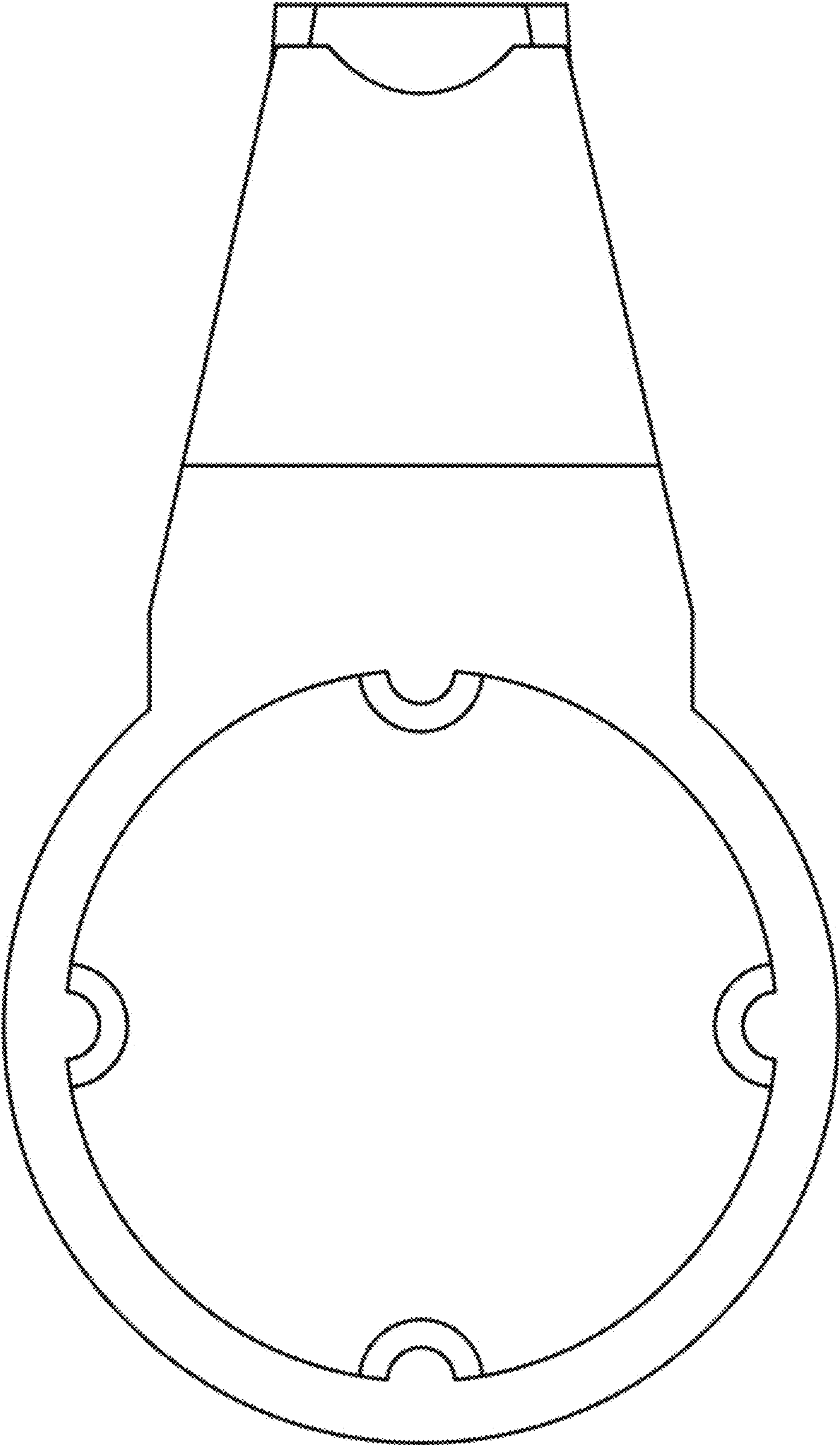
1.2



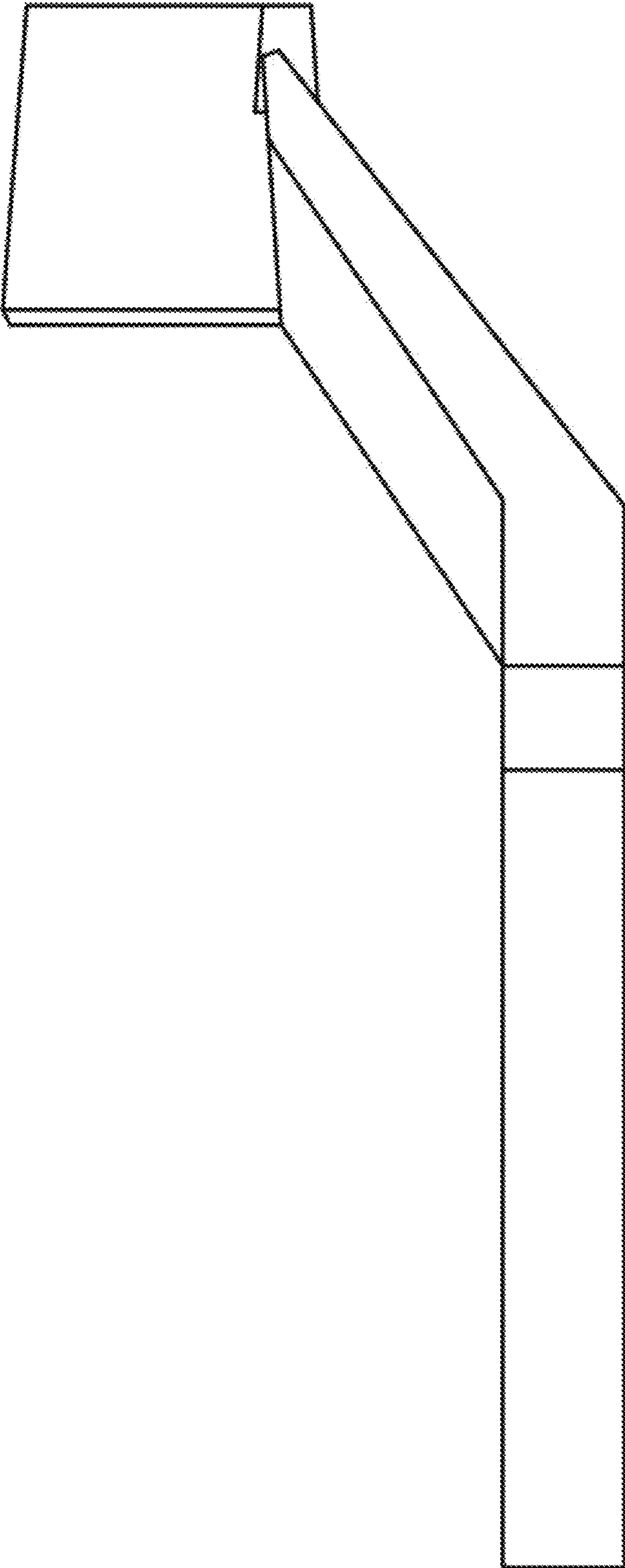
1.3



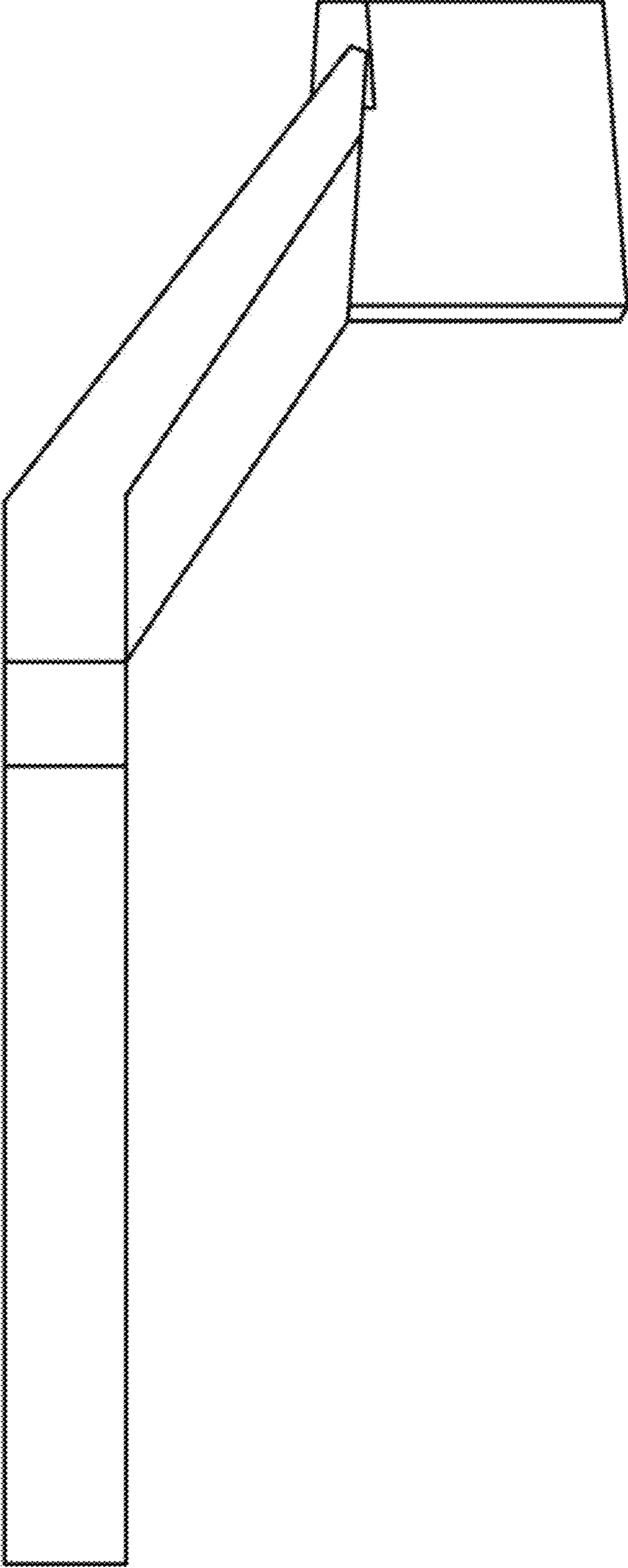
1.4



1.5



1.6





1.7

