



US00D989202S

(12) **United States Design Patent**
Goldkuhl

(10) **Patent No.:** **US D989,202 S**
(45) **Date of Patent:** **** Jun. 13, 2023**

- (54) **BARBELL LIFTING TOOL**
- (71) Applicant: **Gregory J. Goldkuhl**, St. Louis, MO (US)
- (72) Inventor: **Gregory J. Goldkuhl**, St. Louis, MO (US)

D508,645 S *	8/2005	Marr	D8/343
D519,825 S *	5/2006	Marr	D8/343
D548,041 S *	8/2007	Littrell	D8/331
D562,110 S *	2/2008	Garcia	D8/343
D568,716 S *	5/2008	Littrell	D8/331
D584,939 S *	1/2009	Snell	D8/367

(Continued)

(**) Term: **15 Years**

(21) Appl. No.: **29/773,929**

(22) Filed: **Mar. 12, 2021**

(51) **LOC (14) Cl.** **21-02**

(52) **U.S. Cl.**
USPC **D21/683**

(58) **Field of Classification Search**
 USPC D21/662, 673, 679, 682, 683, 684, 691,
 D21/692, 694, 698, 798, 826, 839, 840;
 D8/303, 330, 360, 16, 40, 331, 339, 349
 CPC A63B 21/00043; A63B 21/0442; A63B
 21/0552; A63B 21/0557; A63B 21/4017;
 A63B 21/4019; A63B 21/4021; A63B
 21/4035; A63B 23/12; A63B 21/0724;
 A63B 2023/0411; A63B 21/154; Y10T
 24/00; Y10T 24/4684; Y10T 24/47; Y10T
 24/4709; Y10T 24/4755

See application file for complete search history.

(56) **References Cited**

U.S. PATENT DOCUMENTS

4,559,690 A *	12/1985	Asmus	B25H 7/04 D8/16
5,211,615 A *	5/1993	Sides	A63B 21/065 482/106
5,472,398 A *	12/1995	Silverman	A63B 21/4005 482/148
D384,252 S *	9/1997	Aydelott	D6/323
D440,859 S *	4/2001	Denman	D8/331
D464,686 S *	10/2002	Silveira	D21/683
D494,051 S *	8/2004	Klein	D8/373
D494,454 S *	8/2004	Klein	D8/373

OTHER PUBLICATIONS

Rock Solid Hex J Hook, available on tethertools.com, Wayback Machine date Apr. 26, 2017, [site visited Nov. 14, 2022], URL: <https://tethertools.com/product/rock-solid-hex-j-hooks-set-of-2/> (Year: 2017).*

(Continued)

Primary Examiner — Cary M Robinson

Assistant Examiner — Emily Anna Saunders

(74) *Attorney, Agent, or Firm* — Grace J. Fishel

(57) **CLAIM**

The ornamental design for a barbell lifting tool, as shown and described.

DESCRIPTION

FIG. 1 is a perspective view of a barbell lifting tool showing my new design;

FIG. 2 is a front view thereof;

FIG. 3 is a back view thereof;

FIG. 4 is a side view thereof, the opposite side being a mirror image;

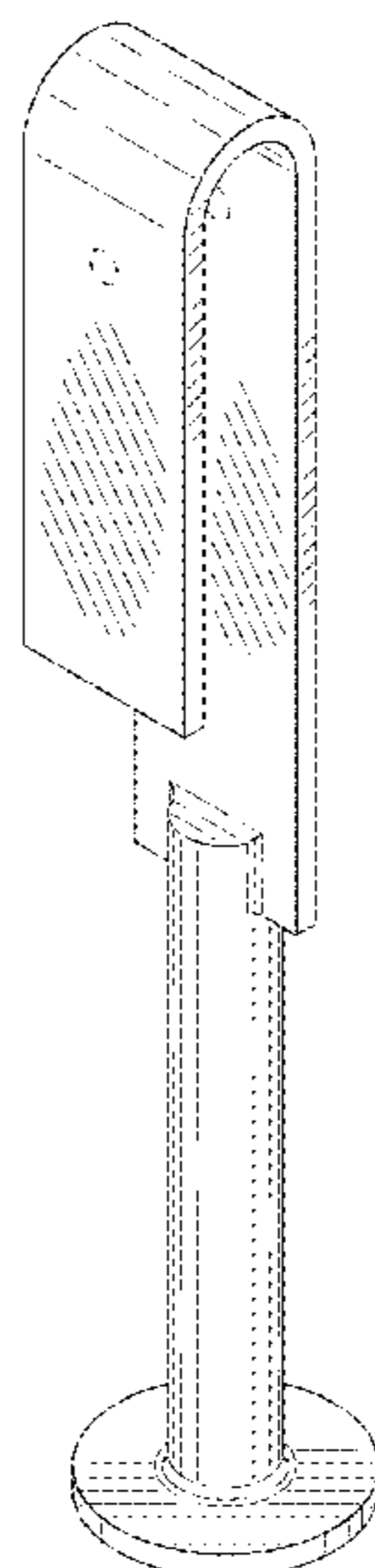
FIG. 5 is a top view thereof;

FIG. 6 is a bottom view thereof; and,

FIG. 7 is a perspective view thereof in use.

The broken lines in FIG. 7 are for the purpose of illustrating environmental matter and form no part of the claimed design. All other broken lines in the drawings show portions of the barbell lifting tool which form no part of the claimed design.

1 Claim, 6 Drawing Sheets



(56)

References Cited

U.S. PATENT DOCUMENTS

7,992,833 B1 * 8/2011 Goodman A47G 25/0614
 248/339
 D680,052 S * 4/2013 Lee D8/349
 D753,981 S * 4/2016 Laxamana D8/341
 10,391,377 B1 * 8/2019 Sorin A63B 22/0046
 D936,457 S * 11/2021 Holguin D8/349
 2002/0162196 A1 * 11/2002 Joubert F16B 45/00
 24/300
 2004/0048723 A1 * 3/2004 Parrilla A63B 71/0036
 482/93
 2005/0075227 A1 * 4/2005 Emick A63B 21/4001
 482/139
 2009/0088305 A1 * 4/2009 Marethouse A63B 23/0405
 482/139
 2021/0228966 A1 * 7/2021 Kleva A63B 71/0036

OTHER PUBLICATIONS

Liberty Door Hook, available on build.com, no date available, [site visited Nov. 14, 2022], URL: <https://www.build.com/product/summary/834579> (Year: 2022).*

Disens Attachments, available on Amazon.com, date first available May 26, 2021, [site visited Nov. 14, 2022], URL: <https://www.amazon.com/dp/B095WCMB2P/> (Year: 2021).*

Rifle Wall Mount, available on Walmart.com, no date available, [site visited Nov. 14, 2022], URL: <https://www.walmart.com/ip/1-Pair-Rifle-Wall-Mount-Storage-Rack-J-Shape-Stainless-Steel-Anti-Scratch-Hooks-Hangers-Holder/775111480> (Year: 2022).*

* cited by examiner

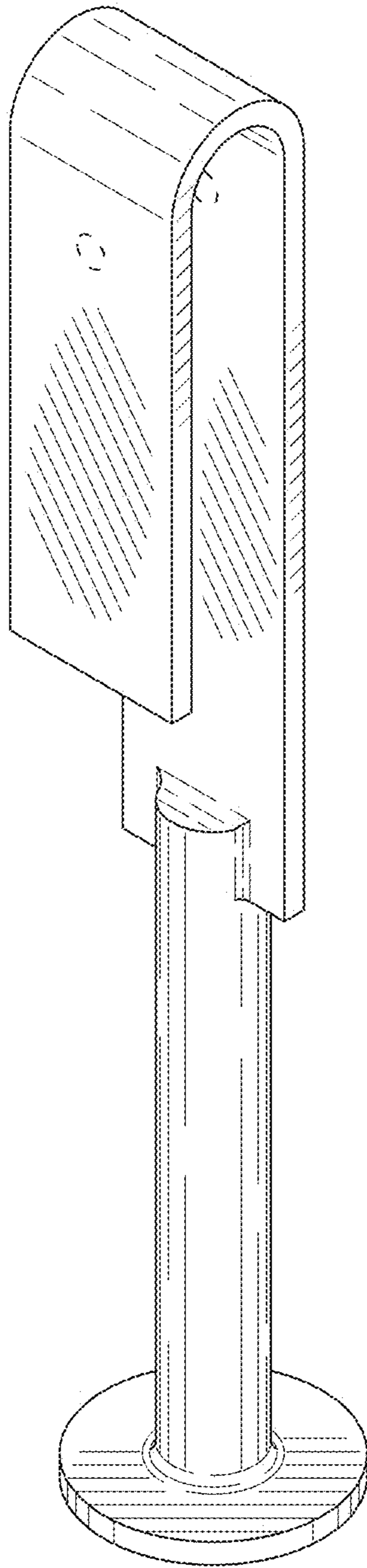


FIG. 1

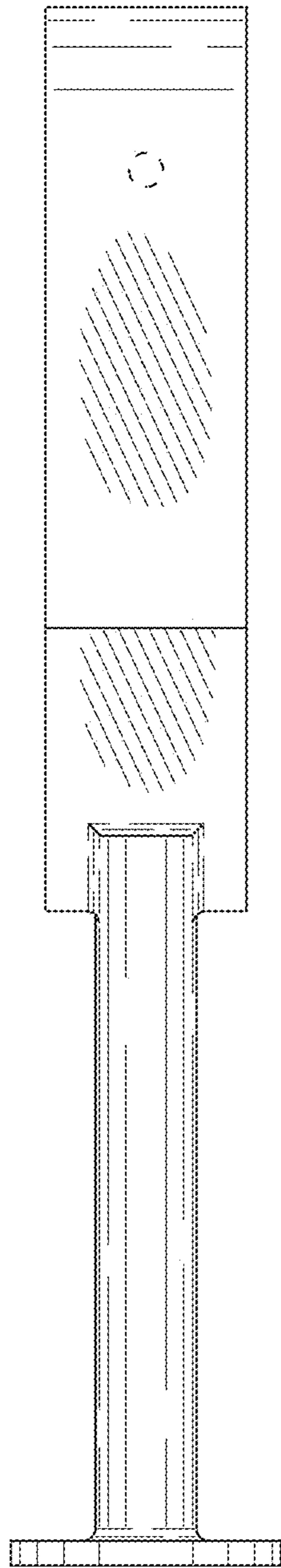


FIG. 2

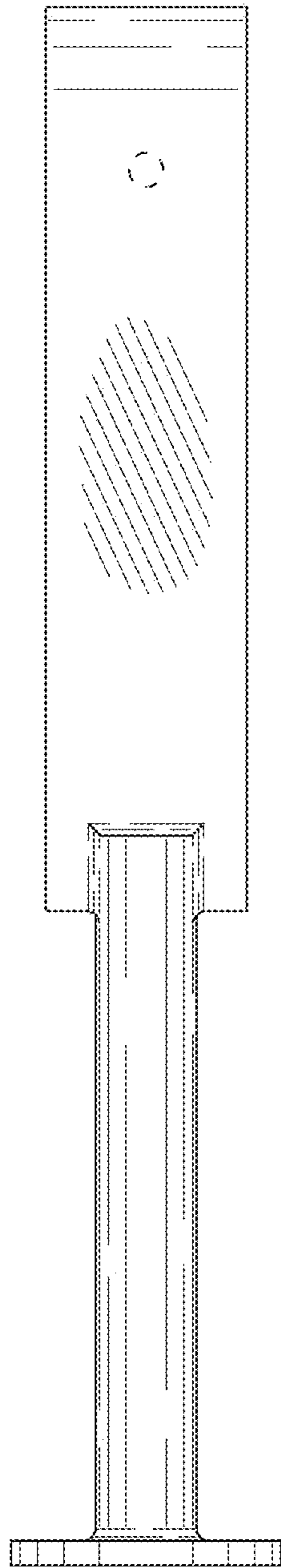


FIG. 3

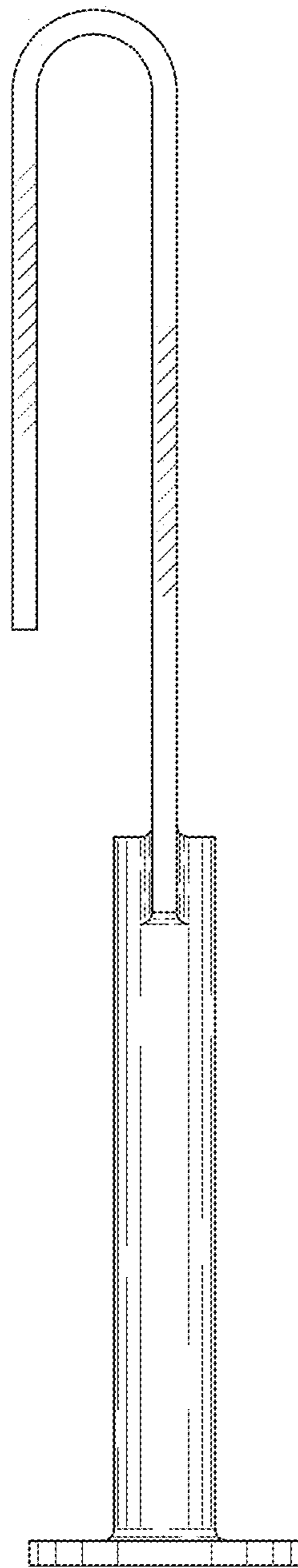


FIG. 4

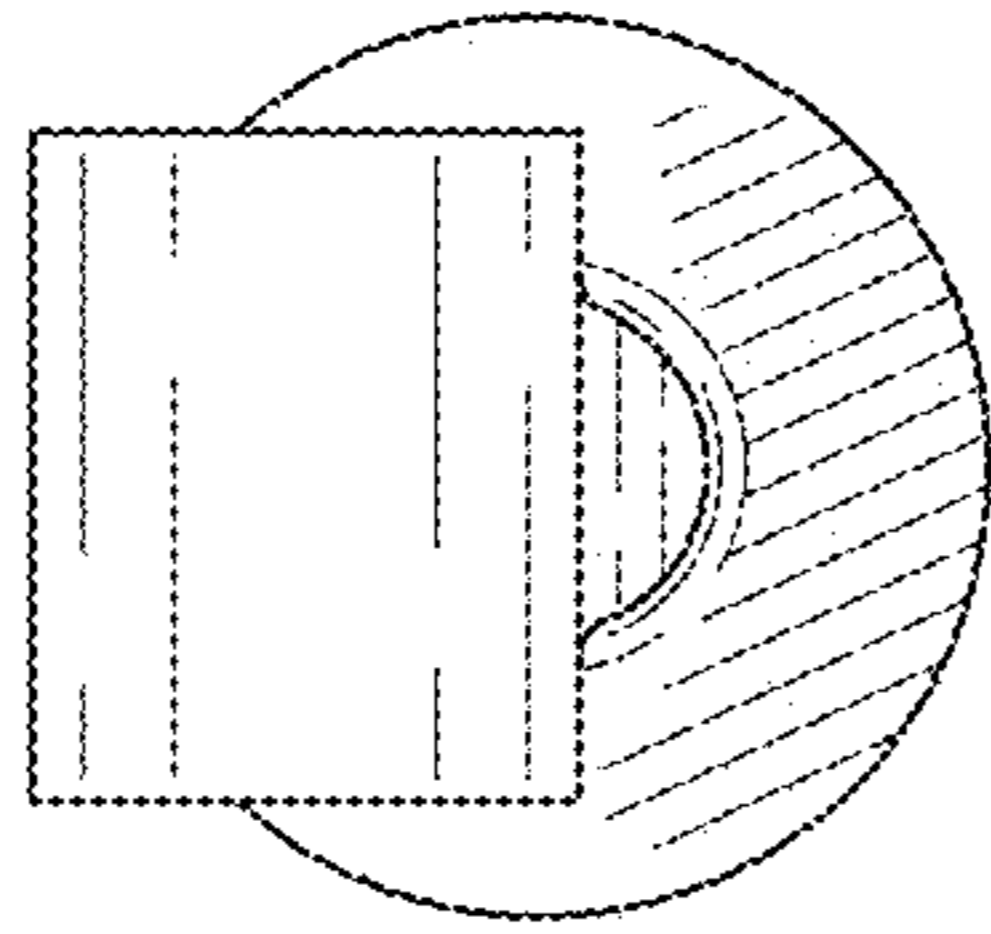


FIG. 5

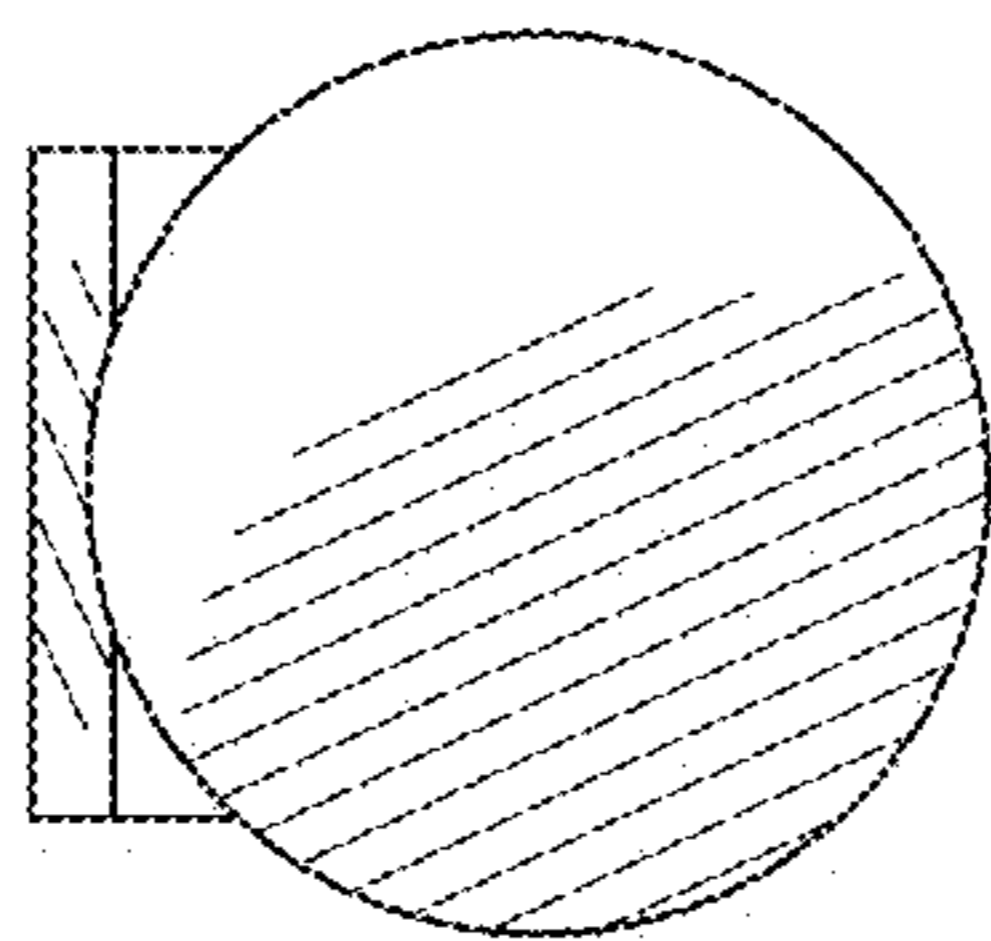


FIG. 6

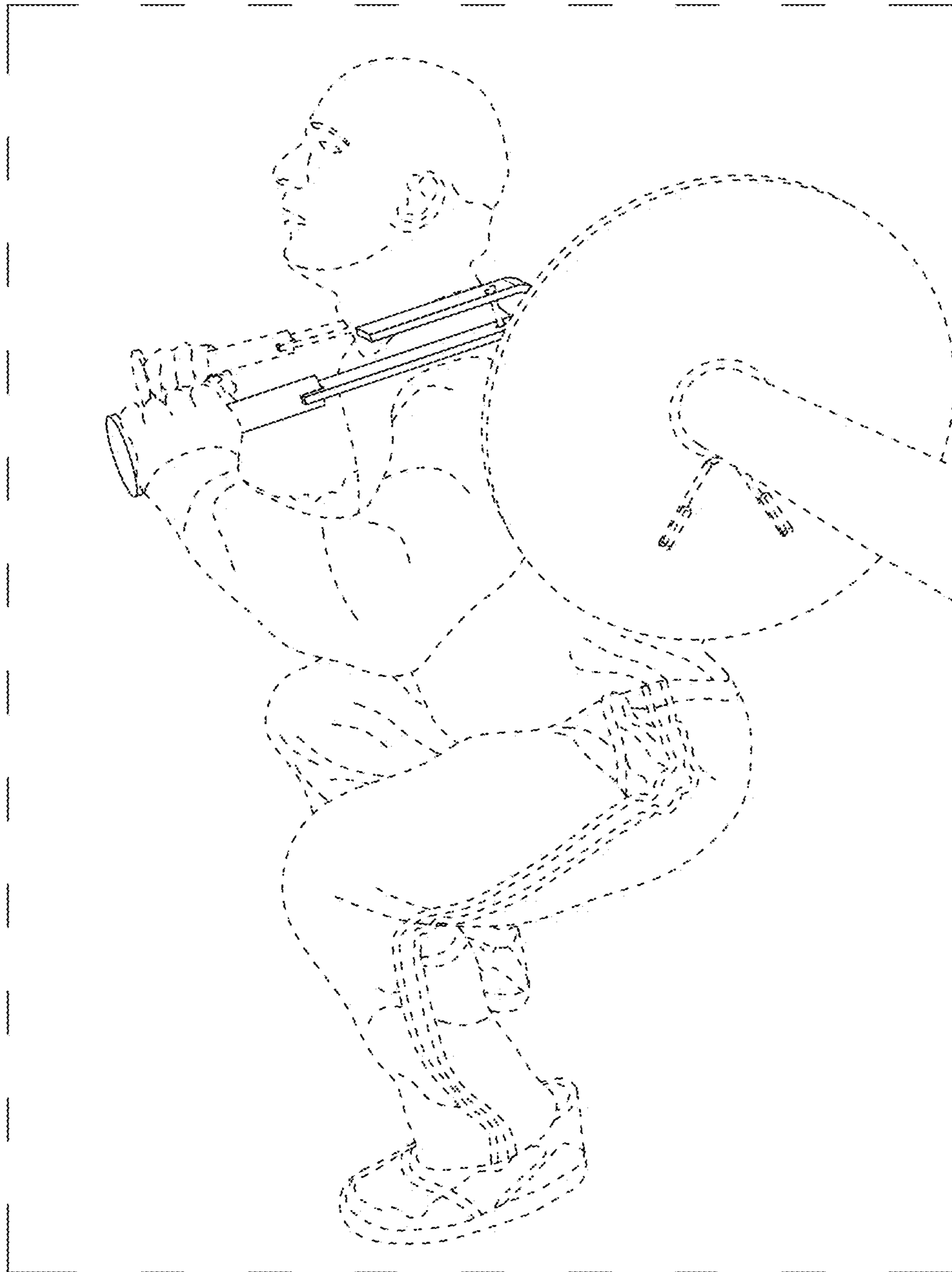


FIG. 7