



US00D989201S

(12) **United States Design Patent**  
**Fu et al.**

(10) **Patent No.:** **US D989,201 S**  
(45) **Date of Patent:** **\*\* Jun. 13, 2023**

(54) **COMBINED DUMBBELL AND BASE**

FOREIGN PATENT DOCUMENTS

(71) Applicants: **Jinyun Fu**, Zhejiang (CN); **Xin Chen**,  
Zhejiang (CN)

CA 203600 \* 11/2022  
CN 304333742 \* 10/2017  
GB 6179338 \* 12/2021

(72) Inventors: **Jinyun Fu**, Zhejiang (CN); **Xin Chen**,  
Zhejiang (CN)

OTHER PUBLICATIONS

(\*\*) Term: **15 Years**

NordiTrack Dumbbells, available on Amazon.com, date first avail-  
able Jan. 10, 2022, oldest customer review Jan. 16, 2022, [site  
visited Feb. 3, 2023], URL: <https://www.amazon.com/dp/B08GGB5V1Z> (Year: 2022).\*

(21) Appl. No.: **29/858,180**

(Continued)

(22) Filed: **Oct. 28, 2022**

(51) **LOC (14) Cl.** ..... **21-02**

(52) **U.S. Cl.**

USPC ..... **D21/681**

(58) **Field of Classification Search**

USPC ..... D30/160; D21/662, 680, 681, 682, 683,  
D21/684

CPC ..... A63B 21/06; A63B 21/00065; A63B  
21/00069; A63B 21/072; A63B 21/0722;  
A63B 21/0724; A63B 21/0726; A63B  
21/075; A63B 21/4035; A63B 21/0602;  
A63B 21/0603; A63B 24/0062; A63B  
21/0728; A63B 21/0604; A01K 15/025;  
A01K 15/026

See application file for complete search history.

*Primary Examiner* — Cary M Robinson

*Assistant Examiner* — Emily Anna Saunders

(57) **CLAIM**

The ornamental design for a combined dumbbell and base,  
as shown and described.

**DESCRIPTION**

FIG. 1 is a front, top perspective view of the combined  
dumbbell and base, showing our new design;  
FIG. 2 is a rear, bottom perspective view thereof;  
FIG. 3 is a front elevation view thereof;  
FIG. 4 is a rear elevation view thereof;  
FIG. 5 is a left side elevation view thereof;  
FIG. 6 is a right side elevation view thereof;  
FIG. 7 is a top plan view thereof;  
FIG. 8 is a bottom plan view thereof; and,  
FIG. 9 is an enlarged view of the area labeled 9 in FIG. 1.  
The dashed lines in the figures illustrate portions of the  
combined dumbbell and base that form no part of the  
claimed design. The dash dot dash broken lines of the  
combined dumbbell and base in FIG. 1 illustrate a boundary  
and cut line of the enlarged view in FIG. 9 and form no part  
of the claimed design.

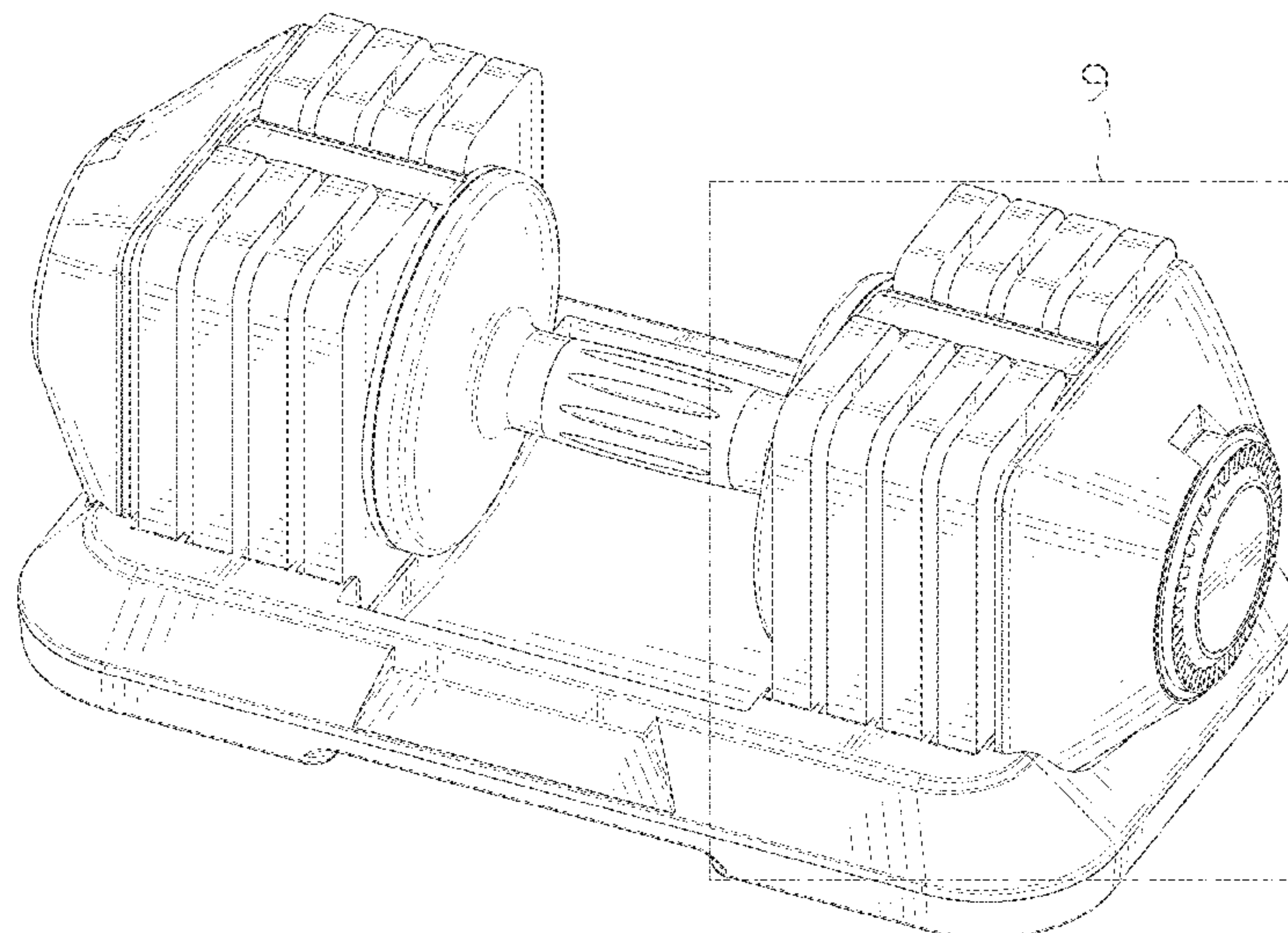
(56) **References Cited**

U.S. PATENT DOCUMENTS

6,261,022 B1 \* 7/2001 Dalebout ..... A63B 21/075  
482/107  
6,749,547 B2 \* 6/2004 Krull ..... A63B 21/075  
482/106  
D639,358 S 6/2011 Rauwerdink  
7,981,012 B1 \* 7/2011 Krull ..... A63B 21/0728  
482/107  
8,002,678 B1 \* 8/2011 Krull ..... A63B 21/0728  
482/93  
D737,907 S \* 9/2015 Flick ..... D21/681  
9,895,571 B2 \* 2/2018 Wang ..... A63B 21/0724  
D921,133 S \* 6/2021 Wang ..... D21/681

(Continued)

**1 Claim, 9 Drawing Sheets**



(56)

**References Cited**

U.S. PATENT DOCUMENTS

2004/0005969 A1\* 1/2004 Chen ..... A63B 21/063  
482/107  
2006/0189458 A1\* 8/2006 Walkerdine ..... A63B 21/0728  
482/106  
2007/0167300 A1\* 7/2007 Krull ..... A63B 21/075  
482/107  
2015/0367163 A1\* 12/2015 Moran ..... A63B 71/0036  
482/108  
2016/0089559 A1\* 3/2016 Smith ..... A63B 24/0062  
482/5  
2016/0089560 A1\* 3/2016 Smith ..... A63B 24/0087  
482/108  
2016/0089575 A1\* 3/2016 Smith ..... A63B 21/0726  
482/5  
2016/0184623 A1\* 6/2016 Moran ..... A63B 21/075  
482/8  
2017/0001061 A1\* 1/2017 Marjama ..... A63B 71/0036  
2017/0252599 A1\* 9/2017 Wang ..... A63B 21/0726  
2018/0078810 A1\* 3/2018 Chen ..... A63B 71/0036  
2020/0398100 A1\* 12/2020 Wang ..... A63B 21/078  
2022/0088432 A1\* 3/2022 Wang ..... A63B 71/0036  
2022/0401786 A1\* 12/2022 Zhang ..... A63B 21/0726

OTHER PUBLICATIONS

LifePro Adjustable Dumbbell, available on [groupon.com](https://www.groupon.com/deals/gg-mp-powerflow-x), no date available, [site visited Feb. 3, 2023], URL: <https://www.groupon.com/deals/gg-mp-powerflow-x> (Year: 2023).\*

Quick-Lock Adjustable Dumbbell, available on [ironmaster.com](https://www.ironmaster.com/products/quick-lock-adjustable-dumbbells-75-original/), oldest customer review Jun. 29, 2007, [site visited Feb. 3, 2023], URL: <https://www.ironmaster.com/products/quick-lock-adjustable-dumbbells-75-original/> (Year: 2007).\*

\* cited by examiner



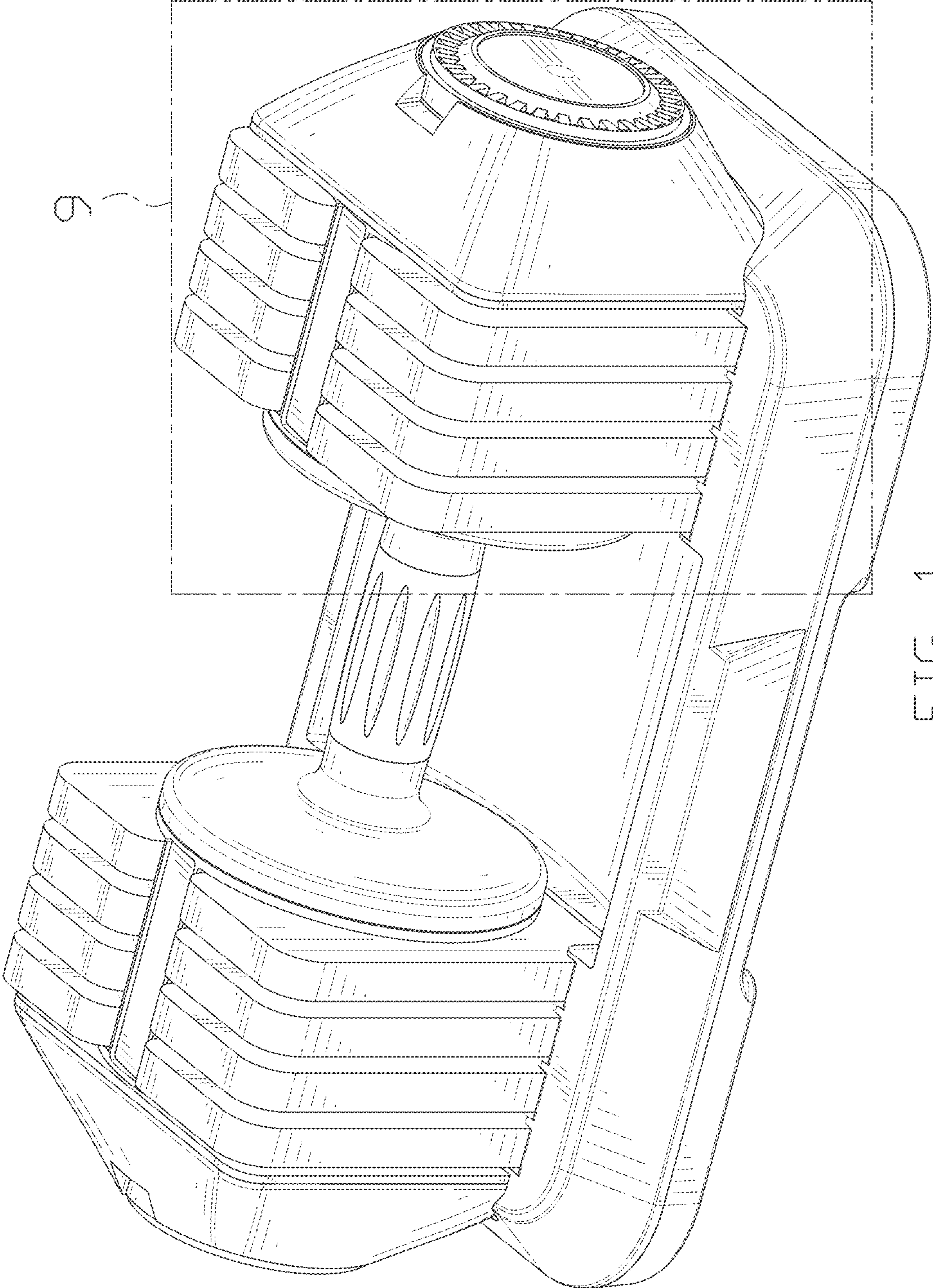


FIG. 1

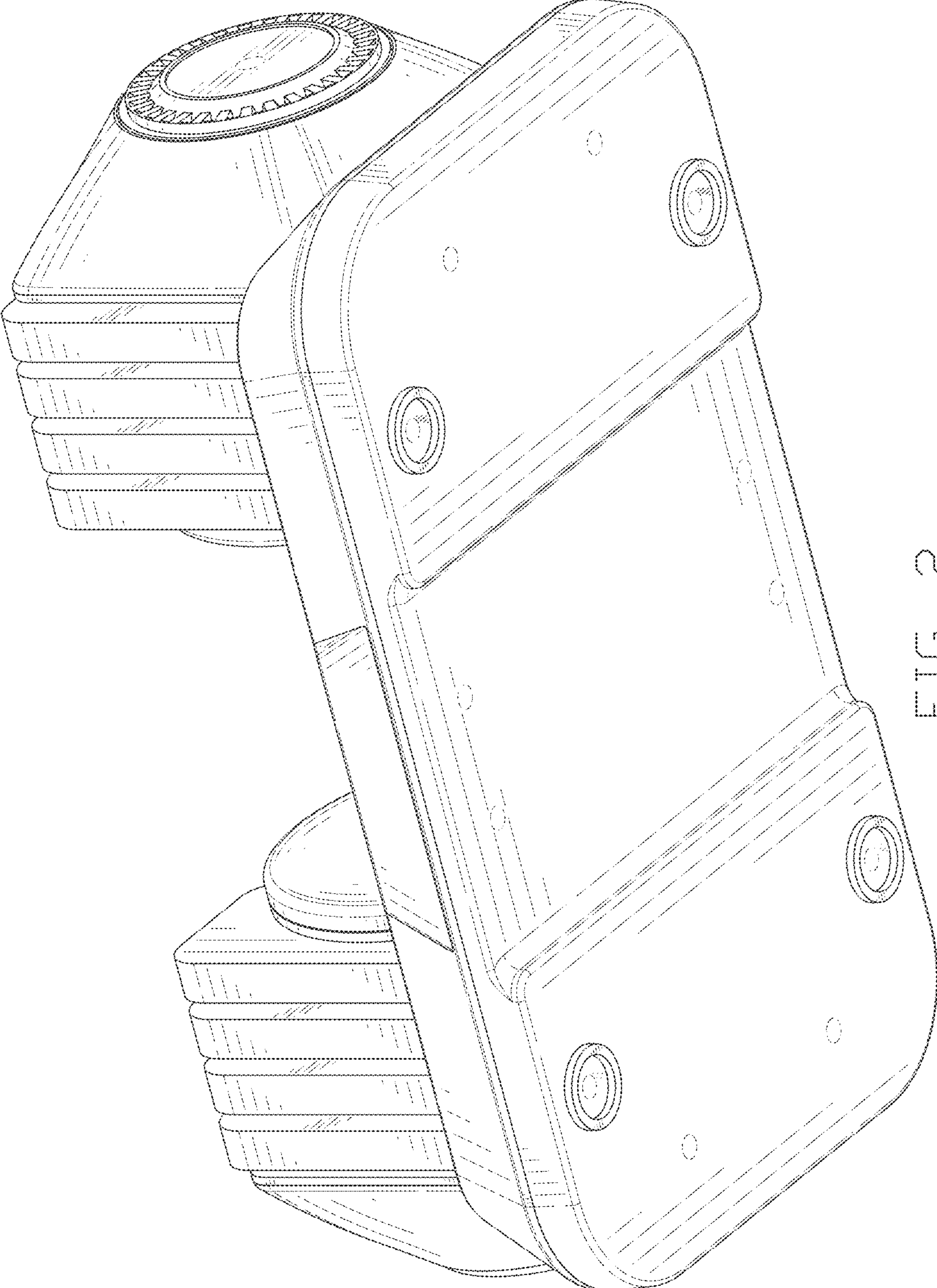


FIG. 2

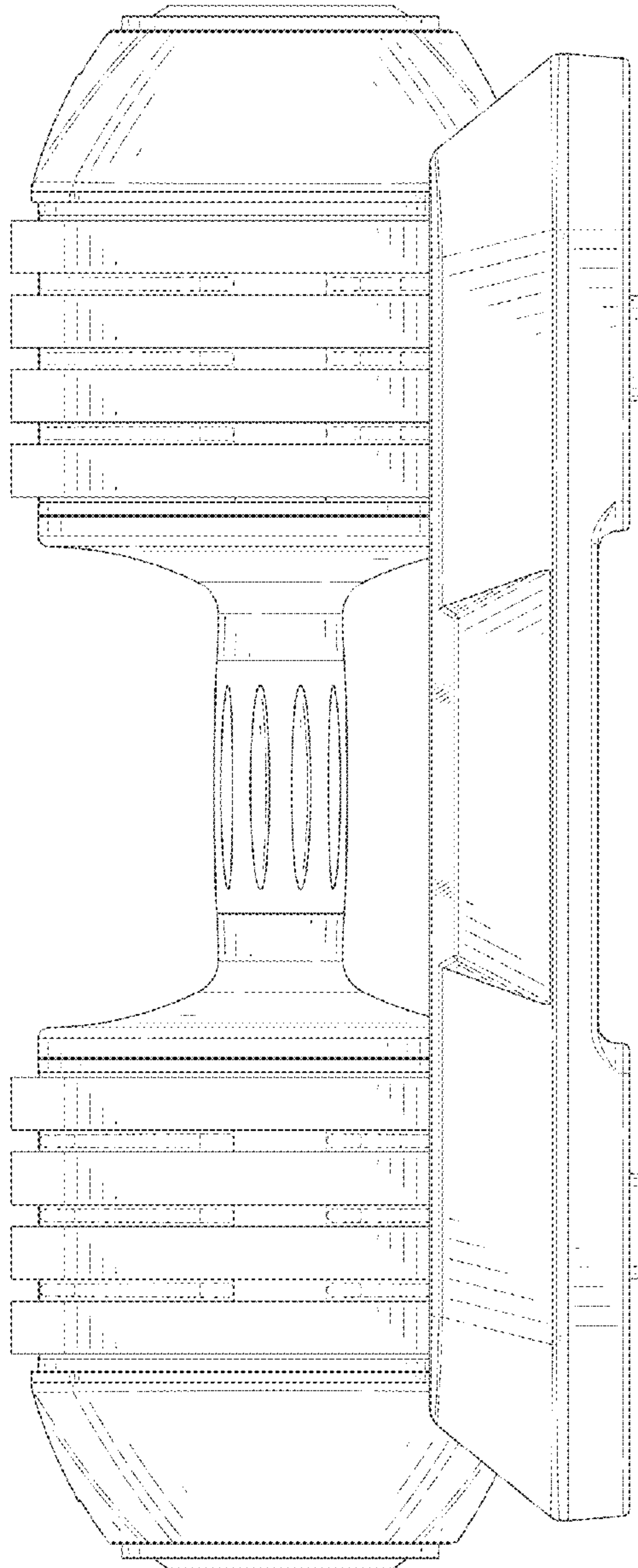


FIG. 3



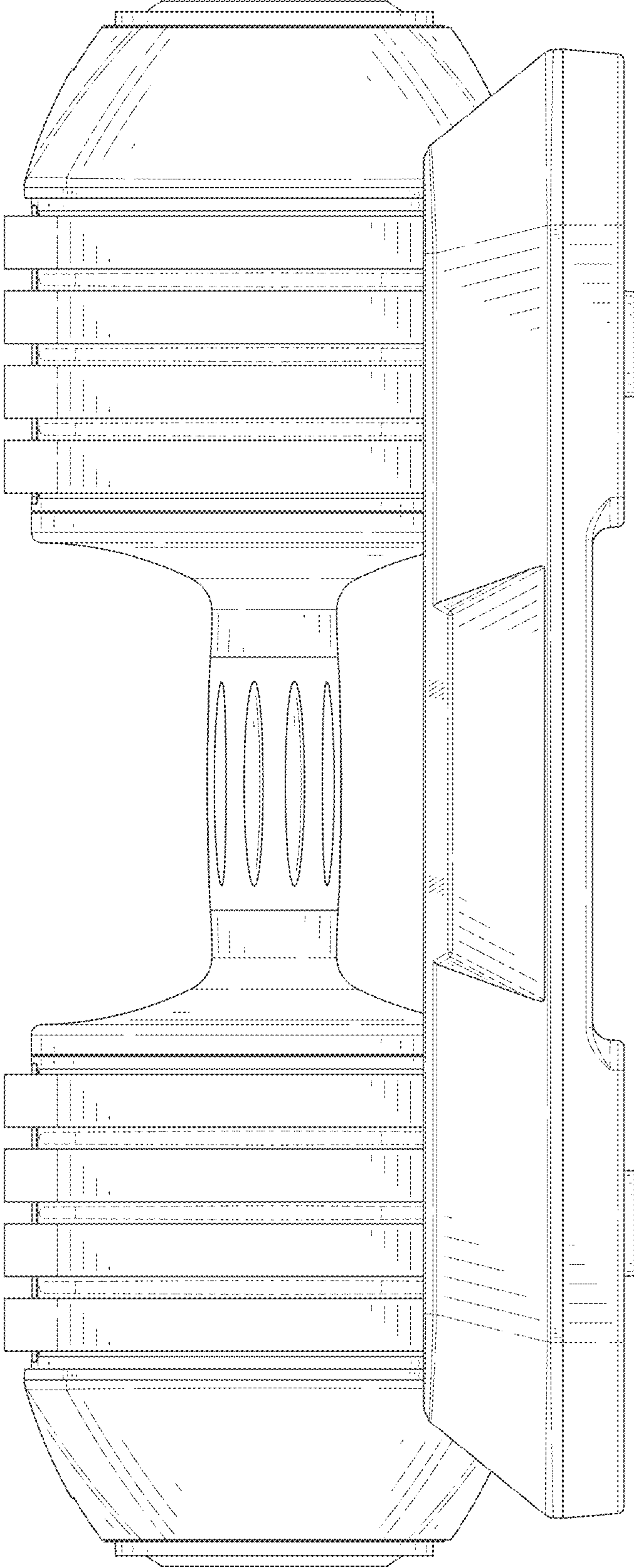


FIG. 4

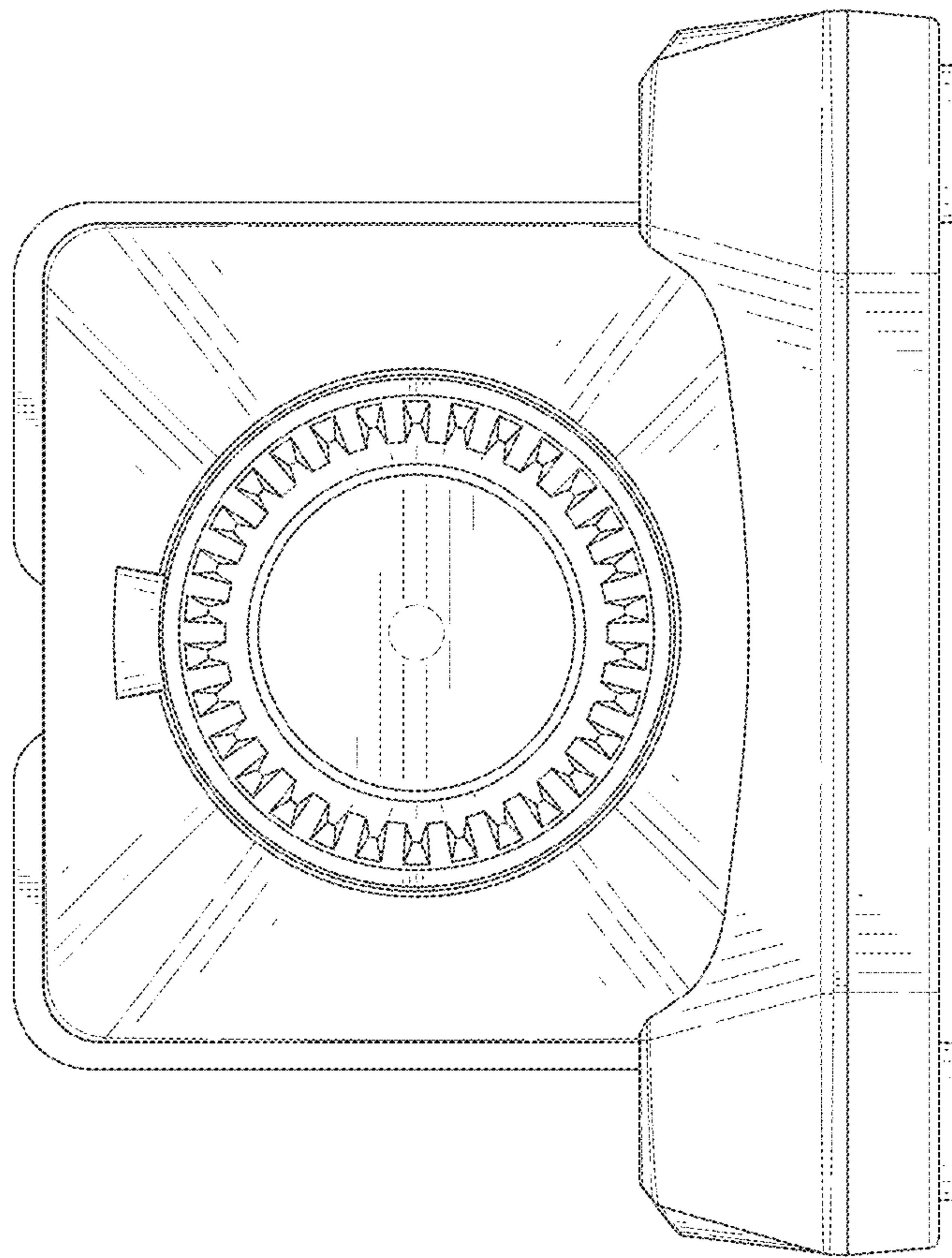


FIG. 5

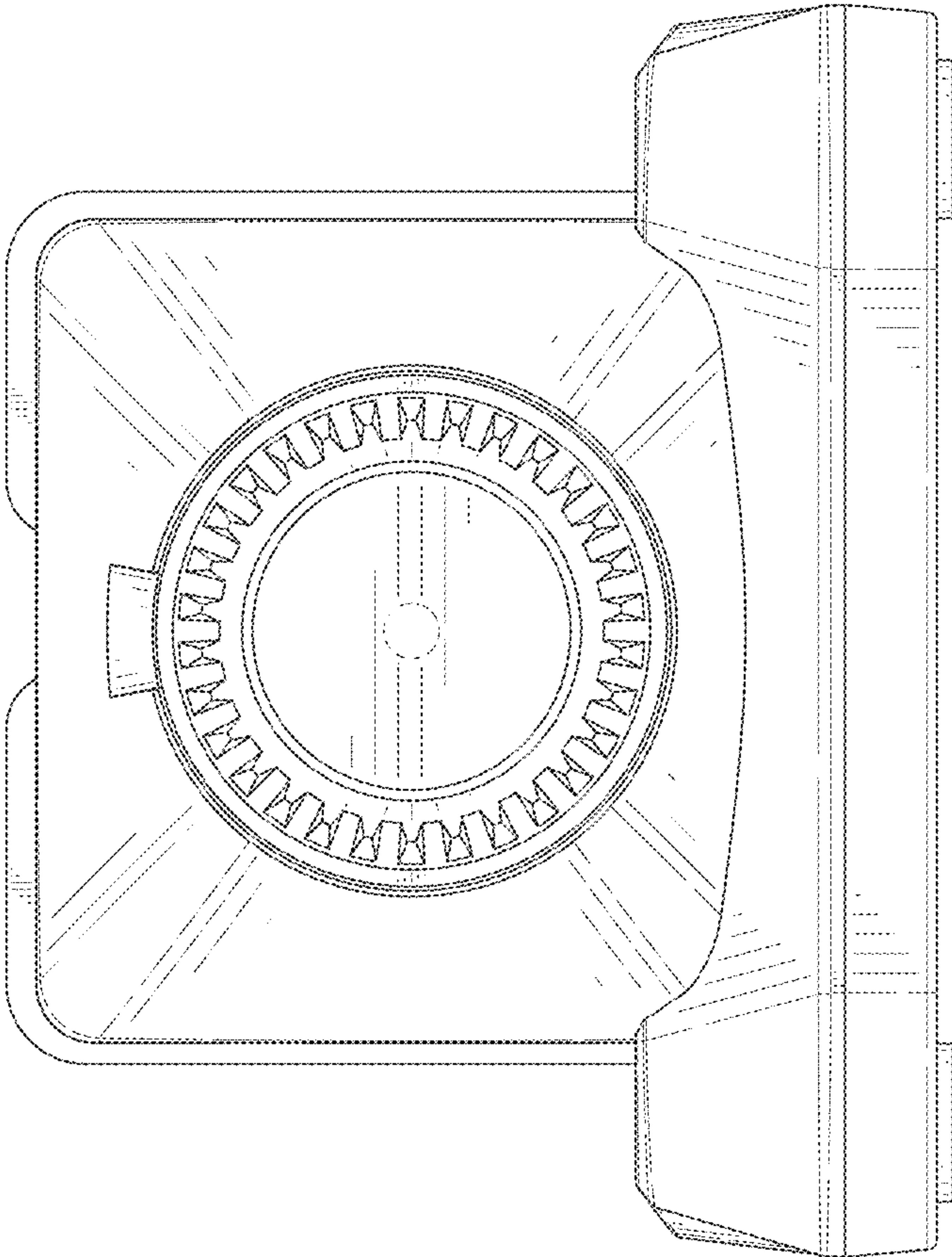


FIG. 6



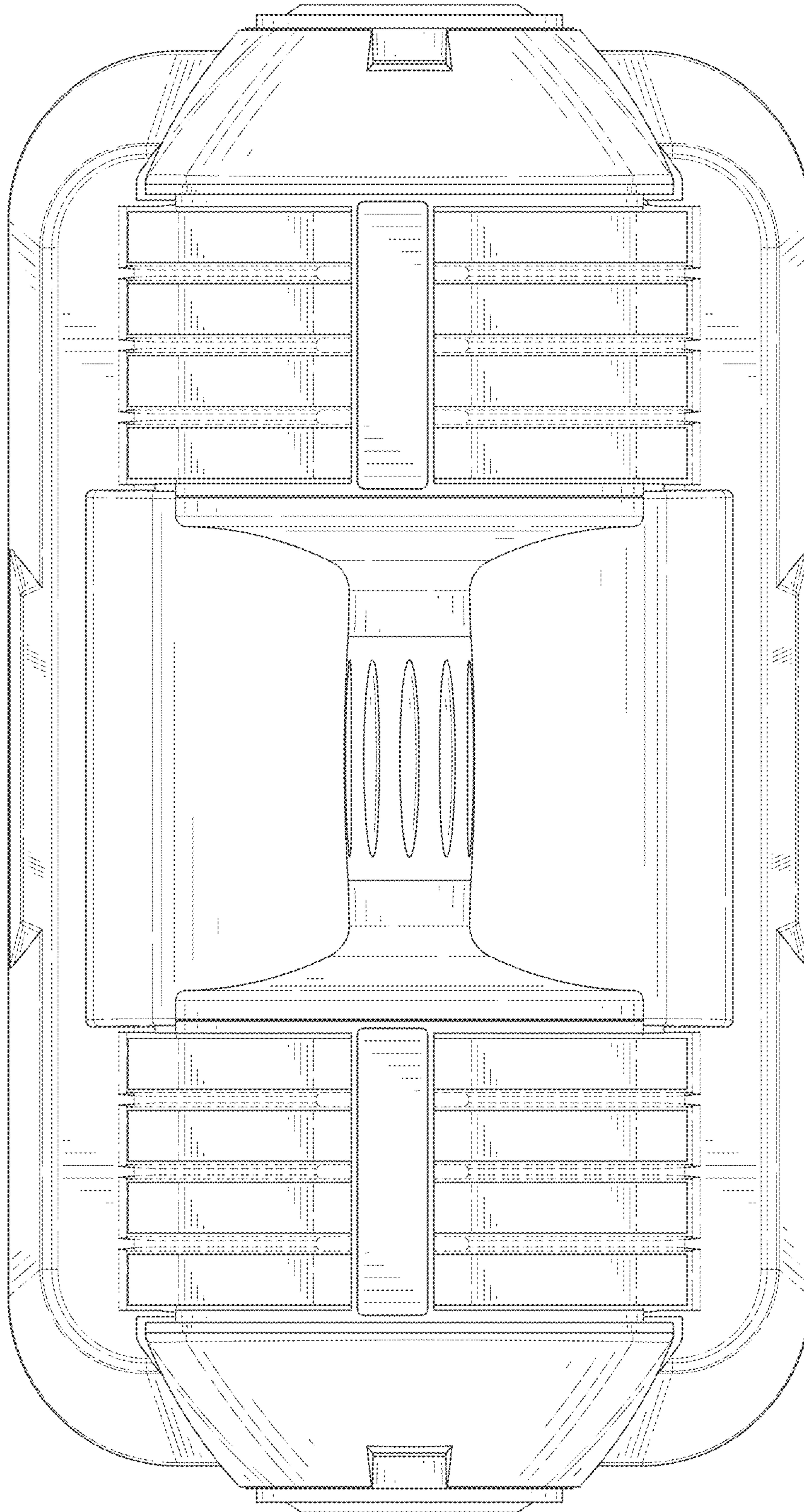


FIG. 7

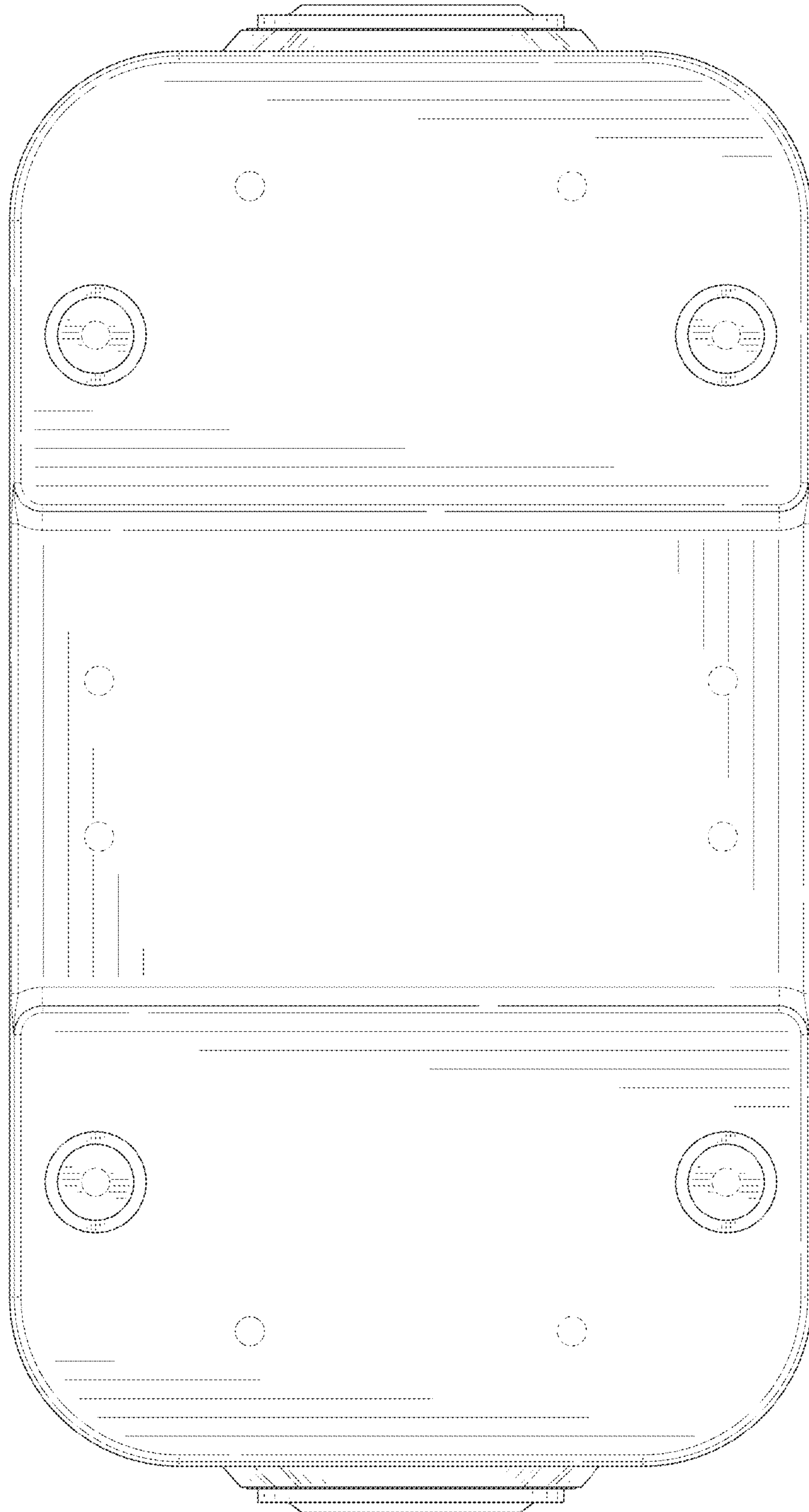


FIG. 8

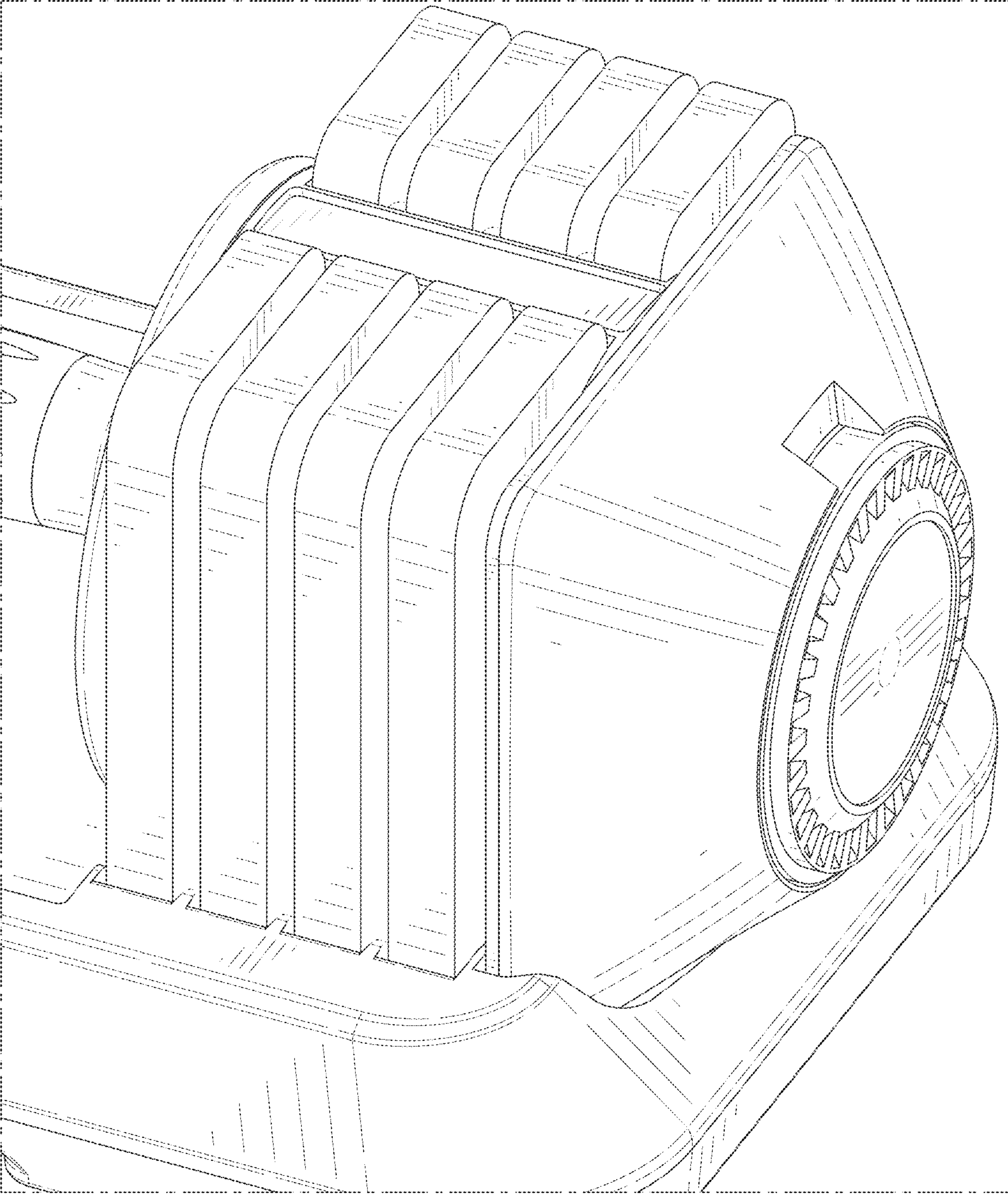


FIG. 9