



US00D989199S

(12) **United States Design Patent**
Bentivoglio et al.

(10) **Patent No.:** **US D989,199 S**
(45) **Date of Patent:** **** Jun. 13, 2023**

- (54) **PILATES REFORMER**
- (71) Applicant: **Frame Innovative Technologies Corp.**,
Boynton Beach, FL (US)
- (72) Inventors: **Melissa Bentivoglio**, Boynton Beach,
FL (US); **Lee Belzberg**, Boynton
Beach, FL (US)
- (73) Assignee: **Frame Innovative Technologies Corp.**,
Miami Beach, FL (US)

D788,861	S	*	6/2017	Campanaro	D21/674
D840,479	S	*	2/2019	Haquet	D21/662
D896,460	S	*	9/2020	Troyan	D34/11
10,835,775	B1	*	11/2020	Lagree	A63B 21/023
10,881,896	B2	*	1/2021	Lagree	A63B 21/023
D922,161	S	*	6/2021	Wu	D7/698
D953,452	S	*	5/2022	Smith	D21/686
D955,513	S	*	6/2022	Zhou	D21/688
11,395,936	B1	*	7/2022	Lagree	A63B 21/4034
11,446,540	B2	*	9/2022	Lagree	A63B 22/0089
2021/0244993	A1	*	8/2021	Singer	A63B 21/154
2022/0387845	A1	*	12/2022	Bentivoglio	A63B 21/00065

(**) Term: **15 Years**

(21) Appl. No.: **29/800,126**

(22) Filed: **Jul. 19, 2021**

(51) **LOC (14) Cl.** **21-02**

(52) **U.S. Cl.**
USPC **D21/676**

(58) **Field of Classification Search**
USPC D21/671, 673, 674, 686, 690, 691, 693,
D21/694, 676; D7/500, 550.1, 552.1;
D6/333, 334; 482/72, 92, 95, 96, 121,
482/122, 123, 130
CPC A63B 21/4045; A63B 21/068; A63B
21/4035; A63B 22/0023; A63B 22/0089;
A63B 22/203; A63B 2208/0219; A63B
2225/09

See application file for complete search history.

(56) **References Cited**

U.S. PATENT DOCUMENTS

D556,274	S	*	11/2007	Morgan	D21/673
D632,101	S	*	2/2011	Sandel	D6/349
D659,205	S	*	5/2012	Endelman	D21/673
D659,206	S	*	5/2012	Oberwelz	D21/673
D659,208	S	*	5/2012	Savarino	D21/694
8,506,462	B2	*	8/2013	Gregor	A63B 21/4035 482/121

OTHER PUBLICATIONS

Balanced Body Allegro Pilates Reformer. Online, published date Aug. 17, 2012. Retrieved on Jan. 20, 2023 from URL: <https://www.amazon.com/Allegro-2-Reformer-with-legs/dp/B008YNIYLC/>.*

(Continued)

Primary Examiner — Omeed Agilee

Assistant Examiner — David Truong

(74) *Attorney, Agent, or Firm* — Crowell & Moring LLP

(57) **CLAIM**

The ornamental design for a pilates reformer, as shown and described.

DESCRIPTION

FIG. 1 is a perspective view of a pilates reformer showing the new design;

FIG. 2 is a right side view thereof;

FIG. 3 is a left side view thereof;

FIG. 4 is a front view thereof;

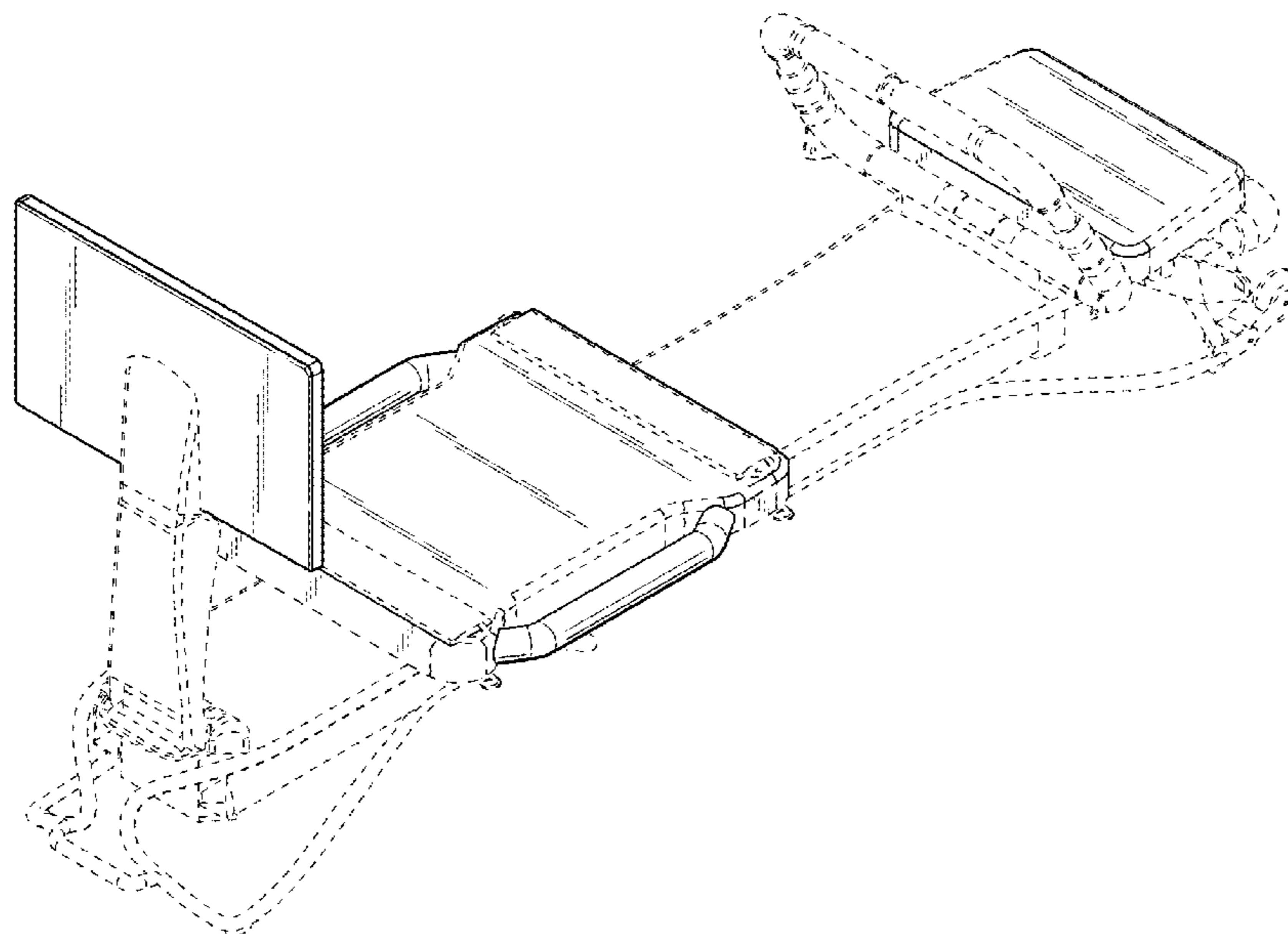
FIG. 5 is a rear view thereof;

FIG. 6 is a top view thereof; and,

FIG. 7 is a bottom view thereof.

The broken lines are for environmental purposes only and do not form any part of the claimed design.

1 Claim, 5 Drawing Sheets



(56)

References Cited

OTHER PUBLICATIONS

AeroPilates Precision Series Reformer. Online, published date Oct. 25, 2008. Retrieved on Jan. 20, 2023 from URL: <https://www.amazon.com/AeroPilates-Stamina-Premier-Cardio-Rebounder/dp/B001EV6JKO/>.*

U.S. Appl. No. 29/800,109, filed Jul. 19, 2021, Bentivoglio et al.

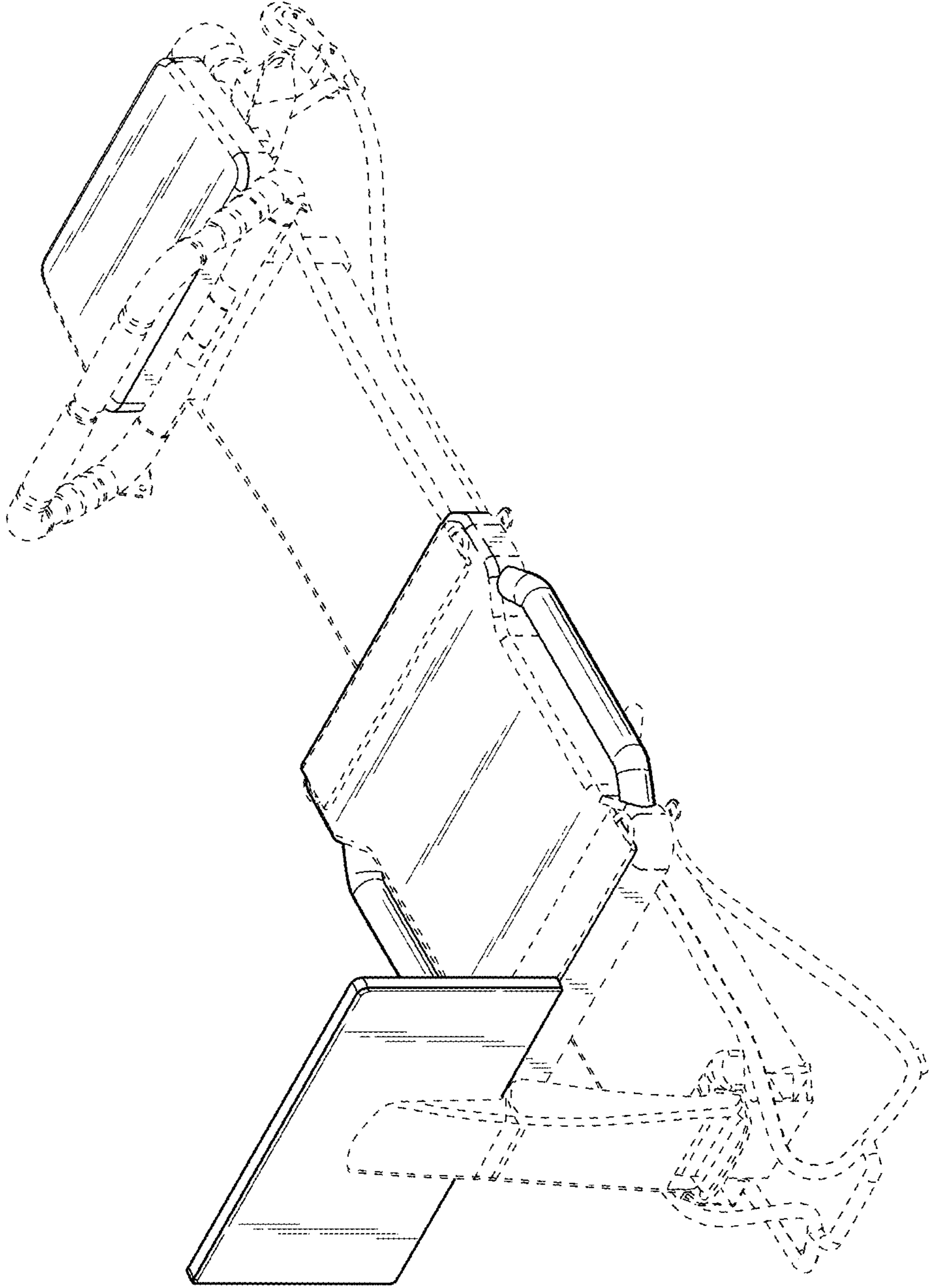
U.S. Appl. No. 29/800,121, filed Jul. 19, 2021, Bentivoglio et al.

U.S. Appl. No. 29/834,647, filed Apr. 13, 2022, Bentivoglio et al.

U.S. Appl. No. 17/719,874, filed Apr. 13, 2022, Bentivoglio et al.

* cited by examiner

FIG. 1



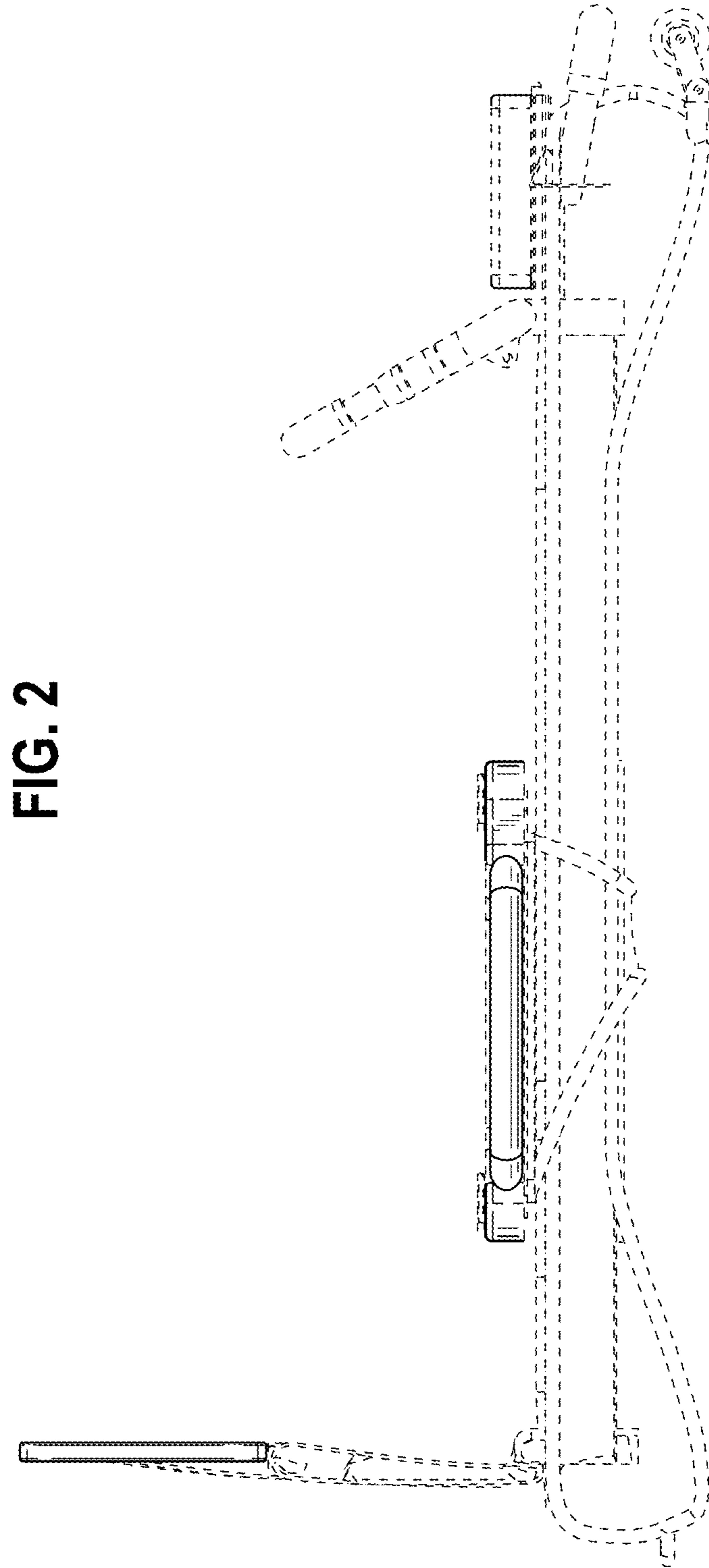


FIG. 2

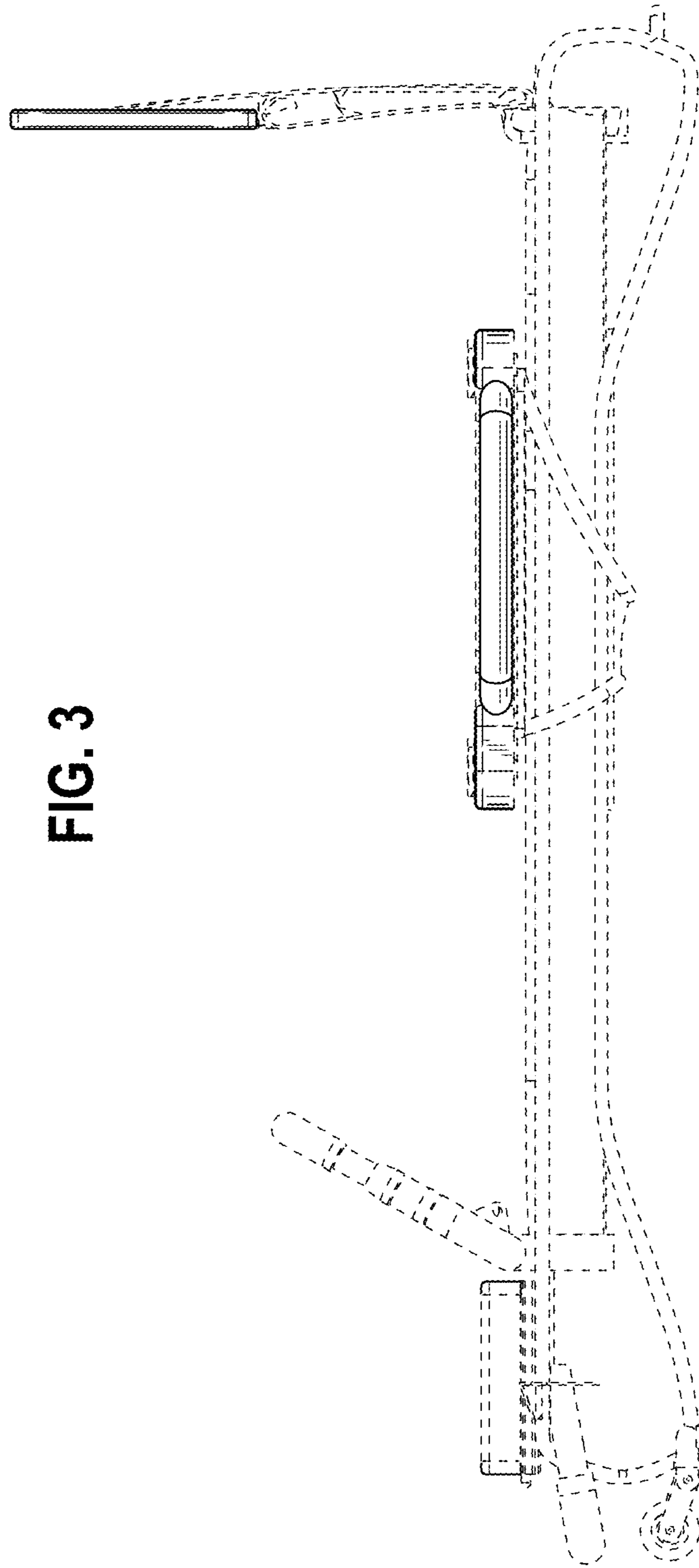


FIG. 3

FIG. 4

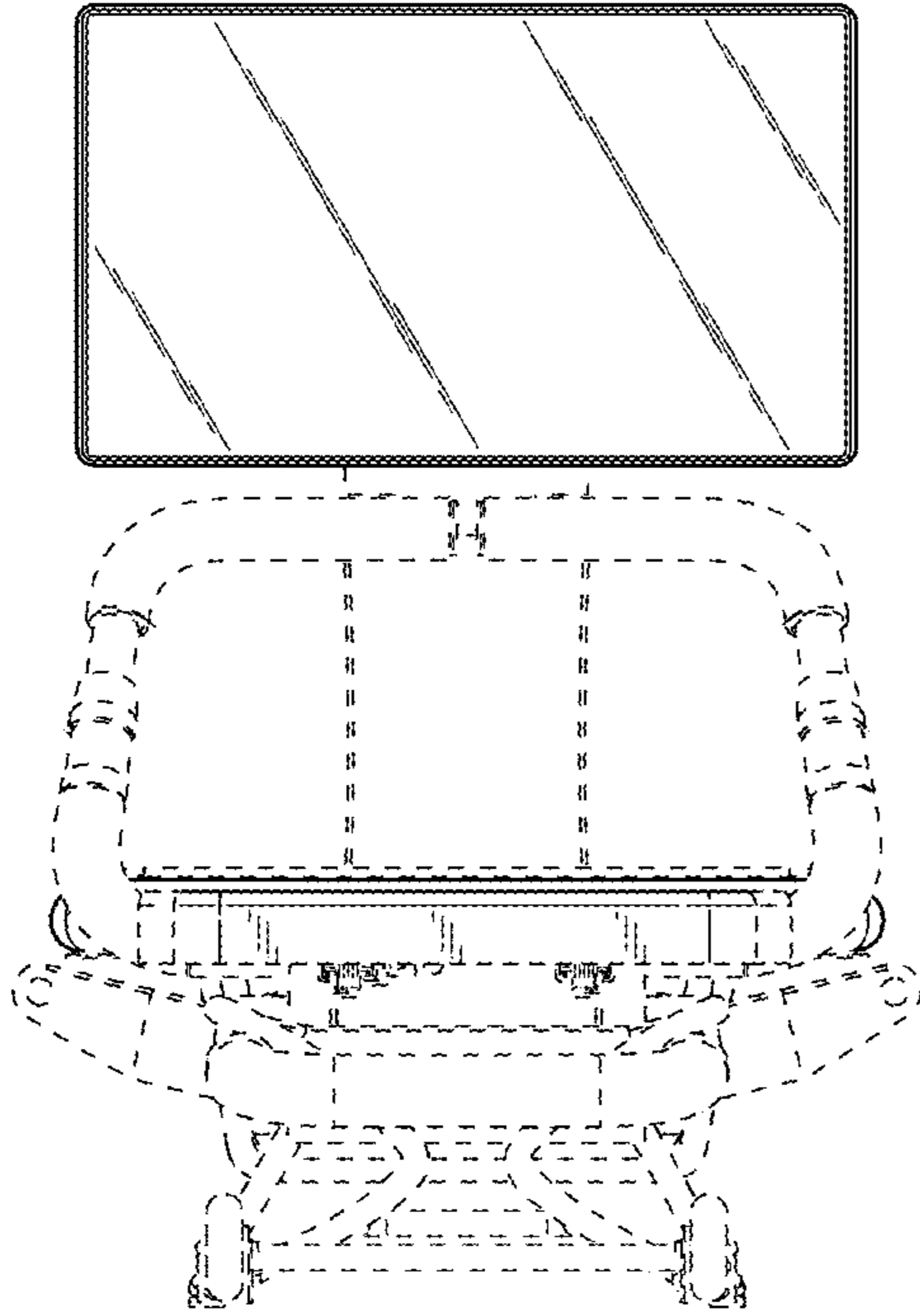


FIG. 5

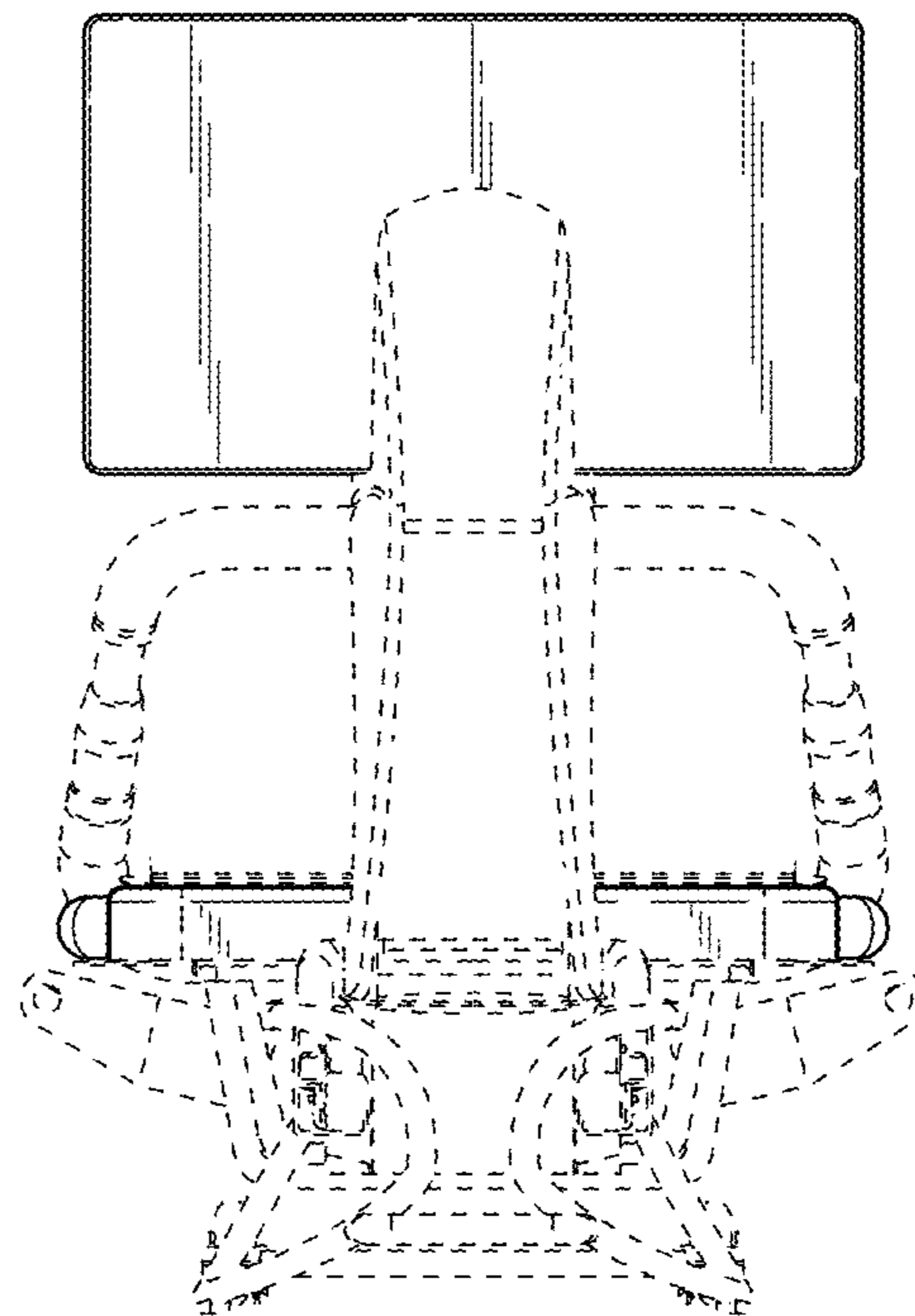


FIG. 6

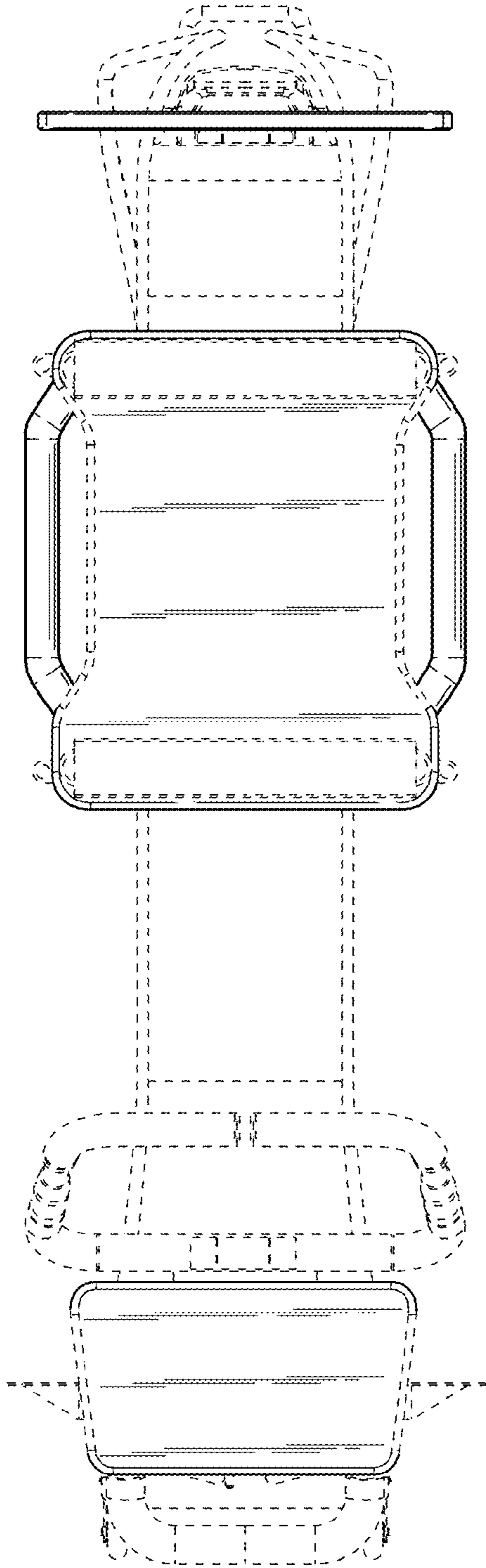


FIG. 7

