



US00D989197S

(12) **United States Design Patent**
Huang

(10) **Patent No.:** **US D989,197 S**
(45) **Date of Patent:** **** Jun. 13, 2023**

(54) **TREADMILL**

FOREIGN PATENT DOCUMENTS

(71) Applicant: **Yongkang Saihan Electronic Technology Co., Ltd., Jinhua (CN)**

CN 202130181921.3 * 9/2021

(72) Inventor: **Bo Huang, Jinhua (CN)**

OTHER PUBLICATIONS

(73) Assignee: **Yongkang Saihan Electronic Technology Co., Ltd., Jinhua (CN)**

Reebok, announced 2019 [online], [site visited Jan. 19, 2023]. Available on internet, URL: <https://www.amazon.com/Reebok-Jet-300-Treadmill-Bluetooth/dp/B0788C2GVP/ref> (Year: 2019).*

(**) Term: **15 Years**

* cited by examiner

(21) Appl. No.: **29/816,961**

Primary Examiner — Khawaja Anwar
Assistant Examiner — Julice Seung Eun Oum

(22) Filed: **Nov. 26, 2021**

(57) **CLAIM**

(30) **Foreign Application Priority Data**

The ornamental design for a treadmill, as shown and described.

Jun. 18, 2021 (CN) 202130376549.1

DESCRIPTION

(51) **LOC (14) Cl.** **21-02**

FIG. 1 is a top, front and left perspective view of a treadmill showing my new design;

(52) **U.S. Cl.**

USPC **D21/669**

FIG. 2 is a front view thereof;

(58) **Field of Classification Search**

USPC D21/668, 669, 686, 694, 662
See application file for complete search history.

FIG. 3 is a rear view thereof;

FIG. 4 is a left side view thereof;

FIG. 5 is a right side view thereof;

FIG. 6 is a top plan view thereof;

FIG. 7 is a bottom plan view thereof;

FIG. 8 is an enlarged partial view of FIG. 1;

FIG. 9 is an enlarged partial view of FIG. 2; and,

FIG. 10 is an enlarged partial view of FIG. 4.

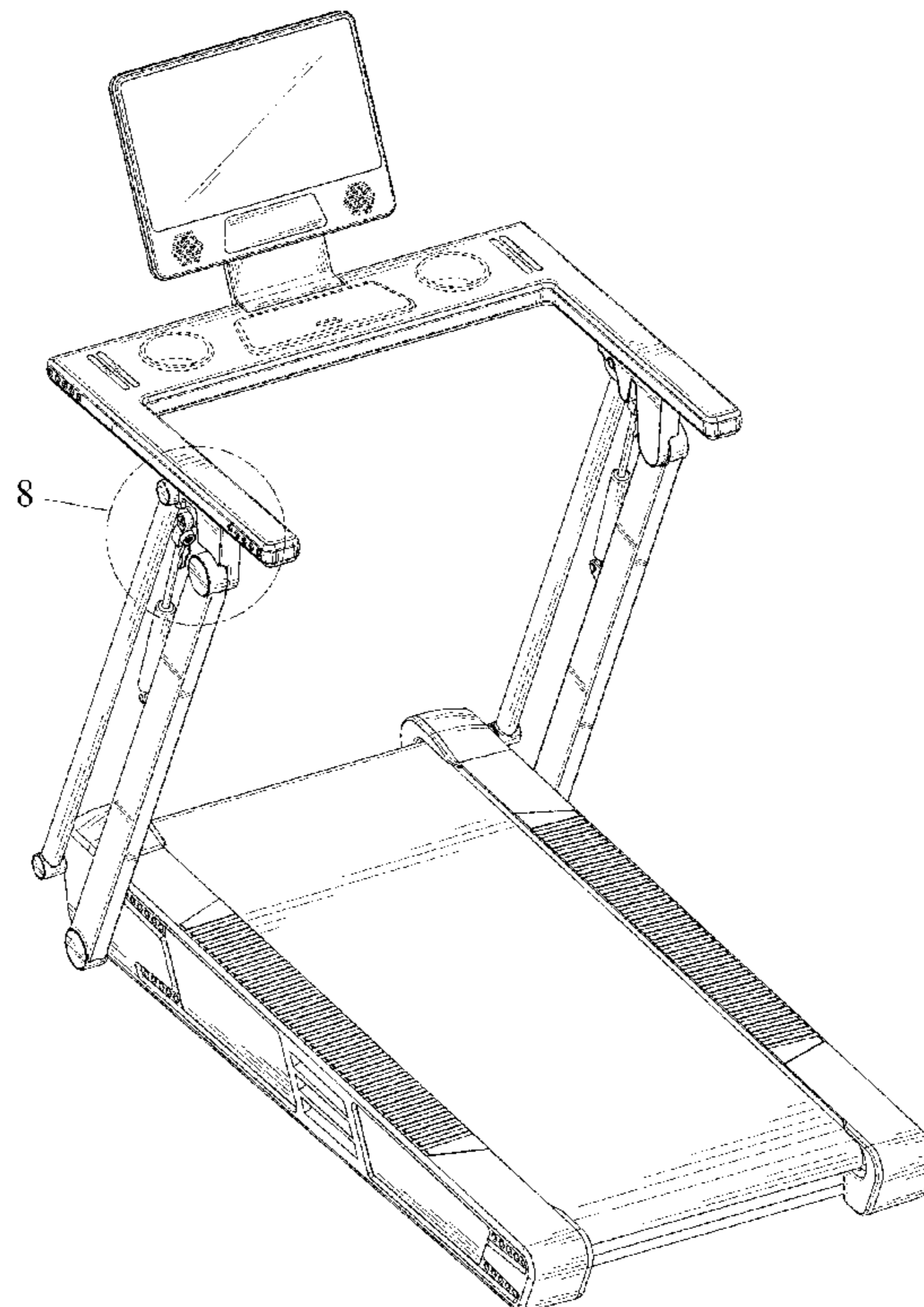
The broken lines in the figures illustrate portions the treadmill that form no part of the claimed design.

(56) **References Cited**

U.S. PATENT DOCUMENTS

D854,101 S * 7/2019 Kruse D21/669
D907,722 S * 1/2021 Fang D21/669
D948,640 S * 4/2022 Chatham D21/669
D952,769 S * 5/2022 Hu D21/669
D965,082 S * 9/2022 Zeng D21/669

1 Claim, 10 Drawing Sheets



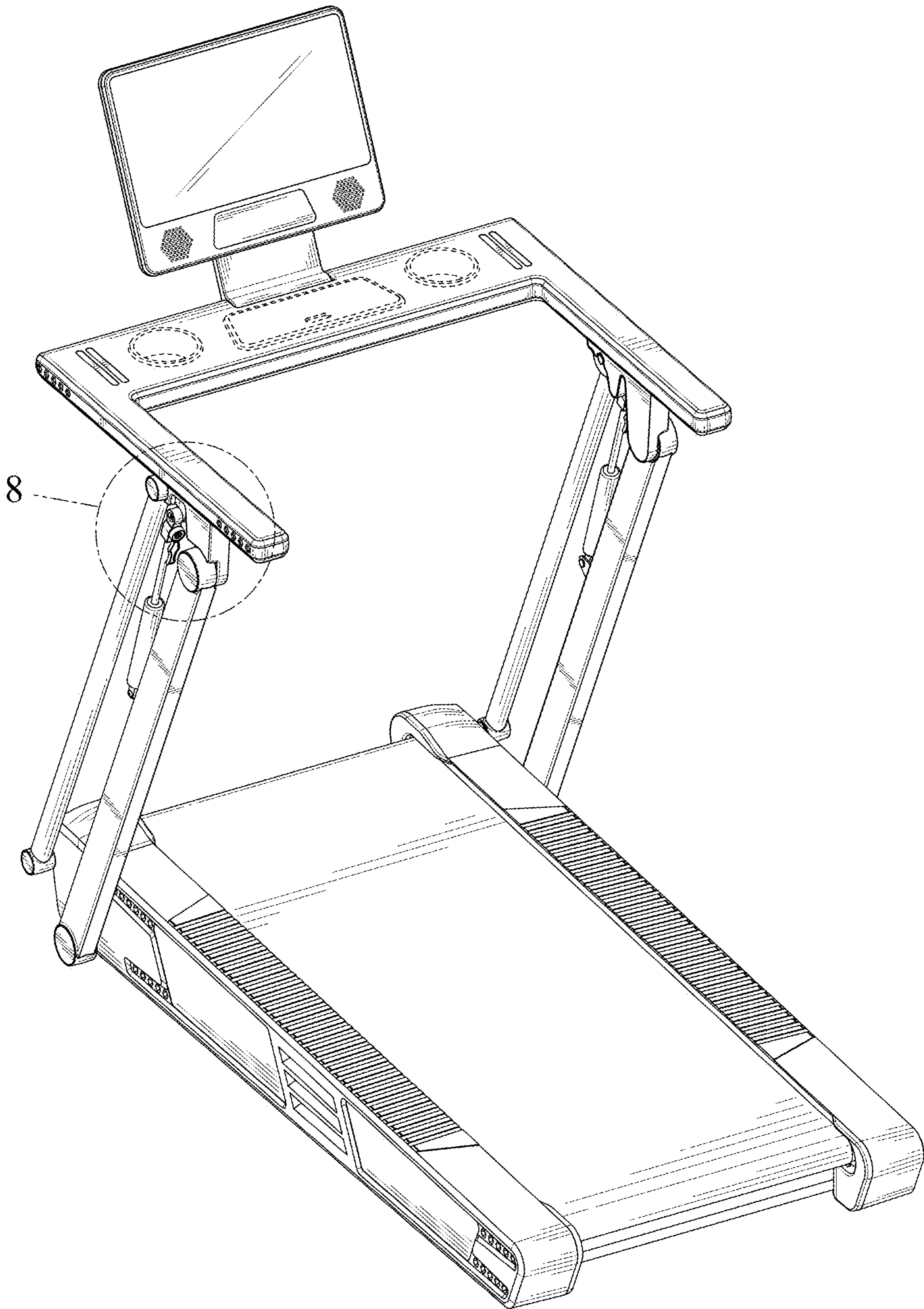


FIG. 1

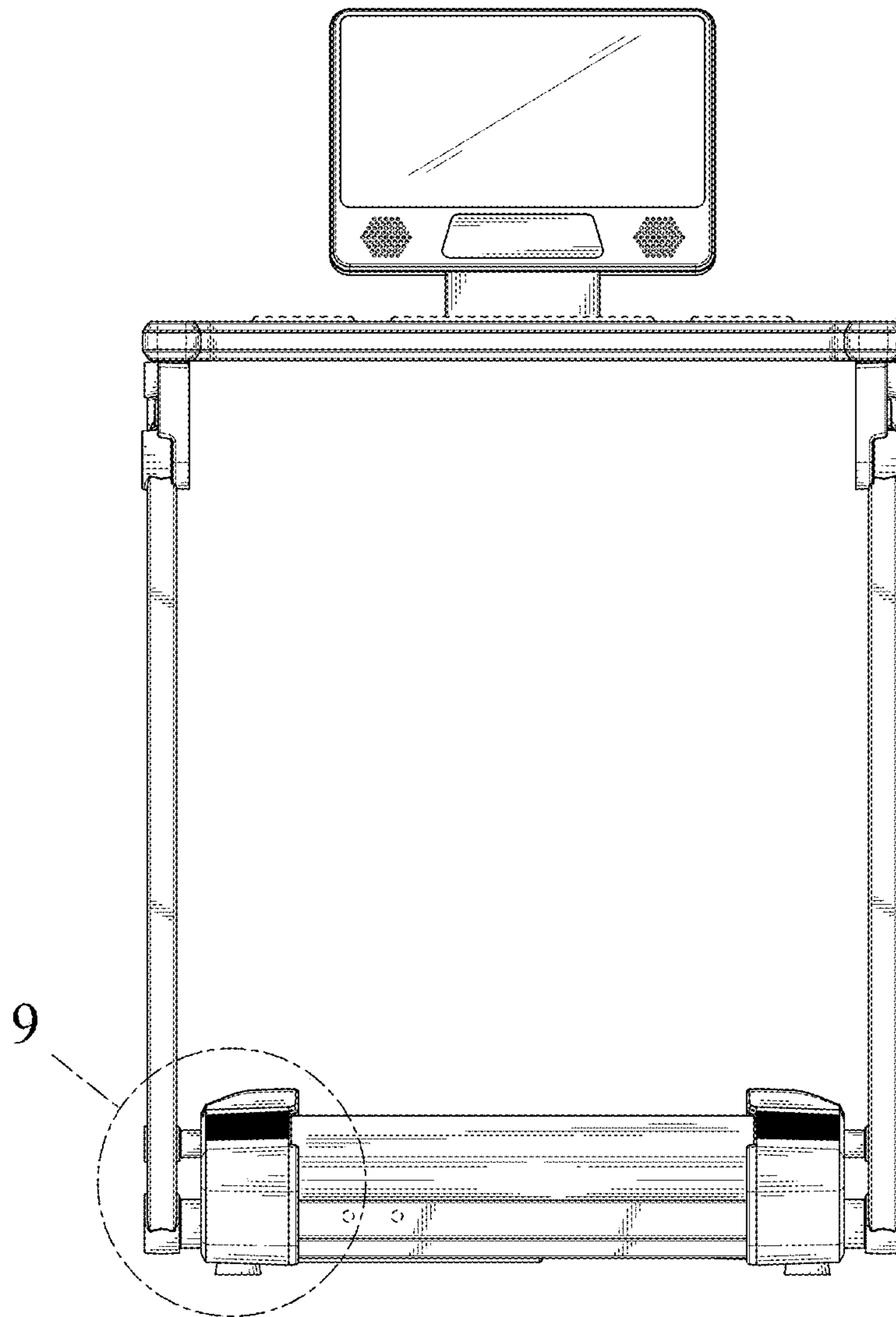


FIG. 2

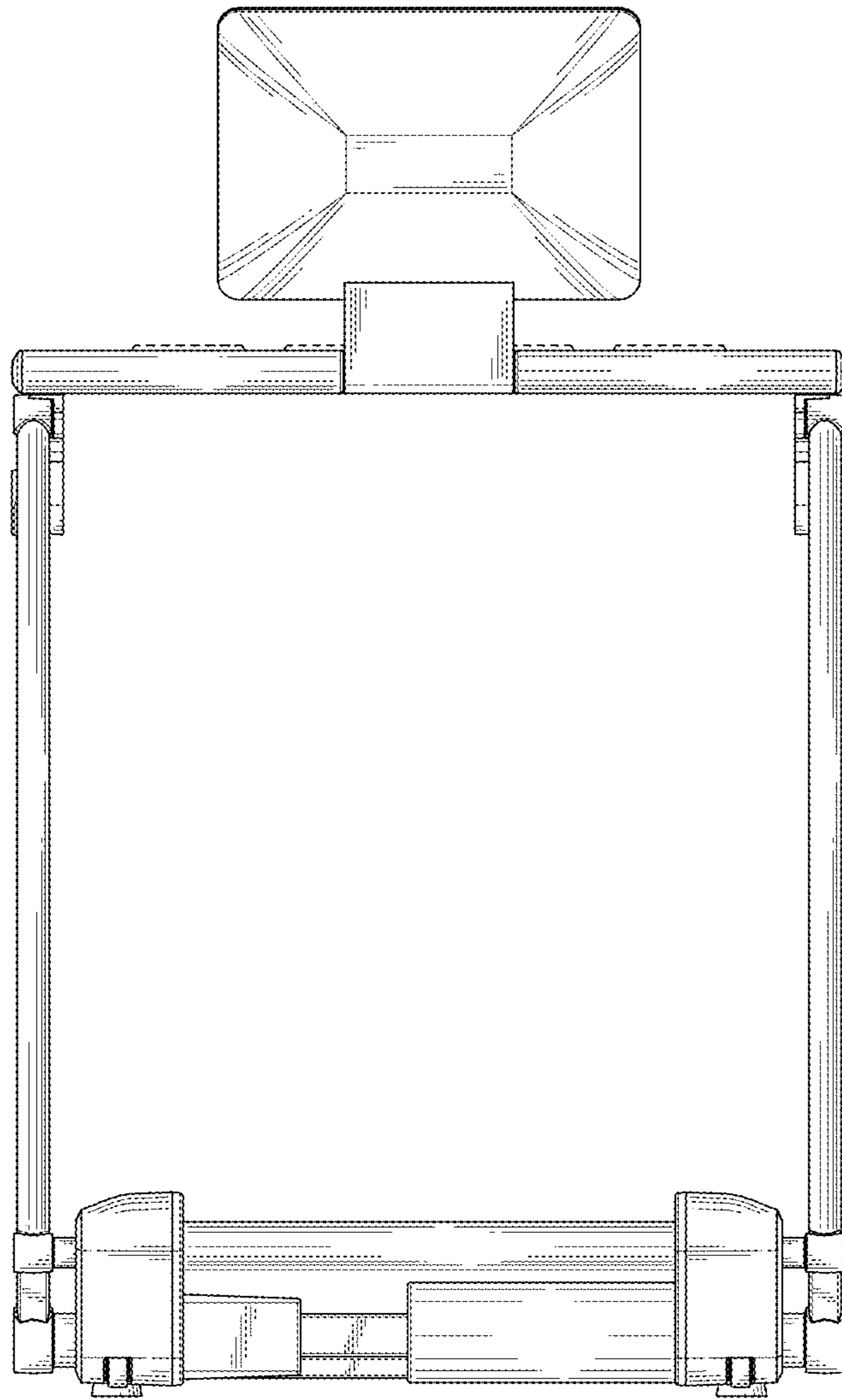


FIG. 3

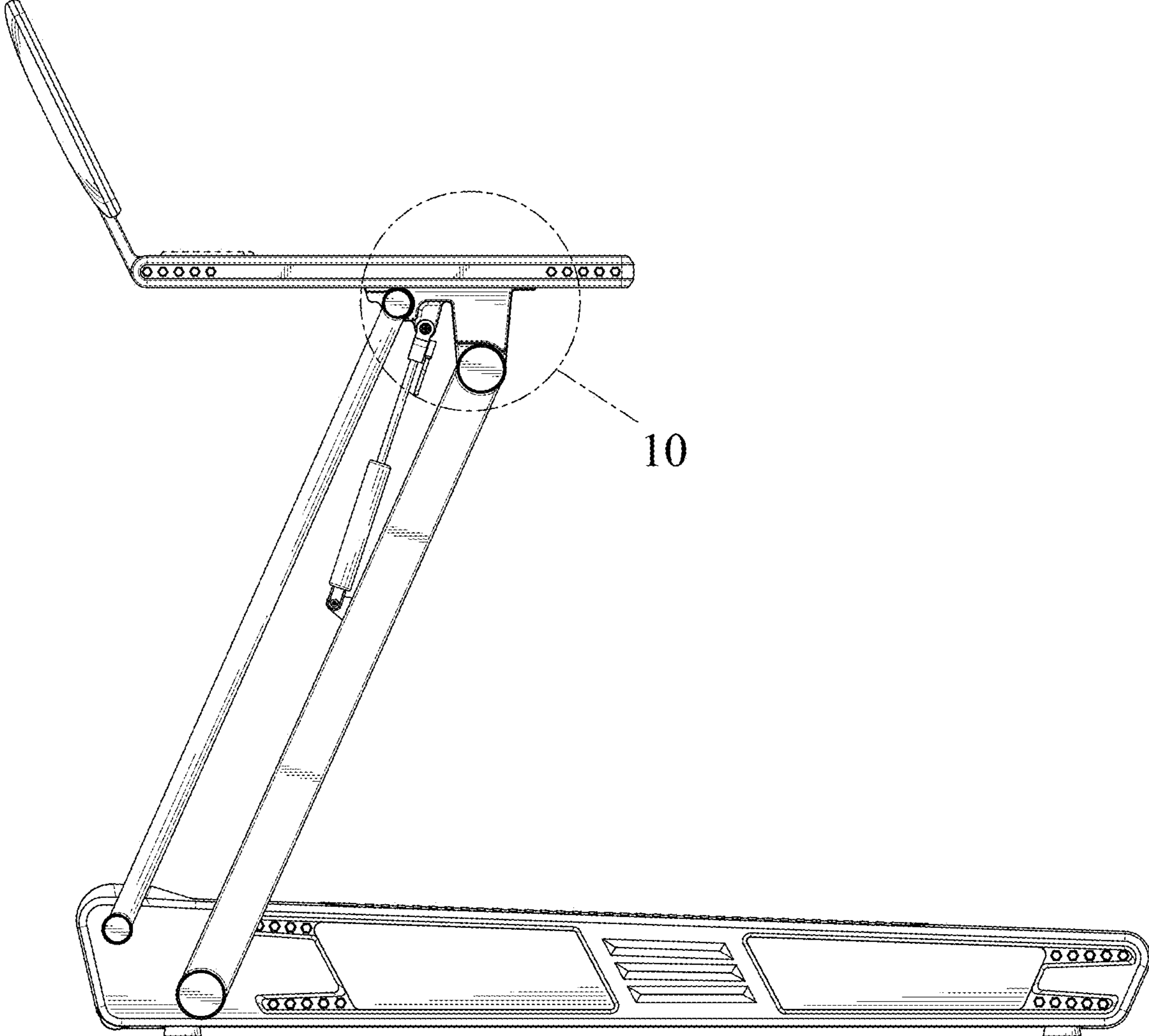


FIG. 4

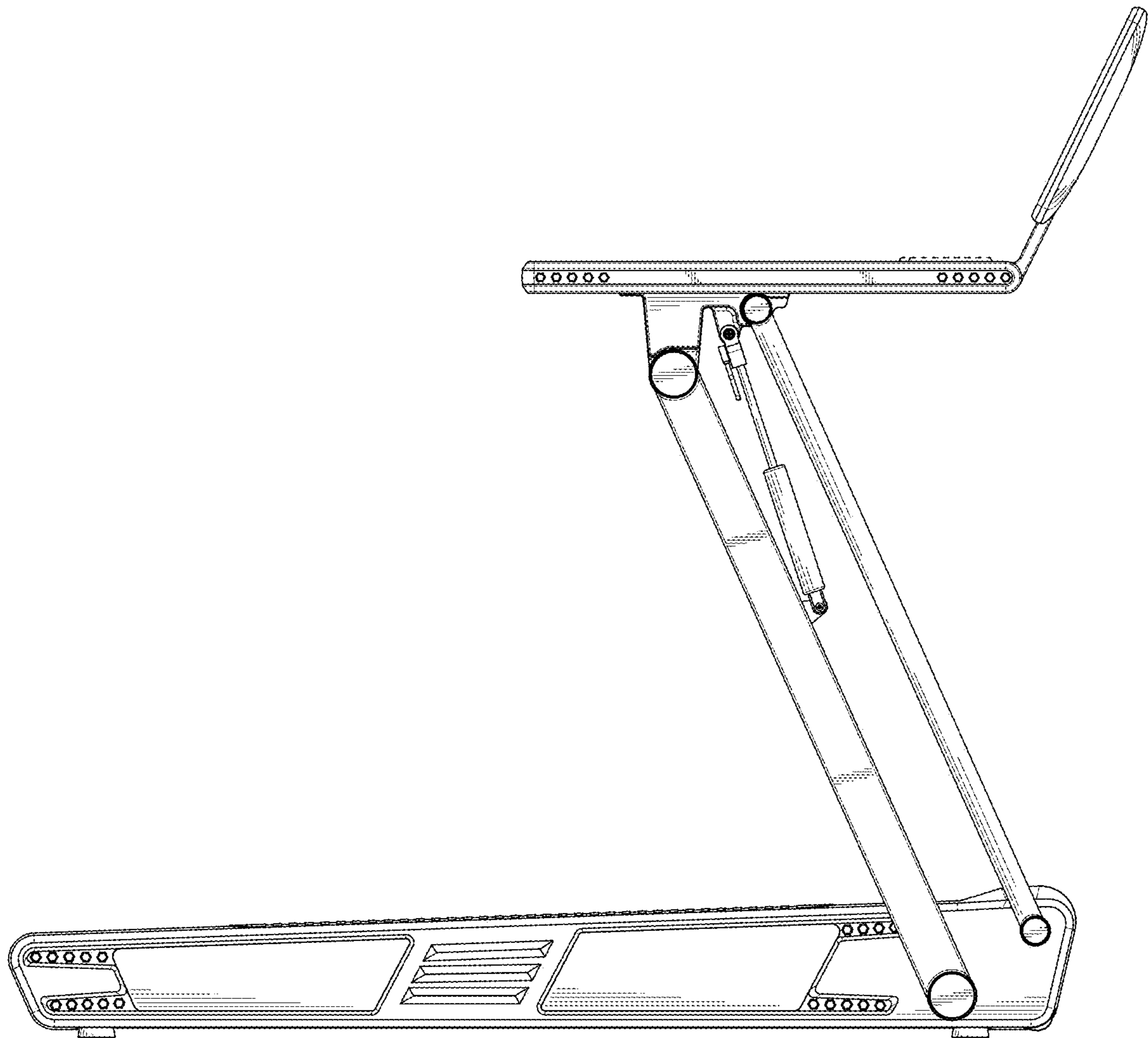


FIG. 5

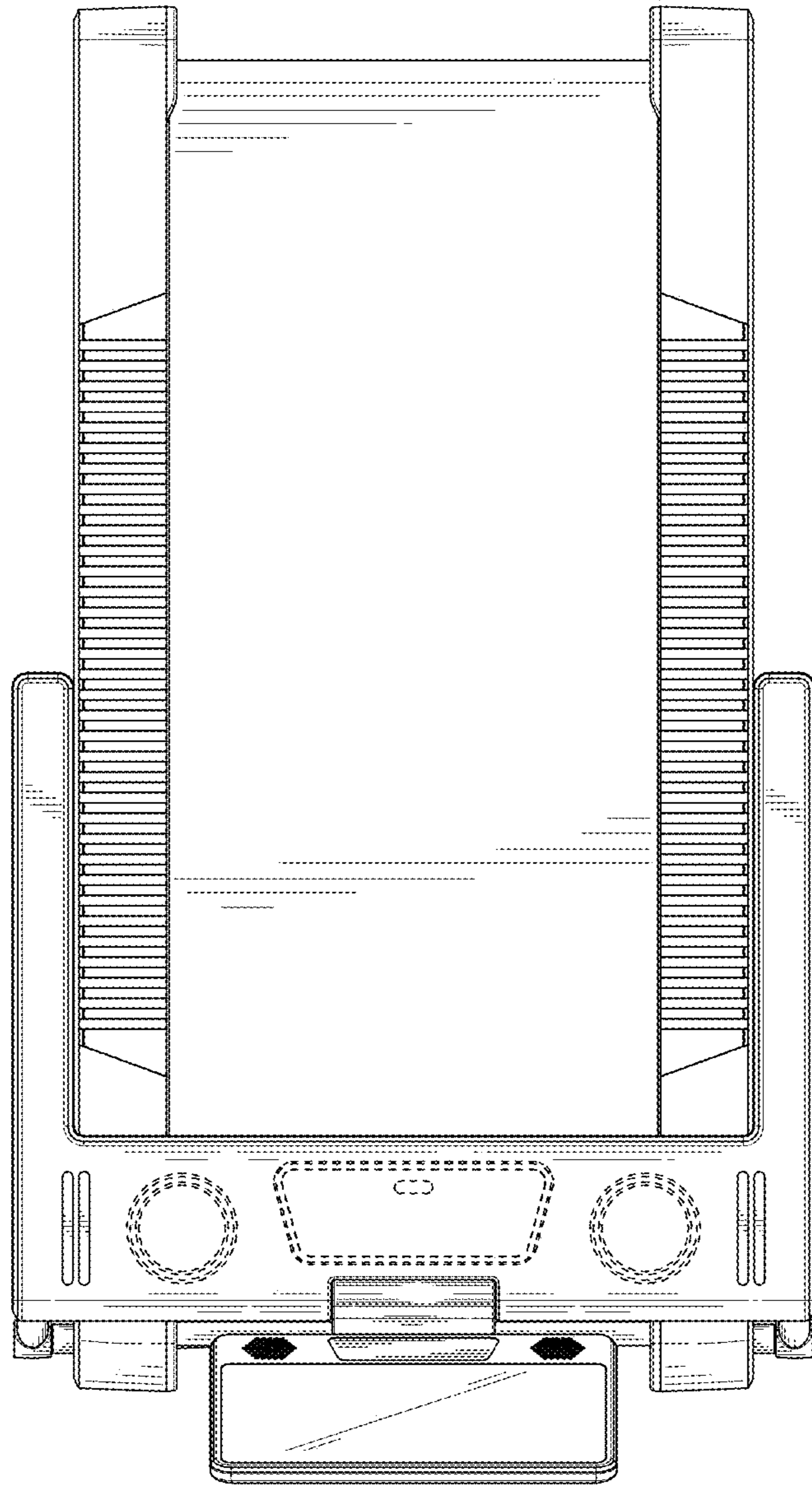


FIG. 6

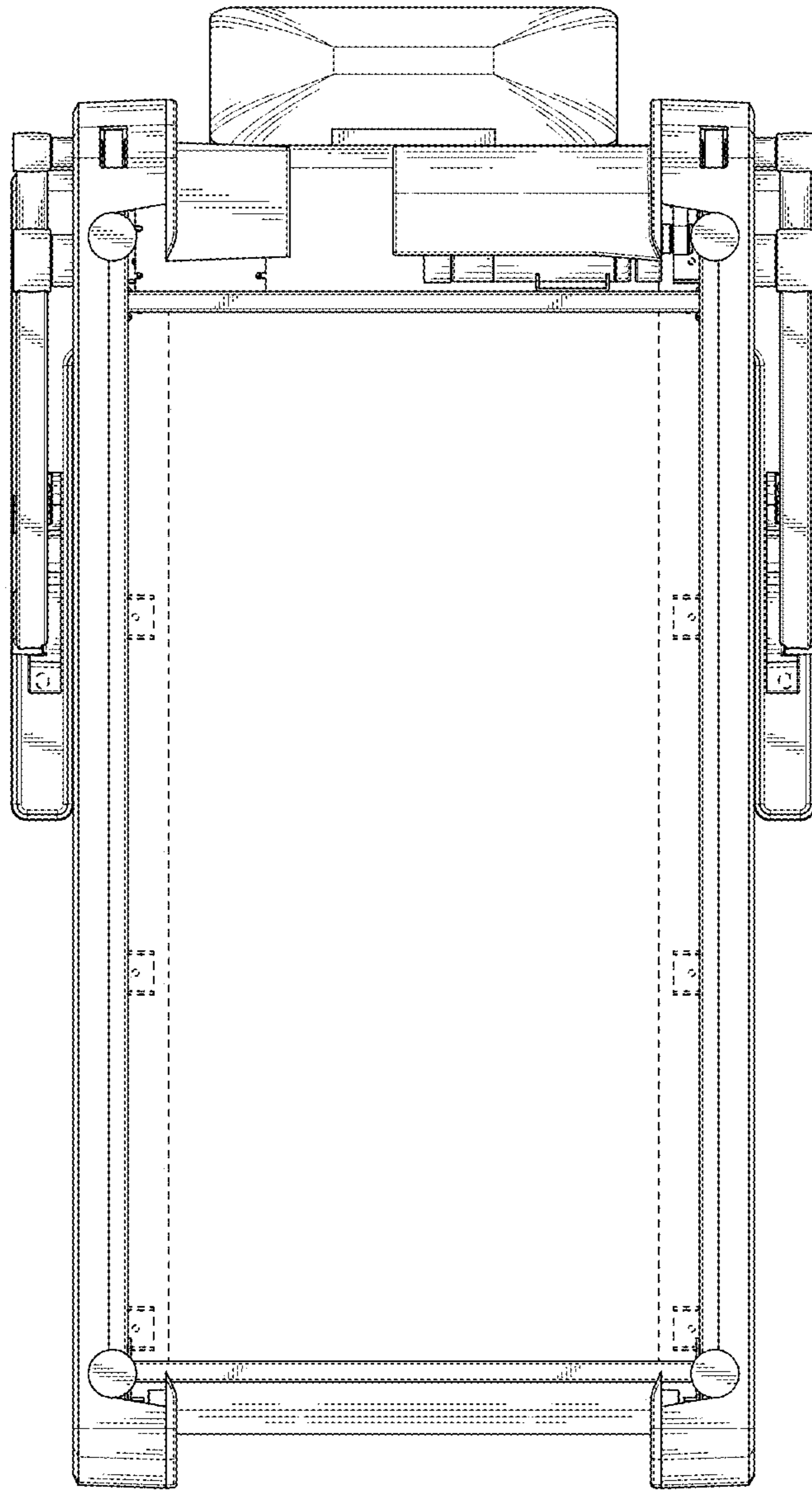


FIG. 7

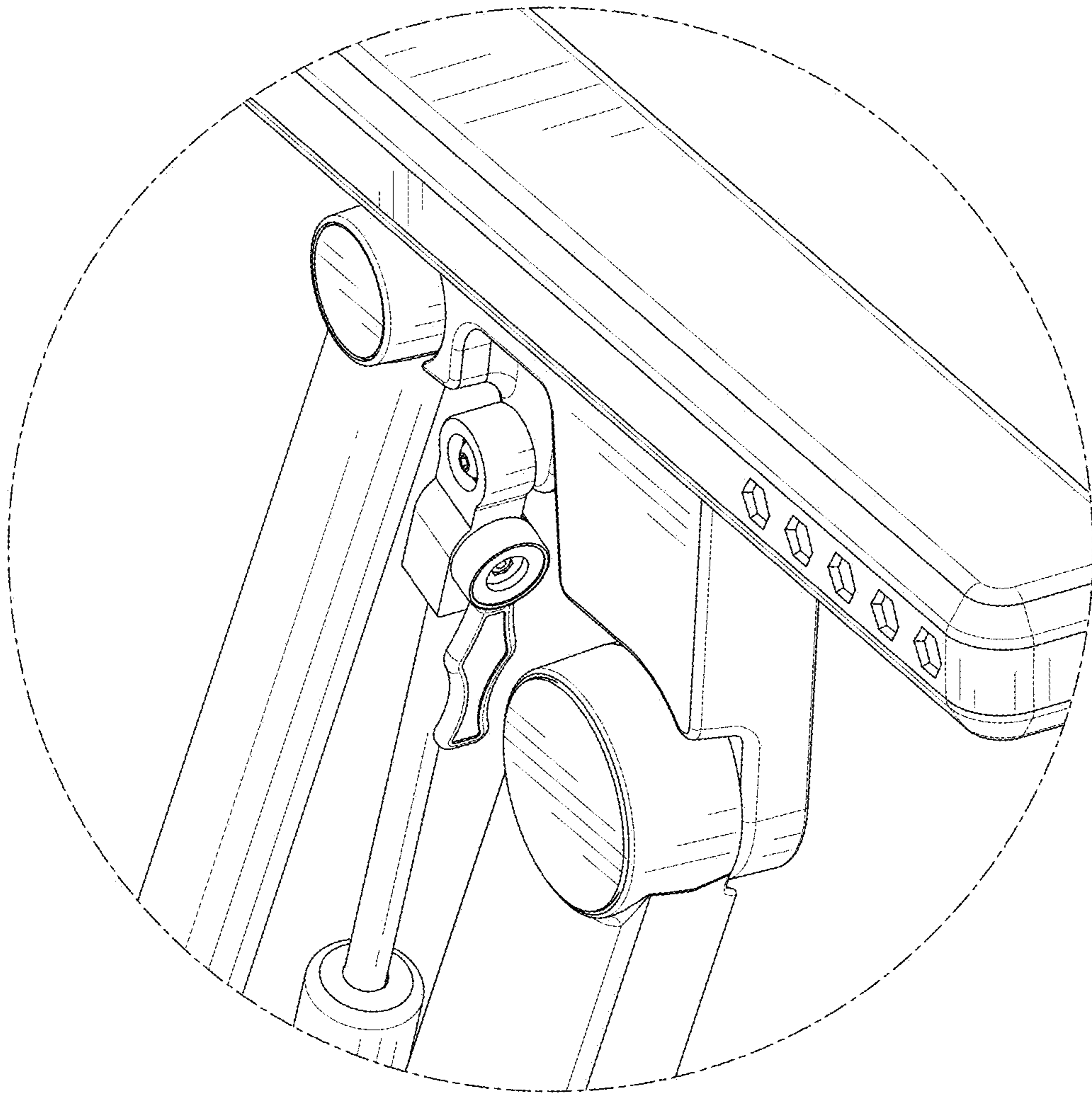


FIG. 8

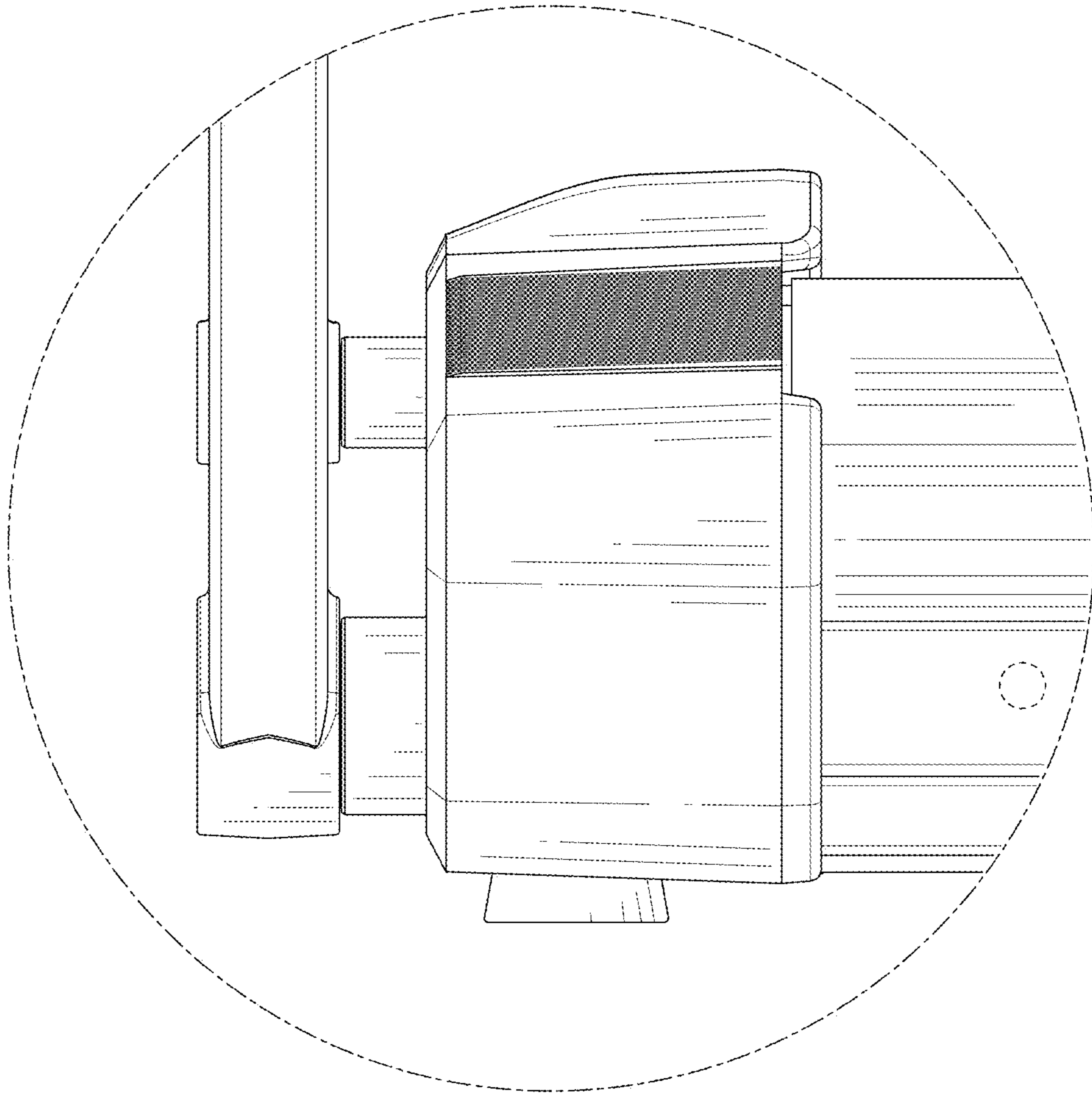


FIG. 9

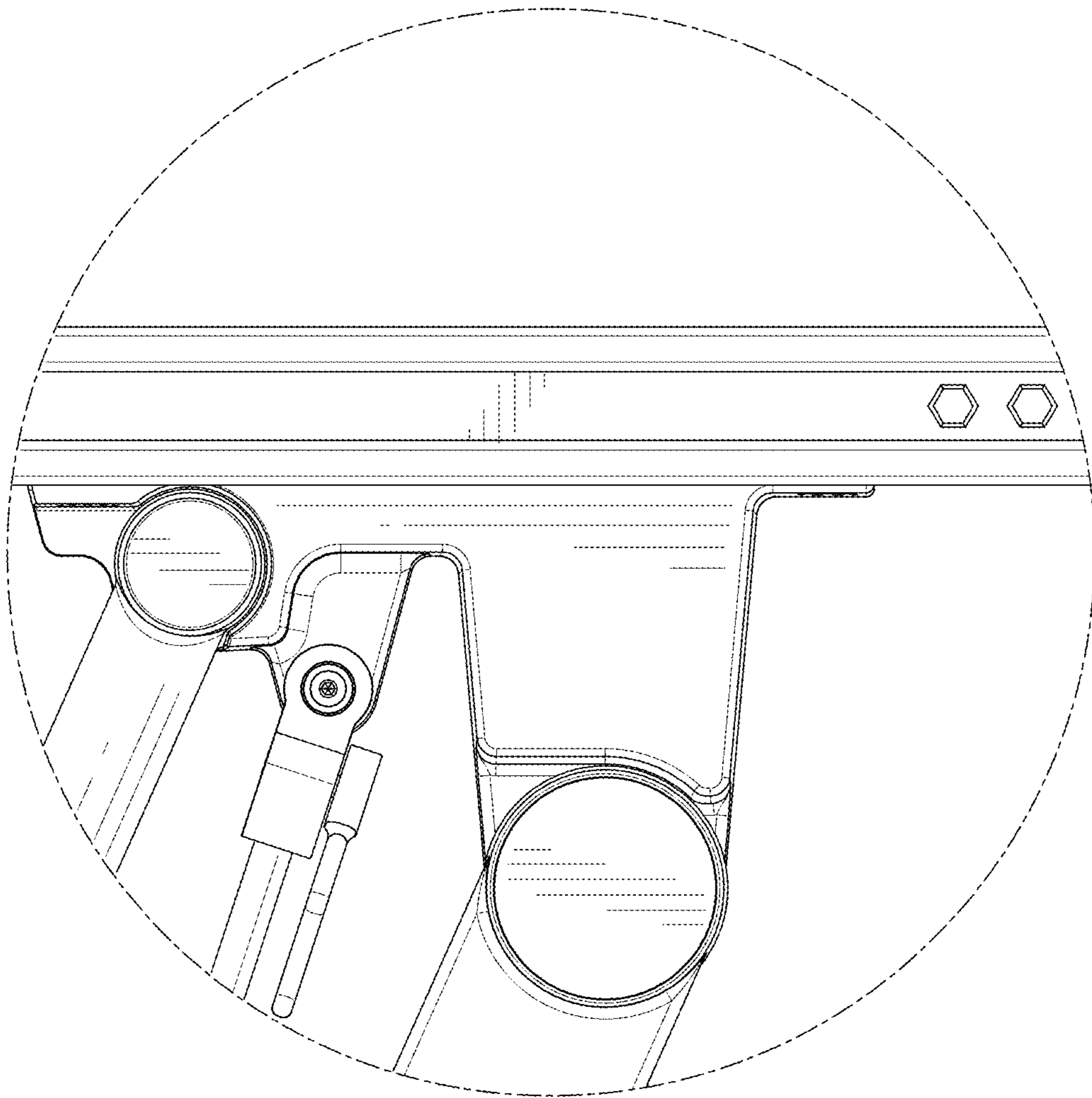


FIG. 10