



US00D989196S

(12) **United States Design Patent**
Zhou

(10) **Patent No.:** **US D989,196 S**
(45) **Date of Patent:** **** Jun. 13, 2023**

(54) **TREADMILL**

(71) Applicant: **Yongkang Saihan Electronic Technology Co., Ltd., Jinhua (CN)**

(72) Inventor: **Zhiping Zhou, Jinhua (CN)**

(73) Assignee: **Yongkang Saihan Electronic Technology Co., Ltd., Jinhua (CN)**

(**) Term: **15 Years**

(21) Appl. No.: **29/816,960**

(22) Filed: **Nov. 26, 2021**

(30) **Foreign Application Priority Data**

Jun. 25, 2021 (CN) 202130396500.2

(51) **LOC (14) Cl.** **21-02**

(52) **U.S. Cl.**
USPC **D21/669**

(58) **Field of Classification Search**
USPC D21/668, 669, 686, 694, 662
See application file for complete search history.

(56) **References Cited**

U.S. PATENT DOCUMENTS

- 6,390,955 B1 * 5/2002 Wang A63B 22/02 482/54
- D888,845 S * 6/2020 Luo D21/669
- D889,569 S * 7/2020 Luo D21/669
- D910,123 S * 2/2021 Li D21/669
- D929,511 S * 8/2021 Chen D21/669
- D934,353 S * 10/2021 Hu D21/669
- D934,961 S * 11/2021 Luo D21/669
- D935,537 S * 11/2021 Wang D21/669

- D952,064 S * 5/2022 Pan D21/669
- D966,437 S * 10/2022 Tian D21/669
- 2016/0279465 A1 * 9/2016 Chang A63B 22/02

FOREIGN PATENT DOCUMENTS

- CN 202030677125.4 * 11/2020
- CN 202130373305.8 * 9/2021

OTHER PUBLICATIONS

Goplus store, announced 2020 [online], [site visited Jan. 19, 2023]. Available on internet, URL: <https://www.amazon.com/Goplus-Treadmill-Electric-Installation-Free-Bluetooth/dp/B08FCFYHKL/ref> (Year: 2020).*

* cited by examiner

Primary Examiner — Khawaja Anwar
Assistant Examiner — Julice Seung Eun Oum

(57) **CLAIM**

The ornamental design for a treadmill, shown and described.

DESCRIPTION

FIG. 1 is a top, front and left perspective view of a treadmill showing my new design;
FIG. 2 is a front view thereof;
FIG. 3 is a rear view thereof;
FIG. 4 is a left side view thereof;
FIG. 5 is a right side view thereof;
FIG. 6 is a top plan view thereof;
FIG. 7 is a bottom plan view thereof;
FIG. 8 is an enlarged partial view of FIG. 1; and,
FIG. 9 is an enlarged partial view of FIG. 1.
The broken lines in the figures illustrate portions the treadmill that form no part of the claimed design.

1 Claim, 9 Drawing Sheets

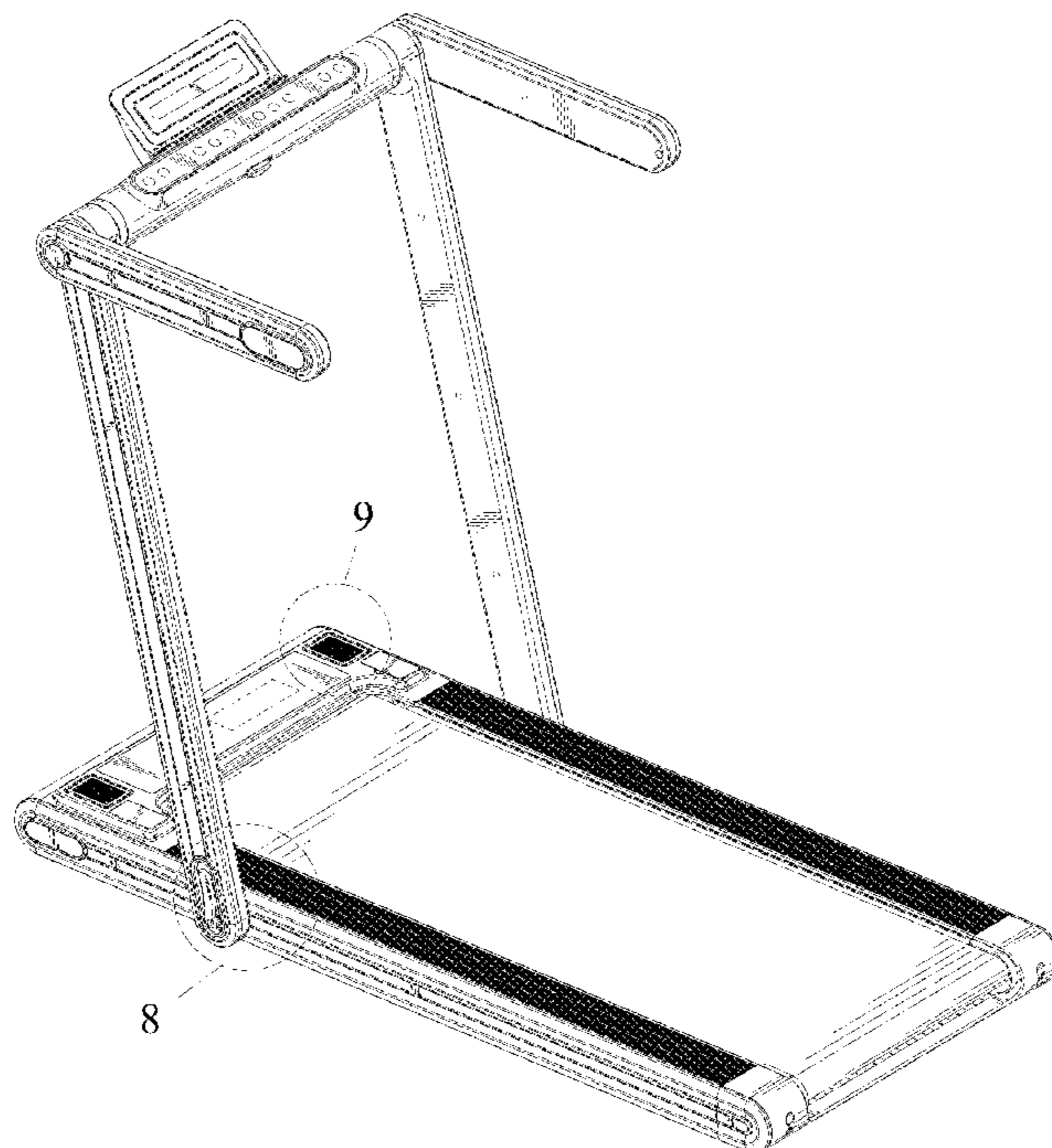




FIG. 1

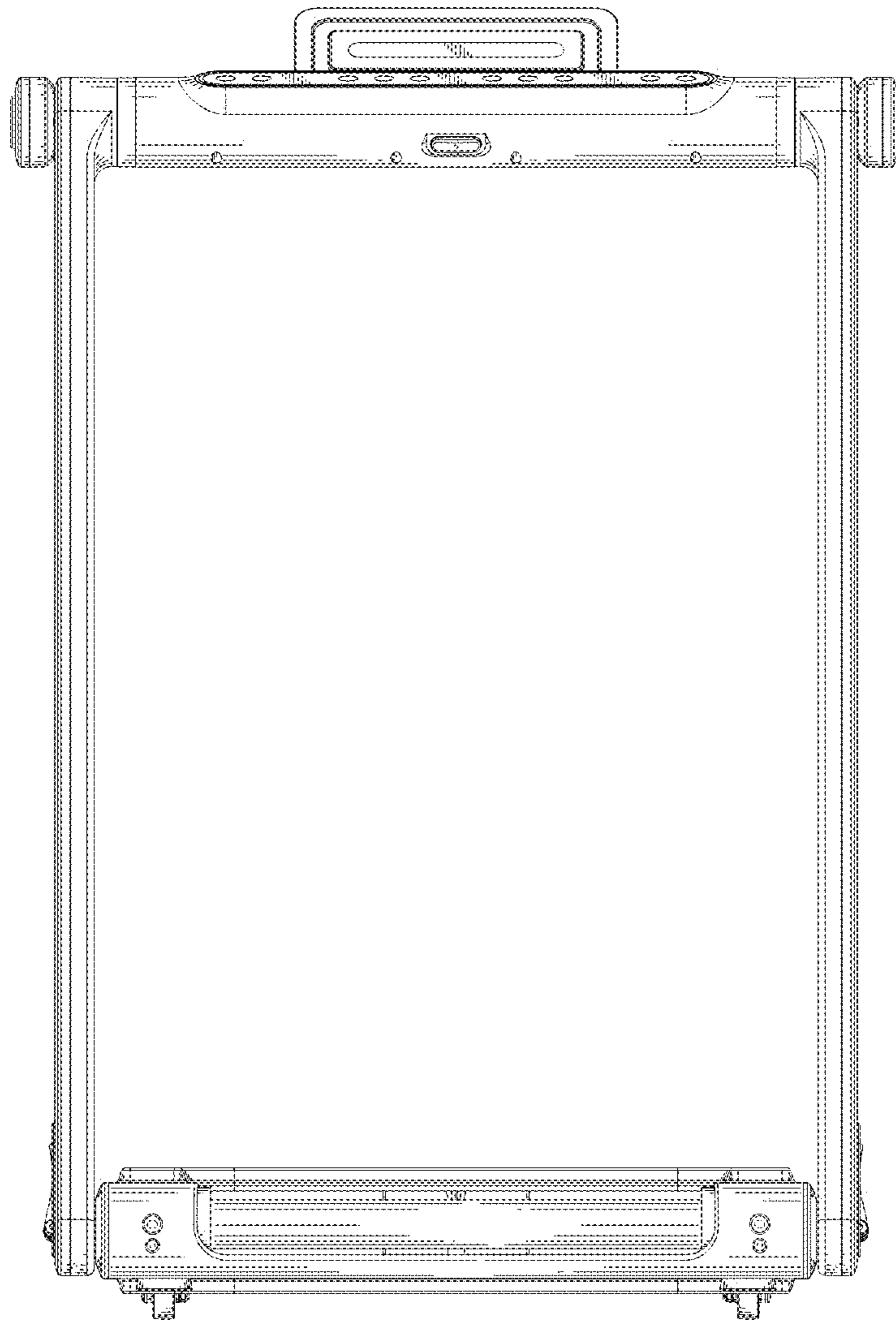


FIG. 2

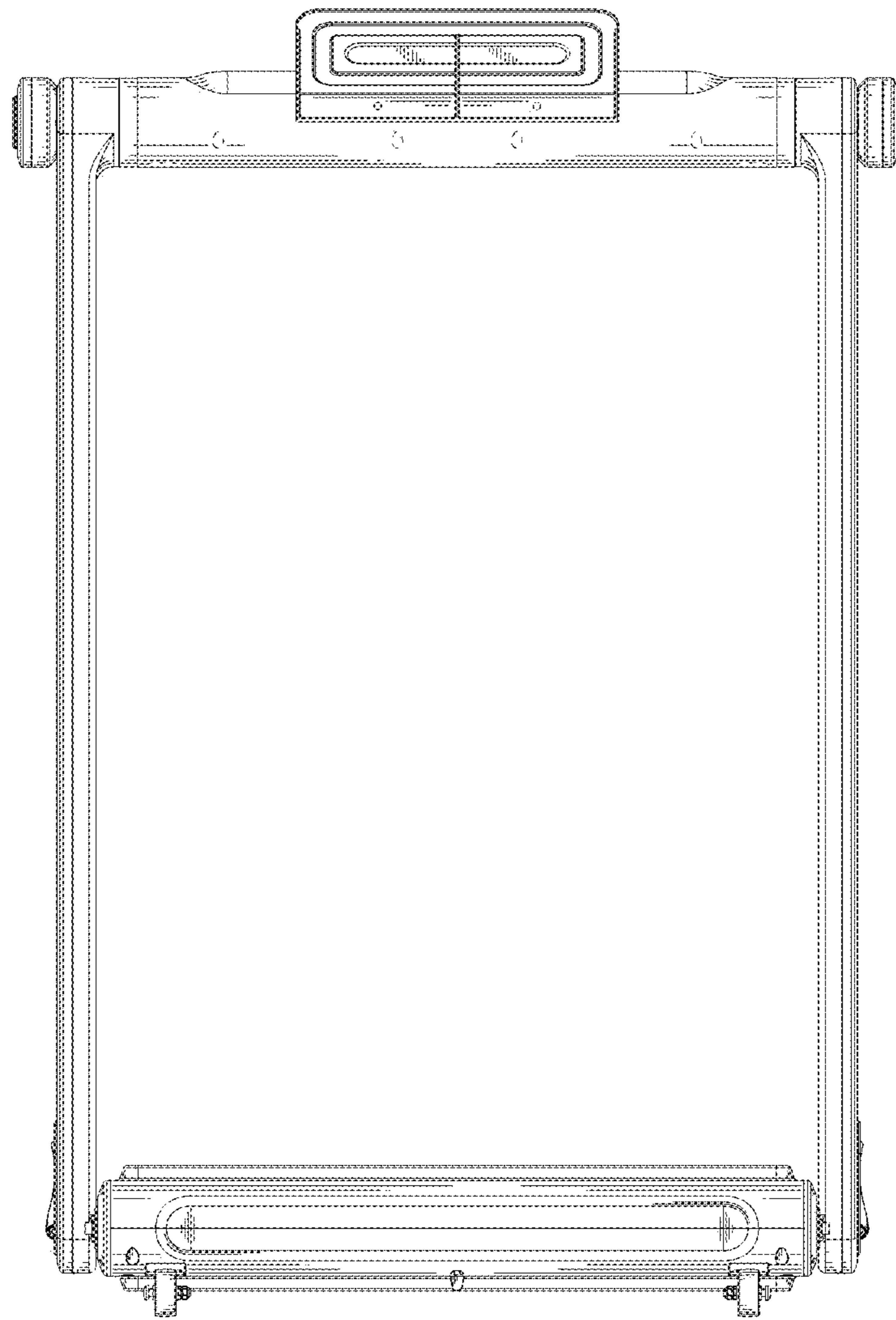


FIG. 3

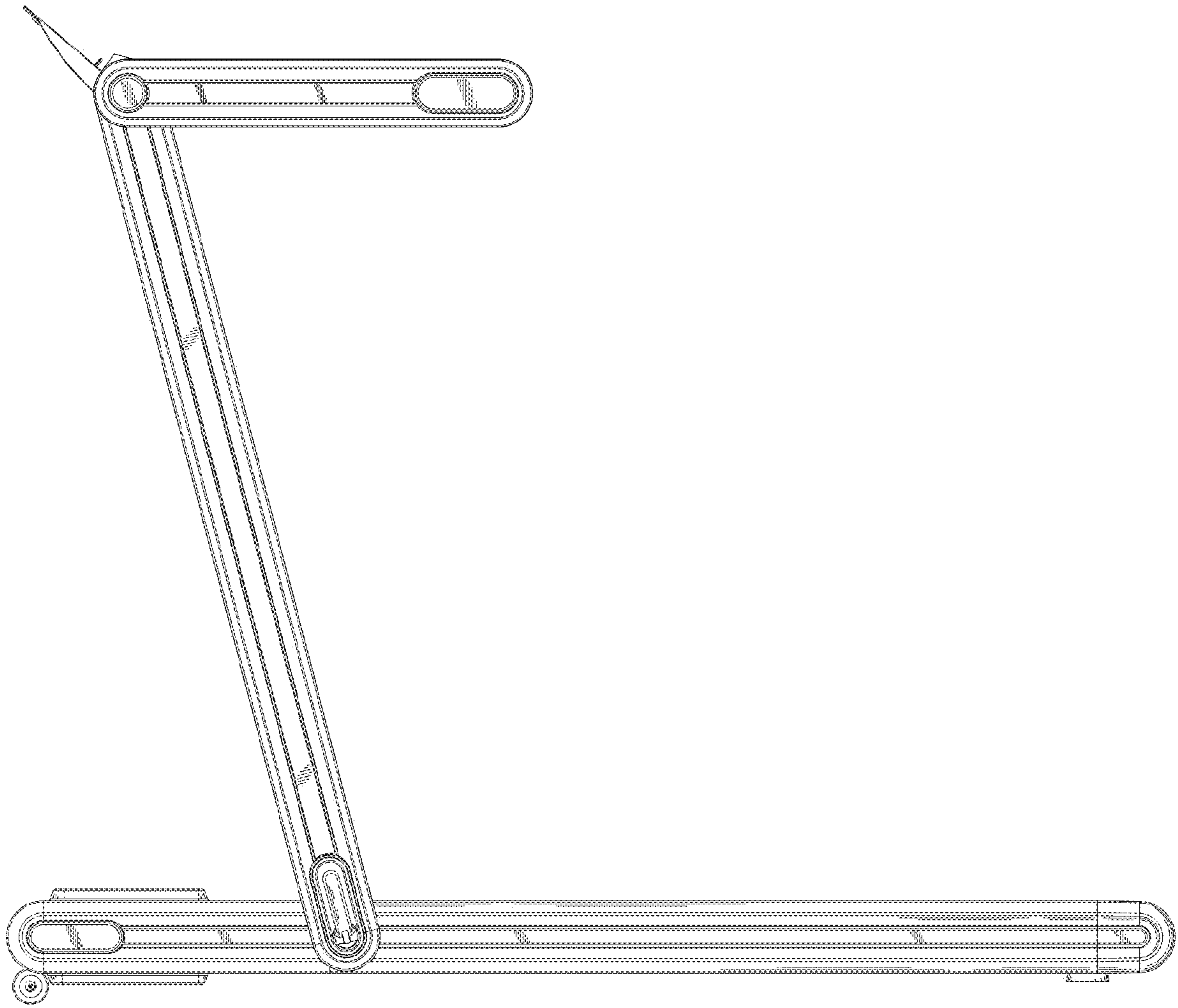


FIG. 4

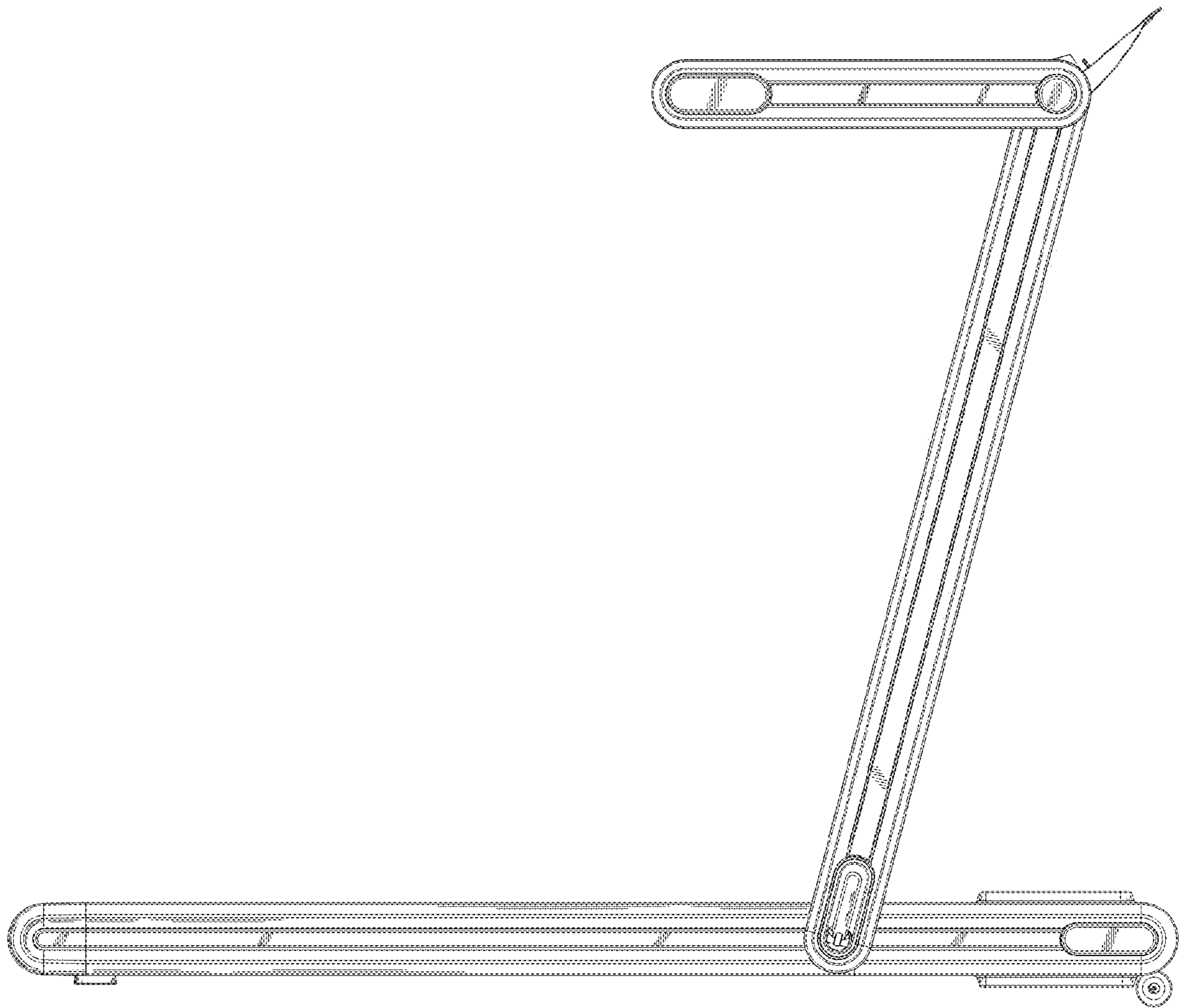


FIG. 5

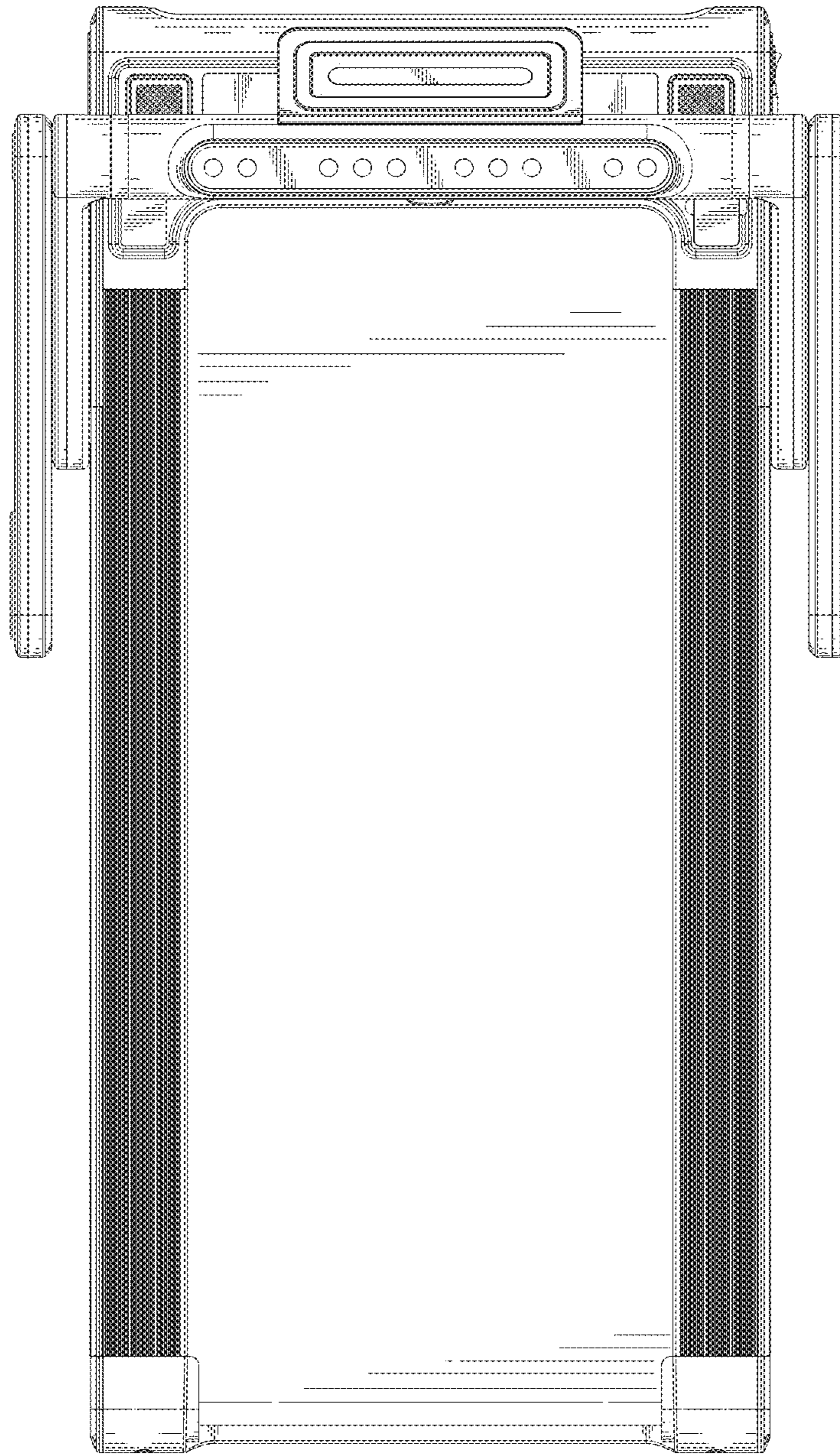


FIG. 6

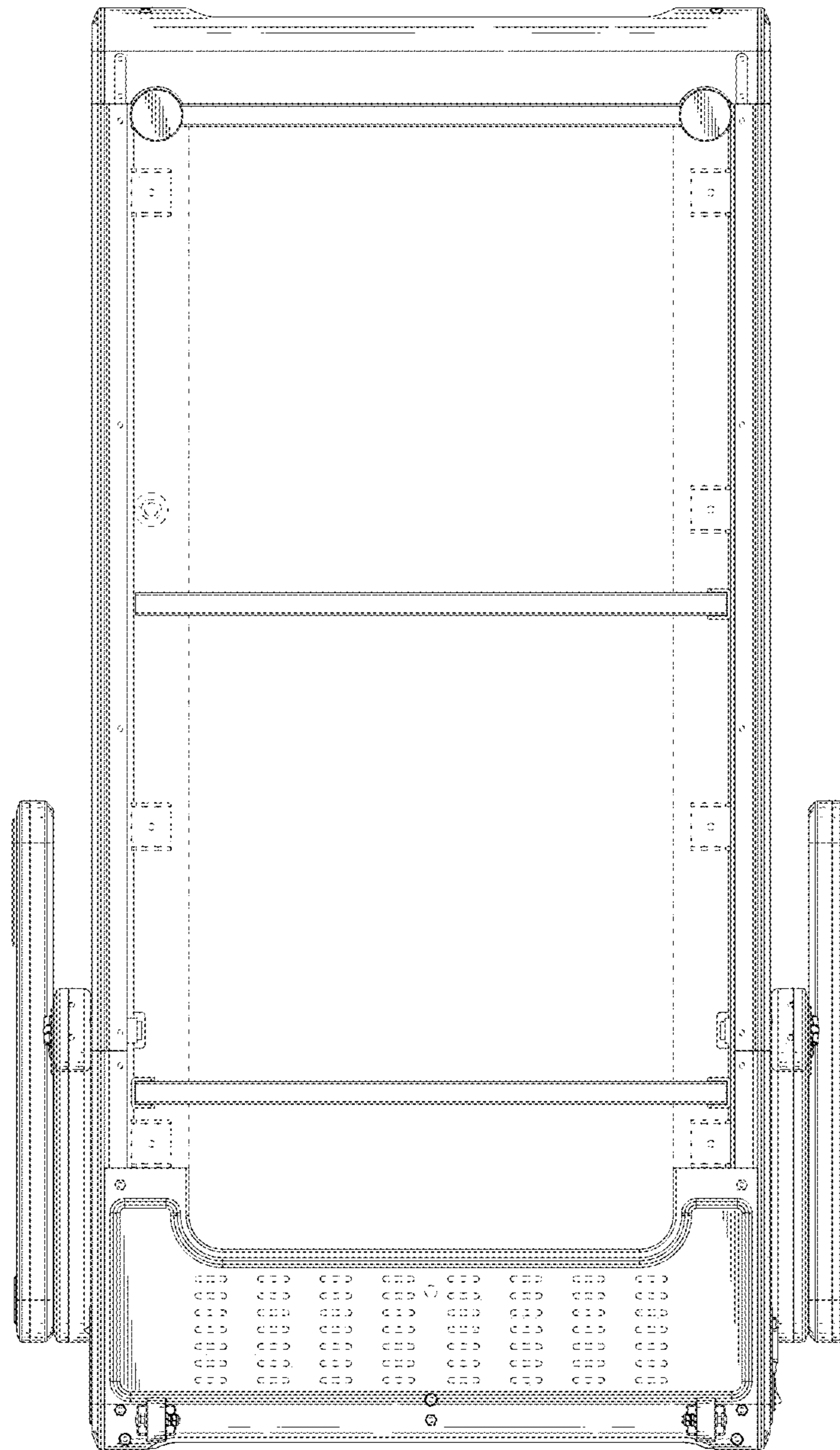


FIG. 7

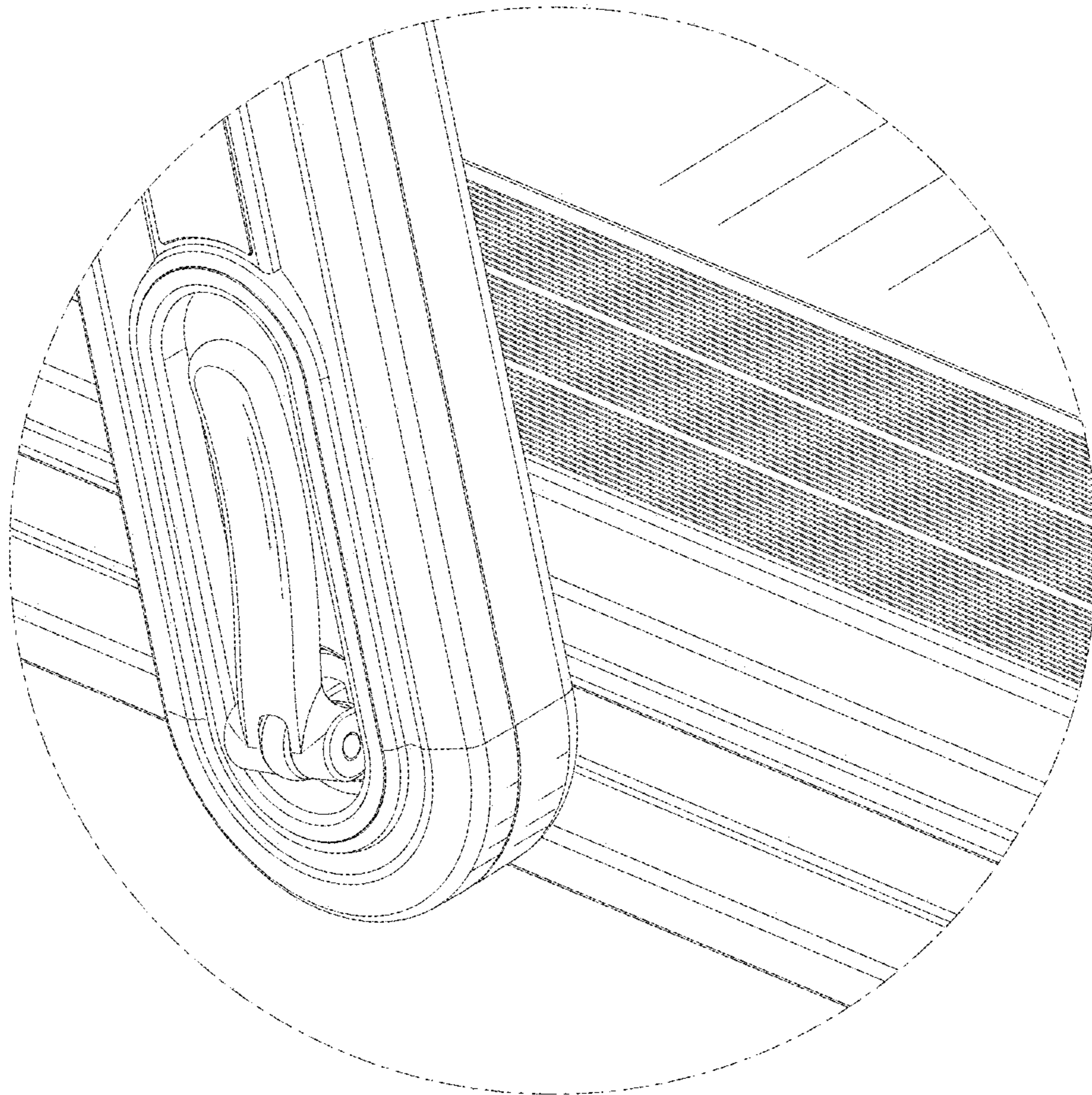


FIG. 8

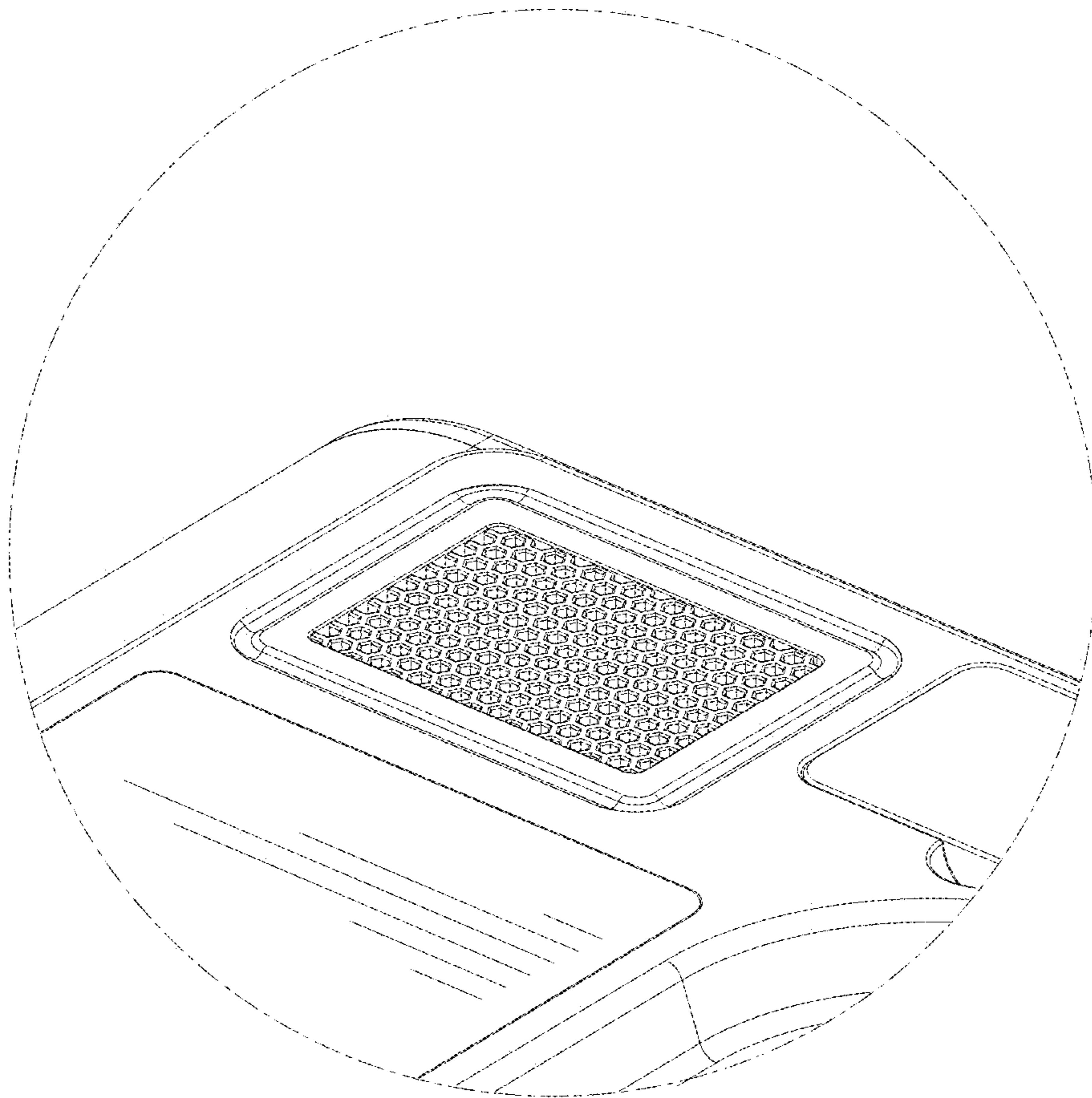


FIG. 9