



US00D989195S

(12) **United States Design Patent**
Pasternak

(10) **Patent No.:** **US D989,195 S**
(45) **Date of Patent:** **** Jun. 13, 2023**

(54) **EXERCISE DEVICE**

(71) Applicant: **Harley Pasternak**, Los Angeles, CA
(US)

(72) Inventor: **Harley Pasternak**, Los Angeles, CA
(US)

(**) Term: **15 Years**

(21) Appl. No.: **29/777,844**

(22) Filed: **Apr. 8, 2021**

(51) **LOC (14) Cl.** **21-02**

(52) **U.S. Cl.**
USPC **D21/662**

(58) **Field of Classification Search**

USPC D21/662, 680, 681, 682, 684, 698;
D6/552, 553; D3/201, 254; D9/737,
D9/756, 759, 414, 432
CPC A63B 21/072; A63B 21/00065; A63B
21/0726; A63B 21/0722; A63B 21/075;
A63B 21/078; A63B 21/4029; A63B
21/4035

See application file for complete search history.

(56) **References Cited**

U.S. PATENT DOCUMENTS

D406,718 S * 3/1999 Jacobs D6/601
6,110,194 A 8/2000 Saber
D523,494 S * 6/2006 Van Straaten D21/686
D523,913 S * 6/2006 Van Straaten D21/662
D526,033 S * 8/2006 Van Straaten D21/688
D526,369 S * 8/2006 Van Straaten D21/662

(Continued)

FOREIGN PATENT DOCUMENTS

DE 10 2004 049 248 A1 4/2006
JP D1618438 * 11/2018

OTHER PUBLICATIONS

Cork Egg Oval Block, bigamart.com, [online], [site visited Dec. 8,
2022], Available from internet, URL: <https://bigamart.com/product/>

cork-egg-oval-block-by-zenyogawedge-premium-100-natural-single-
brick-for-beginners-and-professionals-yoga-pilates-classes-home-
exercise-fitness-non-slip-grip-eco-friendly (Year: 2022).*

(Continued)

Primary Examiner — Samantha Q Lawrence

Assistant Examiner — Thanh Luu Wong

(74) *Attorney, Agent, or Firm* — Neal, Gerber &
Eisenberg LLP

(57) **CLAIM**

The ornamental design for an exercise device, as shown and
described herein.

DESCRIPTION

FIG. 1 is a front perspective view of one embodiment of an
exercise device of my new design.

FIG. 2 is a front plan view of the exercise device of my new
design illustrated in FIG. 1.

FIG. 3 is a top plan view of the exercise device of my new
design illustrated in FIG. 1.

FIG. 4 is a bottom plan view of the exercise device of my
new design illustrated in FIG. 1.

FIG. 5 is a side plan view of the exercise device of my new
design illustrated in FIG. 1.

FIG. 6 is an opposite side plan view of the exercise device
of my new design illustrated in FIG. 1.

FIG. 7 is a front perspective view of another embodiment of
an exercise device of my new design.

FIG. 8 is a front plan view of the exercise device of my new
design illustrated in FIG. 7.

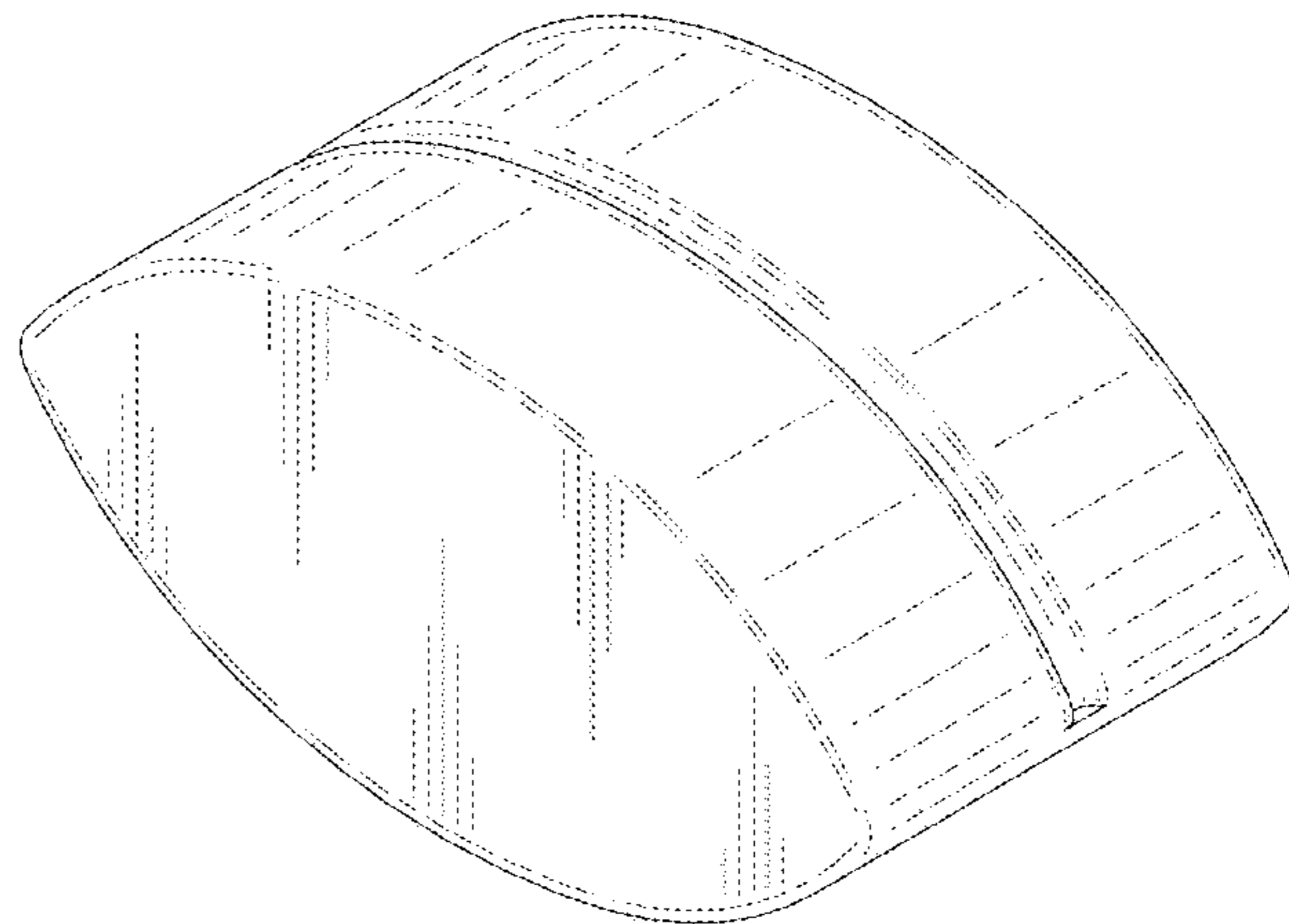
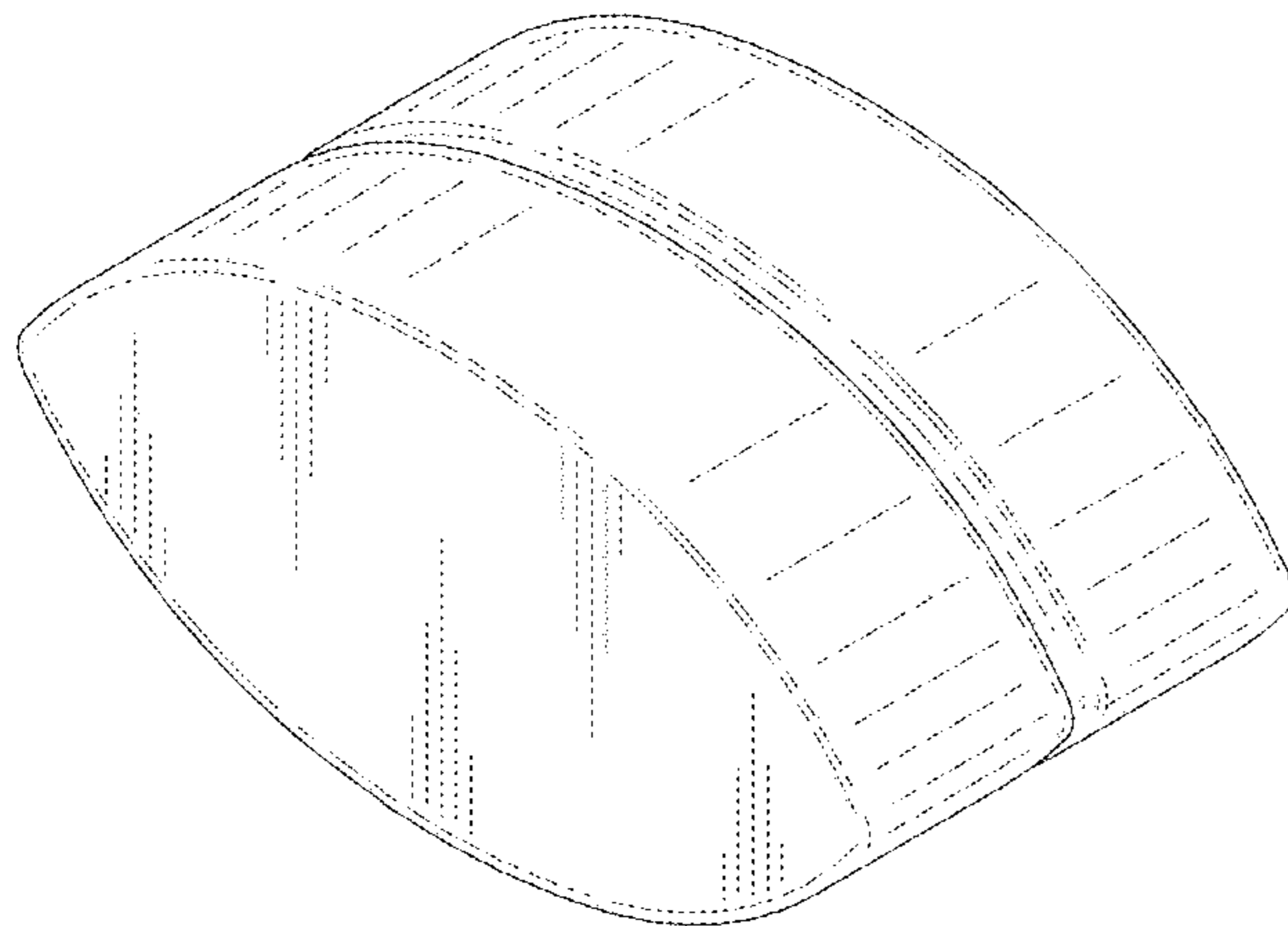
FIG. 9 is a top plan view of the exercise device of my new
design illustrated in FIG. 7.

FIG. 10 is a bottom plan view of the exercise device of my
new design illustrated in FIG. 7.

FIG. 11 is a side plan view of the exercise device of my new
design illustrated in FIG. 7; and,

FIG. 12 is an opposite side plan view of the exercise device
of my new design illustrated in FIG. 7.

1 Claim, 6 Drawing Sheets



(56)

References Cited

OTHER PUBLICATIONS

U.S. PATENT DOCUMENTS

D540,112	S *	4/2007	Nichols	D7/354
D571,871	S *	6/2008	Backstrand	D21/686
D580,817	S *	11/2008	Zarzaur	D11/157
D623,293	S *	9/2010	Horsley	D24/135
8,167,777	B2	5/2012	Nichols	
D695,857	S *	12/2013	Sterios	D21/686
D701,582	S *	3/2014	Sterios	D21/686
D703,772	S *	4/2014	Sterios	D21/688
D707,312	S *	6/2014	Sterios	D21/686
D718,526	S *	12/2014	Barron	D3/254
D763,978	S *	8/2016	Gustafson	D21/688
D779,601	S *	2/2017	Scholder	A63B 21/4039 D21/686
D828,179	S *	9/2018	Mark	D9/668
D941,943	S *	1/2022	van Straaten	D21/688
D963,080	S *	9/2022	van Straaten	D21/688
2010/0062918	A1 *	3/2010	Scholder	A63B 21/00047 482/148
2010/0139000	A1	6/2010	Vladeta	
2010/0184567	A1 *	7/2010	Lim	A63B 21/0004 482/23
2013/0190515	A1	7/2013	Tan et al.	
2014/0065277	A1 *	3/2014	Micara-Sartori	A22C 7/0076 426/513

Smarter Spotter, resilite.com, [online], [site visited date Dec. 8, 2022], Available from the internet, URL: <https://www.resilite.com/store/pub/smarter-spotter> (Year: 2022).*

Medibow, medibow.de, [online], [site visited date Dec. 8, 2022], Available from the internet, URL: <https://medibow.de/> (Year: 2022).*

Medibow Facebook, facebook.com, first available Apr. 10, 2012 [online], [site visited date Dec. 8, 2022], Available from the internet, URL: <https://www.facebook.com/Medibow> (Year: 2012).*

Pilates con il Medibow, pilatesnove.it, first available Sep. 19, 2018 [online], [site visited date Dec. 8, 2022], Available from the internet, URL: <http://www.pilatesnove.it/news/2018/09/19/pilates-con-il-medibow/> (Year: 2018).*

Instagram post entitled “The amazing @iamlensheadey killing her core and legs!!!. . .” 1 page, posted Nov. 9, 2020 by user “@harleypasternak”. Retrieved from Internet: <<https://www.instagram.com/p/CHY8aH7jaL2>>. (Year: 2020).*

Three Minute Egg—Jumbo Classic, www.threeminuteegg.com, [online], [site visited Dec. 8, 2022], Available from internet, URL: <https://www.threeminuteegg.com/jumbo-eggs-hard-boiled/> (Year: 2022).*

Medibow, printed from website: <https://medibow.de/> on Apr. 8, 2021, 5 pages.

* cited by examiner

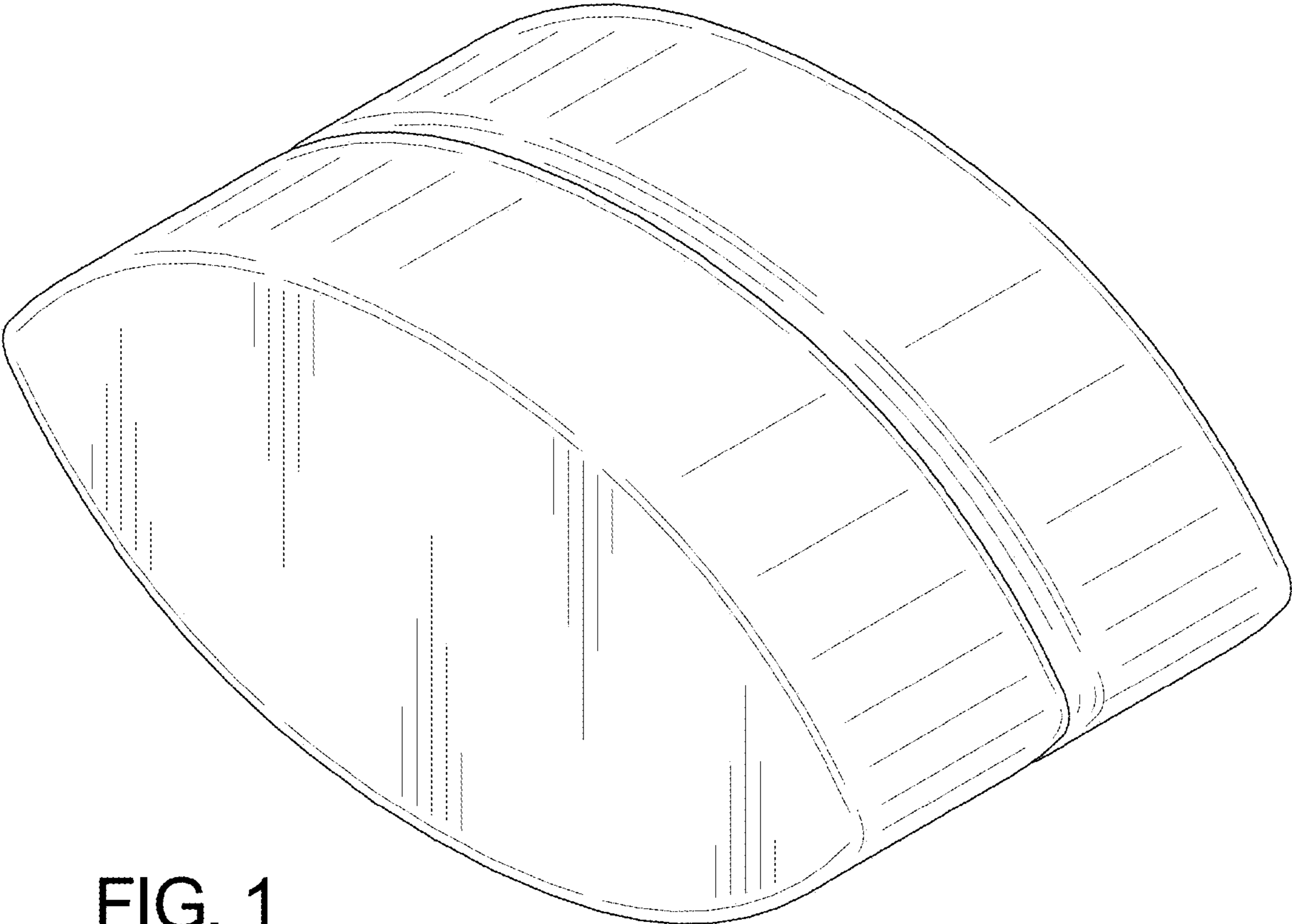


FIG. 1

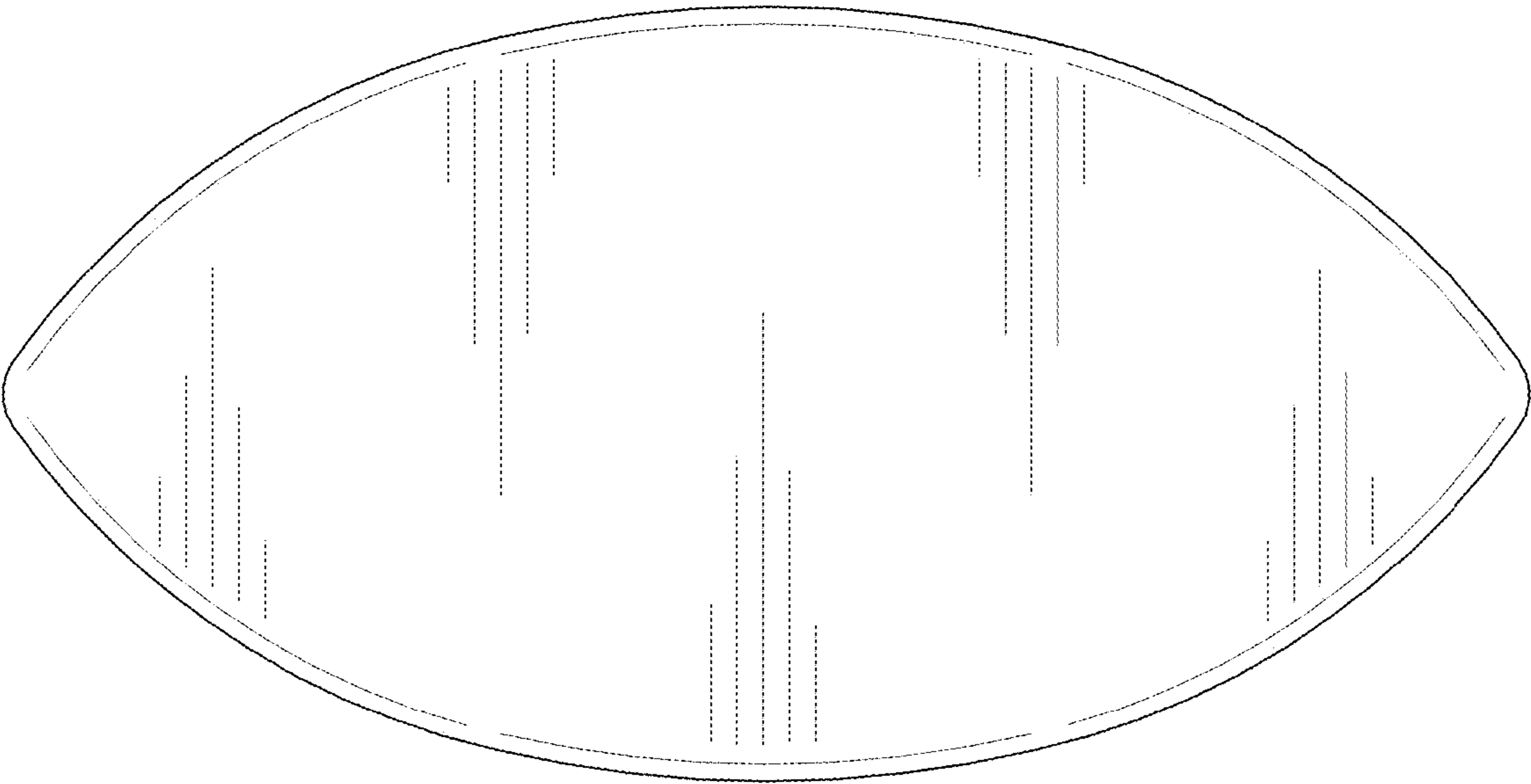


FIG. 2

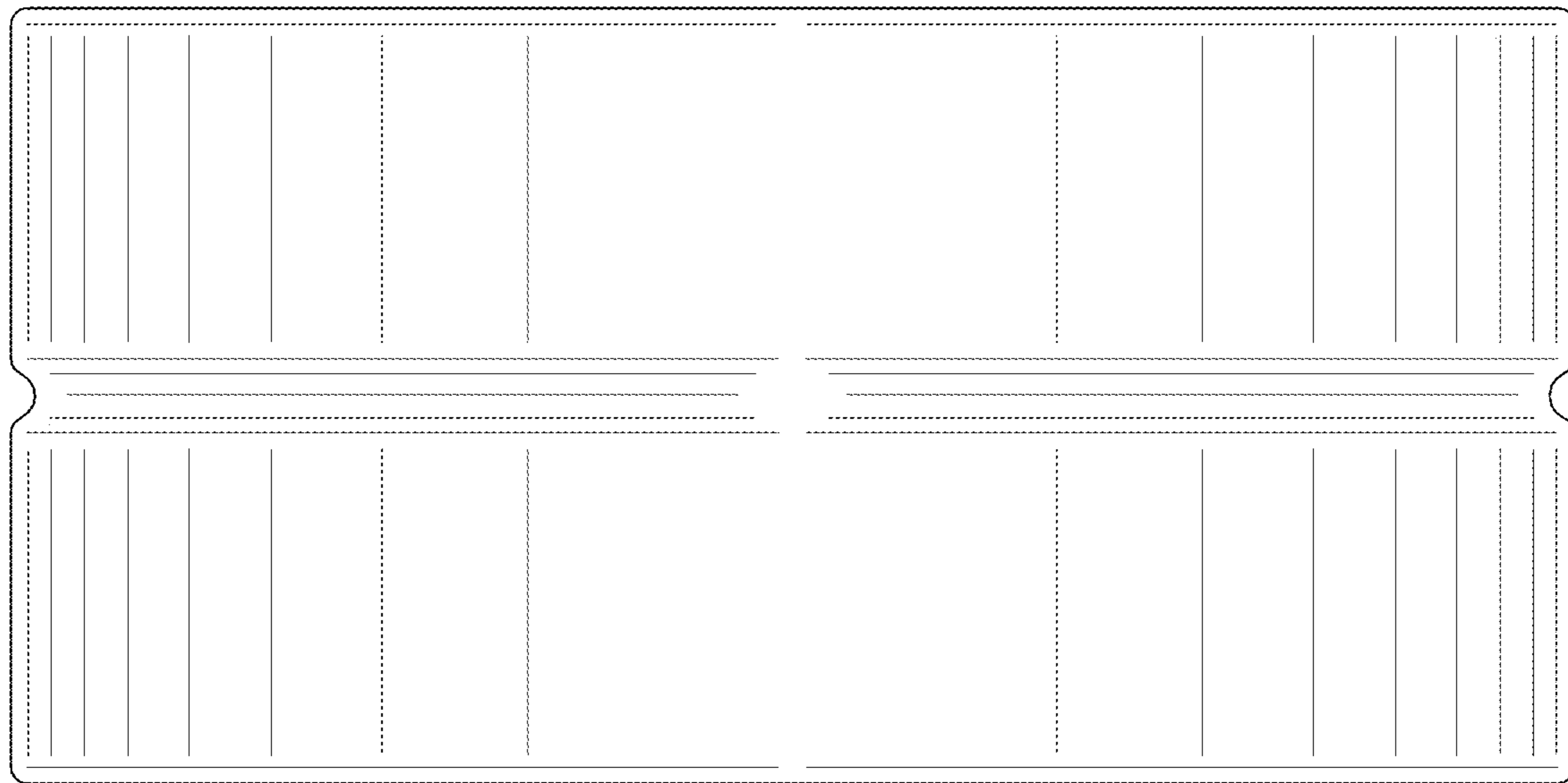


FIG. 3

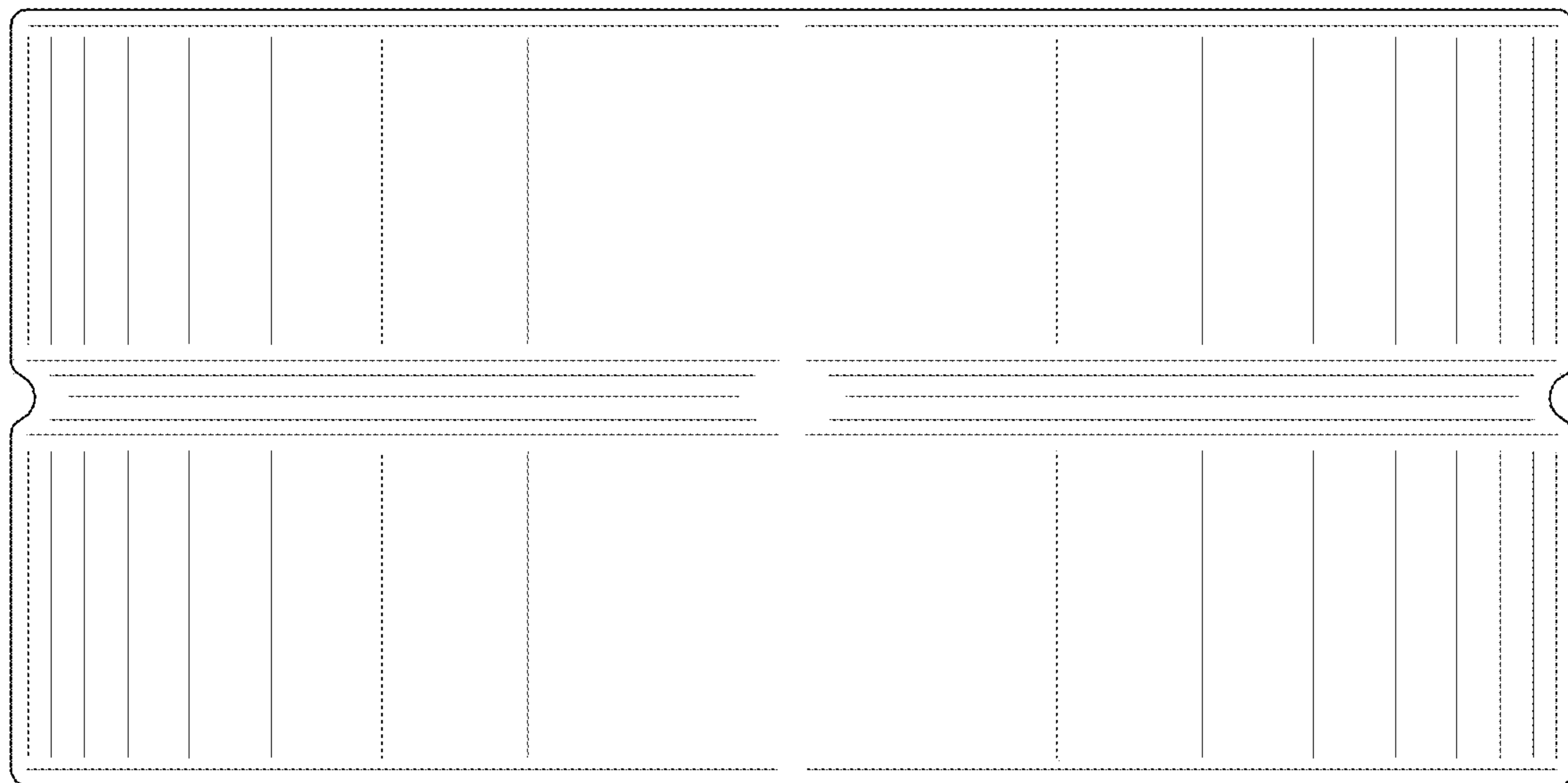


FIG. 4

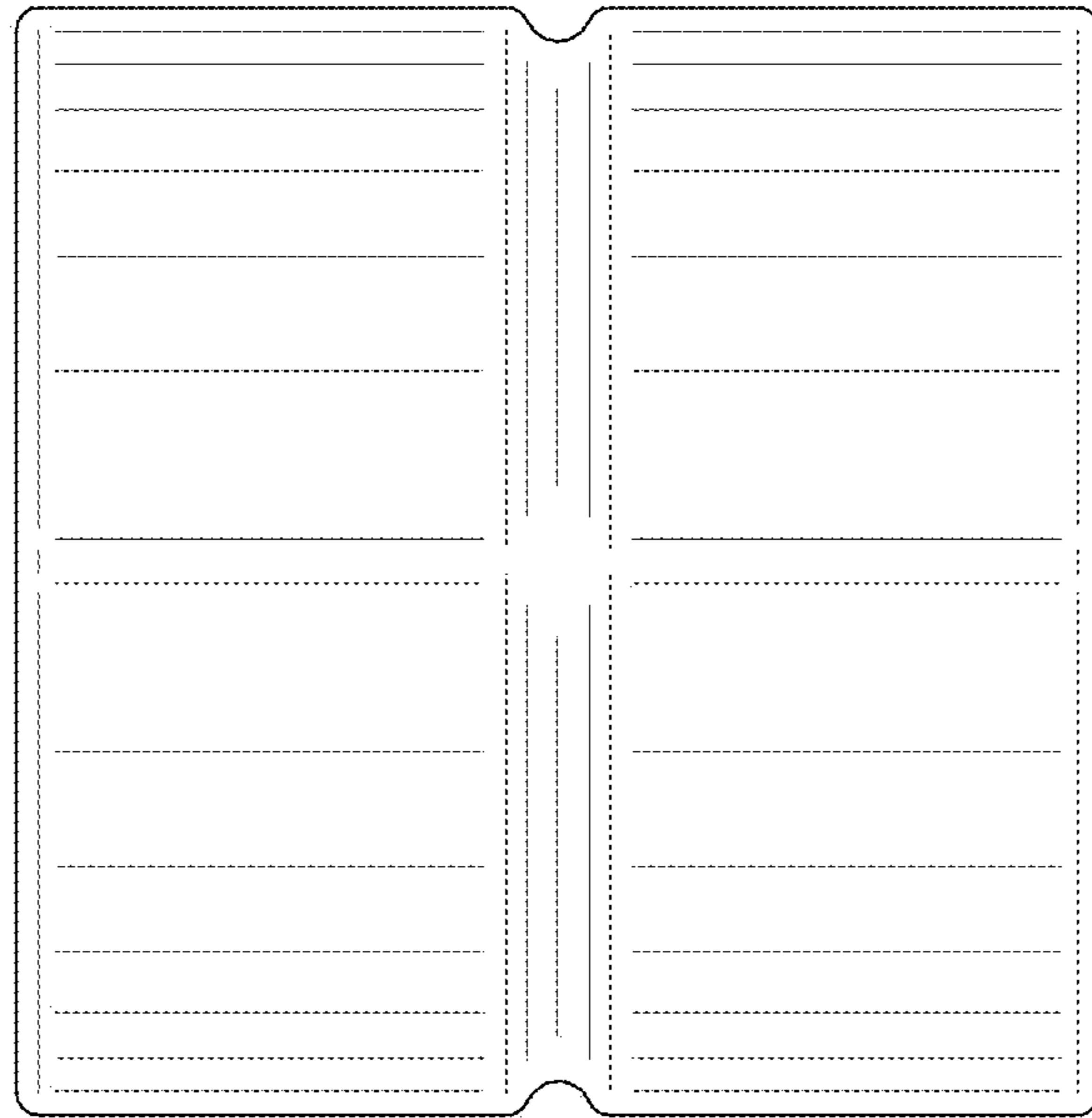


FIG. 5

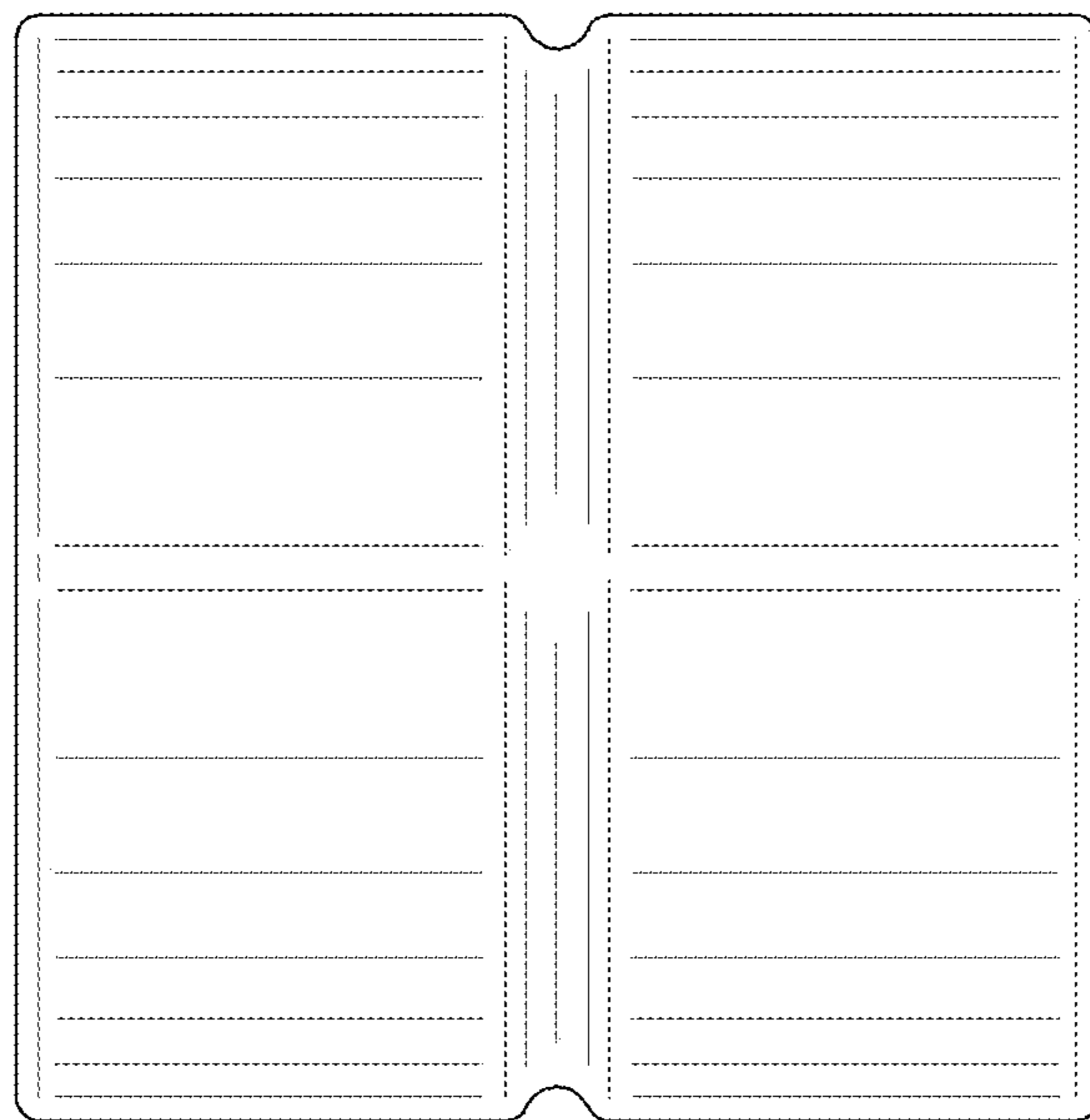


FIG. 6

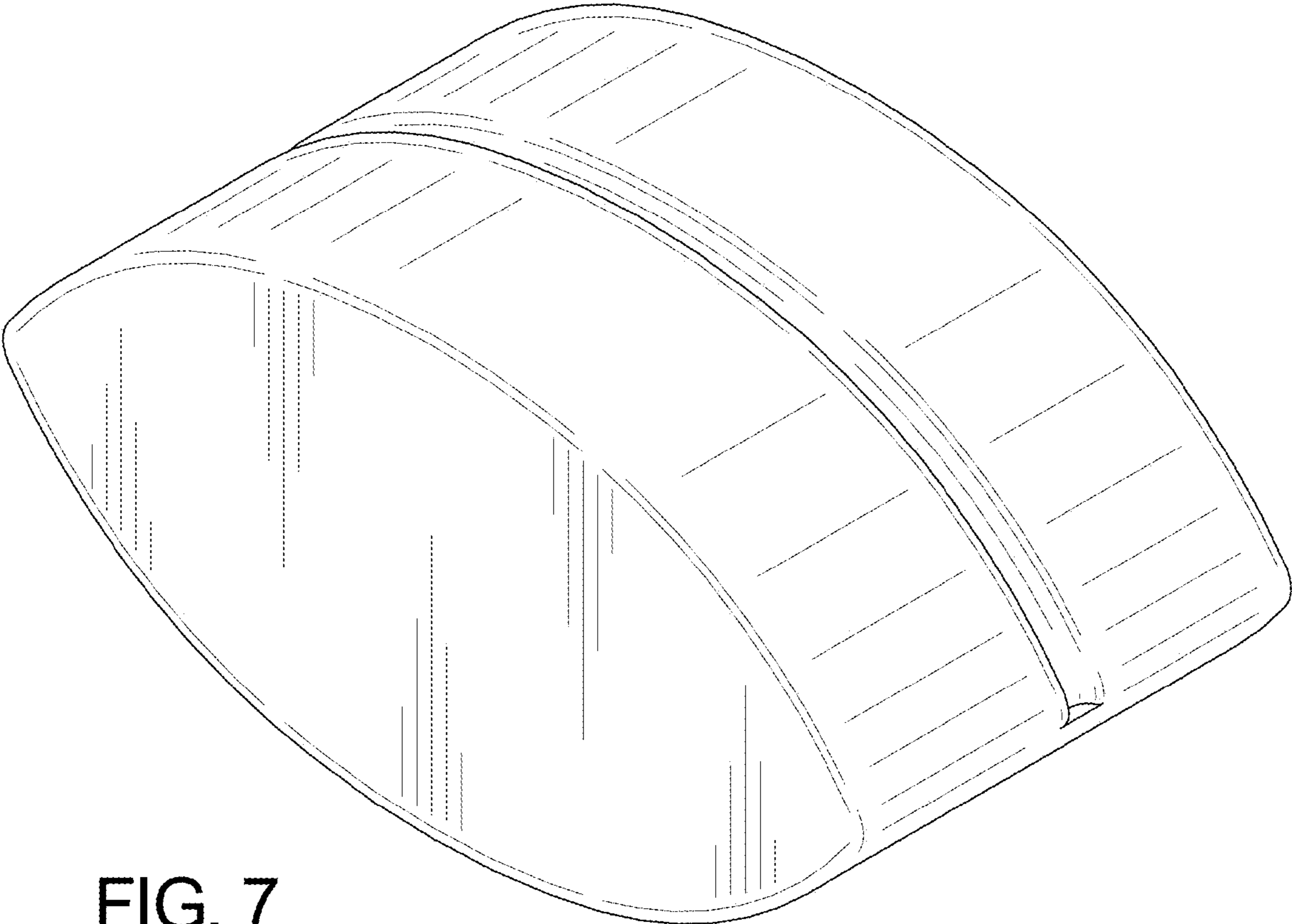


FIG. 7

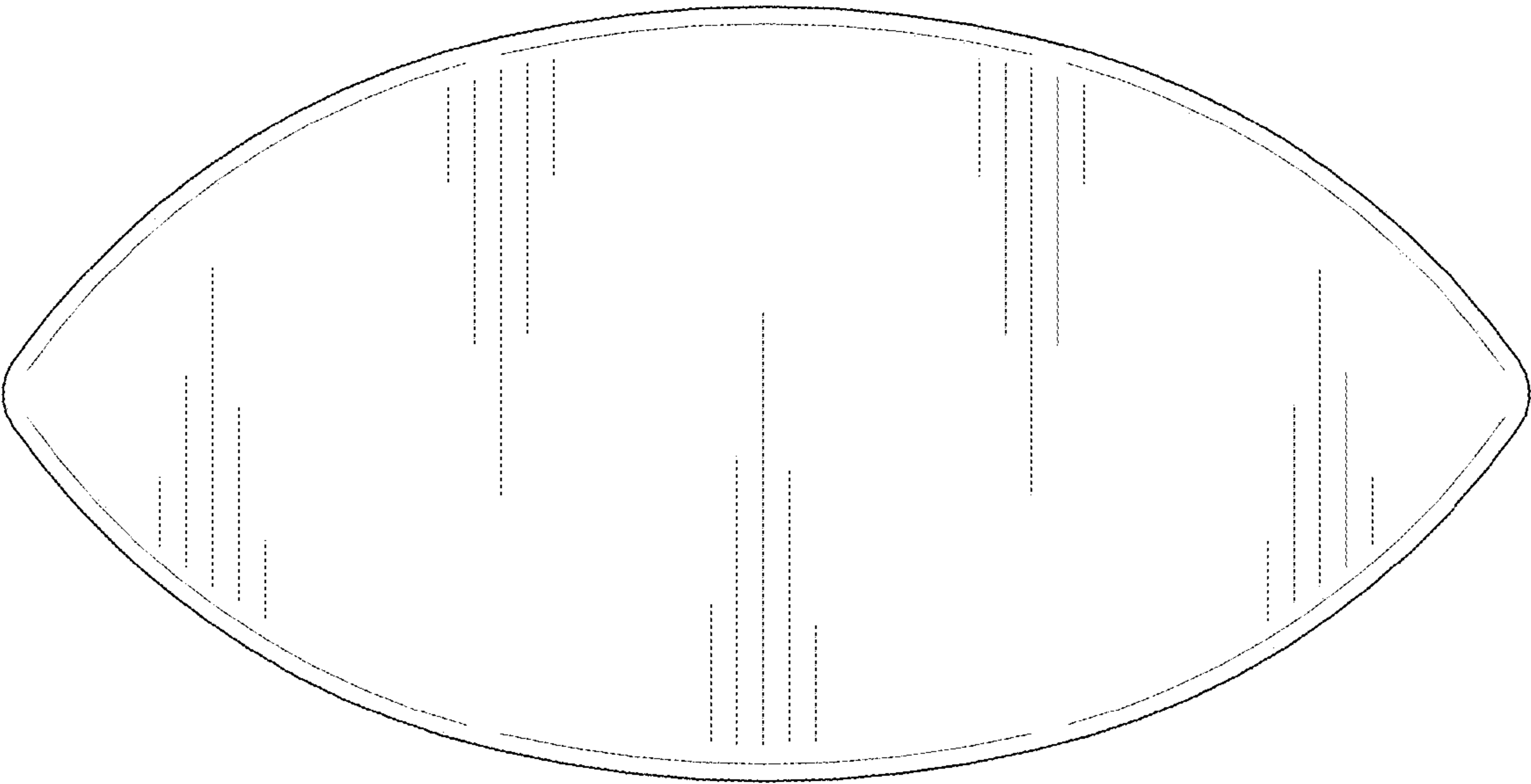


FIG. 8

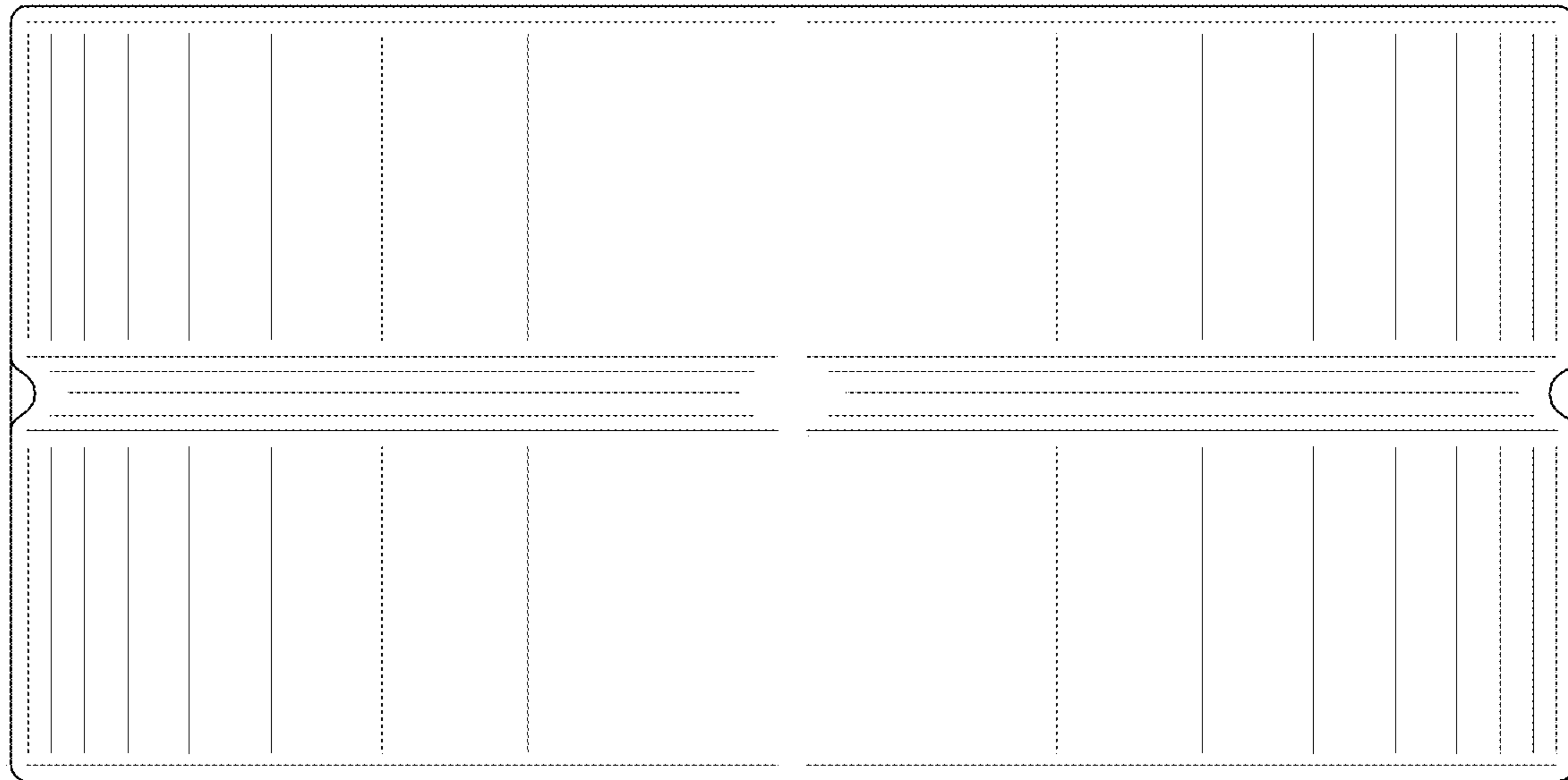


FIG. 9

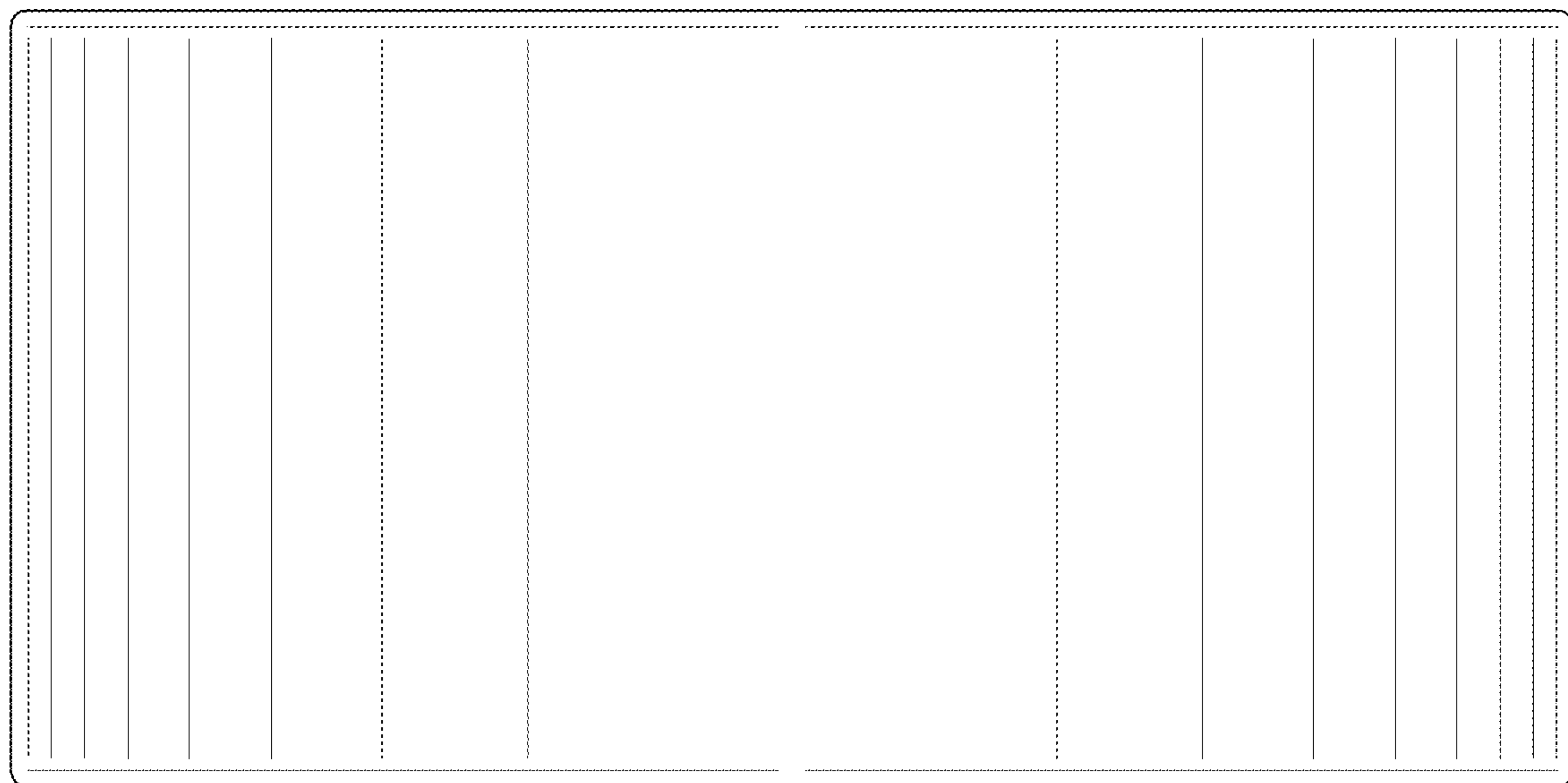


FIG. 10

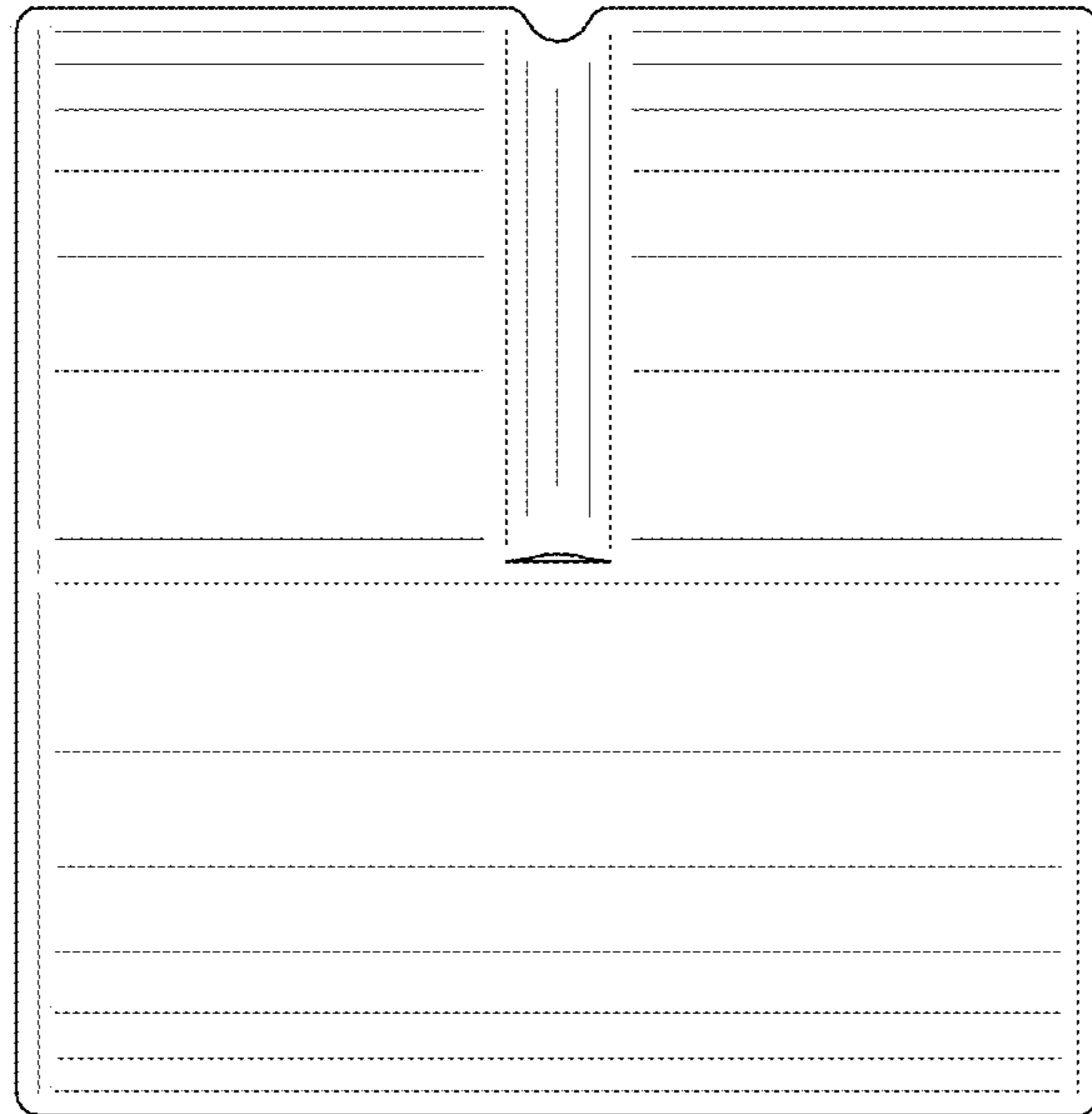


FIG. 11

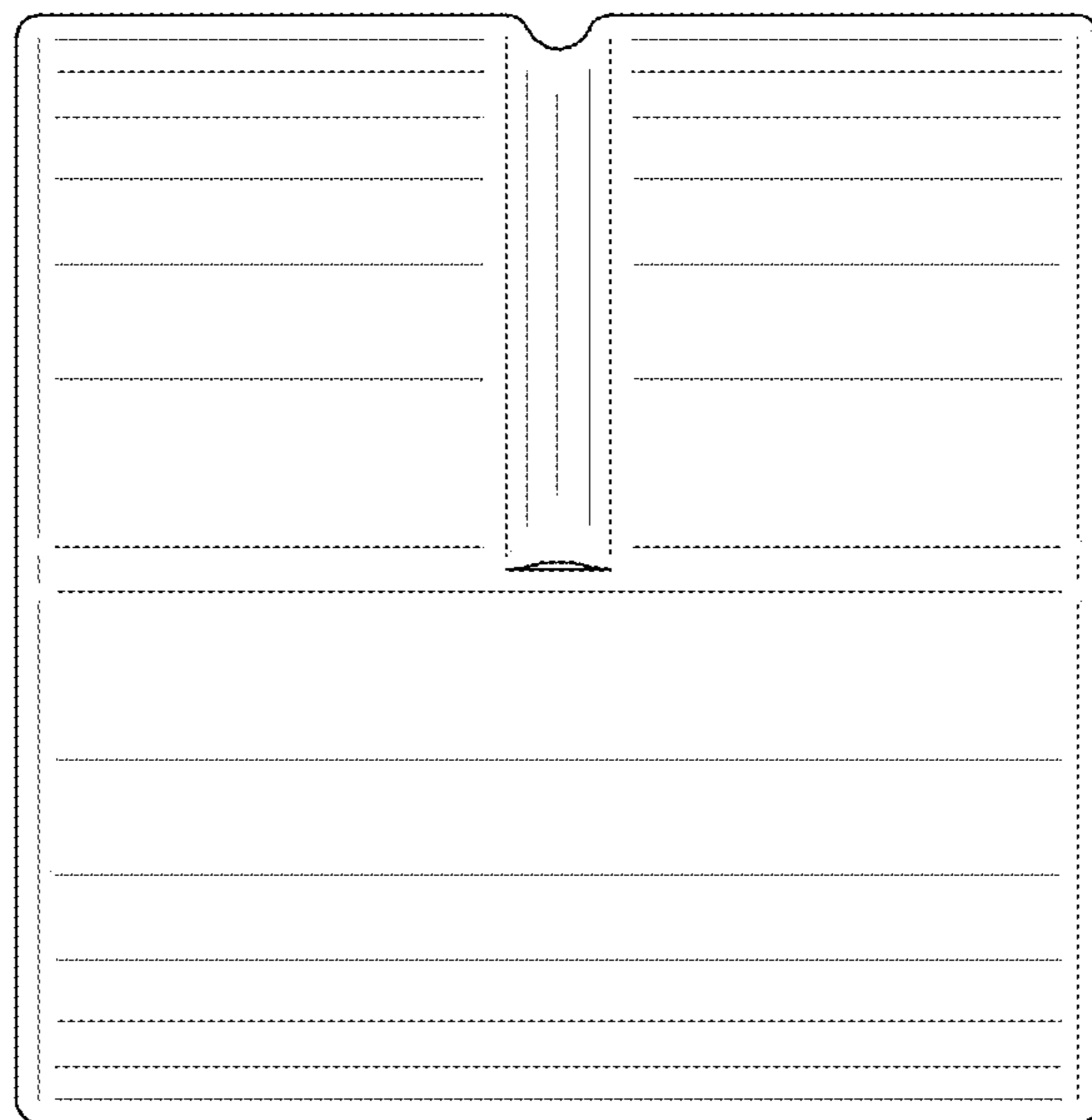


FIG. 12