



US00D989191S

(12) **United States Design Patent**
Jia et al.

(10) **Patent No.: US D989,191 S**
(45) **Date of Patent: ** Jun. 13, 2023**

(54) **TOY CONSTRUCTION PIECE**
(71) Applicant: **Full Sun LLC**, Sheridan, WY (US)
(72) Inventors: **Yin Jia**, Irvine, CA (US); **Peng Sun**, Irvine, CA (US)
(73) Assignee: **Full Sun LLC**, Sheridan, WY (US)
(**) Term: **15 Years**
(21) Appl. No.: **29/839,321**
(22) Filed: **May 19, 2022**
(51) **LOC (14) Cl. 21-01**
(52) **U.S. Cl.**
USPC **D21/505**
(58) **Field of Classification Search**
USPC D21/484-505
CPC A63H 33/04; A63H 33/065; A63H 33/08;
A63H 33/082; A63H 33/084; A63H
33/10; A63H 33/105; A63H 33/12
See application file for complete search history.

D872,193 S * 1/2020 Lewis D21/484
2013/0137339 A1* 5/2013 Tong A63H 33/062
446/85
2015/0240847 A1* 8/2015 Nosalik A63H 33/101
24/455

OTHER PUBLICATIONS

English machine-translation of Chinese Design Patent No. CN303409608S, issued Oct. 14, 2015.
English machine-translation of Chinese Design Patent No. CN304015158S, issued Jan. 18, 2017.
English machine-translation of Chinese Design Patent No. CN304909043S, issued Nov. 23, 2018.
English machine-translation of Chinese Design Patent No. CN305662669S, issued Mar. 27, 2020.

* cited by examiner

Primary Examiner — Cynthia M. Chin
(74) *Attorney, Agent, or Firm* — Kolitch Romano
Dascenzo Gates LLC

(57) **CLAIM**

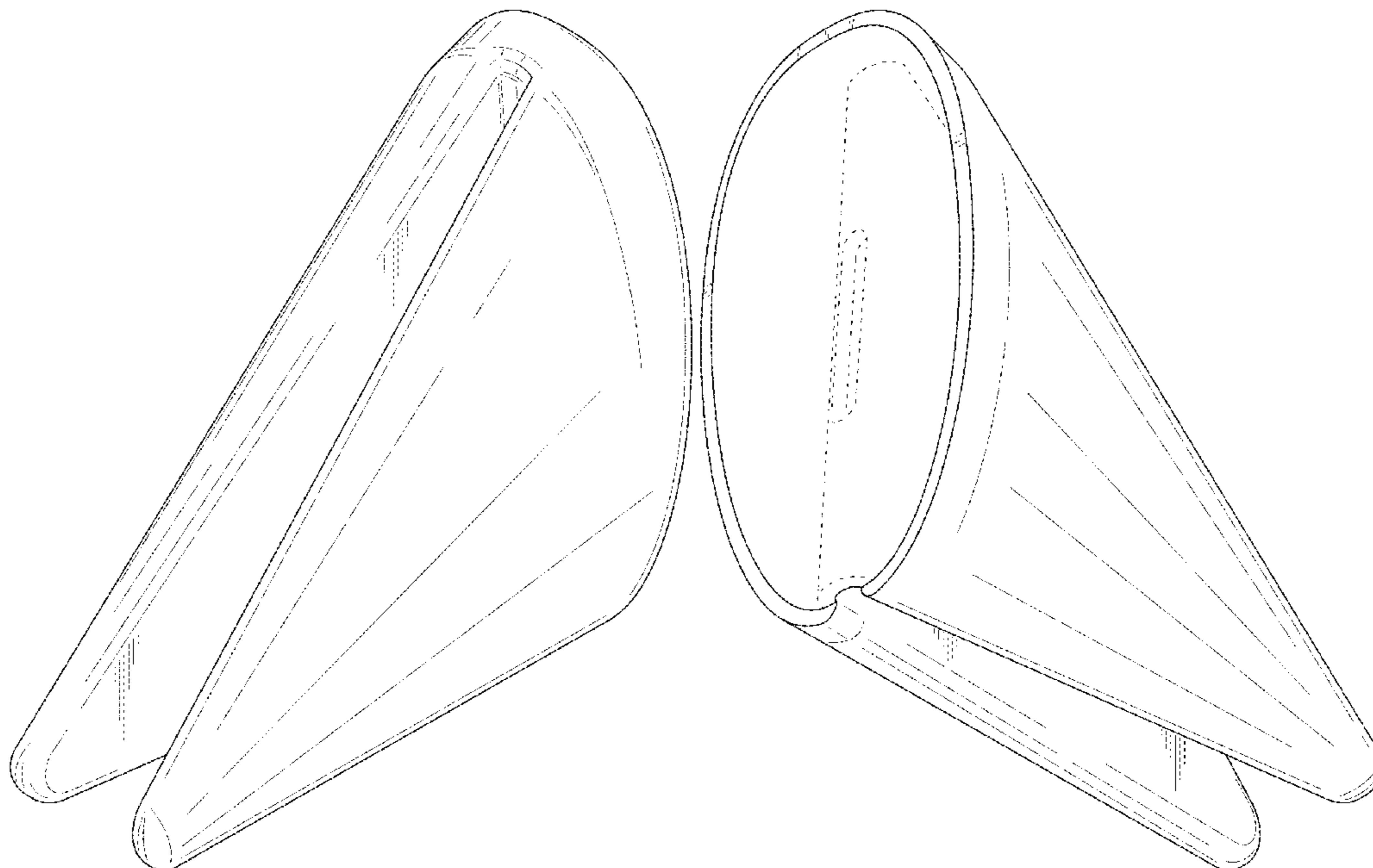
The ornamental design for a toy construction piece, as shown and described.

DESCRIPTION

FIG. 1 is a top front perspective view of a toy construction piece showing the new design;
FIG. 2 is a bottom rear perspective view thereof;
FIG. 3 is a front view thereof;
FIG. 4 is a rear view thereof;
FIG. 5 is a right side view thereof;
FIG. 6 is a left side view thereof;
FIG. 7 is a top view thereof; and,
FIG. 8 is a bottom view thereof.
The broken lines in the drawings illustrate portions of the toy construction piece that form no part of the claimed design.

1 Claim, 8 Drawing Sheets

(56) **References Cited**
U.S. PATENT DOCUMENTS
4,257,207 A * 3/1981 Davis G09F 15/0068
52/631
4,365,454 A * 12/1982 Davis A47B 96/205
52/631
5,422,158 A * 6/1995 Cheng A63F 9/088
428/126
7,108,577 B2* 9/2006 Peters A63H 33/084
446/124
D652,457 S * 1/2012 Robins D21/491
D856,431 S * 8/2019 Kipling D21/484
10,507,401 B1* 12/2019 Tong A63H 33/062



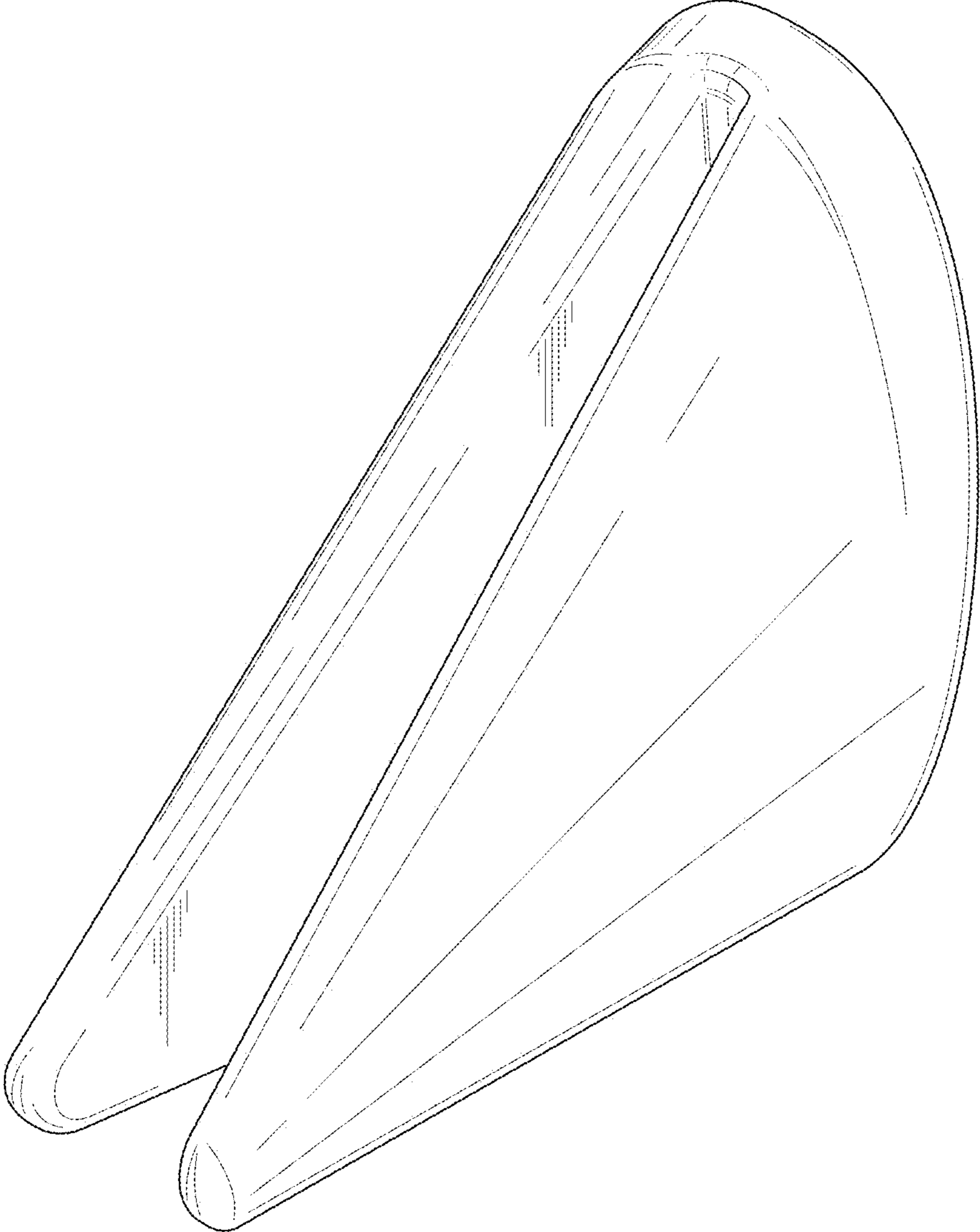


FIG. 1

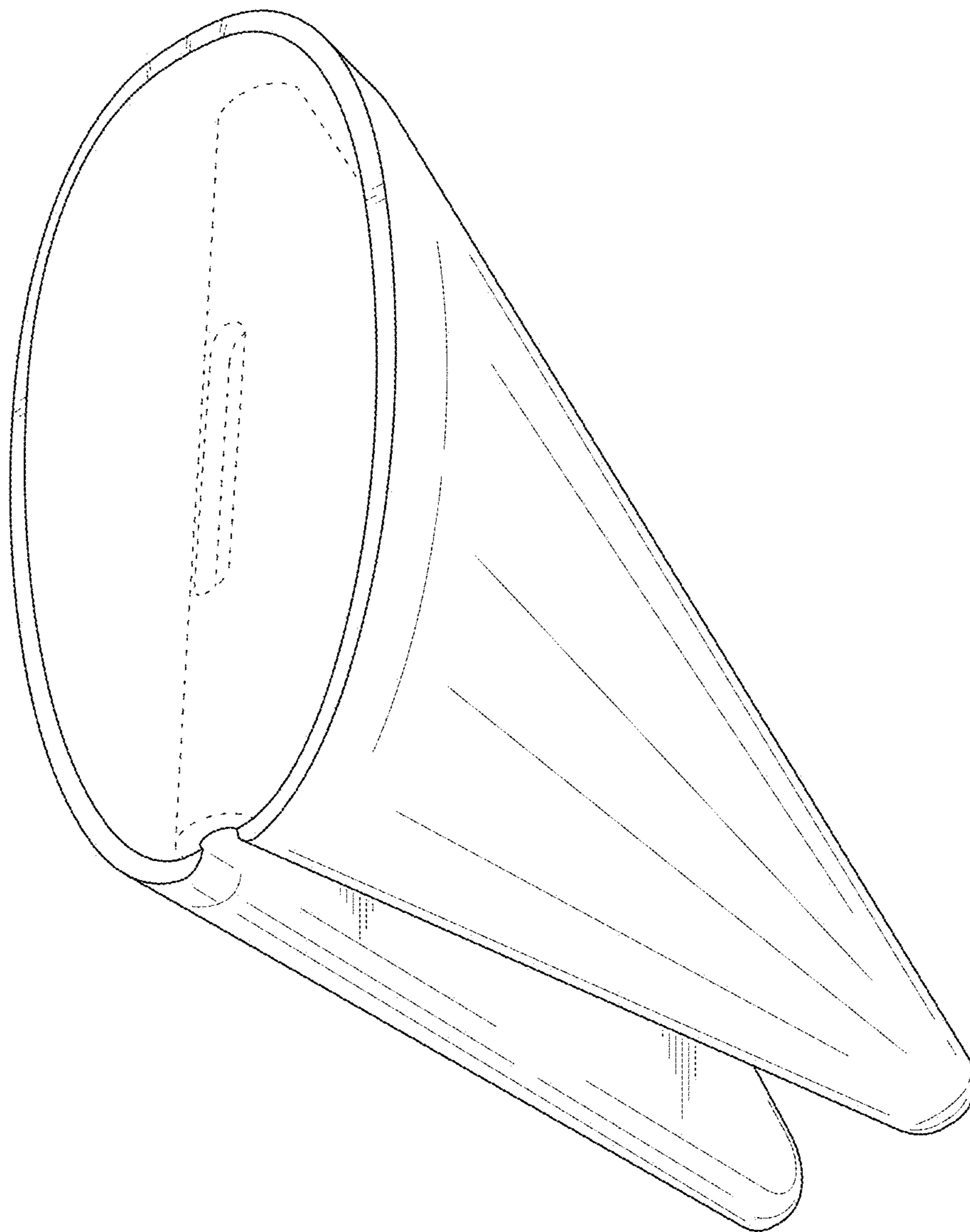


FIG. 2

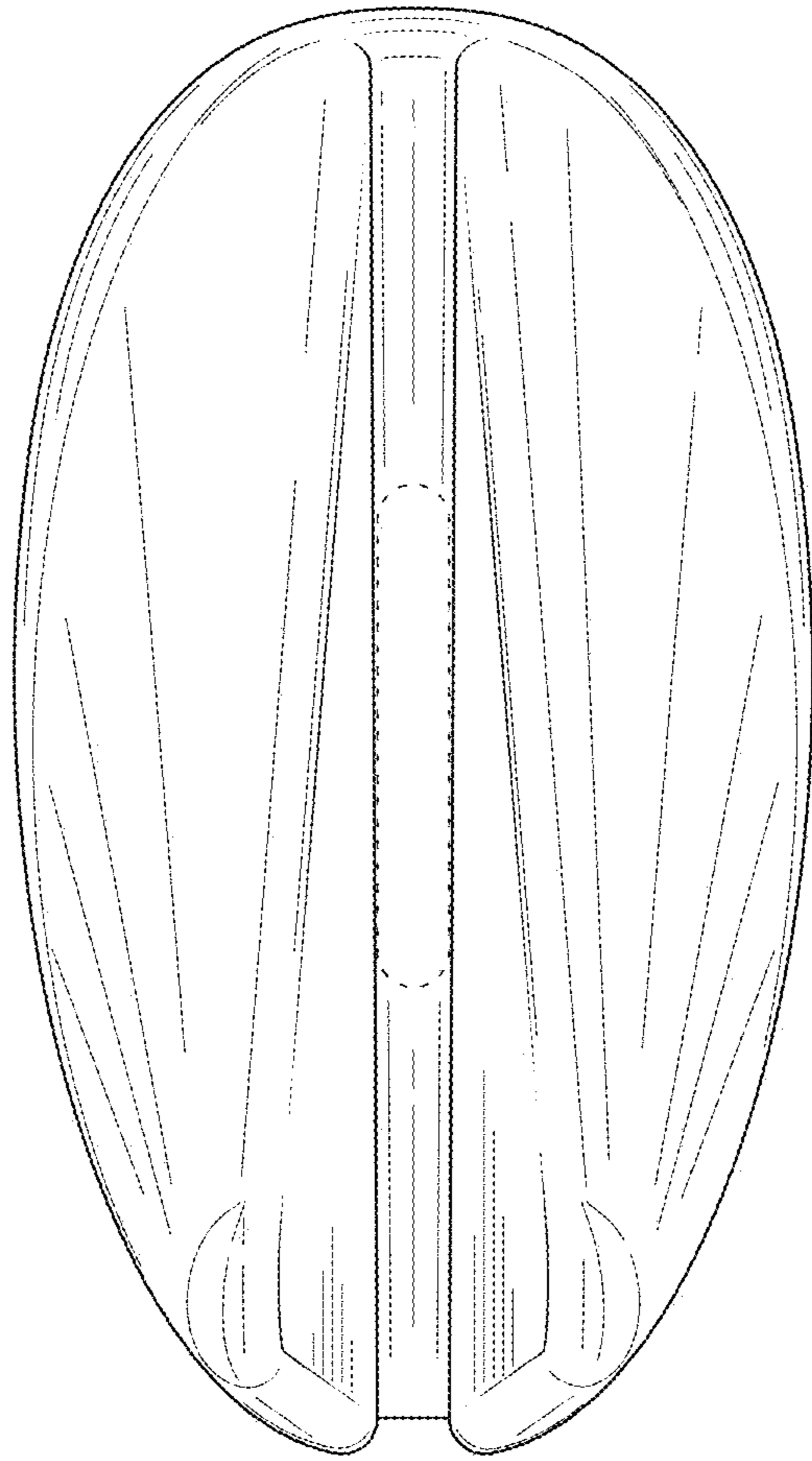


FIG. 3

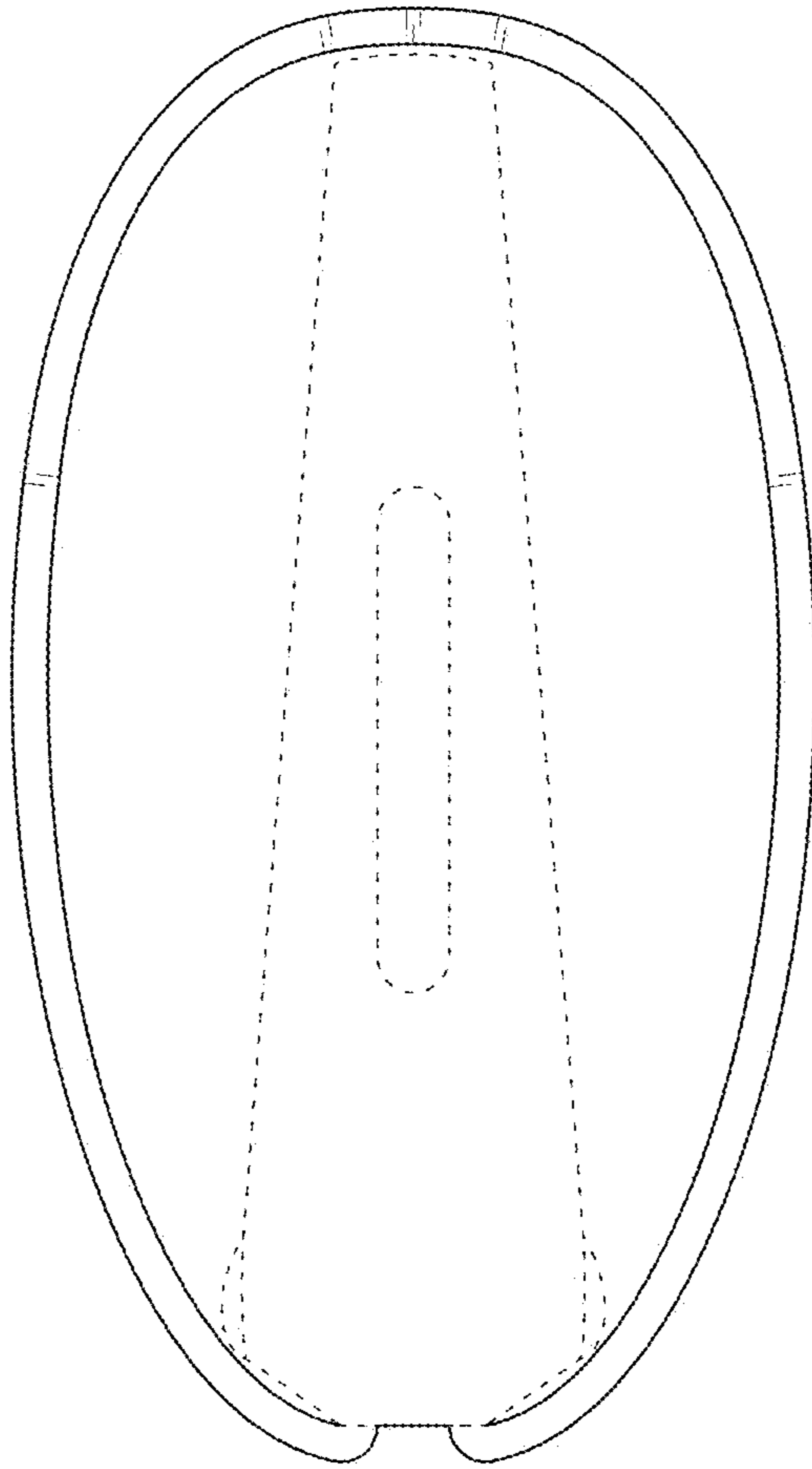


FIG. 4

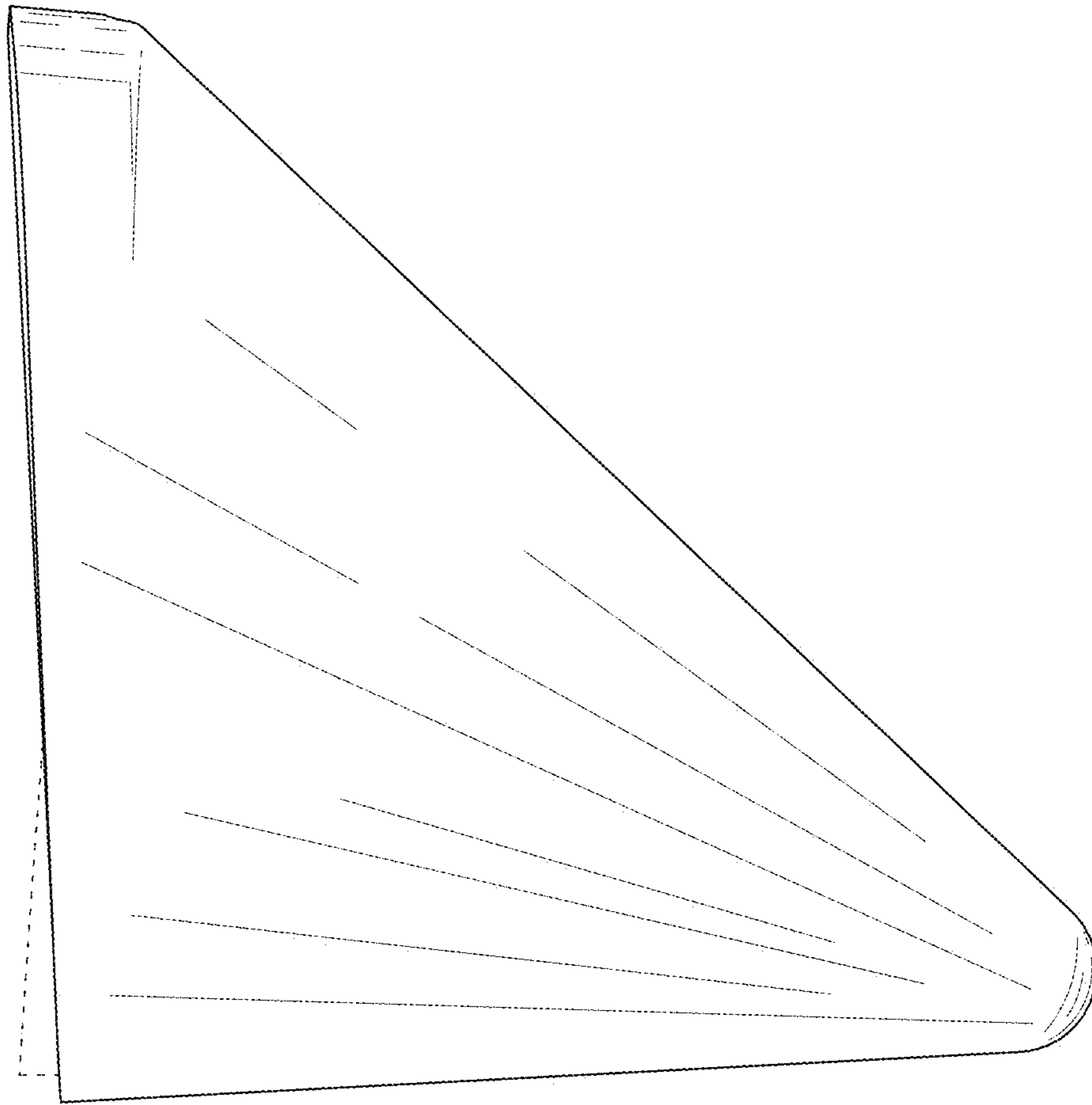


FIG. 5

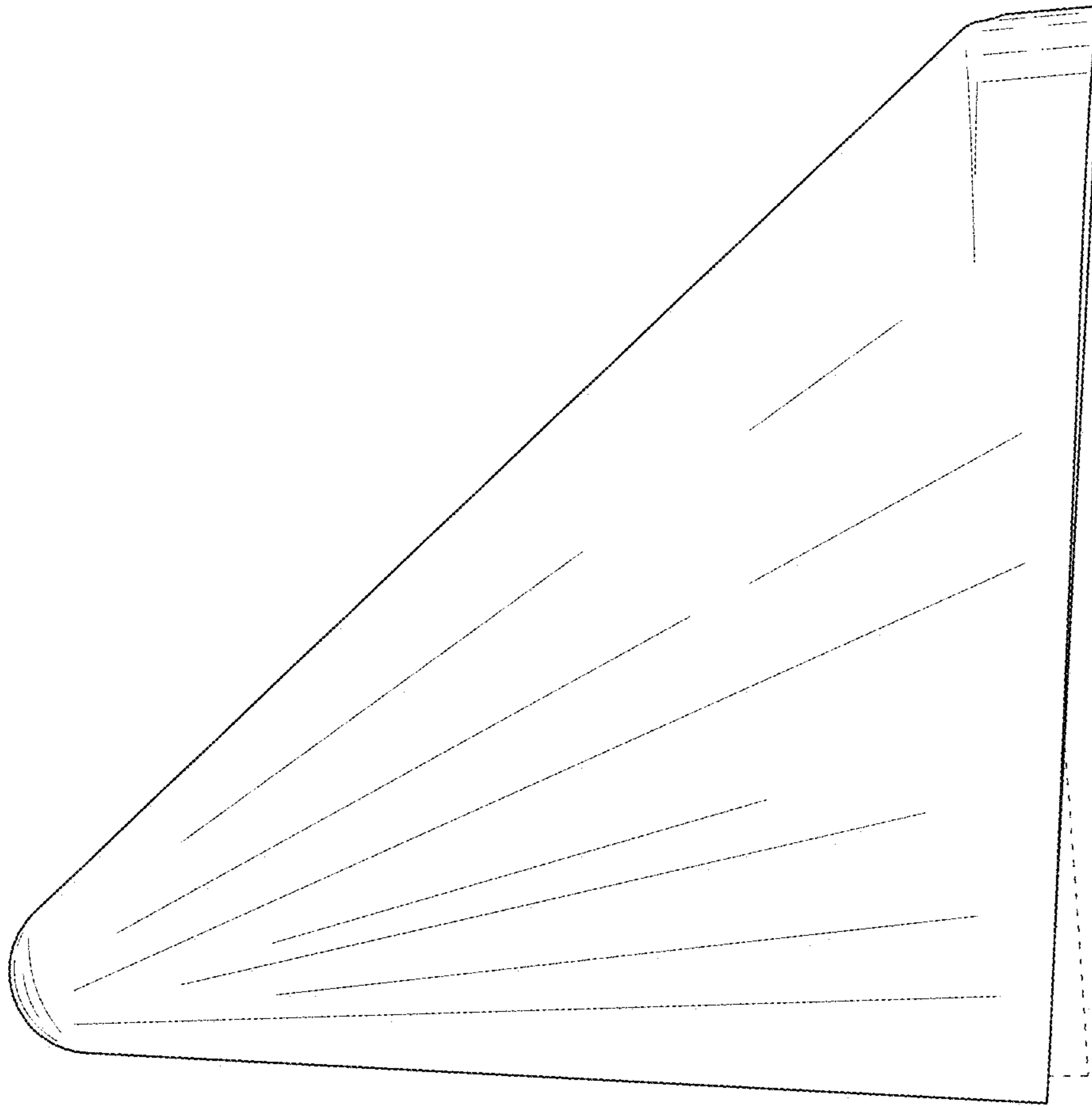


FIG. 6

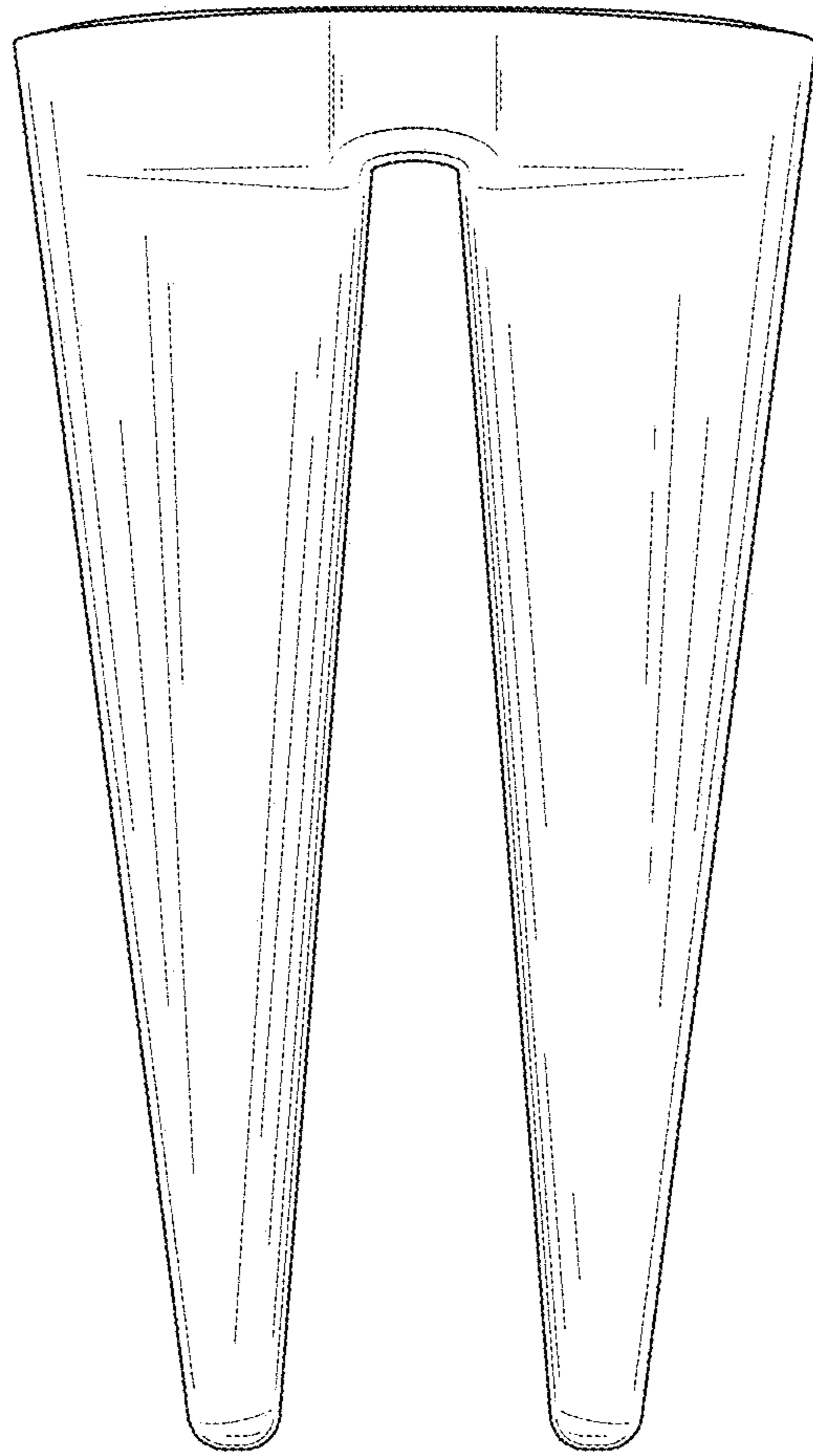


FIG. 7

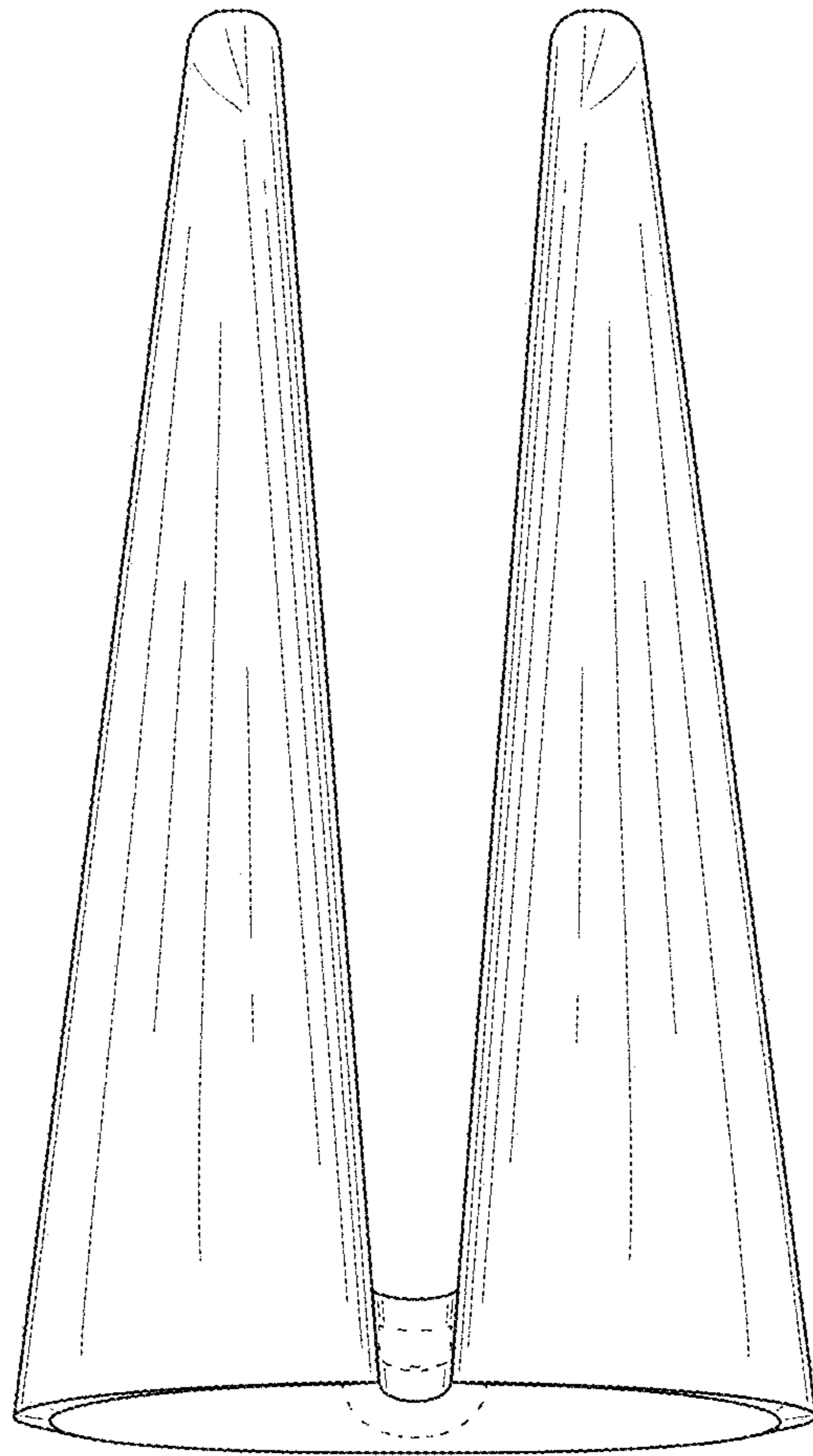


FIG. 8