



US00D989189S

(12) **United States Design Patent**
Zhou

(10) **Patent No.:** **US D989,189 S**
(45) **Date of Patent:** **** Jun. 13, 2023**

- (54) **BASE FOR STACKING TOY**
- (71) Applicant: **Hangzhou Yusheng E-commerce Co., Ltd**, Hangzhou (CN)
- (72) Inventor: **Yuhao Zhou**, Hangzhou (CN)
- (**) Term: **15 Years**
- (21) Appl. No.: **29/814,296**
- (22) Filed: **Nov. 4, 2021**
- (51) **LOC (14) Cl.** **21-01**
- (52) **U.S. Cl.**
USPC **D21/471**
- (58) **Field of Classification Search**
USPC D21/300, 301, 304, 608, 310, 313, 471,
D21/478; D6/303, 315, 316, 319, 320,
D6/323, 328, 653.13, 656.15, 665, 524,
D6/540, 545, 552
CPC A63F 7/3622; A63F 3/00094; A63F
3/00574; A63B 67/06
See application file for complete search history.

D291,583 S *	8/1987	Bateman	D21/471
D310,394 S *	9/1990	Roy	D21/471
D330,393 S *	10/1992	Grant	D26/38
D341,382 S *	11/1993	Deming	D21/304
D366,286 S *	1/1996	Kino	D21/471
D378,687 S *	4/1997	Clark	D21/304
D388,127 S *	12/1997	Cavallone, Sr.	D21/304
D442,073 S *	5/2001	Lyndon	D8/358
D453,359 S *	2/2002	Naslund	D21/301
D739,253 S *	9/2015	Davidovici	D9/604
D772,344 S *	11/2016	Moscatelli	D21/478
D795,352 S *	8/2017	Moscatelli	D21/478
D802,680 S *	11/2017	Moscatelli	D21/478
D969,227 S *	11/2022	Wang	D21/468
2022/0143480 A1 *	5/2022	Lieb	A63B 67/06

* cited by examiner

Primary Examiner — Mehri F Bajoul
(74) *Attorney, Agent, or Firm* — ScienBiziP, P.C.

(57) **CLAIM**

The ornamental design for a base for stacking toy, as shown and described.

DESCRIPTION

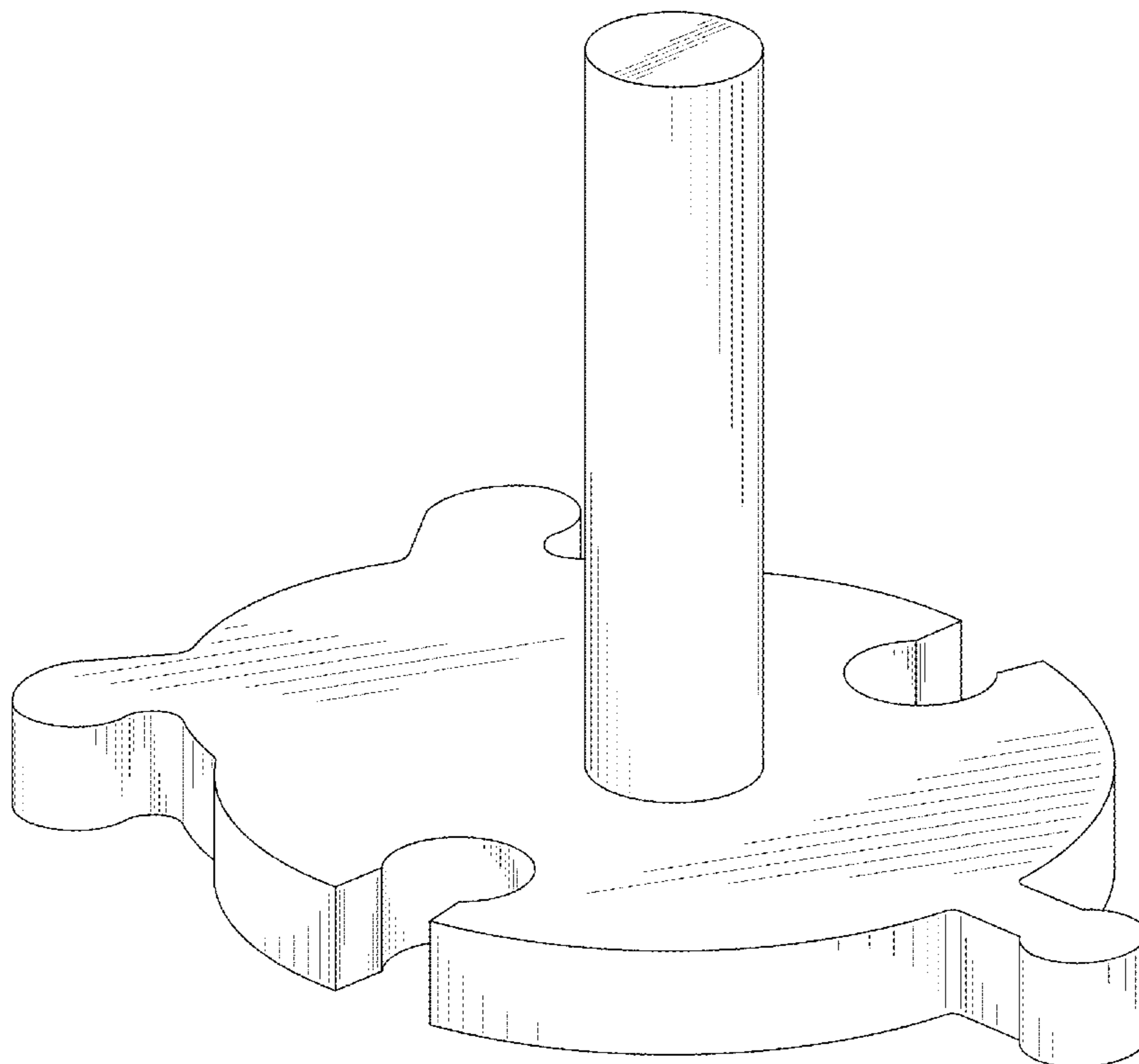
FIG. 1 is a front left bottom perspective view of a base for stacking toy showing my new design.
FIG. 2 is a front elevation view thereof.
FIG. 3 is a rear elevation view thereof.
FIG. 4 is a left-side elevation view thereof.
FIG. 5 is a right-side elevation view thereof.
FIG. 6 is a top plan view thereof; and,
FIG. 7 is a bottom plan view thereof.

1 Claim, 7 Drawing Sheets

(56) **References Cited**

U.S. PATENT DOCUMENTS

407,713 A *	7/1889	Wilson	A63F 7/3622
			D21/310
3,556,526 A *	1/1971	Currie	A63F 3/00094
			273/282.3
D257,745 S *	12/1980	Abraham	D21/304
D264,483 S *	5/1982	Raymond	D21/304
D279,393 S *	6/1985	Hilko	D21/471



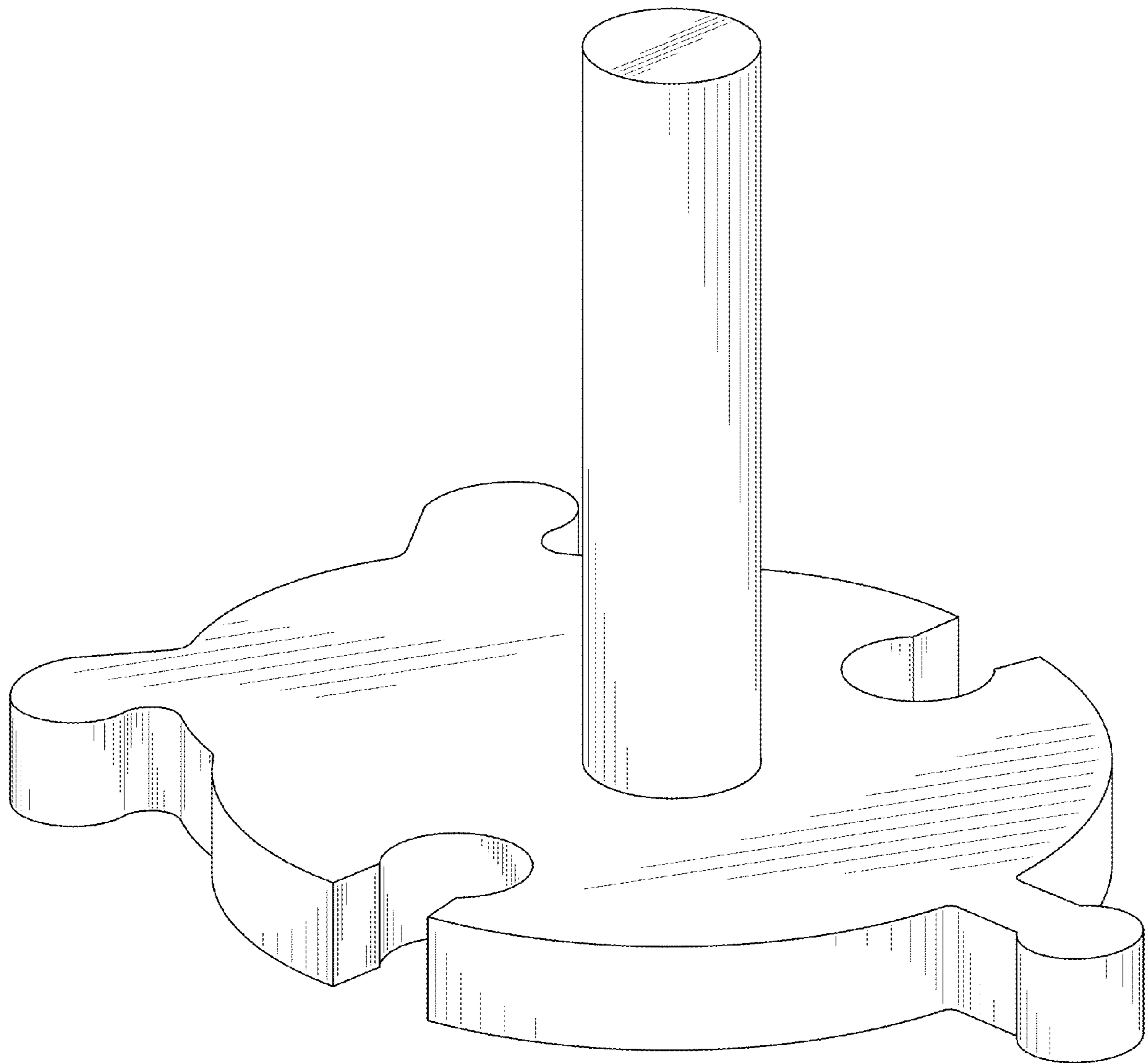


FIG. 1

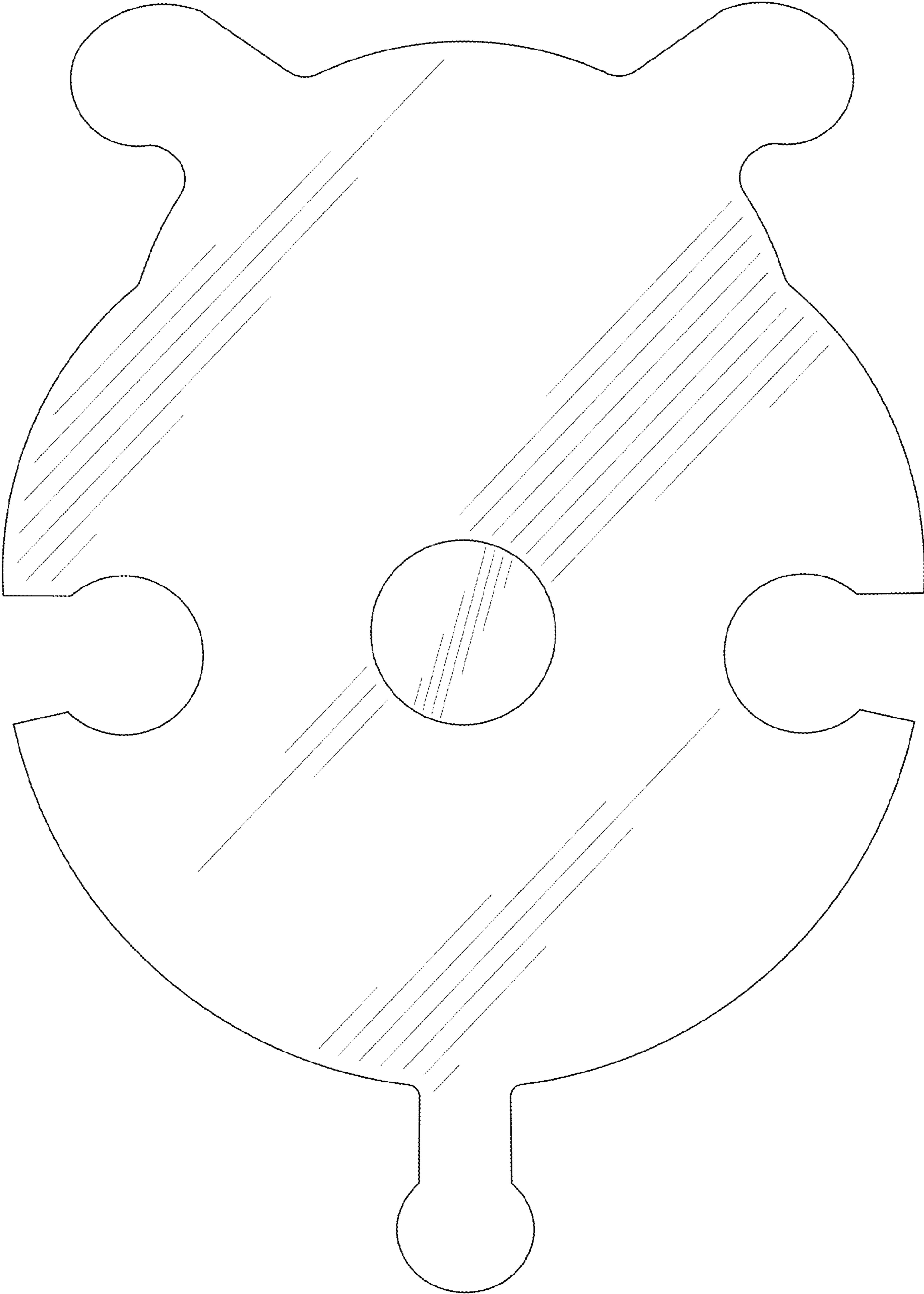


FIG. 2

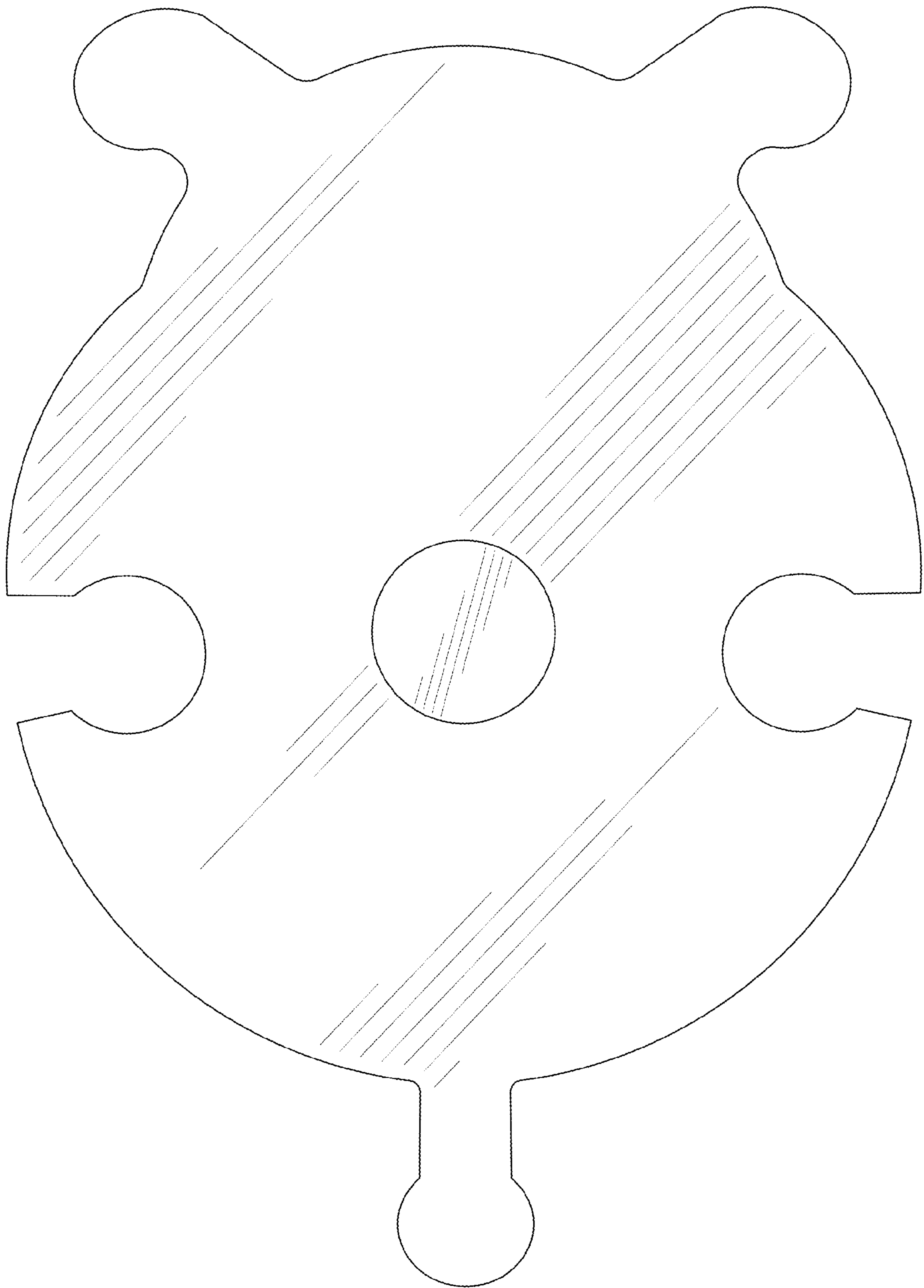


FIG. 3

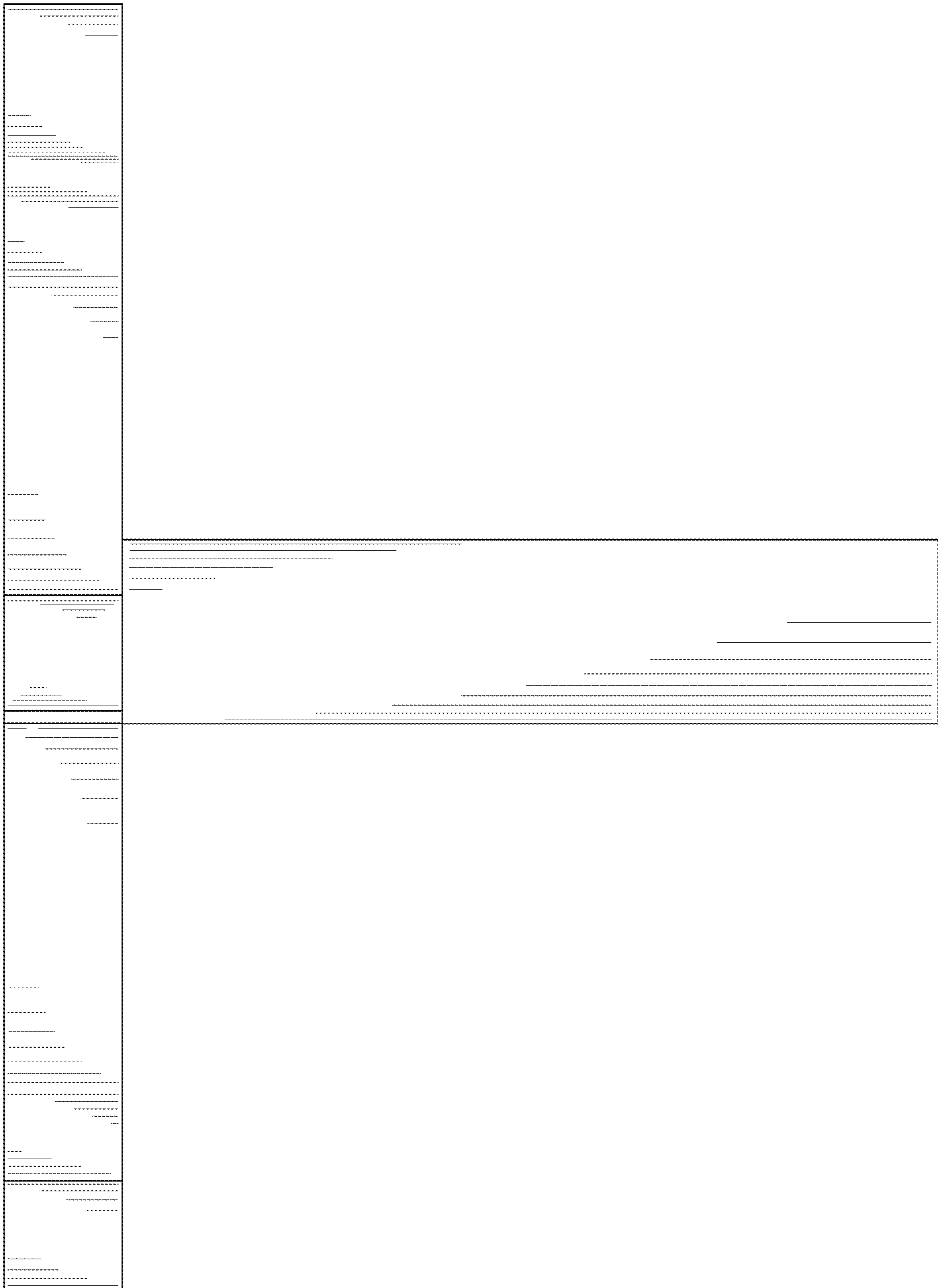


FIG. 4

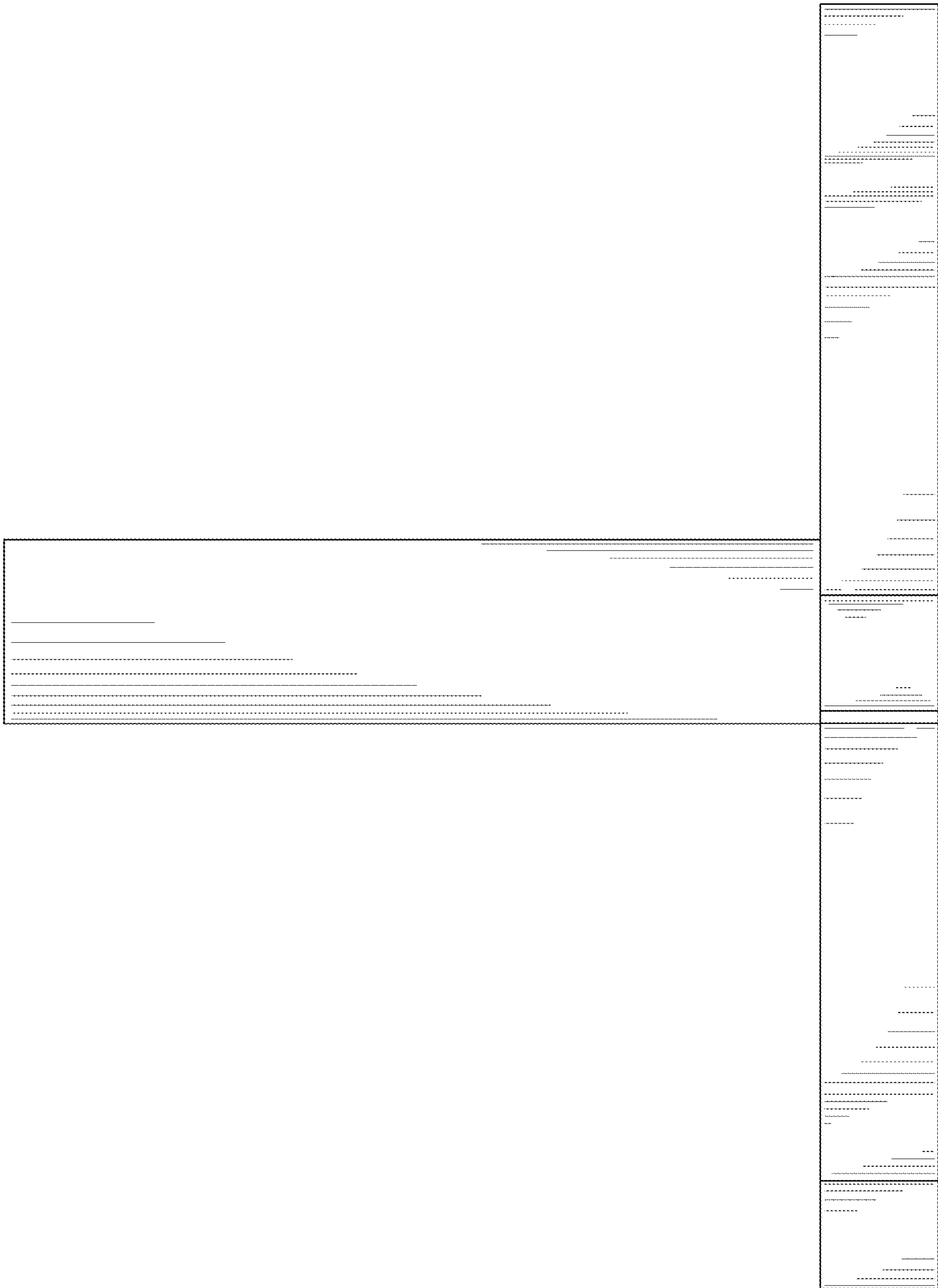


FIG. 5

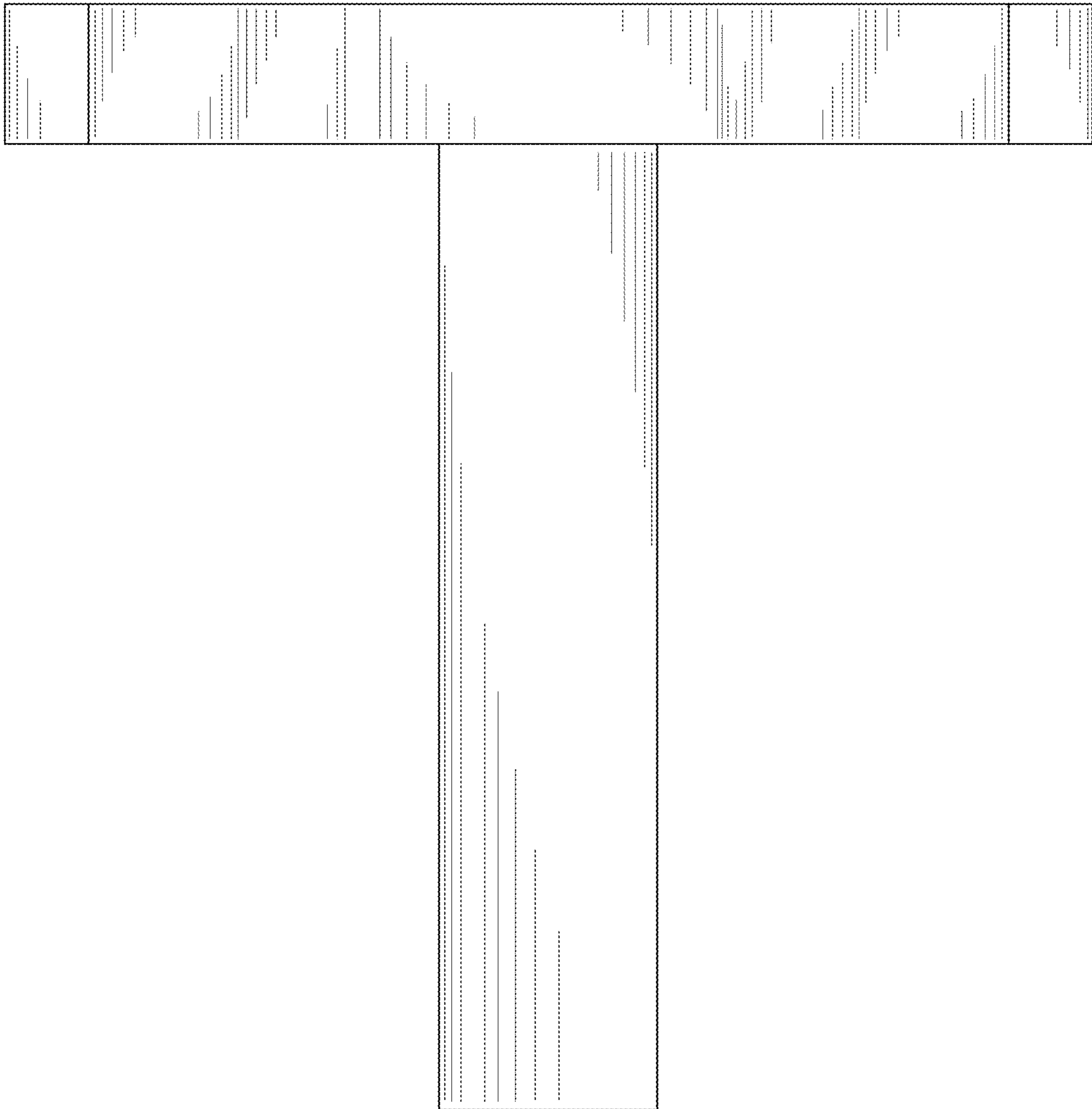


FIG. 6

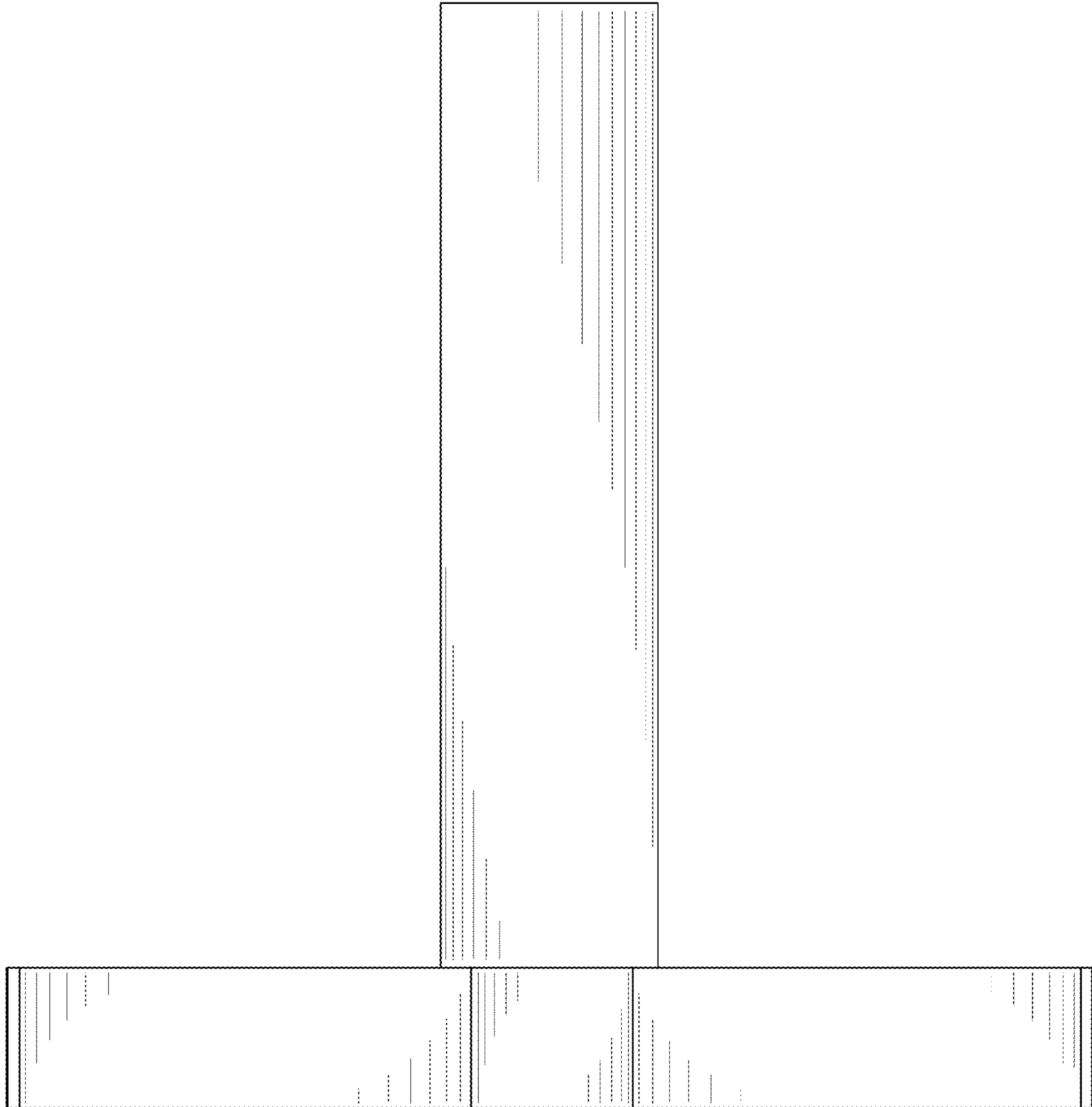


FIG. 7